

H  
I  
L  
L  
S  
  
T  
H  
U  
N  
D  
E  
R  
B  
I  
R  
D  
  
C  
E  
N  
T  
E  
R

## Quick Reference Index 1955-57 Thunderbird

	Section	Illustration	Text
	Index.....		3-6
	General Information, Paint Codes & Trim Codes.....		7-8
	Interior, Upholstery.....	8	9-13
	Repaint Body Gasket & Seal Kits.....		14
	Exterior Chrome & Emblems Kits.....		15
	Radio, Speakers, Antenna's, Radio Parts.....		16-17
	Stamp Kit Set.....		17
<b>H</b>	Wheels & Brake	(1000-2999).....	18-19.....20-25, 29
<b>I</b>	Suspension & Steering	(3000-3999).....	26-28.....25-35, 39
<b>L</b>	Rear Axle & Drive train	(4000-4999).....	36-37.....38-39
<b>L</b>	Exhaust System & Frame	(5000-5999).....	26, 37.....41-42
<b>S</b>	Rear Suspension	(5000-5999).....	37.....40-41
	Engine	(6000-6999).....	43-44.....45-47
<b>T</b>	Transmission Standard-Automatic	(7000-7999).....	48-50.....51-55
<b>H</b>	Cooling System & Grille	(8000-8999).....	56-57.....58-60
<b>U</b>	Fuel & Carburetor	(9000-9999).....	61-64.....65-70
<b>N</b>	Battery, Generator & Starter	(10000-11999).....	71.....70-71, 73-76
<b>D</b>	Ignition, Electrical	(12000-12999).....	71-72.....76-79
<b>E</b>	Wiring, Horns, & Lamps	(13000-15999).....	71, 80-82.....79, 83-91, 94
<b>R</b>	Hood & Fender	(16000-16999).....	92.....94-96
<b>B</b>	Windshield Wiper & Washer	(17000-17999).....	93.....97-99
<b>I</b>	Bumpers, Tachometer & Speedometer	(17000-17999).....	55, 93.....96-100
<b>R</b>	Heating, Air Conditioner & Shocks	(18000-19999).....	102.....101, 103-106
<b>D</b>	Clocks	(18000-18999).....	103, 107.....103
	Firewall & Ventilation	(00000).....	108, 110.....106, 109-110
<b>C</b>	Dash, Pillar & Windshield	(00030).....	107-108.....111-113
<b>E</b>	Doors & Windows & Fender Skirts	(20000-29999).....	108, 120, 123.....114-119
<b>N</b>	Trunk	(40000-49999).....	121, 150, 158.120-121, 124-125
<b>T</b>	Top, Roof & Swing Bar	(50000-59999).....	121-122.....125-130
<b>E</b>	Seat	(60000-69999).....	8, 123, 131..9-10, 130, 131
<b>R</b>	Hardware Section Nuts, Bolts, Clips, Fittings, Etc.....		131-137
	Kits-Attaching.....		137-141
	Literature, Manual & Decals.....		142-145
	Borgeson Power Steering, Rack-n-Pinion Kits, Tilt Steering.....		143
	Lizard Skin.....		143
	Accessories, Tote Bags.....		145-148
	Adhesives, Paints, Eastwood Paints, Vinyl Dyes, ZDDP Oil Additive.....		146-147
	Tires.....		148
	Sheet Metal, Repair Panels.....		150-158

On your way to Hill's Thunderbird Center, GPS Settings are:

N38-59.380 W81-53.680

866-949-1956

"Like" us on Facebook

866-949-1956

<b>A</b>	
Accelerator	
Linkage	66, 70
Pedal	69
Accessories	145-148
Adhesives	146-147
Air Cleaner	
Assembly	68
Core Seal	68
Air Conditioning Kit	106
Air Duct	
Flapper	109-110
Gasket Kit	109
Parts	109-110
Antenna	17
Arm Rest Base	13, 119
Attaching Hardware Kits	137-141
Automatic Trans Parts	53-55
<b>B</b>	
Back Glass Parts	120
Ball Joint	29
Battery	73-74
Bolts-Clamps	73-74
Cables	71, 89
Parts	73-75
Bearing	
Clutch	542
Engine	45-46
Front Wheel	20-21
Generator	70-73
Rear End	38
Steering	31-32
Belt	
Fan & P/S	60
Bezel	
Dash	74-76
Taillight	85
Body Panels	150-158
Bolts Misc.	131-137
Books	142-145
Boots	
Clutch	51-52
Shifter	51
Master Cylinder	24
Booster Power Brake	22-23
Brake	
Booster	22-23
Cables	25-26
Disc Kit	23
Drums	20
Emergency	25-29
Hose	23-25
Lines	24-25
Master Cylinder	24
Pedals & Pads	25
Shoes	24
Switch	29, 85
Wheel Cylinder	24
Bulbs	84
Bumper	
Axle	41
Braces	100-101
Deck Lid	120,124-125
Glove Box	113
Hood	95
Bumper Parts	100-101

<b>Bushing</b>	
Clutch	52
Defroster Flapper	103
Door Hinge	118
Front Suspension	29-30
Idler Arm	29-30
Master Cyl. Rod	24
Rear Spring	40-41
Shifter	55
Shock Mounting	103
Starter	75
Stabilizer Bar	26, 40
Wind Wing	111
<b>C</b>	
<b>Cable</b>	
Battery	73-74
Brake	25, 29
Heater Control	104-105
Hood Release	96
Ignition	76-79
Speedometer	55, 96-97
Starter	75
Tachometer	97
Vent Control	109-110
Camshaft	45-46
Cancel Plate	83
Cap	
Breather	47
Distributor	72, 76-79
Gas	65
Hub Cap	20-21
Master Cylinder	24
Power Steering	29
Radiator	58
<b>Carburetor</b>	
Air Cleaner	68-69
Choke	70
Gaskets	67-68
Linkage	64, 68-70
Kits	68
New & Rebuilt	67
Parts	65-70
Carpet	13
Cigar Lighter	91
Clamps	
Exhaust	41-42
Heater Hose	105
Power Brake	22, 105
Power Steering	34, 105
Radiator Hose	59
Top Hold Down	127-128
Clips	
Brake	22-24, 30, 131
Misc.	131-132
Wire Hub Cap	20-21
Clock	98, 103
Clutch	
Dust Shield	52
Linkage	48, 51-53
Parts	51-53
Coil	
Ignition	76
Resistor	77

Console	148
Continental Parts	18, 21-22
Convertible Top Parts	121-130
Cooling	57-60
Crankshaft	44-46
Cup Holder	148
Cushion Seat	9
<b>D</b>	
Dash	
Bezel	74-75
Covering	10
Emblem	112
Knobs	74-75
Lenses	75
Light	84
Parts	74, 75-107
Trim Sets	74-75, 112
Decals	
List & Sets	144
Deck Lid Protector	148
Deflector	
Air	59
Choke	70
Exhaust	41-42, 45
Radiator	58
Rear Bumper	100-101
Stone	100-101
Dipstick	
Engine Oil	47
Transmission	53
Tube Engine	47
Tube Transmission	54
Distributor Parts	76-79
Differential	38-39
Dimmer Switch	79
Door	
Gas Filler	120
Glass	116
Glass Run	116
Handles	117-120
Hinge	118
Latch	116
Lock	117
Panels	11
Parts	114-119
Step Plates	114
Weather strip	114
Drop Curtain	10
Duct Fresh Air	119-110
Dye Vinyl	146
<b>E</b>	
Electric	
Fan	60
Fuel Pump	66
Wiper Kit	98
Wiring	87-89
Emblem	
Body Side	94, 119
Crest	119
Glove Box	112
Hood	95
Nose Panel	58
Script	94, 119
Emergency Brake Cables	25, 29
Engine	
Mounts	45-47
Parts	45-47
Steady Rest	43, 47

Exhaust		
Exhaust Kits	41-42	
Manifolds	41, 42, 67	
Mufflers	41, 42	
Parts	41-42	
Exterior Trim Kits	15	
F		
Fan		
Belt	60	
Blades	60	
Electric Kit	62	
Heater Blower	104	
Shroud	58	
Spacer	59	
Filter		
Air Cleaner	68-69	
Fuel	65	
Oil	47	
Power Steering	35	
Transmission	53	
Firewall		
Parts	106, 108-109	
Pins	106, 108, 131	
Fittings Misc.	132-133	
Floor Mats	147	
Floor Pan Deadener	148	
Flywheel	46	
Front Suspension	29-30, 40	
Fuel		
Clips at Frame	65, 131	
Flex Line	66	
Gauge	66	
Lines	65-66	
Pump	66	
Sending Unit	66	
Tank	65	
Tank Straps	65	
Fuses	90	
G		
Gaskets		
Antenna	17	
Carburetor	66-68	
Brake	24	
Engine	45-47	
Fuel Filter	66	
Head Lamp	83	
Heater	103-105	
License Lamp	85	
Oil Pan	47	
Park Lamp	83	
Tail Lamp	83	
Valve Cover	46	
Valley Pan	46	
Water Pump	59	
Gauge		
Fuel	66	
Tachometer	97	
Temperature	75	
Gas Tank	65	
Bolts	65	
Pads	65	
Sending Unit	66	
Straps	65	
Vent Hose	65	
Gear		
Shifter	48, 51, 55	
Transmission	51-55	
Generator Parts	71, 73	

Glass		
Door	116	
Hardtop	120	
Port Hole	120	
Windshield	111	
Wind Wing	111	
Glove Box	113	
Grille	58	
Grille Speaker	112	
Grommets	109, 136	
H		
Handles		
Door	117-119	
Emergency Brake	29	
Jack	96	
Trunk	120, 124	
Hardtop		
Clamps	127	
Back Glass	120	
Glider	146	
Headliner	129	
Hoist Kit	146	
Port Hole	120	
Trim	128-129	
Tack Strip Set	126	
Weather strip	121, 125	
Hardware Kits	137-141	
Headlamp		
Wiring Grommet	91, 136	
Headliner	129	
Heat Shields		
Master Cylinder	23-24	
Muffler	42	
Spark Plug Wires	78	
Heater		
Blower Motor	104	
Chamber	103	
Cables	104	
Core	103	
Ducts	103-106	
Gaskets	103-105	
Hose	103	
Hose Clamps	105	
Knobs	104	
Manual Control Kit	104	
Switch	105	
Valve	103	
Hood		
Hood Cable	96	
Hood Parts	95-96	
Hood Tool	149	
Horn Relay	87	
Horn Ring	85-86	
Horn Wire	87-89	
Hose		
Brake	23-25	
Clamp Kit	105	
Defroster	104	
Gas Tank Vent	65	
Power Steering	34	
Power Steering Kit	33-34	
Radiator	59	
Vacuum	98	
Washer	98-100	
Hub Caps	20-21	

I		
Ignition		
Bezel	74-76	
Coil	76	
Switch	76	
Inverter	Radio	17
J		
Jack	Jack Parts	96
	Hold Down Strap	96
	Jacking Plates	100-101
	Jacking Instr.	144
Junction Blocks		90
K		
Keys		117, 124 147-148
Knob		
Dash	74-76 98, 107	
Door Lock	116	
Heater	104	
Lighter	91	
Radio	17	
Side Vent	110	
L		
Lamps		
Bulbs	84	
Leaf Springs	40	
Led		
Tail Lamps	84	
Lens		
Backup	94	
Dash	75	
Heater	105	
License	85	
Map Light	85	
Parking	83	
Radio	17	
Shift Selector	55, 94	
Tail Lamp	84	
Lighter Cigarette	91	
License		
Lamp Assembly	85	
Lens	85	
Plate Frames	147	
Plate Holder	85	
Literature	142-145	
Lock		
Bezel Glove Box	113	
Deck Lid	124	
Door	117	
Hood	95	
Ignition	76	
Shifter	151	
Sets	117, 124	
Trunk	124	
Louver Trim	110	
M		
Manifold Exhaust	42-46	
Manifold Intake	66	
Manual		
Heater Control	104	
Seat	130-131	
Window Regulator	118	
Manuals-Reference	142-143	
Map Light	85	
Master Cylinder	24	

Mat			Manuals	142-143	Pin Kits	126
Carpet	13		Speaker	16	Tack Strip Set	126
Trunk	125		Tube Sets	16	Weather Strip	121-122, 127
Mirrors	99	Rear			Spare Tire	
Motor		Axle	38		Carrier	21-22
Window	91, 118	Main Seal	46		Bolts Hold Down	21-22
Wiper	98	View Mirrors	99		Spark Plugs	78
Heater	104	Regulator			Spark Plug Wire Sets	77
Seat	91	Voltage	73		Speakers	16
Muffler	42, 45	Window	118		Speedometer	
<b>N</b>		Repaint Kit	14		Cable	97
Neutral Safety Switch	54	Repair Panels	150-158		Drive Gears	97
Nuts Misc.	131-137	Resistor-Dropping	66, 75, 103		Lens	97
<b>O</b>		Rod			Springs	
Oil		Accelerator	68-70		Brake Shoes	23
Dipstick	47	Carburetor	67-70		Bumpers	41
Fill Cap	47	Choke	68-70		Coil Front	40
Filter	47	Clutch	52		Choke	70
Pan Gasket	47	Door Lock	116		Clutch	52
Overdrive Parts	51-53	Kick Down	54		Door	116-117
<b>P</b>		Push Rod	24		Gear Shift	52
Pads		Shifter	51-55		Generator	73
Brake	25	Side Vent	110		Headlamp Bucket	83
Firewall	108, 109	Spindle Connecting	30		Hood Hinge	95
Gas Tank	65	Tie Rod End	30		Hood Latch	95
Paint	146-147	<b>S</b>			Horn Ring	86
Paint Protector	148	Screen			Ignition Switch	76
Pedal		Air Duct	110		Park Brake	25, 29, 52
Clutch	25	Screws Misc.	133-134		Rear Leaf	40
Pads	25	Script			Seat Assist	131
Pins Firewall	107, 108	Fender	94		Shackle	40
	131	Quarter Panel	119		Shock Covering	103
Plugs		Seals			Starter	75
Differential	133	Accelerator Rod	69		Throttle	69
Floor Pan	136	Air Cleaner	69-70		Top Handle Rear	128
Freeze	45	Air Duct	110		Turn Signal	83
Gas Tank	133	Engine Rear Main	46		Vent Control	110
Oil Pan	47	Fan Shroud	58		Washer Pump	99
Quarter Panel	113	Heater	103-105		Stabilizer Bar Front-Rear	26-40
Rocker Arm Shaft	46	Starter	46		Stainless	
Spark Plugs	78	Seals			Brake Lines	25
Wheel Well	113	Axle	21		Exhaust Pipes	42, 45
Power		Engine	45-47		Fuel Lines	65-66
Brake Booster	22-23	Rear End	38		Mufflers	42, 45
Steering	29-35	Transmission	51-55		Starter	
Pulleys		Steering	29-35		Brushes	75
Crankshaft	47	Wheel	21		Bushings	75
Fan	61	Windshield	111		Cable	71, 89
Generator	75	Seat			Drive	75
Hand Brake	29	Belt	11		Ring Gear	46, 55
Water Pump	59	Console	148		Seal	46
Pump		Covers	9		Solenoid	76
Fuel	66	Foam	9		Steering	
Oil	47	Parts	123, 130, 131		Column	31
Power Steering	30, 33	Relays	90		Column Mount & Plate	
Water	59	Wiring	87-89		For Aftermarket Column	31
Windshield Washer	99	Shifters	51-55		Linkage	29-35
<b>R</b>		Shim			Ram Cylinder	31
Radiator	58	Body	39, 136		Wheel	32-33, 85
Radiator		Door Striker	117		Steering Box	32
Cap	58	Shock Absorbers	102, 103		Step Plates	114
Clamps	59	Shop Manuals	142-143		Switch	
Deflector	59	Skirts			Back-Up	53, 94
Hose	59	Bracket Set	119		Battery Master	145
Radio	16-17	Kit	119		Courtesy Light	85
Radio	16, 17, 105	Moldings	119-120		Dimmer	79
Antenna	17	Soft Top			Head Light	76
Dial Lens	17	Clamps	127		Heater Blower	105
Knobs	17	Cover	130		Ignition	76
		Header Stainless	129			

Map Light 85  
 Neutral Safety 54  
 Window 90

Switch Radio  
 Switch Seat

17  
 91

T

Tachometer  
     Cable 98  
     Face 97  
     Tachometer 97  
 Tail Lamp 84  
 Temperature  
     Gauge 75  
     Sender 75  
 Thermostat 60  
 Tires 148  
 Tools 149  
 Tops 121, 122, 125-130  
 Torque Converter 54  
 Transmission 48-55  
 Tray Ash 112-113  
 Trunk 113-114, 120, 124-125  
 Turn Signal 83

U

Universal Joint 38  
 Upholstery 9-13

V

Vacuum  
     Advance 72, 78-79  
 Heater Control 104  
 Valve Stems 22  
 Ventilation System 108-110  
 Vinyl Dye 146  
 Visors 11  
 Voltage Regulator 705  
 Voltage Drop Resistor 77

W

Washers-Misc. 135-136  
 Water Pump 59  
 Weather Strip  
     Adhesive 146  
     Apron 92, 94-95  
     Door 114-116  
     Hard Top 122-131  
     Soft Top 122-131  
     Trunk 122-127  
     Windshield 111  
     Pillar/Windshield 111

Wheel

Bearings 21  
 Covers 20-21  
 Cylinder 24  
 Steering 32, 33, 85

Window

Glass 116  
 Handle 117-118  
 Regulator 118  
 Rollers 118  
 Stops 116  
 Weather Strips 114-116

Windshield

Moldings 111

Wind Wing Parts 111

Wiper

Arms 98  
 Bezel 98  
 Blades 98  
 Electric Kit 98  
 Motor Vacuum 98

Wire Wheel 20  
 Wire Wheel Covers 20-21

H  
I  
L  
L  
S  
  
T  
H  
U  
N  
D  
E  
R  
B  
I  
R  
D  
  
C  
E  
N  
T  
E  
R

**Rear Axle Ratio Codes - 1955**

Rear Axle Ratio

3.56 to 1 ..... Standard 3-Speed  
 3.73 to 1 ..... Standard Overdrive  
 3.30 to 1 ..... Ford-O-Matic

**Rear Axle Ratio Codes - 1956**

Rear Axle Ratio

3.56 to 1 ..... 3-Speed  
 3.73 to 1 ..... Standard Overdrive  
 3.31 to 1 ..... Ford-O-Matic

**Rear Axle Ratio Codes - 1957**

Rear Axle Ratio

3.70 to 1 ..... Code 3 • Std. Overdrive  
 3.10 to 1 ..... Code 3 • Ford-O-Matic  
 3.56 to 1 ..... Code 3 • Std. 3-Speed



**First & Last Thunderbird Numbers**

(Intermixed With Passenger Cars)

Date		1955
9-9-54	PSFH	100,005
9-14-55	PSFH	260,557
<b>Total (Thunderbirds)</b>		<b>16,155</b>

Date		1956
10-17-55	P6FH	102,661
8-24-56	P6FH	359,516
<b>Total (Thunderbirds)</b>		<b>15,631</b>

Date		1957
9-14-56	D7FH	100,010
12-13-57	E7FH	395,813
<b>Total (Thunderbirds)</b>		<b>21,380</b>

**VEHICLE VIN INFORMATION**

Assembly Plant Code \_\_\_\_\_ Body Style Code \_\_\_\_\_  
 Model Year \_\_\_\_\_ Consecutive Unit \_\_\_\_\_  
 Engine Code \_\_\_\_\_

**P6FH213215**  
 Serial Number (\*P6FH213215\*)  
 "P"- 8 Cyl.OHV Engine-292 cu.in displacement  
 "6"- 1956 Model  
 "F"- Assembled at Dearborn Plant  
 "H"- Thunderbird  
 "213215" One Hundred Thirteen Thousand Two Hundred Fifteen Car Assembled



Body Type Code **40A** - L - XC - 2B - HO - 308 \_\_\_\_\_ Scheduled Item Number  
 Body Color Code \_\_\_\_\_ Dealer Code  
 Trim Scheme Code \_\_\_\_\_ Production Code



Body Type Code **40** - EE6 - XA - 1 - 11 - Y - 3 - 1 \_\_\_\_\_ Rear Axle Ratio Code  
 Body Color Code \_\_\_\_\_ Transmission Type Code  
 Trim Scheme Code \_\_\_\_\_ Production Date Code  
 \*Trim Deviation \_\_\_\_\_ \*This also could be after the Trim Code

First & Last T-Bird Numbers (Intermixed with Passenger Cars)					
Date	1955	Date	1956	Date	1957
9-9-54	P5FH100005	10-17-55	P6FH102661	9-14-56	D7FH100010
9-14-55	P5FH260557	8-24-56	P6FH359516	12-13-57	E7FH395813
TOTAL	(T-B 16,155)		(T-B 15,631)		(T-B 21,380)

Month of Year Codes		
Year	Year	Year
Month	First-Second	Month First-Second
January	A N	May E S
February	B P	June F T
March	C Q	July G U
April	D R	August H V
		Dec. M Z

Transmission Type Codes & Rear Axle Codes		
Code	Transmission	Axle Ratio
1	3 Speed Manual Shift	3.10 to 1
2	Overdrive	3.56 to 1
3	Ford-o-Matic (2-Speed)	3.70 to 1

ENGINE CODES					
Year	Code	Eng.	Carb.	Transmission	HP
1955	P	292	4V	3-Speed	193
1955	P	292	4V	Fordomatic	198
1955	P	292	4V	Overdrive	198
1956	M	292	4V	3-Speed	202
1956	P	312	4V	Overdrive	215
1956	P	312	4V	Fordomatic	225
1956	P	312	4V	3-SP or OD	260
1957	C	292	2V	3-Speed	212
1957	D	312	4V	FM or OD	245
1957	E	312	8V	Any	270
1957	F	312	4V	Any	*300

\*Supercharged

**EXTERIOR PAINT**

1955- A=Raven Black; E=Snowshoe White  
 R=Torch Red; T=Thunderbird Blue  
 V=Golden Rod Yellow

1956- A=Raven Black; E=Colonial White  
 J=Buckskin Tan; K=Fiesta Red  
 L=Peacock Blue; M=Goldenglow Yellow  
 X=Navajo Gray; Y=Sunset Coral  
 Z=Thunderbird Green; T=T-Bird Gray

1957- A=Raven Black; E=Colonial White  
 F=Starmist Blue; J=Willow Green  
 N=Gunmetal Gray; Q=T-Bird Bronze  
 V=Flame Red; X=Dust Rose  
 Y=Inca Gold; Z=Coral Sand

Colors added or substituted for 1957 colors when 1957 Birds were being built with 1958 Fords.  
 C=Sun Gold; R=Torch Red; L=Azure Blue  
 H=Gunmetal Gray; N=Seaspray Green

Some 1957 T-Birds had a trim deviation number after the color code. Example:LL6. This late color derivation is not 100% accurate, and should be considered only as information showing a very late car.

INTERIOR TRIM		
THUNDERBIRD - 1955		
XA	Black and White	Early Cars "A" Only
XB	Red and White	Early Cars "B" Only
XC	Turquoise and White	Early Cars "C" Only
XD	Black and Yellow	Early Cars "D" Only
THUNDERBIRD - 1956		
XA	Black and White Vinyl	
XB	Red and White Vinyl	
XC	Dark Peacock and White Vinyl	
XF	Green and White Vinyl	
XG	Brown and White Vinyl	
THUNDERBIRD - 1957		
XA	Pleated Raven Vinyl and Pleated Colonial White	
XH	Pleated Flame Vinyl	
XJ	Pleated Bronze Vinyl	
XK	Pleated Colonial Vinyl	
XL	Pleated Dresden Blue and Pleated Starmist Blue	
XM	Pleated Cumberland Vinyl and Pleated Willow Vinyl	

HILL'S THUNDERBIRD CENTER - 29625 BASHAN ROAD - RACINE, OHIO 45771 - (866) 949-1956  
 CHECK OUT OUR CATALOG ON-LINE AT ([www.hillsresto.com](http://www.hillsresto.com))  
 COMING SOON TO OUR WEBSITE ON-LINE ORDERING  
 LOOKING FOR THOSE HARD TO FIND PARTS-REMEMBER WE ARE JUST A PHONE CALL AWAY!



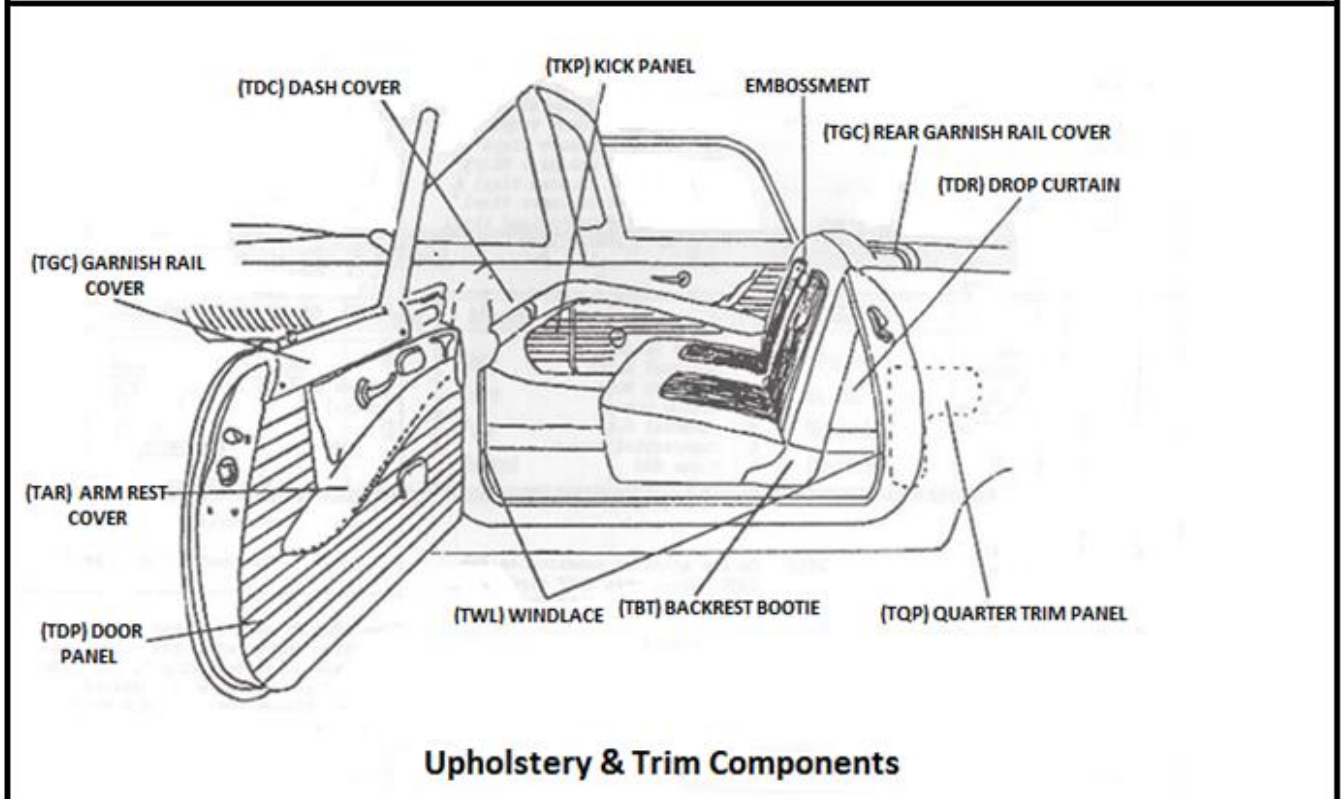
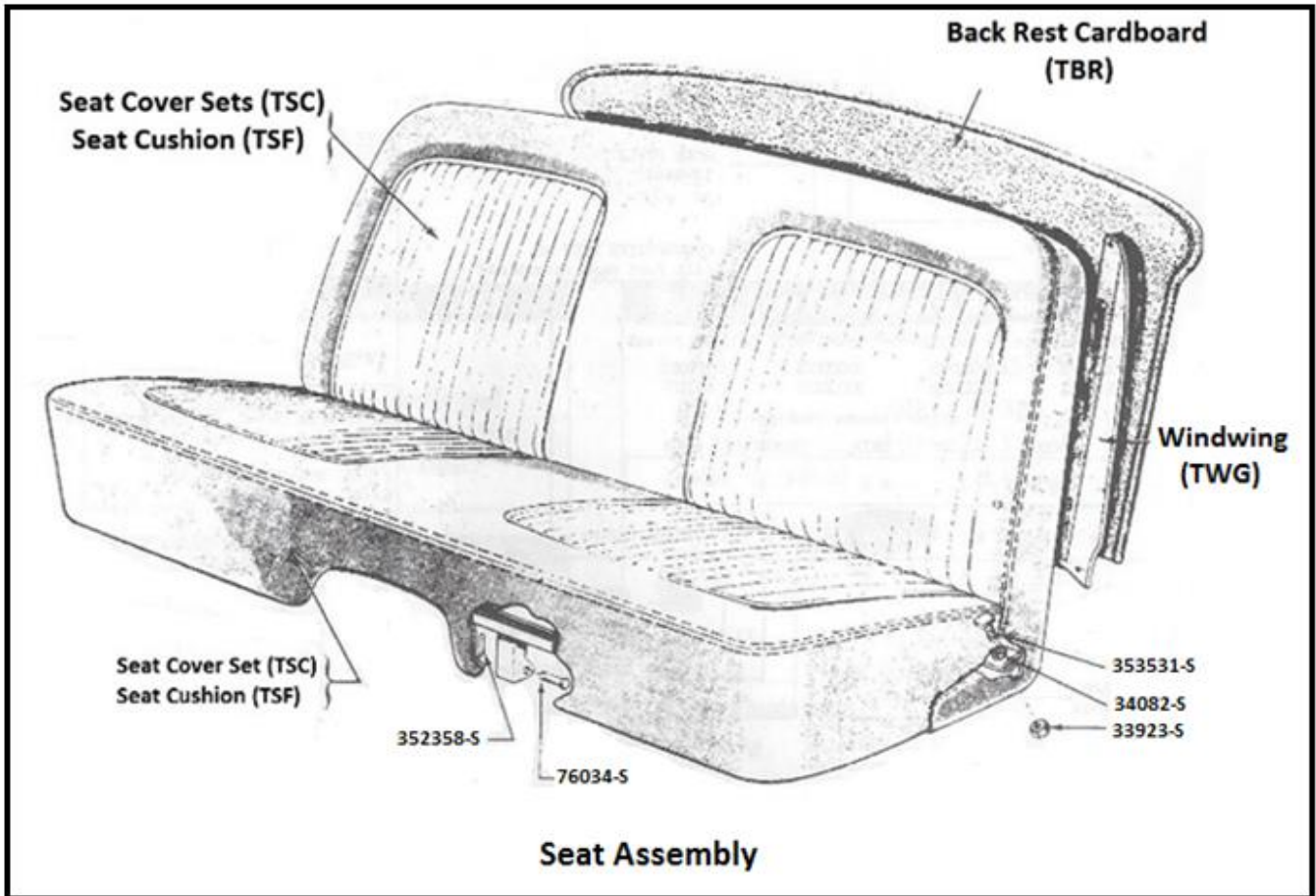
H  
I  
L  
L  
S  
  
T  
H  
U  
N  
D  
E  
R  
B  
I  
R  
D  
  
C  
E  
N  
T  
E  
R

ILLUSTRATION SEAT



TRIM

H  
I  
L  
L  
S  
  
T  
H  
U  
N  
D  
E  
R  
B  
I  
R  
D  
  
C  
E  
N  
T  
E  
R





**COMPLETE UPHOLSTERY KIT**

Includes:

- Seat Covers
- Backrest Wings
- Door Panels
- Quarter Panel Cardboard
- Wind lace
- Garnish Rail Covers
- Vinyl Floor Covers
- Drop Curtain
- Backrest Cardboard
- Backrest Booties
- Kick Panels
- Arm Rest Covers
- Door Panel Beading
- Dash Cover (55 & 56 Only)
- Carpet with Jute Padding

\*\*\* Deduct \$42.50 for No Dash Cover \*\*\*

**All of our upholstery is  
CONCOURS QUALITY!**

TUK55BK	55 Black and White.....	712.00
TUK55RD	55 Red and White.....	712.00
TUK55GN	55 Turquoise and White.....	712.00
TUK55YL	55 Black and Yellow.....	806.95
TUK56BK	56 Black and White.....	712.00
TUK56BKE	56 Black and White Embossed.....	743.50
TUK56RD	56 Red and White.....	712.00
TUK56RDE	56 Red and White Embossed.....	743.50
TUK56PK	56 Peacock Blue and White.....	712.00
TUK56PKE	56 Peacock Blue and White Embossed.....	743.50
TUK56GN	56 Green and White.....	712.00
TUK56GNE	56 Green and White Embossed.....	743.50
TUK56BS	56 Buckskin and White.....	712.00
TUK56BSE	56 Buckskin and White Embossed.....	743.50
TUK57BK	57 Black and White.....	676.95
TUK57BKE	57 Black and White Embossed.....	708.50
TUK57BZ	57 Bronze.....	734.95
TUK57BZE	57 Bronze Embossed.....	766.50
TUK57BU	57 Blue.....	734.95
TUK57BUE	57 Blue Embossed.....	766.50
TUK57GN	57 Green.....	775.95
TUK57GNE	57 Green Embossed.....	806.95
TUK57RD	57 Red.....	734.95
TUK57RDE	57 Red Embossed.....	766.50
TUK57WT	57 White.....	676.95
TUK57WTE	57 White Embossed.....	708.50

**SEAT UPHOLSTERY SET**



All of our seats cover sets include cushion and backrest covers, backrest hinge "booties", and the "wings" that go between the edge of the backrest and the backrest cardboard.

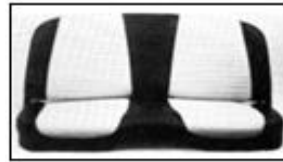


1955 SEAT COVER



1956 SEAT COVER

**SEAT COVERS**



1957 SEAT COVER



1956



1957

TSC55BK	55 Black & White.....	249.95
TSC55RD	55 Red & White.....	249.95
TSC55GN	55 Green & White.....	249.95
TSC55YL	55 Black & Yellow.....	295.00
TSC56BK	56 Black & White.....	249.95
TSC56RD	56 Red & White.....	249.95
TSC 56PK	56 Peacock & White.....	249.95
TSC56GN	56 Green & White.....	249.95
TSC56BS	56 Buckskin Tan & White.....	249.95
TSC57BK	57 Black & White.....	249.95
TSC57BU	57 Blue.....	249.95
TSC57BZ	57 Bronze.....	249.95
TSC57GN	57 Green.....	299.95
TSC57RD	57 Red.....	249.95
TSC57WT	57 White.....	249.95

**\*\*Add \$33.00 for seat embossment\*\***

56 & Early 57's had the Embossment in the Center Of the Seat Back, 55's had No Embossment

**SEAT FOAM**

New seat foam will enable easier installation and proper fit of new seat cover. "Best Available"

SF-55	Seat Foam Set 1955.....	379.00
SF-55B	Seat Foam Back Only 1955.....	199.00
SF-55S	Seat Foam Bottom Only 1955.....	189.00
SF-56	Seat Foam 1956.....	349.00
SF-56B	Seat Foam Back Only 1956.....	189.00
SF-56S	Seat Foam Bottom Only 1956.....	159.00
SF-57	Seat Foam 1957.....	339.00
SF-57B	Seat Foam Back Only 1957.....	179.00
SF-57S	Seat Foam Bottom Only 1957.....	169.00

**SEAT ACCESSORIES**



60000-A

60000-A	Seat Tack Strip Set Replaces Tack Strip on Frame Includes: 6000B Stiffeners.....	24.95
60000-B	Seat Stiff Boards Pair Goes on Bottom at Front.....	4.00

H  
I  
L  
L  
S  
  
T  
H  
U  
N  
D  
E  
R  
B  
I  
R  
D  
  
C  
E  
N  
T  
E  
R

**SEAT PARTS & INTERIOR TRIM**



60000-C

60000-D

60000-C	Burlap Covering for Seat Frame.....	9.85
60000-D	Hog Rings & Tacks Kit Enough to Install Seat Covers.....	10.00

**Also See Part Numbers  
60000-A & 60000-B ON PAGE 9**

**DASH COVER**



**\*\*55-56 All Dash Covers are sewn as Original and are ready for  
Concourse Events.**

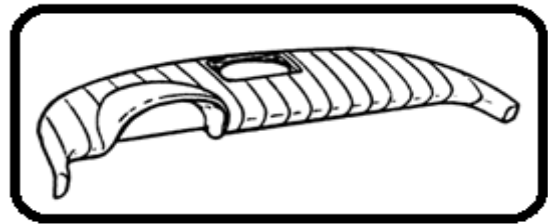
TDC55BK	55 Black.....	42.50
TDC55GN	55 Green .....	42.50
TDC55RD	55 Red.....	42.50
TDC56BS	56 Buckskin .....	42.50
TDC56GN	56 Green .....	42.50
TDC56PK	56 Peacock.....	42.50
TDC56RD	56 Red.....	42.50

**KICK PANELS**



**\*\* Sold as Pair**

TKP55WT	White .....	59.95
TKP55YL	Yellow.....	79.95
TKP56WT	White .....	59.95
TKP56BU	Blue.....	79.95
TKP57BZ	Bronze.....	79.95
TKP57GN	Green .....	79.95
TKP57RD	Red.....	79.95
TKP57WT	White .....	59.95
02354	Kick Panel Retainers RH .....	47.95
02355	Kick Panel Retainers LH .....	47.95



**PADDED DASH**

**\*\*Every Padded Dash is handcrafted to Fit Right onto  
Original Factory Mounting Points.**

04290C	57 Blue.....	450.00
04290D	57 Black.....	450.00
04290E	57 White.....	450.00
04290F	57 Red.....	450.00
04290G	57 Green.....	450.00
04290H	57 Bronze.....	450.00
K04291	Kit - Dash Pad Retaining Strap to Dash Each.....	2.00

**DROP CURTAIN**



**\*\*Drop Curtains Cover the Rear Portion of Your Thunderbird  
Interior behind Your Seatback (Snap Studs Included)**

**Drop Curtain was not used with cars that had a Tonneau Cover**

TDR55BK	55-56 Black .....	48.50
TDR55GN	55 Green .....	48.50
TDR55RD	55 Red .....	48.50
TDR56BS	56 Buckskin.....	48.50
TDR56GN	56 Green .....	48.50
TDR56PK	56 Peacock .....	48.50
TDR56RD	56 Red .....	48.50
TDR57BK	57 Black.....	48.50
TDR57BU	57 Blue.....	48.50
TDR57BZ	57 Bronze.....	48.50
TDR57GN	57Green.....	48.50
TDR57RD	57Red .....	48.50
TDR57WT	57 White .....	48.50
KTDR A	55-56 Drop Curtain to Floor 6 Pieces.....	4.20
KTDR B	57 Drop Curtain to Floor 2 Pieces.....	9.90

**QUARTER PANEL CARDBOARDS**



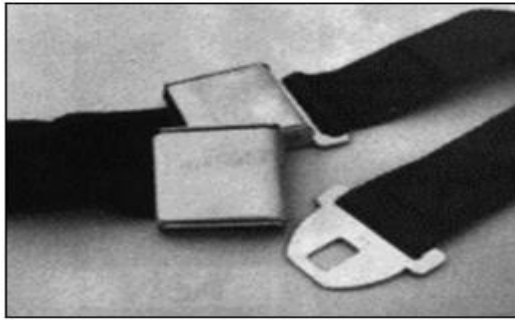
**\*\*Our Quarter Panel Cardboard, Fits Between the Door Post and  
the Rear Wheelhouse Area. Sold as Pair.**

TQP55BK	55-56 Black .....	29.95
TQP55WT	55 White .....	29.95
TQP55YL	55 Yellow .....	29.95
TQP56BS	56 Buckskin.....	29.95
TQP56GN	56 Green .....	29.95
TQP56PK	56 Peacock .....	29.95
TQP56RD	56 Red .....	29.95
TQP57BK	57 Black .....	29.95
TQP57BU	57 Blue.....	29.95
TQP57BZ	57 Bronze.....	29.95
TQP57GN	57 Green .....	29.95
TQP57RD	57 Red .....	29.95
TQP57WT	57 White.....	29.95
KTQP	Kit Quarter Trim Panels to Body (2 Sides) .....	2.85
31262	Quarter Panel Cardboard Tack Strip Pair .....	6.00

H  
I  
L  
L  
  
T  
H  
U  
N  
D  
E  
R  
B  
I  
R  
D  
  
C  
E  
N  
T  
E  
R

**SEAT BELTS**

**\*\* Very Nice Replacement Type. Chrome lift Release Buckle. Kit Includes Hardware for Installation. I-Bolt Mount. Prices Listed are for One Set. (Enough for One Person)**



61200-AA	55 & 57 Red.....	53.95
61200-BA	55-57 Black.....	53.95
61200-DA	55-56 White.....	53.95
61200-FA	56 Peacock.....	53.95
61200-HA	56 Buckskin.....	53.95
61200-KA	57 Blue.....	53.95
61200-LA	57 Bronze.....	53.95
61200-MA	57 Green.....	53.95
61200-NA	57 Off-White.....	53.95
61200-RA	57 Dark Blue.....	53.95

**GARNISH RAIL COVER**



**\*\*These Color-matched Strips of Vinyl are used to cover the Door Garnish Rail Area and the Garnish Rail at the Deck Area behind the Seat. Ask About New Leather Garnish Rails.**

TGC55BK	55-56 Black.....	15.50
TGC55GN	Green.....	15.50
TGC55RD	Red.....	15.50
TGC56BS	Buckskin.....	15.50
TGC56GN	Green.....	15.50
TGC56PK	Peacock.....	15.50
TGC56RD	Red.....	15.50
TGC57BK	Black.....	15.50
TGC57BU	Blue.....	15.50
TGC57BZ	Bronze.....	15.50
TGC57GN	Green.....	15.50
TGC57RD	Red.....	15.50
TGC57WT	White.....	15.50
20906	Garnish Rail 55/57 Steel RH.....	49.95
20907	Garnish Rail 55/57 Steel LH.....	49.95
K20906	Kit Door Garnish Rail to Door.....	2.50
K20906-A	Kit Door Garnish Rail to Door Oversize Thread.....	3.00
40406	Clip Rear Garnish Molding Joint.....	9.50
40406-F	Garnish Rail Rear Deck Fiberglass.....	134.95
40406-M	Garnish Rail Rear Original Metal.....	Call
40408-9	Garnish Molding Set Rear Stainless, Pair.....	89.95
K40408/9	Kit Rear Garnish Molding to Body.....	5.90



**HILL'S THUNDERBIRD CENTER GIFT CERTIFICATES AVAILABLE!**

**SUN VISORS**

**\*\*Original Style Sun Visors Constructed on Original Colors, to Correct Size and Made from Vinyl that is Color-matched to go with Our Upholstery Kits and Interior Items. (Pairs)**



04104-A	1956 White.....	165.00
04104-B	1957 White.....	165.00
04104-C	1957 Red.....	165.00
04104-D	1957 Blue.....	165.00
04104-E	1957 Green.....	165.00
04104-F	1957 Bronze.....	165.00

**TONNEAU COVER**

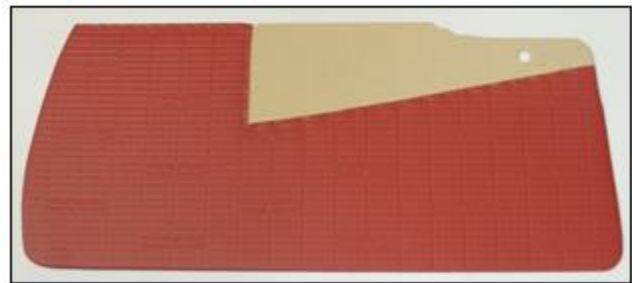


**\*\*Snaps Included but Not Installed.**

**T-Birds with a Tonneau Cover did not use a Drop Curtain**

TTC55BK	55-56 Black.....	169.95
TTC55GN	55 Green.....	169.95
TTC55RD	55 Red.....	169.95
TTC55WT	55 White.....	169.95
TTC56BS	56 Buckskin.....	169.95
TTC56GN	56 Green.....	169.95
TTC56PK	56 Peacock.....	169.95
TTC56RD	56 Red.....	169.95
TTC57BK	57 Black.....	169.95
TTC57BU	57 Blue.....	169.95
TTC57BZ	57 Bronze.....	169.95
TTC57GN	57 Green.....	169.95
TTC57RD	57 Red.....	169.95
TTC57WT	57 White.....	169.95

**DOOR PANEL**



TDP55WT	55 White (Pair).....	128.00
TDP55YL	55 Yellow (Pair).....	165.00
TDP56WT	56 White (Pair).....	128.00
TDP57BU	57 Blue (Pair).....	165.00
TDP57BZ	57 Bronze (Pair).....	165.00
TDP57GN	57 Green (Pair).....	165.00
TDP57RD	57 Red (Pair).....	165.00
TDP57WT	57 White (Pair).....	128.00
KTDPA	Kit Door Panels to Doors 55/56.....	9.75
KTDPB	Kit Door Panels to Doors 57.....	9.75
21032	Retainer - Door Panel at Bottom 57 RH-LH.....	15.00
K21032	Kit Door Panel Channels to Doors 57.....	1.50
371905-S	Door Panel Clips Only 55/57 Price Each.....	0.50

H  
I  
L  
L  
S  
  
T  
H  
U  
N  
D  
E  
R  
B  
I  
R  
D  
  
C  
E  
N  
T  
E  
R

**VINYL FLOOR COVER**



Our Vinyl Floor Cover is a color-matched piece of vinyl that covers the floor area between the Seatback and the Drop Curtain \*Most 56 T-Birds have a small floor cover. 1956 T-Birds that were equipped with a factory Tonneau Cover came with a large Floor Cover.

TFC55BK	55-56 Black.....	7.95
TFC55GN	55 Green.....	7.95
TFC55RD	55 Red.....	7.95
TFC56BKT	56 Black with Tonneau.....	15.95
TFC56BS	56 Buckskin.....	7.95
TFC56BST	56 Buckskin with Tonneau.....	15.95
TFC56GN	56 Green.....	7.95
TFC56GNT	56 Green with Tonneau.....	15.95
TFC56PK	56 Peacock.....	7.95
TFC56PKT	56 Peacock with Tonneau.....	15.95
TFC56RD	56 Red.....	7.95
TFC56RDT	56 Red with Tonneau.....	15.95
TFC57BK	57 Black.....	15.95
TFC57BU	57 Blue.....	15.95
TFC57BZ	57 Bronze.....	15.95
TFC57GN	57 Green.....	15.95
TFC57RD	57 Red.....	15.95
TFC57WT	57 White.....	15.95

**WINDLACE SETS**



\*\*Vinyl Covered (4) Pieces to go in Front of and in Back of Door. Ready to Install.

TWL55BK	55-56 Black.....	28.50
TWL55GN	55 Green.....	28.50
TWL55RD	55 Red.....	28.50
TWL56BS	56 Buckskin.....	28.50
TWL56GN	56 Green.....	28.50
TWL56PK	56 Peacock.....	28.50
TWL56RD	56 Red.....	28.50
TWL57BK	57 Black.....	28.50
TWL57BU	57 Blue.....	28.50
TWL57BZ	57 Bronze.....	28.50
TWL57GN	57 Green.....	28.50
TWL57RD	57 Red.....	28.50
TWL57WT	57 White.....	28.50

**CLOTH-COVERED WINDLACE SET**



Original-Style Wind Lace Sets include (4) pieces to go in front of and in back of door. Ready to install.

TWL55BKC	55-56 Black.....	28.50
TWL55RDC	55 Red.....	28.50
TWL55GNC	55 Green.....	28.50
TWL56GNC	56 Green.....	28.50
TWL56PKC	56 Peacock.....	28.50
TWL56RDC	56 Red.....	28.50

**DOOR PANEL BEADING**



\*\*This is the Vinyl Covered Door Panel Beading the Fills in the Gap at the Front of the Aluminum Door Trim Panel along the Top Edge. Sold as Pair.

TDB55BK	55-56 Black.....	10.50
TDB55GN	55 Green.....	10.50
TDB55RD	55 Red.....	10.50
TDB56BS	56 Buckskin.....	10.50
TDB56GN	56 Green.....	10.50
TDB56PK	56 Peacock.....	10.50
TDB56RD	56 Red.....	10.50
TDB57BK	57 Black.....	10.50
TDB57BU	57 Blue.....	10.50
TDB57BZ	57 Bronze.....	10.50
TDB57GN	57 Green.....	10.50
TDB57RD	57 Red.....	10.50
TDB57WT	57 White.....	10.50

**BACKREST BOOTIES**



\*\*Backrest Booties are a Custom-Fit Vinyl Cover for the Hinges that Support Your Seatback. Note: Booties are Included with our Seat Cover Sets. Sold as Pair.

TBT55BK	55-56 Black.....	11.95
TBT55GN	55 Green.....	11.95
TBT55RD	55 Red.....	11.95
TBT56BS	56 Buckskin.....	11.95
TBT56GN	56 Green.....	11.95
TBT56PK	56 Peacock.....	11.95
TBT56RD	56 Red.....	11.95
TBT57BK	57 Black.....	11.95
TBT57BU	57 Blue.....	11.95
TBT57BZ	57 Bronze.....	11.95
TBT57GN	57 Green.....	11.95
TBT57RD	57 Red.....	11.95
TBT57WT	57 White.....	11.95

**NOT ALL ITEMS ARE LISTED IN INDEX!  
CAN'T FIND WHAT YOU ARE LOOKING FOR?  
PLEASE CALL!  
866-949-1956**

H  
I  
L  
L  
S  
  
T  
H  
U  
N  
D  
E  
R  
B  
I  
R  
D  
  
C  
E  
N  
T  
E  
R

## CUSTOM FIT CARPET SETS



**\*\*The Carpet Features Nylon Loop Pile with Cloth Bindings, Die-Cut to Fit Properly, and also Includes the Rubber Heel and Foot-Side Rubber Pads. Comes with Jute Pad**

TCP55BKJ	55 Black	105.00
TCP55GNJ	55 Green	105.00
TCP55RDJ	55 Red	105.00
TCP55RDJS	55 Red 57 Style	105.00
TCP 56BKJ	56-57 Black	105.00
TCP56BSJ	56 Buckskin	105.00
TCP56GNJ	56 Green	105.00
TCP56PKJ	56 Peacock	105.00
TCP56RDJ	56 Red	105.00
TCP57BUJ	57 Blue	105.00
TCP57BZJ	57 Bronze	105.00
TCP57GNJ	57 Green	105.00
TCP57RDJ	57 Red	105.00
<b>**All Carpet without Jute Pad</b>		<b>96.50</b>



TCP-JUTE	Jute Pad Only	15.00
TAC-17	Floor Pan Heat Shield 55/57	38.90
FPDS	Floor Pan Deadener Set 4pc	36.95

## BACKREST WINGS



**\*\*The Wing Go on the Rear of the Backrest to Cover the Gap Between the Backrest and the Backrest Cardboard on the Sides.  
Note: Backrest Wings are Included the Seat Cover Sets.**

TWG55BK	55-56 Black	8.50
TWG55GN	55 Green	8.50
TWG55RD	55 Red	8.50
TWG56BS	56 Buckskin	8.50
TWG56GN	56 Green	8.50
TWG56PK	56 Peacock	8.50
TWG56RD	56 Red	8.50

## BACKREST WINGS

TWG57BK	57 Black	8.50
TWG57BU	57 Blue	8.50
TWG57BZ	57 Bronze	8.50
TWG57GN	57 Green	8.50
TWG57RD	57 Red	8.50
TWG57WT	57 White	8.50

## BACKREST CARDBOARD



**\*\*Completely Correct with Original Type Colored Cardboard, Edged with Concourse-Correct Extruded Binding.**

TBR55BK	55 & 57 Black	36.50
TBR55GN	55 Green	36.50
TBR55RD	55 Red	36.50
TBR56BK	56 Black	36.50
TBR56BS	56 Buckskin	36.50
TBR56GN	56 Green	36.50
TBR56PK	56 Peacock	36.50
TBR56RD	56 Red	36.50
TBR57BU	57 Blue	36.50
TBR57BZ	57 Bronze	36.50
TBR57GN	57 Green	36.50
TBR57RD	57 Red	36.50
TBR57WT	57 White	36.50
KTBR	Kit Seat Back Panel to Seat (48 Pieces)	5.75

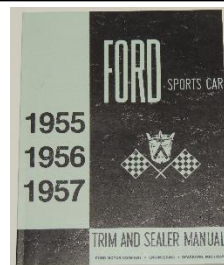
## ARM REST COVERS



TAR55BK	55-56 Black	32.50
TAR55GN	55 Green	32.50
TAR55RD	55 Red	32.50
TAR56BS	56 Buckskin	32.50
TAR56GN	56 Green	32.50
TAR56PK	56 Peacock	32.50
TAR56RD	56 Red	32.50
TAR57BK	57 Black	32.50
TAR57BU	57 Blue	32.50
TAR57BZ	57 Bronze	32.50
TAR57GN	57 Green	32.50
TAR57RD	57 Red	32.50
TAR57WT	57 White	32.50
24140	Arm Rest Base 55/57 RH	79.95
24141	Arm Rest Base 55/57 LH	79.95
K24140	Kit Hardware Arm Rest to Door Panels	2.75
24141-A	Arm Rest Foam Kit	7.40

**\*\*Now Available in Leather, Same Color as Vinyl, \$99.95 per Pair**

## Trim and Sealer Manual



A must when you are restoring your bird's interior. It shows the installation of all the upholstery trim, sound deadeners, and weather-strip as originally done by the factory.

This manual is divided into three sections covering 55, 56, and 57.

110-26-A	55/56	21.00
110-26-B	57	21.00

**REPAINT BODY GASKET & SEAL KIT**

This Kit Would be Used When You Repaint Your T-Bird.

Kit Consists of Gaskets Seals and Grommets as You Re-assemble.

Kit Include Door Weather Strips, Trunk Weather Strip, Door Pillar Weather Strips, Door Handle Pads, Door Handle Button Seals, Side Vent Seals 56/57, Gas Fill Neck Grommet 55/56, Antenna Base Gasket, Trunk Lock Pad, Gas Lid Bumpers, Mirror Gasket, Hood Pad, Rear Latch Plate Gasket, Hood Bumpers 56/57, Rear Stone Deflector 57, Splash Shield Rear 56, Skirt Seals, Park lamp, Headlamp, Backup Lamp, and Tail lamp Gaskets, Wiper Arm Seals, Washer Jet Seals, Door Pillar Button Seals.

These Kits do Not Include 02626 & 02627 Pillar Weather Strips that Attach to the Windshield Frame.

H  
I  
L  
L  
S  
  
T  
H  
U  
N  
D  
E  
R  
B  
I  
R  
D  
  
C  
E  
N  
T  
E  
R

**RP-55 .....194.95**

1955 Kit Includes the Following:

9080, (2)13044, (2)13211A, (2)13217A, 13398, (2)13420A, (2)13461A, (2)15510A, (2)15533A, 16740A, (2)17541, 17666A, 17696D, 17808A, (2)18912, 18919A, (2)20330, 20530-1, 20570, 20571, 21452AK, (2)22428, (2)22448, (2)22478, (2)27986, 43625A, 43720, (2)50554, 357170S

**RP-56 .....209.95**

1956 Kit Includes the Following:

9080, (2)13044, (2)13211A, (2)13217A, 13398, (2)13420A, (2)13461B, (2)15510B, (2)15533C, 16740B, 16758A, (2)17541, 17666A, 17696D, (2)17808B, (2)18912, 18919A, (2)02158, (2)20330, 20530-1, 20570, 20571, 21452AK, (2)22428, (2)22448, (2)22478, (2)27986, 43625A, 43720, (2)50554, 357170S

**RP-57 .....194.95**

1957 Kit Includes the Following:

(2)13044, (2)13211B, (2)13217B, (2)13420B, (2)13461C, 16740B, 16758B, (2)17541, 17666A, 17696D, 17808C, (2)18912, 18919A, (2)02158, 20530-1, 20570, 20571, 21452AK, (2)22428, (2)22448, (2)22478, (2)27986, 43625B, 43720, 43720A, (2)50554, (2)380239S



### EXTERIOR CHROME & TRIM KITS

Refresh Your Thunderbird with this Exterior Trim Kit. All Attaching Hardware

**\*\*SAVE-----Included in these Kits-----SAVE\*\***

QUALITY EXTERIOR CHROME TRIM KITS

1955 Kit Includes the Following:

- 1-16228 RH Hash mark
- 1-16229 LH Hash mark
- 2-16237 V-8 Emblems
- 1-16607 Hood Grille
- 1-17696A Mirror Outside
- 1-22400A Door Handles Outside
- 2-25622 Thunderbird Script
- 2-25662 Ford Medallion
- 2-25666 Medallion Retainer
- 2-42550 Cross Flags
- 1-43603A Trunk Lock Sleeve
- (16099-A) 1955 Exterior Trim Kit.....



439.95

1956 Kit Includes the Following:

- 1-8218 Nameplate Grille Upper
- 1-8259 Grille Ornament
- 1-16228 RH Hash mark
- 1-16229 LH Hash mark
- 1-16607 Hood Grille
- 1-17696B Mirror Outsid
- 1-22400A Door Handles Outside
- 2-25622 Thunderbird Scripts
- 2-25662 Ford Medallion
- 2-25666 Medallion Retainer
- 1-43603A Trunk Lock Sleeve
- (16099-B) 1956 Exterior Trim Kit.....



429.95

1957 Kit Includes the Following:

- 1-8218 Nameplate Grille Upper
- 1-8259 Grille Ornament
- 1-16228 RH Hash mark
- 1-16229 LH Hash mark
- 1-16607 Hood Grille
- 1-17696B Mirror Outside
- 1-22400A Door Handles Outside
- 1-42530 Trunk Handles Insert
- 1-43500 Trunk Handle
- 1-43603B Trunk Lock Sleeve
- (16099-C) 1957 Exterior Trim Kit.....



399.95

#### EXTERIOR TRIM KIT

- 1955
- 16099-AK Includes: 16228, 16229, (2)16237, (2)25622, (2)25662, (2)25666, (2)42550.....254.95
- 1956
- 16099-BK Includes: 8218, 8259, 16228, 16229, (2)25622, (2)25662, (2)25666.....244.95
- 1957
- 16099-CK Includes: 8218, 8259, (2)16098, 16228, 16229, 42530, 43500.....206.95

**HILL'S THUNDERBIRD CENTER 866-949-1956**

H  
I  
L  
L  
S  
  
T  
H  
U  
N  
D  
E  
R  
B  
I  
R  
D  
  
C  
E  
N  
T  
E  
R

**BLUETOOTH**



BC-01-D Bluetooth Adapter Kit Quick & Easy Installation  
Provides hand-free function for your phone..... 49.95

**FEATURES**

Bluetooth v2.1 +EDR with built-in NFC simple pairing function.  
Quick and easy installation.  
Can be quickly moved between your "daily driver" and your weekend car.

**Provides hands-free function for your phone,  
Includes built-in microphone.**

**Allows any Bluetooth enabled product to  
Connect to your stereo system.**

**Includes panel mount auxiliary input jack for easy  
accessibility**

**93dB SNR and distortion typically less than  
0.05% for clean, clear reception.  
10 meter (30 feet) range.**

**Input voltage: 12-24 V. Negative ground only.  
Supports up to 5 phone connections. Connects to the last  
one paired.**



**18808**



**18808-A**

18808	Speaker Standard 6" x 9" Replacement .....	22.00
18808-A	Speaker DVC Dual-Voice Coil 140 Watt Upgrade ....	46.00
K18808	Radio Speaker (18808) to Dash Wing Nuts 4-pcs....	2.00
K04454	Speaker Grille (04454) to Dash 8-pcs .....	1.80



**18808-C**

18808-C Speaker Kit Rear Panel with two 6" x 9"  
Dual Voice Coil Speakers, Mounted on  
Carpet Panel Includes Attaching Hardware..... 159.00

**NEW REPRO RADIOS**



**1955 Ford Thunderbird AM/FM/Stereo Radio**  
18806-D Radio Reproduction Like Original 55 ..... 595.00



**1956-57 Ford Thunderbird T&C AM/FM/Stereo Radio**  
18806-F Radio Reproduction Like Original 56/57 ..... 695.00

**1955 Radio 12V -56/57 Radio Town & Country Both radios use  
original antenna. Chrome plated metal nose.  
Town & Country buttons on 56/57 Radio like original.  
Town & Country buttons seeks on AM/FM.  
Analog controls look and feel like original radio.  
Ten preset (5AM, 5FM) LED Dial lights.  
Volume, Bass, Treble, Balance, Fader, and Tuning.  
Standard D-shafts on controls you will be able to use original style  
Knobs and Bezels, same size thread as original shafts.  
Radios are Like Original, but not Concourse Correct**



18D806 Available for the 55/57 Thunderbird. 6-Disc CD Changer  
Features Included..... 279.00

**RADIO PARTS**



**18805-E**



**18805-F**

18805-AK	Radio Tube Set 55 without Vibrator .....	79.95
18805-BK	Radio Tube Set 56 without Vibrator .....	99.95
18805-CK	Radio Tube Set 57 .....	59.95
18805-D	Radio Vibrator 6-Volt 55 .....	39.95
18805-E	Radio Vibrator 12-Volt 56 .....	39.95

H  
I  
L  
L  
S  
  
T  
H  
U  
N  
D  
E  
R  
B  
I  
R  
D  
  
C  
E  
N  
T  
E  
R



**POWER INVERTER / RADIO PARTS**

You can now Operate 12v Negative Ground Accessories (ex. Stereo Radio) in your 55' 6-Volt Positive Ground T-Bird.

18805-F Power Inverter, with Instructions ..... 103.95



18806-55



18810

- \*18806-55 Radio Used Original 1955 ..... Call
- \*18806-56 Radio Used Original 1956 ..... Call
- \*18806-57 Radio Used Original 1957 ..... Call
- \*18806-FA Radio Face 1955 ..... Call
- \*18806-FB Radio Face 1956/57 ..... Call
- \*18806-SA Radio Support Brace 55 RH Used Original ..... 10.00
- \*18806-SB Radio Support Brace 55 LH Used Original ..... 10.00
- \*18806-SC Radio Support Brace 56/57 RH Used Original ..... 10.00
- \*18806-SD Radio Support Brace 56/57 LH Used Original ..... 10.00
- 18807 Socket & Wire Original Under dash Speaker  
To Radio Replacement ..... 12.10
- 18810 Nut Special Thin for Radio Shafts ..... 2.20

**ANTENNA KITS**



18813



18813-B

- 18813 Antenna Kit Concourse with Groove at Base ..... 65.00
- B7A18813A Antenna Kit Rear Deck Mount 57 ..... 100.00
- B5A18813C Antenna Kit Replacement ..... 60.00
- 18832 Condenser Radio Suppression ..... 20.00
- 18869 Radio Volume Control Wire (Also see Page 105) ..... 31.88
- 18870-A Hood Grounding Clip 55 ..... 3.40
- 18870-B Hood Grounding Clip 56/57 ..... 3.40
- 18912 Grommet Antenna Lead ..... 3.45
- 18919-A Gasket Antenna Base ..... 3.00
- 18919-B Stanchion Antenna Black Plastic ..... 10.45
- 18919-C Gasket Antenna Base Rear Mount Antenna 57 ..... 7.50

**RADIOS**



18806-C

Available of the 55/57 Thunderbird in Chrome. The Features Include: 200 Watt AM/FM with Auxiliary Input, Electronic Tuning, Separate Bass and Treble Control, Digital Clock, Fade, Rear Pre-outs, Chrome Face

18806-A ..... 229.00

Available of the 55/57 Thunderbird in Chrome. The Features Include: 200 Watt AM/FM Cassette with Auxiliary Input, Auto Reverse, Electronic Tuning, Separate Bass and Treble Control, Digital Clock, Fade, Rear Pre-outs, Chrome Face

18806-B ..... 259.00

**RADIO**

Available of the 55/57 Thunderbird in Chrome. The Features Include: 300 Watt AM/FM, USB, MP3/WMA Playbacks, CD-Changer-IPOD Controller, Electronic Volume and Tuning, Digital Clock, RDS/RDBS Radio Tuning, Auxiliary Inputs, 4-Channel Rear Outputs, Separate Bass and Treble Controls, Seek Tuning

18806-C ..... 279.00

**RADIO KNOBS AND BEZELS**



18829-D 18829-S 18830

- 18829D Radio Knobs Black & Chrome "D" Shaft ..... 15.75
- 18829S Radio Knobs Black & Chrome "Split" Shaft ..... 15.75
- 18830 Radio Bezel Disc Knob Chrome ..... 13.00

**Original 55/56 Radios use 2-18829S**

**Original 57 Radio use 1-18829D & 18829S**

**Can use 18829S on our 18806-A/B/C Radio's**

- 533223 Lens-Radio Dial-Plastic 55 ..... 19.95
- 536273 Lens-Radio Dial-Plastic 56/57 ..... 19.95
- \*536283 Switch Radio ON & OFF ..... Call

H  
I  
L  
L  
S  
  
T  
H  
U  
N  
D  
E  
R  
B  
I  
R  
D  
  
C  
E  
N  
T  
E  
R



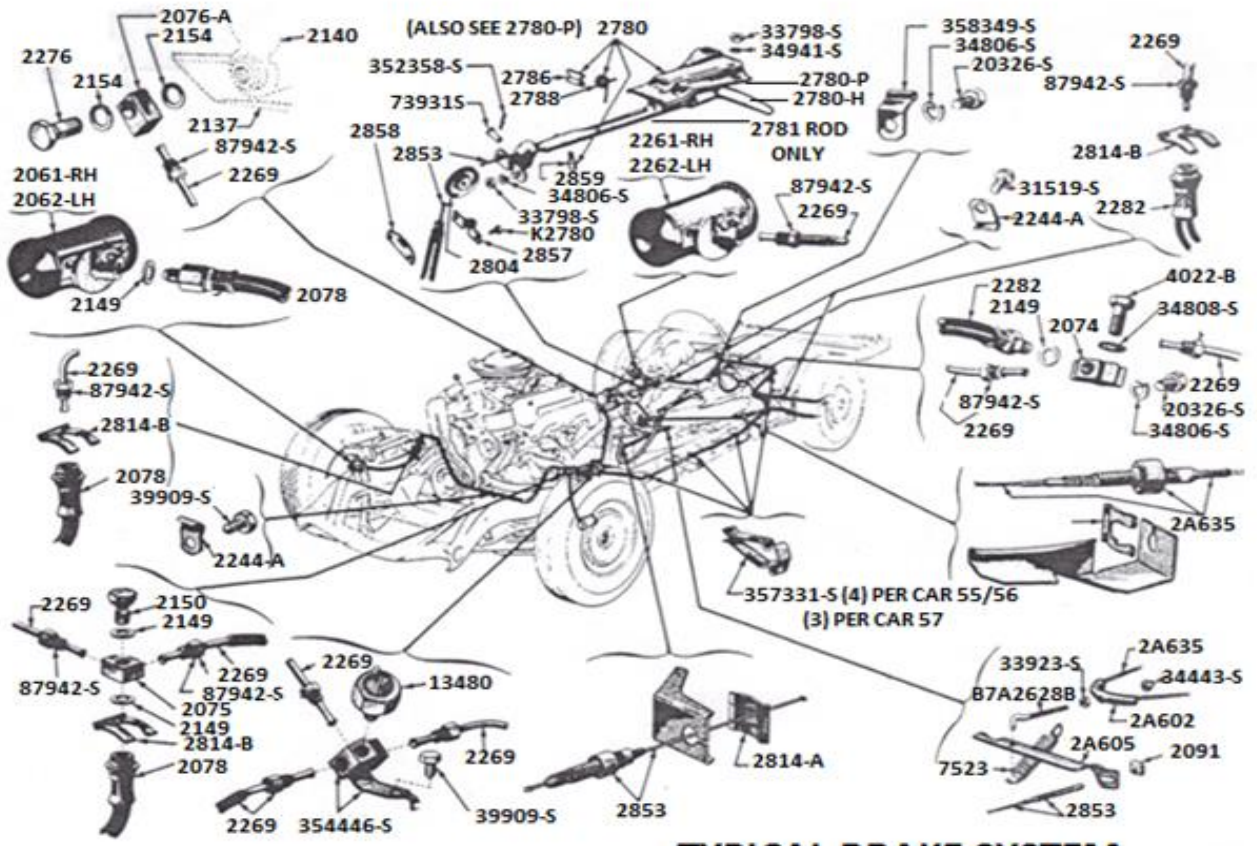
**Inspection Stamp Set-Kit**  
ISS-KIT ..... 375.00

**Call for more Information on Rental Of Stamp Kit or Purchasing Pieces.**

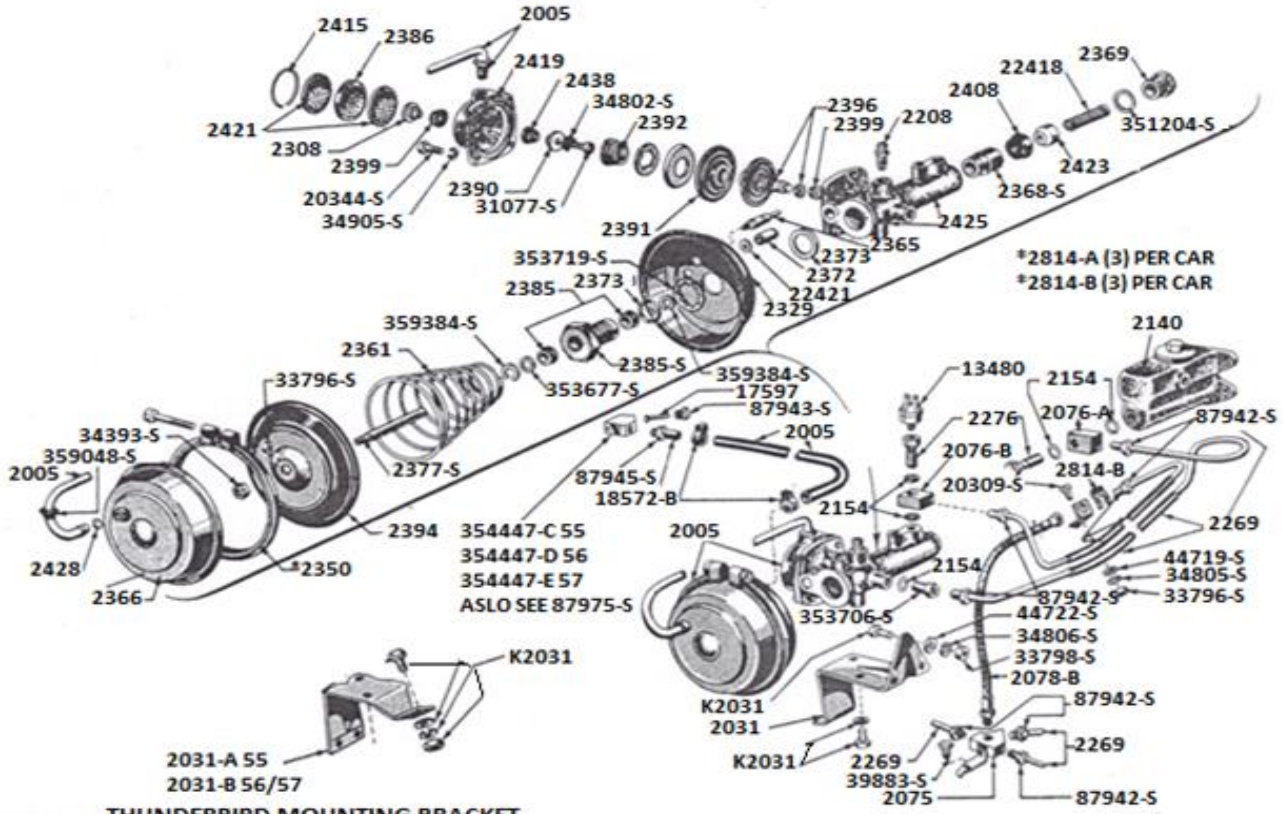
**866-949-1956**



H  
I  
L  
L  
  
T  
H  
U  
N  
D  
E  
R  
B  
I  
R  
D  
  
C  
E  
N  
T  
E  
R

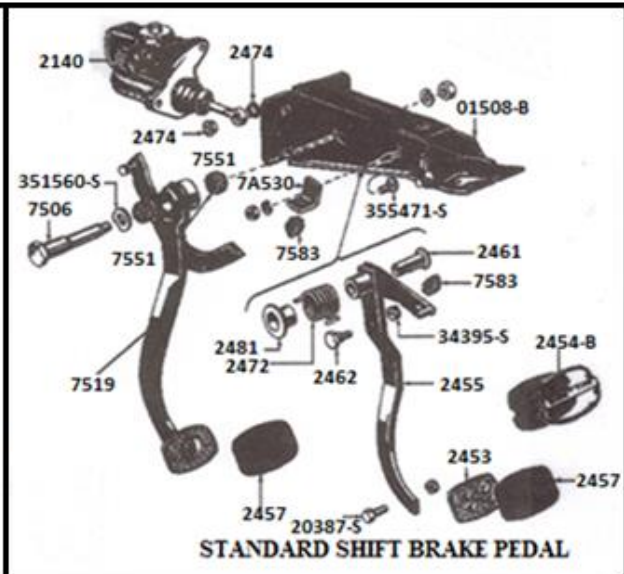
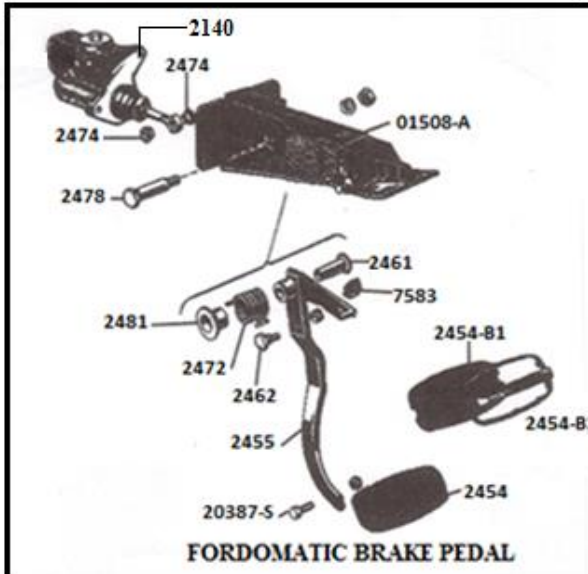
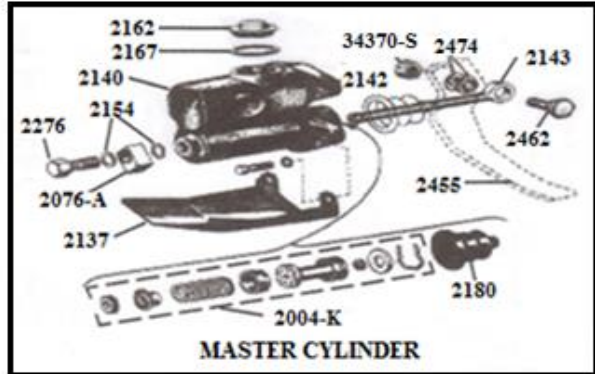
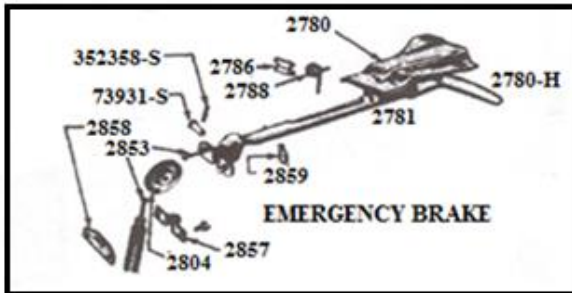
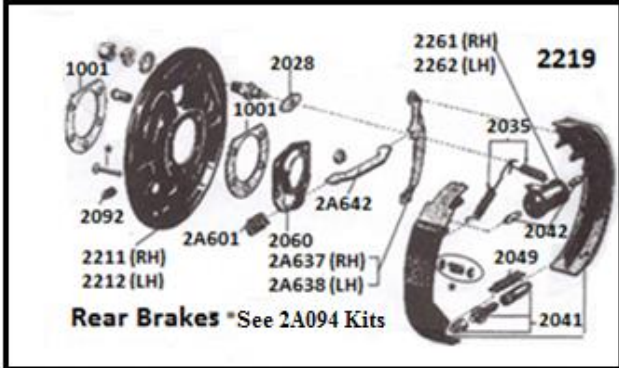
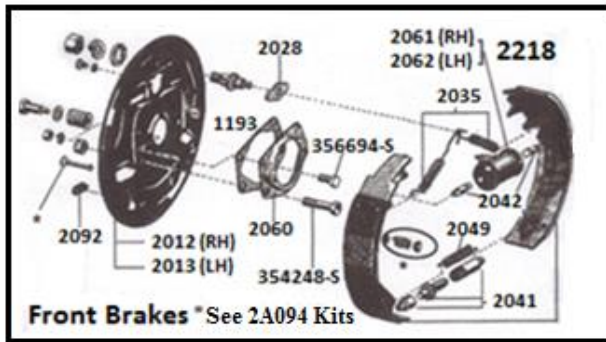
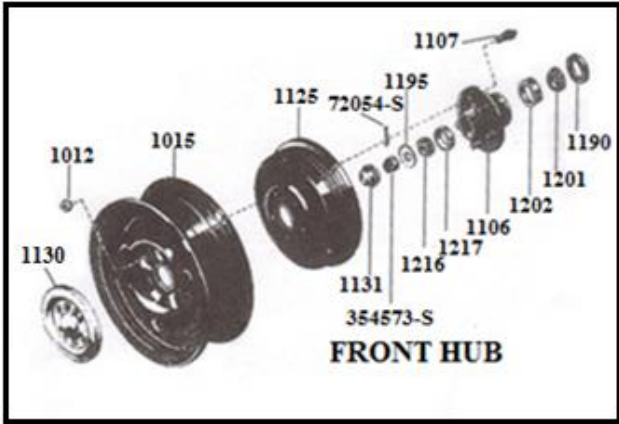
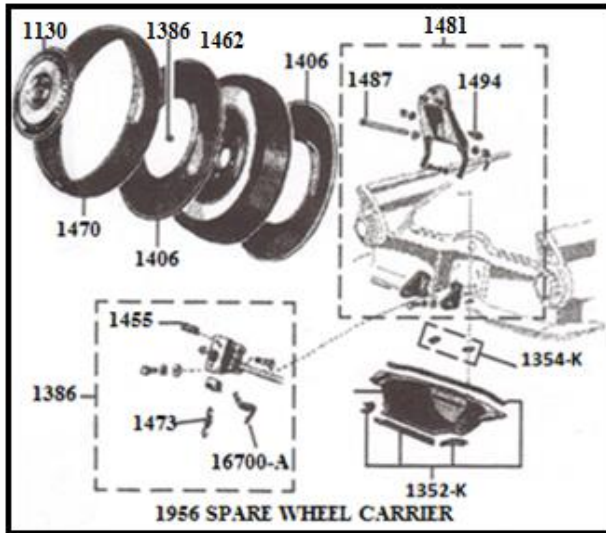


TYPICAL BRAKE SYSTEM

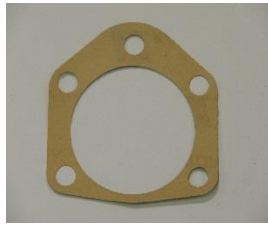


THUNDERBIRD MOUNTING BRACKET

POWER BRAKE BOOSTER



**WHEEL**



1001



1012



1150



1151



1705-CK

1001	Gasket, Axle Retainer.....	0.95
1012	Wheel Lug Nut, Each.....	0.70
1012-K	Wheel Lug Nut Kit, Contains (20-1012 Lug Nuts).....	12.60
1150	Clip & Bumper, Wire Wheel Cover Retaining.....	4.15
1151	Rubber Bumper Only, Wire Wheel Cover Clip.....	.50
1705-CK	Valve Extensions – use with 1130-EV 5-Pieces.....	9.45

**Also See Page-22 for More Tire Schrader Valves & Caps**

**55/56 Wheels are Painted Body Color on Inside & Outside While 57 were Painted Black on the Inside and Body Color on the Outside**



1015B

Ford Wheels were Made By Kelsey-Hayes Co. Letters K-H were Stamped Near the Lug Holes FoMoCo was Stamped Opposite side of K-H On all Three Years 55/56 Wheel had (4) Openings In the Wheel. 57 Wheels were Solid

*1015-A	55/56, Wheel, 15" x 5" – used Original.....	Call
*1015-B	57, Wheel, 14" x 5" – used Original.....	Call

**ROADSTER WIRE WHEELS**

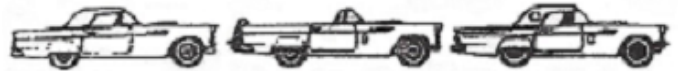
**Wheels are Stainless Steel and Center Spinner is Chrome, Includes Spinner. Specify, Black, Blue, Green, Red Emblems.**

**\*Note: The Wheels Must be used with Inner Tube**

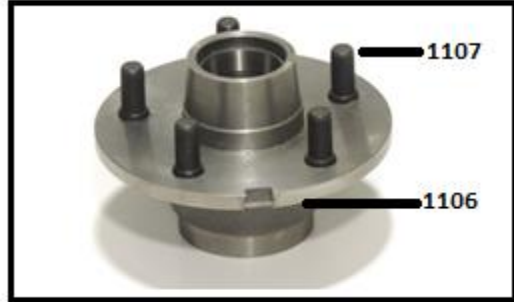


1015-C	Wire Wheel 15" 55/56 Includes Spinner.....	499.95
1015-D	Wire Wheel 14" 57 Includes Spinner.....	499.95

1130-S	Spinner for Wire Wheel, Specify Color.....	74.95
1102-A	Front Wheel Hub Assembly, Used Original 55/56.....	Call
1102-B	Front Wheel Hub Assembly, Used Original 57.....	Call
K1125	Kit Front Brake Drum to Spindle.....	23.75



**HUB / BRAKE DRUM / WHEEL COVERS**



**1106-MADE IN THE USA**

1106	Hub Center Only 55/57 (New Item).....	109.95
1107	Stud, Wheel.....	3.15



**BRAKE DRUMS**

**MADE IN THE U.S.A.**

**(New Item)-Per Original Specifications-Balanced**

1125-A	Brake Drum Front 55/56.....	139.00
1125-B	Brake Drum Front 57.....	139.00
<b>Note: See Part Number 1106 for Replacement Hub Only</b>		
1126-A	Brake Drum Rear 55/56.....	139.00
1126-B	Brake Drum Rear 57.....	139.00



B5A1130-C

B7A1130-B

B5A1130C	Full Wheel Cover 55/56 Includes Medallion.....	100.00
B7A1130B	Full Wheel Cover 57.....	90.00

**SIMULATED WIRE WHEEL COVER**

**Must use 1150 Clips and 1151 Bumpers to Install onto Wheels. Also, see 1130-E and 1130-EV Wheel Covers**



1130-C	Simulated Wire Wheel Cover.....	99.95
--------	---------------------------------	-------

**WIRE WHEEL COVERS**

**"No Clips" Style Looks just Like Originals**

1130-E	Wire Wheel Cover Snaps Directly onto Rim Like a Full Wheel Cover without use of Old Style Clips.....	143.95
1130-EV	Wire Wheel Cover Same as above but, has a Hole for Valve Stem Extension.....	143.95

H  
I  
L  
L  
S  
  
T  
H  
U  
N  
D  
E  
R  
B  
I  
R  
D  
  
C  
E  
N  
T  
E  
R

**WIRE WHEEL HUBCAP SETS**

These Hubcap Sets are the Simulated Wire Wheel Baskets but, with No Bothersome Clips. Each Set Contains the Baskets and the Small Cap with White or Red Centers. They Look Just Like Original When Installed.

**WIRE WHEEL COVER SETS – CLIPLESS**

1130-E4R	Set of 4 Red Centers 55 .....	669.00
1130-E4W	Set of 4 White Centers 56 .....	669.00
1130-E5R	Set of 5 Red Centers 55 .....	879.50
1130-E5W	Set of 5 White Centers 56 .....	879.50

**WIRE WHEEL COVER SETS – CLIPLESS WITH VALVE HOLE**

1130-EV4R	Set of 4 Red Centers 55 .....	699.60
1130-EV4W	Set of 4 White Centers 56 .....	699.60
1130-EV5R	Set of 5 Red Centers 55 .....	879.50
1130-EV5W	Set of 5 White Centers 56 .....	879.50

**WIRE WHEEL COVER SET - CLIP TYPE**

1130-DK	Set of 4 with 20 Clips Red Centers .....	551.75
1130-EK	Set of 5 with 25 Clips Red Centers .....	688.75
1130-FK	Set of 4 with 20 Clips White Centers .....	551.75
1130-GK	Set of 5 with 25 Clips White Centers .....	688.75

**Use with Simulated Wire Wheel Covers 1130-C/1130-E/1130-EV**

1130-R	Hubcap, 55 – Small Red Painted Center .....	45.95
1130-W	Hubcap, 56 – Small White Painted Center .....	45.95
1131	Dust Cap, Front Hub .....	3.50
1131-T	Dust Cap, Installation Tool .....	12.00



1132

1132-T	Tool, Wire Hubcap Removal- Was Supplied with all 1956 T-Birds Original Equipment Can Be Used on Other Cars .....	10.45
--------	--	-------



1141

1141	55/56 Medallion, for Full Wheel Cover .....	24.85
1150	Clip and Bumper, Wire Wheel Cover Retaining .....	4.15
1151	Rubber Bumper, Wire Wheel Cover Clip .....	0.50
1177	Seal, Rear Axle, 2.5" O.D .....	5.00
1190	Front, Axle Grease Seal .....	3.70

**WHEEL BEARINGS / CONTINENTAL PARTS**



	<b>1001</b>	<b>1193</b>	<b>1225</b>	
1193	Gasket Front Brake Grease Baffle .....			1.05
1195	Washer, Front Axle .....			7.37



	<b>1200-AK</b>			
<b>1200-AK</b>	Front Wheel Bearings & Seal Kit 10 Pieces .....			55.00
<b>1200-BK</b>	Front Wheel Bearings, Seals, 2-1193 Gaskets 2-1131 Grease Caps 2-72054S Cotter Pins .....			69.00

1201	Bearing, Front Wheel Inner .....	10.75
1202	Race, Front Wheel Inner Bearing .....	6.85
1216	Bearing, Front Wheel Outer .....	9.20
1217	Race, Front Wheel Outer Bearing .....	5.85
1225	Rear Axle Bearing Includes Retaining Ring .....	32.00
1225-K	Rear Axle Bearing Kit-Includes 4-1001 Gaskets 2-1177 Axle Seals 2-1225 Axle Bearings .....	69.00



	<b>1352-K</b>	<b>1354-K</b>	<b>1455</b>	
1352-K	56, Seal Kit, Stone Guard (4) Pieces .....			16.75
1353-K	Kit-Continental Seal & Grommet-Includes: 1352-K 1354-K, 1455 .....			29.95
1354-K	56, Grommet Set, Cont. Hinge, (2) Pieces .....			9.50



1352-F

1325-F	56, Stone Guard, (Fiberglass Reproduction) .....	182.36
*1352-M	56, Stone Guard Original (Metal) .....	Call
K1352	Kit Continental Stone Guard 1352 to Mount .....	2.00
K1481	Kit Continental Kit Holder 1481 to Body .....	5.95



1386-H

1481

1386-H	Latch Assembly, 56 Square Wheel Hinge .....	125.00
1406-F	56, Spare Tire (Sidewall) Cover, Fiberglass .....	140.00
1406-M	56, Spare Tire (Sidewall) Cover, Metal Like Original Rubber Beading .....	179.90
	<b>*Rubber Bead Not Sold Separately*</b>	
1406-R	56, Spare Tire (Sidewall) Cover, Metal without Rubber Bead .....	140.00



H  
I  
L  
L  
S  
  
T  
H  
U  
N  
D  
E  
R  
B  
I  
R  
D  
  
C  
E  
N  
T  
E  
R

**SPARE TIRE**



1424

**TECH TIP - This Item Should be Painted Gloss Black!**

1424 Bracket, Spare Tire Holder, 57..... 34.95



1446

**TECH TIP - This Item Should be Painted Gloss Black!**

1446 55, Clamp for Spare Wheel..... 4.15



1448-A 1448-B 1448-C

**TECH TIP - 1448-B Bolt Bracket Mounts to Tub  
1448-C Bolt Bracket Mounts on Trunk Floor**

1448-A 55, Bolt for Spare Wheel..... 8.35  
 1448-B 57, Bolt for Spare Wheel, 6-3/8" Long..... 14.10  
 1448-C 57, Bolt for Spare Wheel, 5-1/2" Long..... 14.10  
 73860-S Pin Spare Wheel Bolt to Trunk Floor 57..... .90  
 73939-S Pin Spare Wheel Plate to Trunk Floor 57..... 1.10  
 352358-S Clip - Clevis Pin Retaining..... 0.85  
 1455 56, Bumper - Spare Wheel Hinge Latch..... 5.50



1457-A

1457-A Wingnut, Spare Wheel (Exactly Like Original)..... 13.95  
 1457-B Wingnut, Spare Wheel (Replacement Type)..... 3.15  
 1470-F 56, Retainer Ring, (Tread Cover) - Fiberglass..... 155.40  
 1470-M 56, Retainer Ring, (Tread Cover) - Metal..... 139.95  
 1470-S Retainer Ring, (Tread Cover) - Stainless..... 189.95

**\*\*1470-S Must be Refinished**



1473 1487 1494

1473 Spring, Cont. Kit Latch..... 8.25  
 1481 Hinge Assy. 56 Spare Wheel Mount Repro..... 129.95  
 1487 56, Bolt, Castle Nut & Washer for Spare Hinge..... 10.45  
 1494 Cont. Kit Hinge Pin with Washer and Nut..... 16.95

**SCHRADER TIRE VALVES & CAPS**

1705 Valve Stem Extension - Concourse Correct - 57..... 13.10  
 1705AK Valve Stem Extensions - Package of 4 1705s  
 And 1 Valve Cap for Spare - 57..... 48.95  
 1705BK Valve Extensions - use with 1130EV 4 Pieces..... 7.55  
 1705CK Valve Extensions - use with 1130EV 5 Pieces..... 9.45  
 VALVE556 Valve - Tubeless Tire - 55/56 - use 5/Car..... 1.00  
 VALVE57 Valve - Tubeless Tire - 57 - use 5/Car..... 1.00  
 VALVECAP Valve Caps - Nickel on Brass - Correct for All  
 55/56's and 57's Without Full Wheel Cover  
 Package of 5 Caps..... 3.15

**BRAKE AND BRAKE BOOSTER PARTS**



2005-D 2005

2005 Booster Assembly Power Brake Requires 2005-D to  
 Convert to 56/57  
 T-Bird Does Not Come with 2365-B Check Valve.... 499.95  
 2005-L Brake Booster Large-Works Best with 2007-K  
 Disc Brake Kit-Requires Fittings-  
 357466-S, 122320, 124320..... Call  
 2005-RA Brake Booster Rebuild Original 1955..... 399.95  
 Core Charge\*..... 250.00  
 2005-RB Brake Booster Rebuild Original 1956-57..... 399.95  
 Core Charge\*..... 250.00

**\*For Credit Core Must have FOMOCO on Outer Cover**

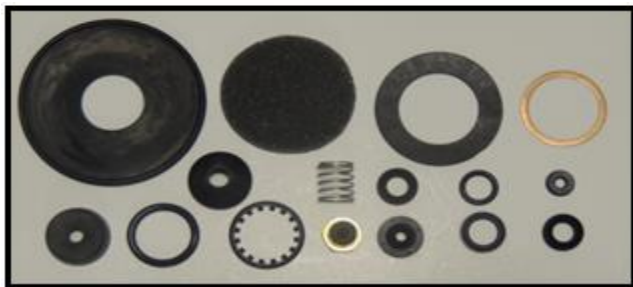


Top: 2005-A Middle: 2005-B Bottom: 2005-C

2005-A Power Brake Booster Vacuum Line 56..... 11.50  
 2005-ASS Same as Above Stainless..... 17.22  
 2005-B Power Brake Booster Vacuum Line 56..... 11.50  
 2005-BSS Same as Above Stainless..... 17.25  
 2005-C Power Brake Booster Vacuum Line 57..... 12.25  
 2005-CSS Same as Above Stainless..... 18.25  
 2005-CE Power Brake Booster Vacuum Line Dual 4..... 10.45  
 2005-CESS Same as Above Stainless..... 14.65  
 2005-D Power Brake Booster Vacuum Line to Convert  
 Passenger Car Booster to T-Bird 56/57..... 10.45  
 2005-DSS Same as Above Stainless..... 14.65  
 2005-E Clip to Hold 2005-B & C TO 9180 Bracket..... 1.85  
 2005-G Vacuum Hose Flex Power Brake Booster..... 2.75  
 2005-GE Vacuum Hose Flex Power Brake Booster 57 - E..... 3.75  
 2005-GF Vacuum Hose Flex Power Brake Booster 57 - F..... 3.90  
 18572-B Clamp Power Brake Booster Vacuum Hose..... 4.25

H  
I  
L  
L  
S  
  
T  
H  
U  
N  
D  
E  
R  
B  
I  
R  
D  
  
C  
E  
N  
T  
E  
R

**BRAKES / BRAKE BOOSTER**



2005-K Rebuild Kit Power Booster..... 109.95  
 \*Does not Include the (2394) Diaphragm see Page 25

**POWER BRAKE BOOSTER INSTALL KIT**

All the Parts You Need to Add Power Brakes to Your Thunderbird  
 \*Comes with Standard Booster-Ask About Larger Diameter  
 Booster

2006-K55 Brake Booster Kit 1955..... 685.00  
 2006-K56 Brake Booster Kit 1956..... 685.00  
 2006-K57 Brake Booster Kit 1957..... 685.00

**FRONT DISC BRAKES**



2007-K

Kit Includes Rotors, 4 Piston Loaded Calipers, Bearings, Bearing  
 Spacer, Seals, Rear Wheel Cylinders, Mounting Bracket, Dual  
 Master Cylinder, Lines, Hardware.

Specify Power or Manual Brakes and Year when Ordering

\*Not Eligible for Discount-Kits are Dropped Shipped to You.

\*\*See 2B257-K Combination Valve Kit for added Safety

2007-K Disc Brake Kit ..... 1150.00  
 2001-P Replacement Pads for Disc Brake Kit ..... 34.95  
 2B257-K Combination Valve Kit-See Page 24 ..... 190.00  
 \*2027 Pin Brake Shoe Anchor..... Call  
 2028 Retainer, Upper Brake Shoe ..... 6.95  
 \*2029 Washer Shoe Brake Anchor..... Call

**MASTER CYLINDER PARTS**

See Page 19 for Master Cylinder Illustration

2004-K Master Cylinder Repair Kit ..... 25.98  
 2076-A Connector Block Master Cylinder Outlet ..... 11.40  
 2137-B Drip/Heat Shield SS ..... 15.95  
 2140 Master Cylinder New ..... 79.95  
 2142 Plastic Tip Master Cylinder Push Rod ..... 7.00  
 2143 Master Cylinder Push Rod ..... 19.95  
 2154 Gasket Brake Line 2/Car 5/Car P/Brake..... 1.76  
 2162-A Master Cylinder Cap with FOMOCO  
 55 Early 56 with 2167 Gasket ..... 46.15  
 2162-B Master Cylinder Cap with BB Marking  
 56 & 57 with 2167 Gasket..... 41.95  
 2162-C Master Cylinder Cap Replacement ..... 11.00  
 2167 Gasket Master Cylinder Cap ..... 1.55  
 2180 Boot Master Cylinder ..... 3.95  
 2276 Bolt Brake Master Cylinder ..... 15.00  
 2474 Bushing Master Cylinder Push Rod Pair ..... 12.00

**BRAKES**

2031-A 55, Bracket Power Brake Booster.....49.95  
 2031-B 56/57 Bracket Power Brake Booster..... 49.95  
 2035 Spring, Brake Shoe Retracting, (Top).....2.00



2041

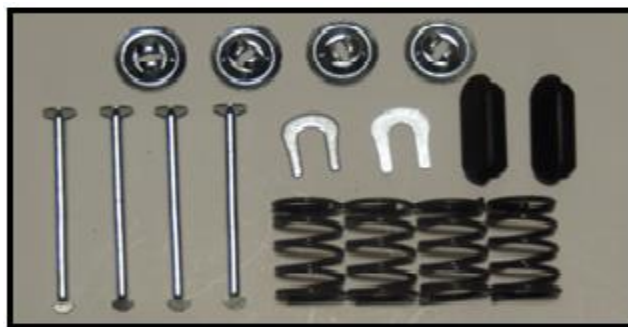
2041 Brake Adjuster, (3) Pieces..... 10.79  
 2042 Link, Brake Shoe to Cylinder ..... 4.95  
 2049 Spring, Brake Shoe Adjuster ..... 2.10  
 \*2060 Backing Plate Flange Used Original ..... 10.00  
 2061 Brake Cylinder, Front Wheel RH..... 24.95  
 2062 Brake Cylinder, Front Wheel LH ..... 24.95  
 K2061 Kit Wheel Cylinders to Backing Plate (All 4)..... 3.75  
 2066 Cup Brake Shoe Hold Down Spring..... 0.75  
 2068 Spring Brake Shoe Hold Down ..... 3.75  
 2069-1 Pin Brake Shoe Hold Down #1 ..... 0.80  
 2069-2 Pin Brake Shoe Hold Down #2 ..... 0.80  
 2069-8 Pin Brake Shoe Hold Down #8 ..... 0.80  
 2073 Bracket, Rear Axle Brake Lock, 57 ..... 10.45



2074-B 2074-A 2076-A 2076-B

2074-A Bracket, Rear Axle Brake Block, 55/56 ..... 64.95  
 2074-B Bracket, Rear Axle Brake Block, 57 ..... 48.95  
 2074-C Bracket Only for 2074-A Connector 55/56 ..... 7.95  
 2075 Brass Fitting, Front LH Brake Block..... 15.65  
 2076-A Brass Fitting, Master Cylinder Outlet ..... 11.40  
 2076-B Brass Fitting, Power Brake Booster ..... 13.95  
 2078-A Hose Front Wheel Cylinder Brake ..... 17.16  
 2078-B Hose Brake Booster to Frame Block..... 21.45  
 2091 Nut, Park Brake Equalizer Lever..... 3.68  
 8A2092 Plug Rubber Brake Adjusting Hole ..... 0.75  
 354446-S Connector Brake Front Lines and Stop Light  
 Switch-Mounts on Frame..... 64.95

**BRAKE SHOE HOLD DOWN KITS**



2A094-A

2A094-A Brake Hold Down Kit Front 55/57 ..... 9.00  
 2A094-B Brake Hold Down Kit Rear 55/56 ..... 9.00  
 2A094-C 57, Rear Brake Shoe Hold Down Kit..... 9.00  
 2A094-AK Brake Shoe Hold Down Kit 55/56  
 Includes Front & Rear with springs..... 32.40  
 2A094-BK Brake Shoe Hold Down Kit 57  
 Includes Front & Rear with springs ..... 32.40  
 2106 Retainer Park Brake Lever ..... 0.69  
 2128-A Kit, Rear Cylinder Repair, 15/16" Bore..... 8.35  
 2128-B Kit, Rear Cylinder Repair, 1-1/8" Bore ..... 9.40  
 2128-C Kit, Rear Cylinder Repair, 7/8" Bore ..... 9.40  
 2137 Drip/Heat Shield under Master Cylinder Stainless ... 15.95  
 2137-55 Drip/Heat Shield Early 55 ..... Call

H  
I  
L  
L  
  
T  
H  
U  
N  
D  
E  
R  
B  
I  
R  
D  
  
C  
E  
N  
T  
E  
R



**BRAKES / MASTER CYLINDER**



	<b>2137</b>	<b>2140</b>	
2137-L	Drip/Heat Shield for Dual Master Cylinder Stainless	20.95	
2140	Master Cylinder Assembly (New)	79.95	
<b>See Page 23 for List of Master Cylinder Parts</b>			
<b>Master Cylinder-Natural or Paint Black</b>			
2140-A	Master Cylinder Original 55/56 FoMoCo-Out Board Side With FAA2155 1" DIA. Inboard Side	Call	
2140-B	Master Cylinder Original 57 FAA2155A Inboard Side 1" DIA.-With BB on Out Board Side	Call	
<b>M4011/12</b>	<b>Silicone Brake Fluid (Dot-5) High Quality Formula Does Not Absorb Water-Will Not Remove Paint High Vaporization Point-Will Not Corrode Parts (11 Fluid Ounce Bottle)</b>	<b>10.75</b>	
2140-D	Dual Master Cylinder with Fittings Use with Aftermarket Disc Brake Kit Only	130.00	
2142	Plastic Cap Master Cylinder Push Rod End	7.00	
2143	Rod, Master Cylinder to Brake Pedal	19.95	
2149	Brass Seal, Brake Line	0.85	
2150	Bolt, Brake Block, LH Front	5.20	
2154	Brass Seal, Brake Line 2/Car 4/Wpb	1.76	



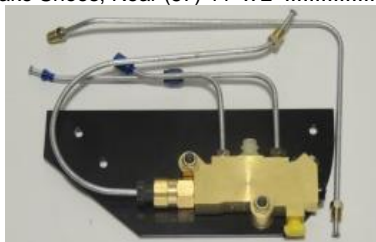
	<b>2162-A</b>	<b>2162-B</b>	<b>2162-C</b>
2162-A	Cap, Master Cylinder with FoMoCo 55 & Early 56 with Gasket 2167		46.15
2162-BB	Cap, Master Cylinder with "BB" Markings 56 & 57 with 2167 Gasket		41.95
2162-C	Cap, Master Cylinder, Replacement		11.00
2167	Gasket, Master Cylinder Cap		1.55
2180	Boot, Master Cylinder		3.95
2208	Bleed Screw, Wheel Cylinder & Brake Booster		3.10

**Includes Front & Rear Brake Shoes, 4-Wheel Cylinders, Brake Hoses Front & Rear, All the Hardware, Springs**

<b>2210-A</b>	<b>1955</b>	<b>225.90</b>
<b>2210-B</b>	<b>1956</b>	<b>225.90</b>
<b>2210-C</b>	<b>1957</b>	<b>213.90</b>

**Does Not Include 2041 Brake Shoe Adjusters**

2218-A	Brake Shoes, Front (55/56) 11" x 2-1/4"	39.95
2218-B	Brake Shoes, Front (57) 11" x 2-1/2"	32.40
2219-A	Brake Shoes, Rear (55/56) 11" x 1-3/4"	39.95
2219-B	Brake Shoes, Rear (57) 11" x 2"	32.40



**2B257-K**

**COMBINATION VALVE**

Install this Valve Kit Along with Disc Brakes Above and Split Your Brake System into Independent Front and Rear. If You Bust a Brake Line or Hose, You'll Only Lose Front or Rear Brakes Not Both. Ready to Bolt on. No Drilling Required. Designed for Full Compatibility with Disc Brakes. We

Cannot Guarantee they Will Fit Other Systems. Specify Power or Manual and Year when Ordering.

2B257K	Combination Valve Kit	190.00
--------	-----------------------	--------

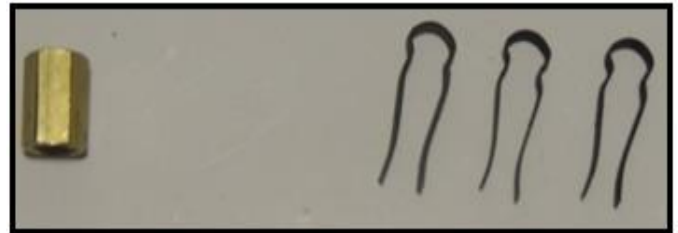
**BRAKE LINES / WHEEL CYLINDERS**

2244-A	Clip, Brake Line	1.65
*2248-A	Bolt Rear Brake Carrier Plate 55/56	Call
2248-B	Bolt Rear Brake Carrier Plate 57	5.18
2261-A	1955 RH Rear Wheel Cylinder	14.45
2261-B	56/57 RH Rear Wheel Cylinder	14.45
2262-A	1955 LH Rear Wheel Cylinder	14.45
2262-B	56/57 LH Rear Wheel Cylinder	14.45
K2062	Wheel Cylinders to Backing Plate (All 4)	3.75
2269	Spring Rear Brake Lines Included with 2269-K & N.	3.00

**FORMED BRAKE LINES**

**ALL OF OUR BRAKE LINES ARE SHOW QUALITY AND CUSTOM FORMED TO ORIGINAL SPECIFICATIONS!**

2269-A	Brake Line, Master Cylinder to Frame Block Manual Brakes	15.65
2269-ASS	Same as Above - Stainless Steel	23.45
2269-B	55 - Brake Line, Master Cylinder, to Power Brake Booster	11.50
2269-BSS	Same as Above - Stainless Steel	17.25
2269-C	56 - Brake Line, Master Cylinder, to Power Brake Booster	11.50
2269-CSS	Same as Above - Stainless Steel	17.25
2269-D	57 - Brake Line, Master Cylinder, to Power Brake Booster	14.50
2269-DSS	Same as Above - Stainless Steel	21.00
2269-E	Brake Line, Crossover under Engine	22.95
2269-ESS	Same as Above - Stainless Steel	33.95
2269-F	Brake Line, Between Frame Block & LF Wheel Brass Connector	13.95
2269-FSS	Same as Above - Stainless Steel	20.40
2269-G	Brake Line, Frame Block to Midpoint on Frame, All Years	22.95
2269-GSS	Same as Above - Stainless Steel	33.90
2269-H	Brake Line, 55 Midpoint on Frame to Rear Brake Hose	31.45
2269-HSS	Same as Above - Stainless Steel	46.90
2269-I	Brake Line, 56 Midpoint on Frame to Rear Brake Hose	31.45
2269-ISS	Same as Above - Stainless Steel	46.90
2269-J	Brake Line, 57 Midpoint on Frame to Rear Brake Hose	31.45
2269-JSS	Same as Above - Stainless Steel	46.90
2269-K	Brake Line, 55-56, Rear Axle, RH	20.95
2269-KSS	Same as Above - Stainless Steel	39.25
2269-L	Brake Line, 57, Rear Axle, RH	20.95
2269-LSS	Same as Above - Stainless Steel	39.25
2269-M	Brake Line, 55-56, Rear Axle, LH	14.60
2269-MSS	Same as Above - Stainless Steel	23.50
2269-N	Brake Line, 57, Rear Axle, LH	13.60
2269-NSS	Same as Above - Stainless Steel	23.50
2269-AA	Vacuum Line Pump to Carburetor 55	9.95
2269-AB	Vacuum Line Pump to Carburetor 56	9.95
2269-AC	Vacuum Line Pump to Manifold 57	9.95
2269-AD	Vacuum Line for Wipers 55	9.95
2269-AE	Vacuum Line for Wipers 56/57	9.95



<b>87212-S</b>	<b>357331-S</b>	
87212-S	Union Brake Line on Side of Frame	1.35
357331-S	Clip Brake Line to Frame 3/Required	2.70

**COMPLETE SET OF PRE-FORMED BRAKE LINES INCLUDES ALL STEEL LINES NEEDED FOR YOUR THUNDERBIRD**

**SEE PAGE 29 FOR ADDITIONAL BRAKE PARTS**



**STEEL BRAKE LINE KITS**

1955		
2269-55P	Steel Brake Lines 55 with Power Brakes.....	128.35
2269-55M	Steel Brake Lines 55 with Standard Brakes .....	132.60
1956		
2269-56P	Steel Brake Lines 56 with Power Brakes.....	128.35
2269-56M	Steel Brake Lines 56 with Standard Brakes .....	132.50
1957		
2269-57P	Steel Brake Lines 57 with Power Brakes.....	130.35
2269-57M	Steel Brake Lines 57 with Standard Brakes .....	131.50

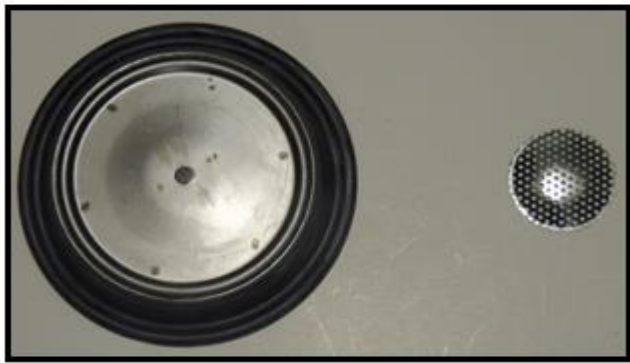
**STAINLESS STEEL BRAKE LINE KITS**

1955		
2269-55PSS	Stainless Steel Brake Lines 55 with Power Brakes .....	195.20
2269-55MSS	Stainless Steel Brake Lines 55 with Standard Brakes.....	201.40
1956		
2269-56PSS	Stainless Steel Brake Lines 56 with Power Brakes .....	195.20
2269-56MSS	Stainless Steel Brake Lines 56 with Standard Brakes.....	201.40
1957		
2269-57PSS	Stainless Steel Brake Lines 57 with Power Brakes .....	198.95
2269-57MSS	Stainless Steel Brake Lines 57 with Standard Brakes.....	201.40

2276	Bolt – Brake – Master Cylinder & P/B Booster .....	12.00
	<b>Master Cylinder Bolt 2276-Copper Coated</b>	
2282	Brake Hose, Rear Axle .....	15.30
*2308	Disc P/B Booster Control Valve .....	Call
*2361	Spring Power Brake Booster.....	Call



	<b>*2365-A</b>	<b>2365-B</b>	
*2365-A	Check Valve Booster Original .....	Call	
2365-B	Check Valve Booster Replacement.....	26.20	
*2366	Cover Brake Booster with FOMOCO Logo-Used .....	Call	
2368-S	Piston Booster Stainless 55/57 .....	24.00	
*2369	Plug Power Brake Booster.....	10.00	
*2373	Gasket P/B Booster 2" O.D. - 1-1/4" I.D. ....	Call	
2377	Rod P/B Booster to Large Diaphragm.....	7.25	
2377-S	Same as Above Stainless .....	15.00	
2385-S	Seal Housing Stainless 55/57 with Seal New .....	50.00	
2386	Foam Filter PB Booster Control Valve Inlet.....	1.55	
*2390	Spacer P/B Booster Control Valve Spring to Disc ....	Call	
*2391	Booster Control Valve Diaphragm.....	20.00	



2394	Diaphragm & Pressure Plate PB Booster Cylinder ...	67.95
*2399	Seal P/B Booster Control Valve Piston.....	Call
2421	Breather Screen Brake Booster Plated .....	6.15
*2453	Plate Brake Pedal Pad Used Original.....	20.00

**BRAKE PADS / BRAKE EMERGENCY PARTS**



	<b>2454-A</b>	<b>*2454-BK</b>	
			*Includes (1) 2454B1 & (1) 2454B2
2454-A	Brake Pedal Pad with FM .....	19.95	
*2454-B	Pad Brake Pedal "Swift sure" With Manual Transmission .....	Call	
2454-B1	Power Brake Pedal Pad with F/M Swift Sure Stainless Band Not Attached.....	29.00	
2454-B2	Stainless Steel Band with Embossed Swift Sure Markings to be used with 2454B1 Pedal Pad Not Supplied, Attached, Comes with Very Easy to Do Attaching Instructions. Sorry, but these are FOMOCO's Rules.....	14.95	
2454-BK	Purchase both 2454-B1 & 2454-B2 at the Same Time & Save \$4.00, Pieces Not Assembled .....	39.95	
*2455	Pedal Assembly Brake 55/57 Used Original .....	40.00	



	<b>*2454-B</b>	<b>2457-F</b>	
2457-A	Pad, Clutch, and Brake Pedal 55/56.....	10.95	
2457-B	Pad, Clutch, and Brake Pedal 57.....	5.45	
2457-F	Pad, Clutch, and Brake Pedal Ford Originals.....	13.85	
2461	Bushing, Brake Pedal.....	13.50	
2462	Bolt, Master Cylinder Rod End .....	20.00	
*2472	Spring, Brake Pedal Used Original .....	10.00	
2474	Bushing, Master Cylinder Rod Bolt, (Pair) .....	12.00	
2481	Bushing, Brake Pad Spring .....	20.50	
2A601	Spring, Brake Equalizer.....	2.10	
2A602	Emergency Brake Cable Holder, Rear (New) .....	29.95	
2A605	Bar, Emergency Brake Cable Tension .....	15.70	
B7A2628B	Rod, Emergency Brake Cable .....	15.00	
2A635-A	55-56 Cable, Emergency Brake Rear .....	35.95	
2A635-B	57 Cable, Emergency Brake, Rear .....	35.95	



	<b>2A605</b>	<b>2A637</b>	<b>2A638</b>	<b>2A642</b>	
2A637	Emergency Brake Lever RH (New).....	34.95			
2A638	Emergency Brake Lever LH (New) .....	34.95			
2A642	Equalizer, Emergency Brake .....	19.95			
351467-S	Washer Park Brake Lever Pin .....	1.50			

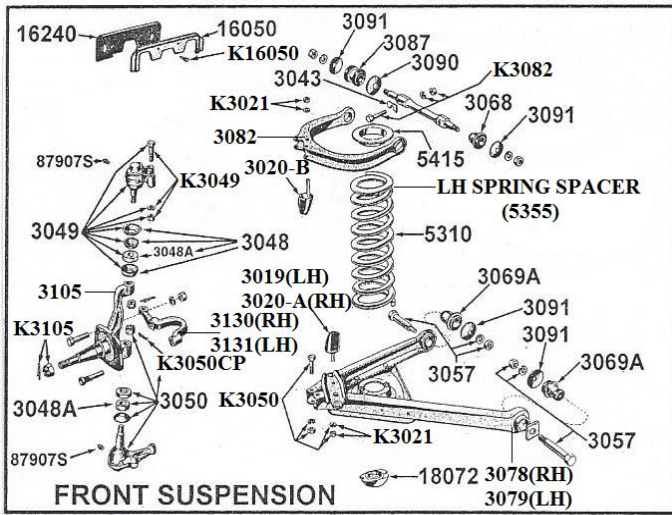


Top: 2780 Bottom:2781-Does not come with 2780  
\*Limited Availability

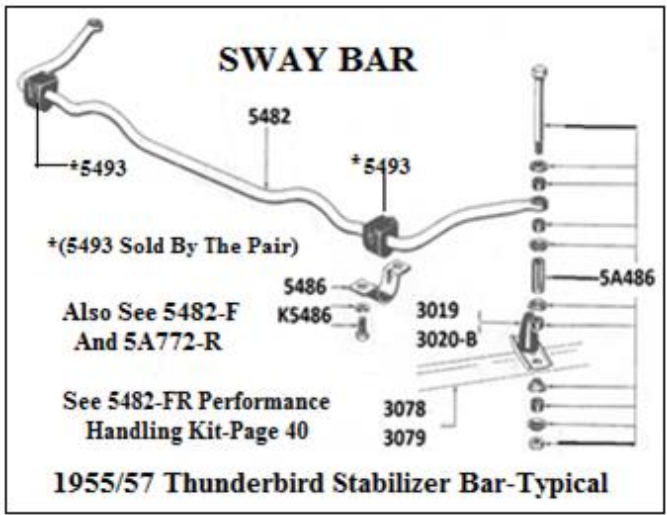
**SEE PAGE 29 FOR ADDITIONAL BRAKE PARTS**

H  
I  
L  
L  
S  
  
T  
H  
U  
N  
D  
E  
R  
B  
I  
R  
D  
  
C  
E  
N  
T  
E  
R

ILLUSTRATION FRONT SUSPENSION

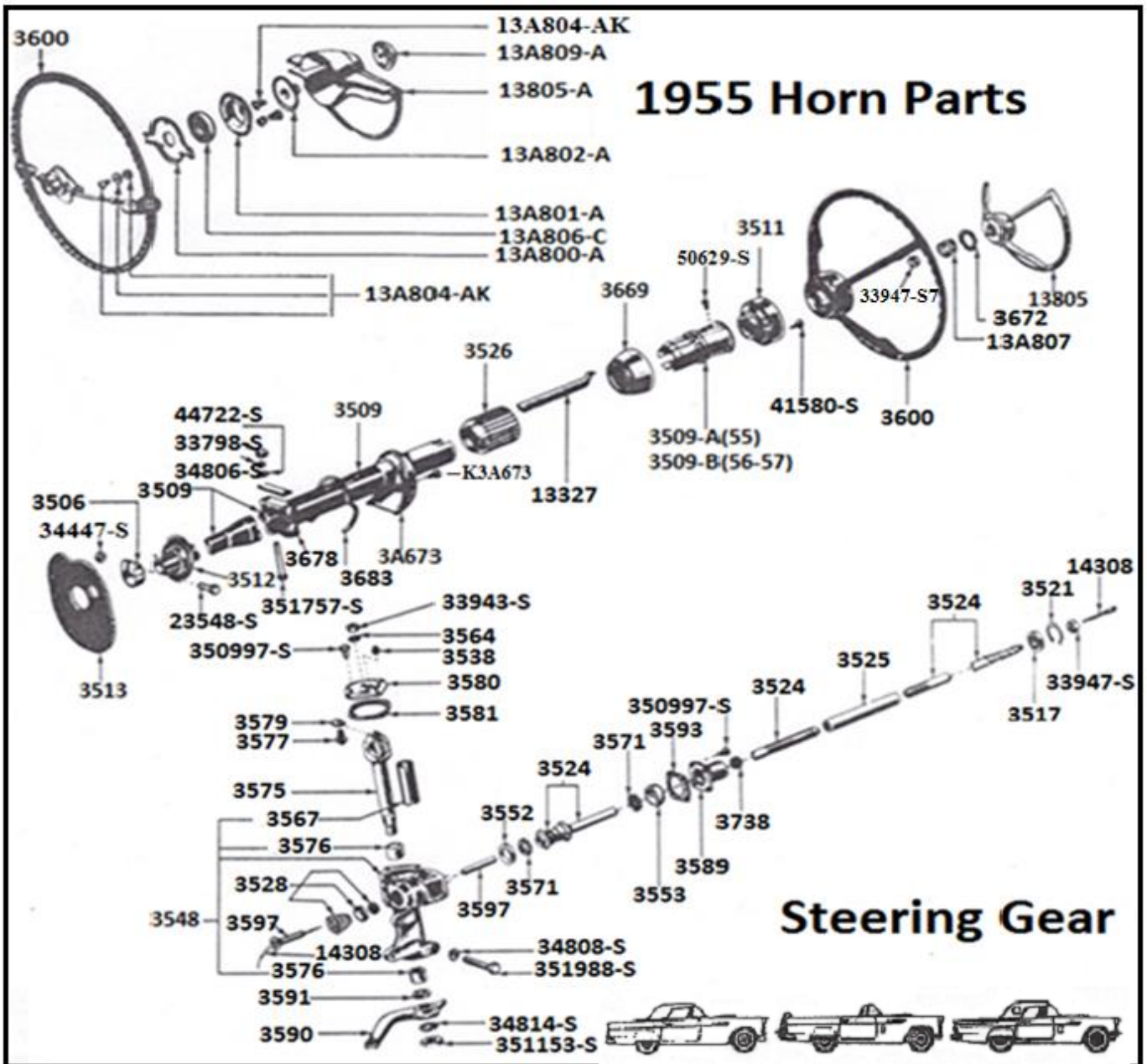


STEERING COLUMN & FRONT SWAY BAR

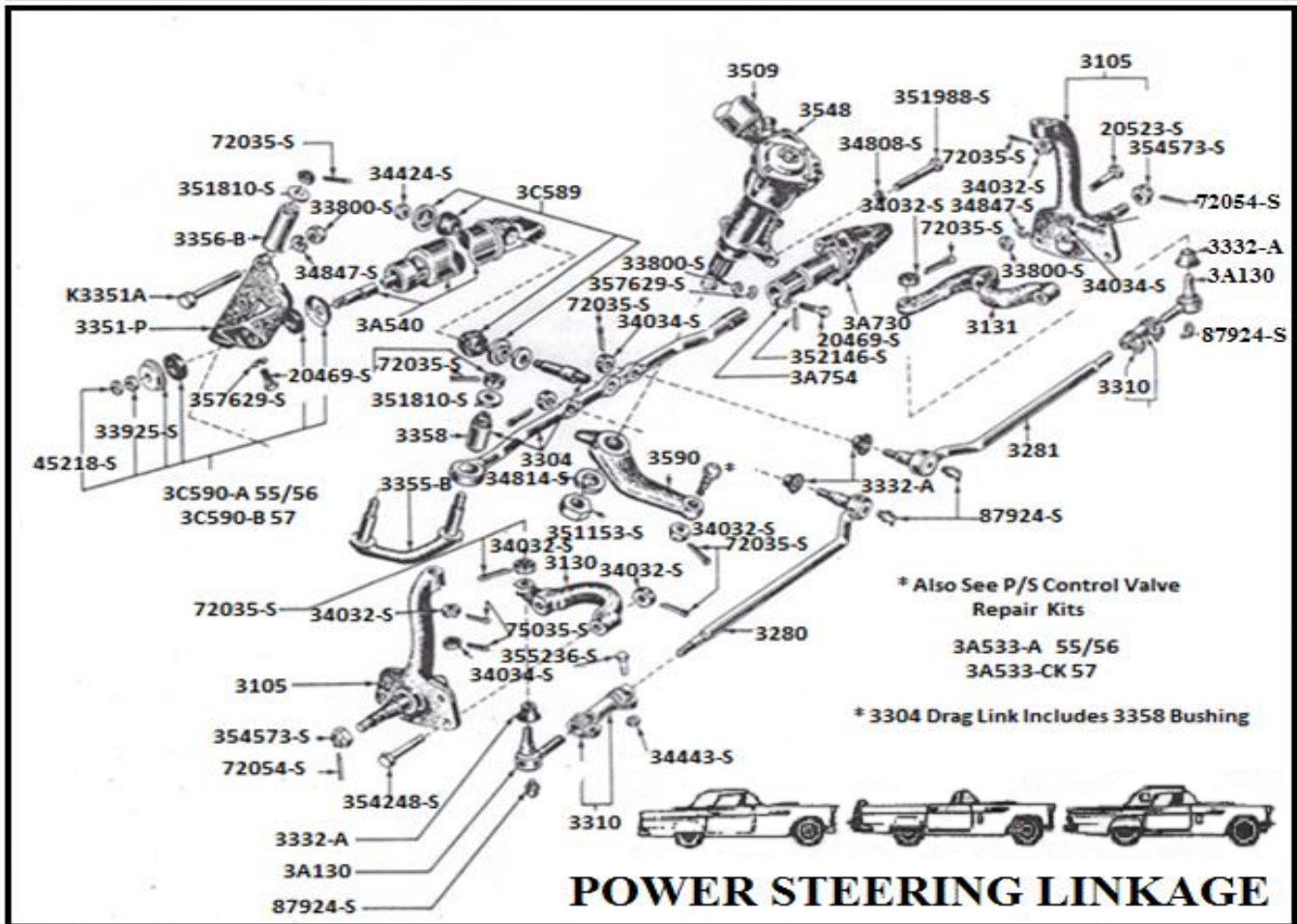
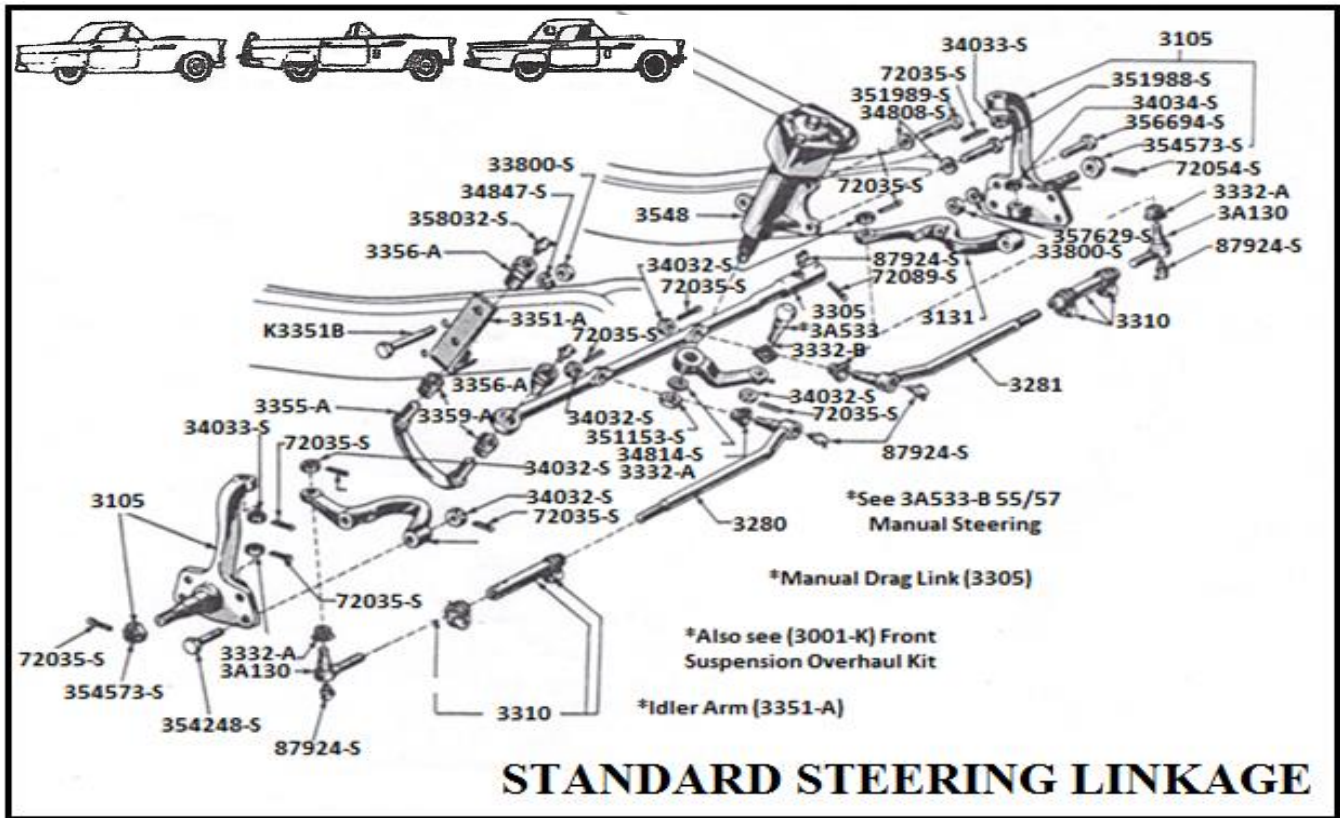


HILL'S THUNDERBIRD CENTER 866-949-1956

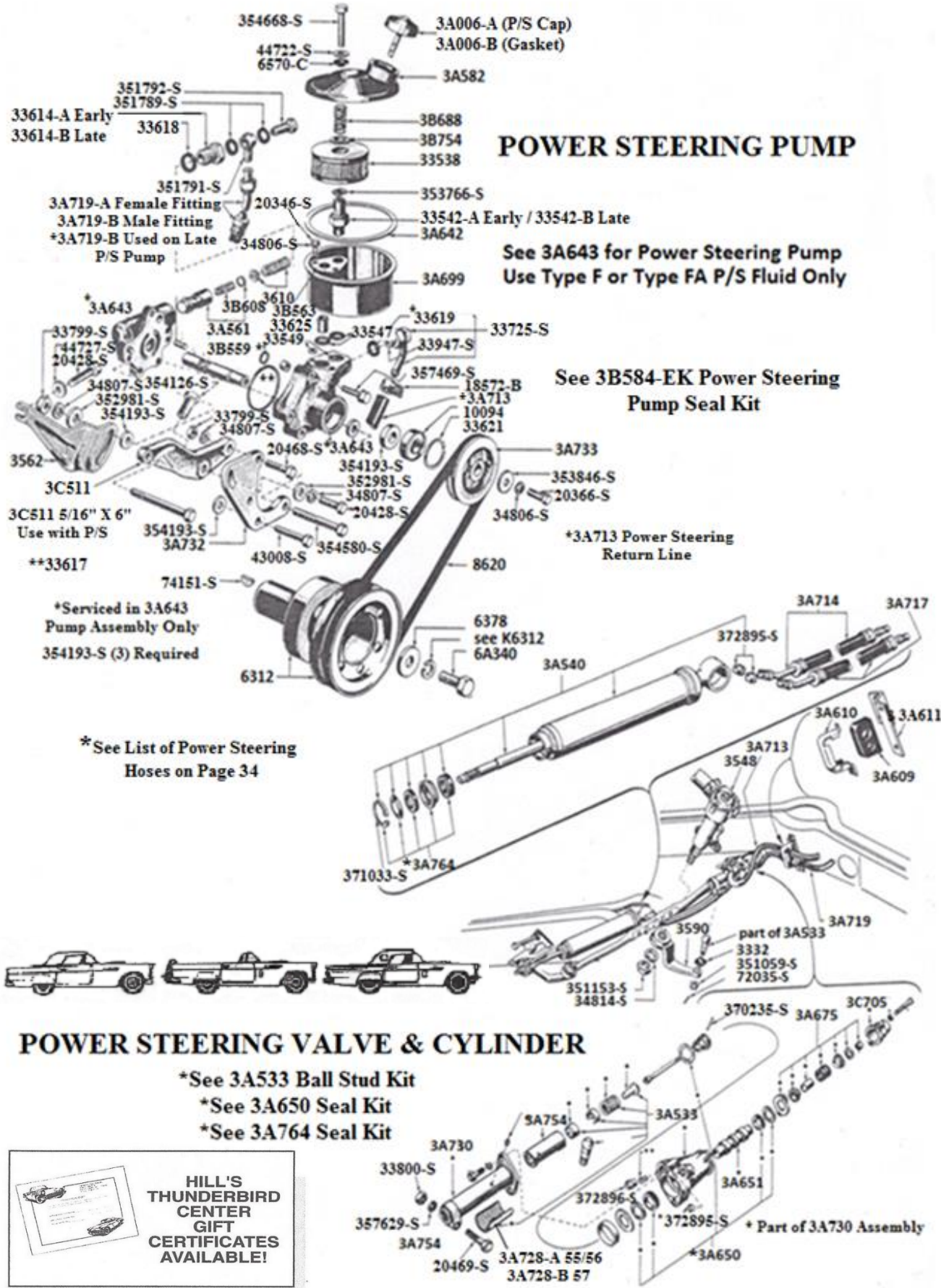
HILL'S THUNDERBIRD CENTER



HILL'S THUNDERBIRD CENTER 866-949-1956

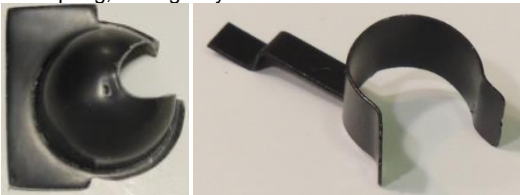


HILL'S THUNDERBIRD CENTER



**BRAKE PARTS / FRONT SUSPENSION**

*2780	Hand Brake Assembly – Used Original .....	100.00
2780-H	Handle Park Brake Chrome .....	49.95
2780-P	Retainer, Pin Brake Handle.....	1.05
*2781	Rod Parking Brake Handle Used Original .....	30.00
2786	Pawl, Emergency Brake.....	8.35
2788	Spring, Emergency Brake Ratchet Pawl .....	3.10



**01642**

**01642-A**

01642	Cover Hand Brake Opening Lower LH Corner of Firewall Pad .....	39.68
01642-A	Clip to Retain 01642 Pulley Cover .....	5.25
01642-B	Cover Hand Brake Original .....	Call
2804	Pulley Park Brake Cable at 2780 .....	25.00
2814-A	Clip, Brake Cable to Backing Plate 3/Car .....	2.00
2814-B	Clip, Brake Hose to Frame 3/Car .....	1.25
2853	Cable, Emergency Brake, Front.....	35.95



**2857**

**2858**

**2859**

2857	Clamp, Emergency Brake Cable-Firewall.....	3.49
K2857	Kit Emergency Brake Cable Clamp to Firewall .....	0.80
2858	Plate, Fits Behind 2857.....	3.65
2859	Pin, Emergency Brake Lever .....	2.60
7523	Spring Park Brake Equalizer Lever .....	3.50
7583	Bumper Clutch and Brake Pedal Arm.....	2.88
13480	Switch Stoplight .....	10.75
14A240-B	Braided Insulator Goes Over Brake Lines 3/16" ID-Price per Foot (Included Where Appropriate On 2269 Formed Lines) .....	0.60

*\*Limited Availability*

**FRONT SUSPENSION/STEERING**

**Front Suspension Overhaul Kit**



**3001-K**

Upper & Lower Control Arm Bushings 3073-K (Made in USA)  
 Upper & Lower Control Arm Bumpers 3021-K & K3021 Kit  
 Upper & Lower Ball Joints - (2) 3049 (2) 3050  
 Two Coil Spring Insulators 5415-A  
 Tie Rod Adjusting Sleeves (2)-3310  
 Inner & Outer Tie Rod Ends 3280 – 3281 – (2)-3A130  
 Kit Already Discounted-No Additional Discounts May Be Taken

**3001-K 55/57 ..... 419.95**

**FRONT SUSPENSION**



**3A006-A**

**3A006-B**

3A006-A	Cap, Power Steering Reservoir (New).....	21.95
	<b>(3A006-A Paint Argent)</b>	
3A006-B	Gasket, P/S Reservoir Cap.....	1.50
3019	Bumper, Lower Control Arm, RH .....	6.10
3020-A	Bumper, Lower Control Arm, LH.....	6.10
3020-B	Bumper, Upper Control Arm, RH – LH.....	6.10



**3021-K**

3021-K	Kit, Control Arm Bumpers Includes (1)3019 (1)3020-A (2)3020-B .....	24.40
K3021	Kit, A-Frame Bumpers to A-Frame .....	2.00

---

3043-A	Alignment Shim 1/64" Thick.....	0.80
3043-B	Alignment Shim 1/32" Thick.....	0.80
3043-C	Alignment Shim 1/16" Thick.....	0.80
3043-D	Alignment Shim 1/8" Thick.....	0.80



**B4A3047B Kit-Front Suspension Upper Shaft-Includes 3056 Shaft 3068-3087 Bushing & 3090-3091 Washers & Nuts... 39.95**

3048-A	Seal Kit Ball Joints.....	4.15
3048-K	Kit, Washer & Seals for Ball Joints .....	20.95
3049	Upper Ball Joint.....	50.00
K3049	Kit, Upper Ball Joints to Upper A-Arms .....	4.50
3050	Lower Ball Joint.....	50.00
K3050	Kit, Upper Ball Joints to Upper A-Arms.....	7.75



**3051-K**

**3051-K Ball Joint Kit, (2) 3049 Upper & (2) 3050 Lower (Includes: All Attaching Hardware & Seals)..... 194.95 (3049-3050 Paint Black)**

3054-K	Kit, Upper Ball Joint Washer & Seals.....	8.75
*3056	Shaft, Upper Control Arm Used Original.....	20.00
K3082	Kit Upper Control Arm Shaft to Frame (Both Sides) 12 Pieces .....	7.75
3057	Bolt, Lower Control Arm .....	26.25
3068	Bushing, Upper Control Arm, Inner Front.....	5.95
3068-AK	Kit, Control Arm Bushings Imported.....	45.00
3069	Bushing, Lower Control Arm, Front or Rear.....	5.95
3069-K	Kit, Lower Ball Joint Washer & Seals.....	5.95

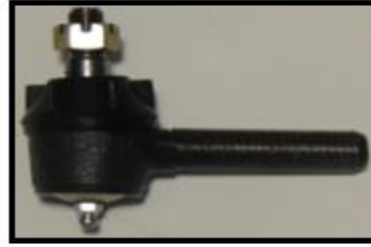
HILL'S THUNDERBIRD CENTER

**FRONT SUSPENSION / POWER STEERING**



**3073-K** Control Arm Bushing Kit 8 Pieces, Made in USA  
Includes (2)3068 (4)3069 (2)3087..... 95.00

**STEERING POWER & MANUAL**



**3A130** Kit, Tie Rod End 55/57 Includes Nut & Cotter Pin  
Includes Seal-If correct seal is needed  
Order 3332-A as needed ..... 14.95  
**Original connecting rod ends had the Ford Logo Stamped On the Bottom**  
**K3A130** Kit, Tie Rod End Nuts, Cotter Pins & Seals  
(4) Nuts (4) Cotter Pins (4) 3332A Seals ..... 19.00

**POWER STEERING**

**Power Steering Pump**

**Tech Tip:** Early P/S Pump Return Line Connects into the Body. As Shown in this Illustration. Late P/S Pump Return Line Connects to the Bottom of the Power Steering Reservoir.



**3A730-RL**

**3A643  
Early Pump**



**3A643-A  
Late Pump**

**3A643-F  
Ford Pump**

**Use Type F or FA Power Steering Fluid Only**

**STEERING**

- \*3078 RH Lower Control Arm Used Original..... Call
- \*3079 LH Lower Control Arm Used Original..... Call
- K3078 Lower Control Arms to Frame ..... 104.00
- \*3082 Upper Control Arm Used Original..... Call
- K3082 Kit Upper A-Frame Arms to Frame..... 7.75
- 16050 Metal Retainer for Apron Seal (16240)..... 20.49
- 16240 Seal-Front Fender Apron Shield-Each ..... 4.25
- K900A Staple Kit for 16240 Seal to 16050..... 3.75
- K16050 Kit Apron Shields (16050) to Apron..... 2.85
- 3087 Bushing, Upper Control Arm, Inner Rear..... 5.95
- 3090 Washer – Formed – Upper A Arm Inner Rear  
2-Used Per Car..... 1.50
- 3091 Washer – Formed – Upper and Lower A Arm Bushings  
8-Used Per Car..... 1.50
- 3092-K Washer Kit – Upper & Lower Control Arms  
Includes 2-3090 & 8-3091..... 13.50
- \*3105 Spindle Assembly Used Original..... Call
- K1125 Kit Front Hub ..... 23.75



**3280**

**Note: 3280 & 3281 must be used in Pairs on 55 Seal Part Number 3332-A is Sold Separately! 3332-A Exact Reproduction**

- Note: 3001-K kit will work on 55/57, but for 55 you must change both inner and outer tie rods at the same time. If you need 55 tie rods to complete your restoration, 55 tie rods are available for an extra charge. Price subject to change.**
- 3280 RH, Tie Rod, Inner 55/57..... 49.50
  - 3280-55 RH, Tie Rod, Inner 55..... 99.95
  - 3281 LH, Tie Rod, Inner 55/57 ..... 49.50
  - 3281-55 LH, Tie Rod, Inner 55 ..... 99.95



**3304-PS**

- 3304-PS Drag Link, Power Steering..... 225.00



**3305-Drag Link Only**

- \*3305 Drag Link, Manual Steering Used Original..... Call
- 3A533-B Ball Stud Kit Manual Steering 55/57 ..... 55.00



**3310**

- 3310 Sleeve, Tie Rod Adjusting ..... 15.95
- 3332-A Seal, Tie Rod & Tie Rod End (4) Per Car  
Exact Reproduction ..... 2.25
- 3332-B Seal, Pitman Arm to Ball Stud ..... 1.00
- 3351-A Bracket, Manual Steering Idler Arm ..... 34.95

**\*Limited Availability**

**Upper and Lower Control Arms-Paint Black**

H  
I  
L  
L  
S  
  
T  
H  
U  
N  
D  
E  
R  
B  
I  
R  
D  
  
C  
E  
N  
T  
E  
R

## STEERING POWER & MANUAL



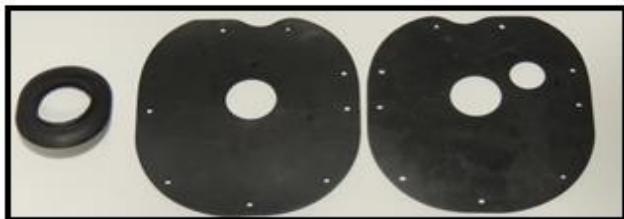
- 3351-P Bracket - Power Steering Idler Arm Mounting ..... 109.95
- K3A351 Crush Nut Kit with Hardware and Instructions ..... 4.95
- 3352-AK Idler Arm & Bushing Kit 55/57 Power Steering ..... 62.99
- 3352-BK Idler Arm & Bushing Kit 55/57 Manual Steering ..... 82.95



- 3355-A** Idler Arm, Manual Steering ..... 47.30
- 3355-B** Idler Arm, Power Steering ..... 52.48



- 3356-A** Bushing, Idler Arm Manual Steering (2) Required .... 18.00
- 3356-AK Idler Arm Bushing Kit 55/57 Manual Steering  
Includes 2-3356A & 1-3359A ..... 39.60
- 3356-B Bushing, Large for Idler Arm, Power Steering ..... 9.70
- 3356-PK Bushing Set P/S Idler, Includes 3356-B and 3358,  
Made in the USA..... 18.40
- 3358 Bushing, Small for Idler Arm, Power Steering ..... 10.20
- 3359-A Seal Kit, Idler Arm Manual Steering, (Pr.) ..... 8.00
- \*3506 Clamp, Steering Column Sleeve ..... Call
- \*3509-A 55, Steering Column Adjusting Sleeve ..... 30.00
- \*3509-B 56-57, Steering Column Adjusting Sleeve ..... 30.00
- \*3509-C Steering Column Tube Only, Used Original - 55..... 150.00
- 3509-CR 55 Steering Column - Re-chrome..... 350.00  
\* Core Deposit on Above ..... 100.00
- \*3509-D Steering Column Tube Only, Used Original - 56/57. 150.00
- 3509-DR 56/57 Steering Column - Re-chrome..... 350.00  
\* Core Deposit on Above ..... 100.00
- 3509-K55 Steering Column Chrome Kit 55**  
**Includes One Each (3511-A) (3526-A) (3669-A) (3A673)**  
**Save \$16.00 When buying all 4-Pieces ..... 159.80**
- 3509-K567 Steering Column Chrome Kit 56/57**  
**Includes One Each (3511-B) (3526-B) (3669-B) (3A673)**  
**Save \$16.00 When buying all 4-Pieces ..... 159.80**
- 3511-A Turn Signal Switch Housing, Repro 55..... 43.95
- 3511-B Turn Signal Switch Housing, Repro 56/57..... 43.95
- 3C511 Bracket, Power Steering Pump Mounting..... 42.95
- 3C511-B Bolt for 3C511 Bracket 5/16 x 6 with Pieces..... 3.00  
**Bracket 3C511 and 3562-Paint Black**



- 3512** Grommet, Steering Column to Dash ..... 8.20
- 3513-A Seal, Steering Column, Automatic Transmission ..... 3.68
- 3513-B Seal, Steering Column, Standard Transmission ..... 3.68

## STEERING



**3513-PA** **3513-M**  
**3513-PA Plate Steering Column Opening use this Mounting Plate To Install a Aftermarket Steering Column. Will Require 3513-M Steering Column Bearing Mount.**

- 3513-PA** Plate Steering Column Opening for Automatic ... 99.95
- 3513-PS** Plate Steering Column Opening for Standard ..... Call
- 3513-M** Steering Column Bearing Mount ..... 79.95
- 3517 Bearing, Steering Shaft..... 10.95
- 3521 Snap Ring, Steering Column Bearing..... 1.70
- 3524-A Worm Gear 2 Tooth 55/56..... 99.95
- 3524-B Worm Gear 3 Tooth 56/57 ..... 99.95
- \*3524-C Steering Shaft Upper Long Used 55 (36-41/64")..... 100.00
- \*3524-D Steering Shaft Upper Long Used 56/57 (34-11/32") . 100.00
- 3524-S Steering Shaft Only, Short 12"..... 78.50
- 3524-SW Worm Gear Installed on Short Shaft ..... 199.95
- \*3525 Sleeve Steering Shaft, Connects Upper and Lower Steering Shafts, 7" Long Used Original..... 40.00
- 3526-A 55 - Bezel, Steering Column Adjusting Sleeve, (Reproduction) ..... 43.95
- 3526-B 56/57- Bezel, Steering Column Adjusting Sleeve, (Reproduction) ..... 43.95
- \*3526-C Set Screw, Steering Column Bezel (56/57)..... Call
- 3528 Kit, Steering Column Seal ..... 21.50



- 3A533-CK**
- 3A533-A Ball Stud Kit Power Steering 55/56..... 55.00
- 3A533-B Ball Stud Kit Manual Steering 55/57 ..... 55.00
- 3A533-CK Ball Stud Kit Power Steering 57..... 57.95
- \*3538 Plug Steering Gear Housing Oil Filler ..... 12.00



- 3A540 Early Ram Cylinder - 2-1/8" Dia.**  
**See Part 3C589 & 3C590-A for Mounting Bushings**
- 3A540-AR Power Steering Ram Cylinder Rebuilt Original Early 55 with Outside Tube Ram ..... 229.00
- 3A540-BR Power Steering Ram Cylinder Rebuilt Original 55 to Early 57 ..... 229.00
- Core Charge on 3A540AR & 3A540BR ..... 250.00**



- 3A540 Late Ram Cylinder - 1-11/16" Dia.**
- 3A540-CR Power Steering Ram Cylinder Rebuilt Original 57.... 229.00
- Core Charge on All Rebuilt Ram Cylinders ..... 250.00**

### New Ram Cylinders - No Core Required

- 3A540-A** Power Cylinder Ram Cylinder 55/56 Diameter 2-1/8" ..... 379.00
- 3A540-B** Power Cylinder Ram Cylinder 57 Dia. 1-11/16".... 299.00
- Made in the U.S.A.**

**STEERING GEAR BOX / PAINT INFO**

**PAINT INFO**

Rod Assembly Steering Arm 3304/5---Black  
 Sector Arm 3590-----Plain  
 Power Steering Valve Body 3A730----Black  
 Power Steering Ram 3A540-----Black  
 Bracket P/S Hose 3A611-----Black  
 Bracket P/S Hose 3A610-----Cad Zinc  
 Idler Arm 3355-----Plain  
 Upper & Lower Ball Joints 3049/3050-Black  
 Upper Control Arm Shafts 3047-----Black  
 Steering Gear Box 3548-----Natural  
 Steering Gear Cover 3580-----Plain  
 Lower Front Shock Mount 18072-----Black



3548-KB

**Steering Box Bearing & Seal Kit**

Kit Includes: (1) 3528, (1) 3552, (2) 3571, (2) 3576, (1) 3581, (1) 3591, (6) 3593, (1) 3738

- 3548-KA Kit, for use with 2 Tooth Sector ..... 131.90
- 3548-KB Kit, for use with 3 Tooth Sector ..... 148.50



**3548**  
**Steering Gear Box**  
 Use 85W90  
 Gear Oil Only

- 3548-A Steering Gear Box Rebuilt 2-Tooth (AD3550A) Stamped into Gear Box..... 549.00
- 3548-B Steering Gear Box Rebuilt 3-Tooth (AF3550A) Stamped into Gear Box..... 549.00
- 55/57 Steering Gear Box 3548-A & B Core ..... 250.00**
- K3548 Steering Box to Frame, (6) Pieces ..... 4.75
- 3552 Cup, Steering Worm Bearing, Lower..... 12.00
- 3553 Cup, Steering Worm Bearing, Upper..... 30.00
- 3B559-A Power Steering Pump Shaft 3.98" Long ..... 39.95
- 3562 Bracket P/S Pump Support ..... 49.95
- 3B563-A Plate P/S Reservoir Can 4 Hole..... 6.95
- 3B563-B Plate P/S Reservoir Can 2 Hole..... 6.95
- \*3564 Lock Steering Thrust Screw 55/56 Used Original ..... Call
- \*3567-A Spacer Steering Sector Shaft Bearing 3-1/2" Long... Call
- \*3567-B Spacer Steering Sector Shaft Bearing 3-1/4" Long... Call
- 3571 Bearing Steering Worm Roller ..... 12.00
- \*3575-A Sector Shaft 2-Tooth 55 (AD3575A) ..... Call
- \*3575-B Sector Shaft 3-Tooth 56/57 (B6A3575A)..... Call
- 3575-C Sector Shaft Repair Kit 2-Tooth 55 ..... 109.95
- 3575-D Sector Shaft Repair Kit 3-Tooth 56/57..... Call
- 3576-A Bushing 2-Tooth Sector Shaft 55 ..... 11.00
- 3576-B Bushing 3-Tooth Sector Shaft 56/57 ..... 15.00



3581

3B584-E

- \*3577-A Screw Sector Shaft Adjusting With Groove Used ..... Call
- \*3577-B Screw Sector Shaft Adjusting Without Groove Used ..... Call
- \*3579-A Washer Steering Worm Gear Sector 55 Used ..... Call
- \*3579-B Washer Steering Worm Gear Sector 56/57 Used..... Call

**STEERING**

- \*3580-A Cover Steering Gear Box 55 Used ..... Call
- \*3580-B Cover Steering Gear Box 56/57 Used..... Call
- 3581 Gasket Steering Box ..... 1.30
- 3A582 Cover Lid P/S Reservoir Can 55/57..... 26.95
- 6570-C Grommet P/S Reservoir Cover ..... 1.00
- 3B584-EK P/S Pump..... 20.00



3C589

3593

- \*3589 Cap Steering Gear Housing Upper Used..... Call
- 3C589 Kit, Ram Cylinder End Mounting 2 Rubber Bushings ..... 7.95
- \*3590-A Pitman Arm 55, AH3590A Used Original ..... 75.00
- \*3590-B Pitman Arm 56/57, AH3590B Used Original ..... 75.00



3C590-A

3C590-B

- 3C590-A Kit, P/S Piston Rod End Bushing 55/56 ..... 14.75
- 3C590-B Kit, P/S Piston Rod End Bushing 57 ..... 14.75
- 3591-A Seal Used with Sector Shaft 55 ..... 5.25
- 3591-B Seal Used with Sector Shaft 56/57 ..... 11.50
- 3B592 Seal Gear Box..... 8.00
- 3593-A Gasket Shim Gear Box (.002 in.)..... 0.79
- 3593-B Gasket Shim Gear Box (.010 in.)..... 0.79



3597

- 3597 Plate & Tube Assembly Steering Gear ..... 9.65
- \*3600-A Steering Wheel Used Original 55..... Call
- \*3600-B Steering Wheel Used Original 56/57 ..... 150.00

**ORIGINAL DESIGN STEERING WHEELS**

Original Design Featuring Original Material & Workmanship.



- 3600-D 56/57 Black..... 325.00
- 3600-E 56 Peacock..... 325.00
- 3600-F 56 Red ..... 325.00
- 3600-G 56 Buckskin ..... 325.00
- 3600-H 56 Sage Green ..... 325.00
- 3600-I 57 Red ..... 325.00
- 3600-J 57 White ..... 325.00
- 3600-K 57 Blue ..... 325.00
- 3600-M 57 Green..... 325.00
- 3600-X 56/57 Unpainted..... 319.95

H  
I  
L  
L  
S  
  
T  
H  
U  
N  
D  
E  
R  
B  
I  
R  
D  
  
C  
E  
N  
T  
E  
R



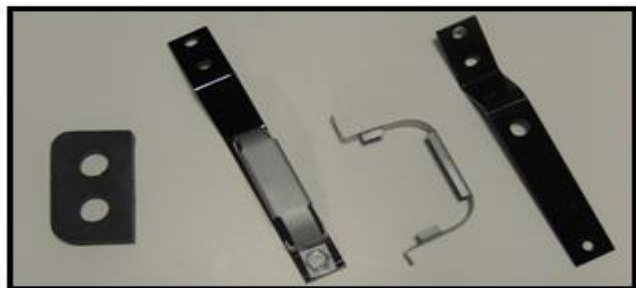
## RETRO STEERING WHEEL



**3600-R**

3600-R	Retro 1956 – 1957 15" Thunderbird Steering Wheel .....	350.00
13305-BRX	Handle Turn Signal Black End 56/57 Use with 3600-R Steering Wheel 1" Shorter.....	16.00

Now you can replace Your Original 17" Steering Wheel with this 15" Steering Wheel. Made to Fit to the Original Steering Column Using All the Original Horn, & Directional Parts. Includes Horn Ring, Just Change the Center for the Thunderbird Look. Finished in Black Only. Paint to Match Your Vehicle. This Steering Wheel Gives Your Car an Original Look and Provides You with the Comfort of a Smaller Diameter Wheel.



**3A609      3A610      3A610-A      3A611**

3A609	Insulator, P/S Hose .....	5.50
3A610	Bracket & Retainer, P/S Hose Insulator .....	20.95
3A610-A	P/S Hose Insulator Holder Only .....	13.60
3A611	Arm Only 3A610-A to Frame.....	8.34

(3A610-A Cad Zinc) (3A611-Gloss Black)

## POWER STEERING KIT



**3A633-TK**

All Parts Necessary to add Power Steering to Your T-Bird. With Rebuild Pump, Ram, and Control Valve; Painted & Ready to Install.

3A633-NK	Kit, Power Steering Complete Non-original .....	2595.00
3A633-TK	Kit, Power Steering Complete Original.....	2895.00

## POWER STEERING PUMP



**Early Pump Shown-See Page 30 for Picture of Early & Late Pump**

3A642	Gasket Power Steering Pump Reservoir .....	2.65
3A643	Power Steering Pump, (Rebuilt) Less Pulley & Reservoir – (Early Pump).....	199.00
	*Core Deposit on Above Pump .....	250.00
3A643-A	Power Steering Pump, (Late Pump) .....	199.00
	*Core Deposit on Above Pump .....	250.00
3A643-F	Power Steering Ford Pump Rebuilt, Will not Work on T-Bird.....	199.00
	*Core Charge on Above Ford Pump .....	250.00
3A643-K	Power Steering Pump Overhaul Kit 55/57 Includes (1-3B584EK Seal Kit) (1-33538 Filter) (1-6570C Seal) (1-10094 Bearing).....	41.95
3A643-R	Power Steering Pump Replacement Kit.....	Call

## POWER STEERING CONTROL VALVE SEAL KITS



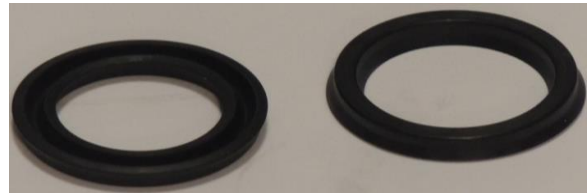
**3A650-A**

3A650-A	P/S Control Valve Seal Kit Early 55 .....	18.95
---------	---	-------



**3A650-AR**

3A650-AR	P/S Control Valve Seal Kit 55/56 .....	34.95
----------	--	-------



**3A650-ARSO**

3A650-ARSO	P/S Control Valve Seals Only 55/56.....	18.95
------------	---	-------

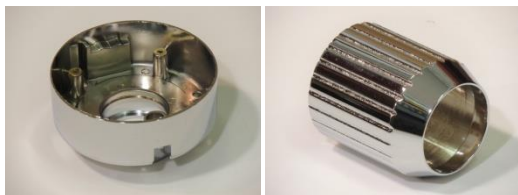


**3A650-BR**

3A650-BR	P/S Control Valve Seal Kit 57 .....	8.60
----------	-------------------------------------	------

**STEERING PARTS / STEERING COLUMN**

3A651-A	Spool Valve Standard Size 55/56.....	45.00
3A651-AOS	Spool Valve Oversize .002 55/56.....	45.00
3A651-B	Spool Valve Standard Size 57 .....	45.00
3A651-BOS	Spool Valve Oversize .002 57 .....	45.00
3C667-A	Holder Filter P/S Pump Early .....	12.95
3C667-B	Holder Filter P/S Pump Late .....	12.95
3669-A	Collar – Steering Column – 55 .....	43.95
3669-B	Collar – Steering Column – 56/57 .....	43.95
3672	Insulator – Horn Ring – 56/57 – Rubber.....	1.50
3A673	Horseshoe Collar – Steering Column.....	43.95
K3A673	Kit Steering Column Trim 3A673 to 3678.....	1.70
3678	Clamp Steering Column to Dash.....	20.00
3683-A	Insulator - Steering Column to Dash Molded Black .....	4.19
3683-B	Insulator - Steering Column to Dash Molded White .....	6.00
3B688-A	Spring P/S Reservoir 1-3/4" Long, Use with Rotor-Type Pump.....	3.50
*3B688-B	Spring P/S Reservoir 2/14" Long Used .....	5.25



3511-B

3526-B



3669-B

3A673

**\*See Steering Column Chrome Kits on Page 31**

**Part Number 3509-K55 for 1955 & 3509-K567 for 1956/57  
Includes all 4-Pieces Save \$16.00 When buying the Kit**



3A699-B (LATE)

*3A699-A	P/S Reservoir Can without Return Hose Nipple Used	Call
3A699-B	P/S Reservoir Can with Return Hose Nipple .....	39.95

**See Page 35 for Power Steering Reservoir Filter  
Power Steering Pump Reservoir 3A699-Argent  
Power Steering Top 3A582-Argent  
Power Steering Cap-Argent**



3C705

3C705	P/S Control Valve Cap 55/57.....	14.95
-------	----------------------------------	-------

**POWER STEERING HOSES**



**From Top to Bottom:  
3A713, 3A714-A, 3A714-B,  
3A717-A, 3A719-A, 3A719-B**

3A713	Hose – P/S Return Line.....	18.80
3A714-A	Hose – P/S Control Valve to Cylinder Head End – 55/56.....	22.95
3A714-B	Hose – P/S Control Valve to Cylinder Head End Correct Length – 57.....	18.95
3A714-SP	Hose – P/S – Use When Car has 55/56 Control Valve & 57 Cylinder – Special .....	18.80
3A717-A	Hose – P/S Control Valve to Cylinder Head End – 55/56.....	22.95
3A719-A	Hose – P/S Pressure Line – Pump to Control Valve Female Fitting at Top (Pump) End.....	36.65
3A719-B	Hose – P/S Pressure Line – Pump to Control Valve Male Fitting at Top (Pump) End.....	36.65
18572-B	Clamp Power Steering Return Hose.....	4.25

**18572 Clamp-Cad Zinc**

**POWER STEERING HOSE KIT**



3720-CK

3720-AK	Power Steering Hose Kit, 55/56, Includes 3A713, 3A714-A, 3A717-A, 3A719-A.....	98.35
3720-BK	Power Steering Hose Kit, Early 57 Includes 3A713, 2- 3A714-B, 3A719-A .....	90.35
3720-CK	Power Steering Hose Kit, Late 57 Includes 3A713, 2-3A714-B, 3A719-A .....	90.35
3A728-A	Shield, Early P/S Control Valve Ball Stud .....	5.95
3A728-B	Shield, Late P/S Control Valve Ball Stud .....	5.95

H  
I  
L  
L  
S  
  
T  
H  
U  
N  
D  
E  
R  
B  
I  
R  
D  
  
C  
E  
N  
T  
E  
R

**STEERING**



**3A730**

3A730-A	P/S Control Valve Early New .....	419.95
3A730-B	P/S Control Valve Late New.....	419.95
-----		
3A730-BA	Ball Stud Extension Housing Threads onto Drag Link Bolts to Valve Body 55/56 Early.....	100.00
3A730-BB	Same as Above, 57 Late.....	100.00

B3AZ3A730A	Rebuilt P/S Control Valve 55 Early 56, 3-Large and 1-Small Ports with Cast Extension Housing .....	209.95
B5AZ3A730A	Rebuilt P/S Control Valve 55/56 Early 57, 3-Large and 1-Small Ports .....	209.95
B7AZ3A730A	Rebuilt P/S Control Valve 57, 3-Large and 1-Small Ports .....	209.95
<b>Core Deposit on Above Control Valves .....</b>		<b>250.00</b>

**Cores Must be Like for Like**



**3A732**

**3A733**

3A732	Support Plate – P/S Pump .....	19.95
<b>P/S Support Plate 3A732-Plain</b>		
3A733	Pulley Power Steering Pump with Correct Castings. <b>P/S Pump Pulley 3A733-Paint Black</b> .....	45.95
3738	Seal – Steering Shaft.....	3.29
3A754	Clamp Power Steering Control Valve.....	12.50
3A754-A	Ball Stud Sleeve "Early Valve" .....	40.00
3A754-B	Ball Stud Sleeve "Late Valve" .....	20.00
3B754	Washer Stamp Top of P/S Filter.....	3.95

**RAM CYLINDER SEAL KITS**



**3A764**

3A764	Seal Kit Ram Cylinder Early 55.....	19.95
-------	-------------------------------------	-------



**3A764-A**

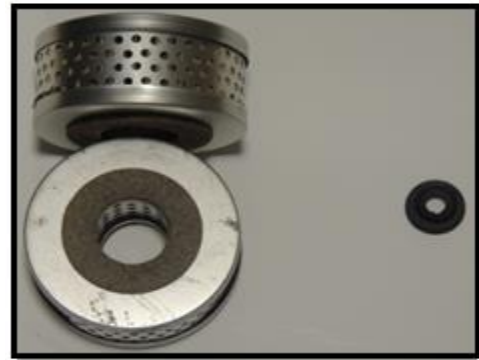
3A764-A	55-56 Kit, P/S Ram Cylinder End Seals .....	15.40
---------	---	-------



**3A764-B**

3A764-B	57 Kit, P/S Ram Cylinder End Seals .....	18.85
---------	--	-------

**POWER STEERING FILTER**



**33538**

**6570-C**

33538	Filter P/S Pump .....	12.00
6570-C	Grommet P/S Reservoir Cover .....	1.00
33538-K	Filter Kit Includes 1-33538 1-3A642 1-6570C .....	14.95

**POWER STEERING PUMP FITTINGS, SEALS, MISC. PARTS**



**33542-A**

**372895-S**

33542-A	Bolt P/S Pump Reservoir Early .....	19.95
372895-S	Seat P/S Control Valve 1/4".....	6.00
372896-S	Seat P/S Control Valve 3/8".....	6.00

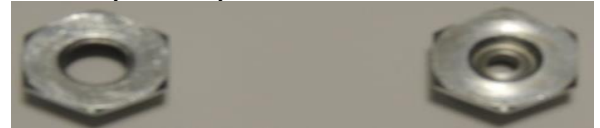


**33542-B**

**33547**

**33549**

33542-B	Bolt P/S Pump Reservoir Late .....	19.95
33547	Seal P/S Pump Reservoir Large Diameter, 2 Required .....	1.00
33549	Seal P/S Pump Reservoir Small Diameter, 2 Required .....	0.50
33557-A	Key P/S Pulley .....	1.90



**33614-A**

**33614-B**

33614-A	Fitting P/S Pump without Seat .....	19.95
33614-B	Fitting P/S Pump with Seat .....	19.95
33618	Seal P/S Pump Valve Outlet Fitting .....	1.00
33619-S	Seal P/S Pump Flow Director .....	1.25



**33621**

**33725**

33621	Snap Ring P/S Pump Bearing Retainer .....	1.95
33725-S	Connector P/S Return Line.....	23.70
33947-PS	Nut on Power Steering Return Line Fitting.....	11.50
354668-A	Bolt Power Steering Reservoir Lid Early 2-1/2" Long.....	6.95
354668-B	Bolt Power Steering Reservoir Lid Late 3-1/2" Long .....	6.95

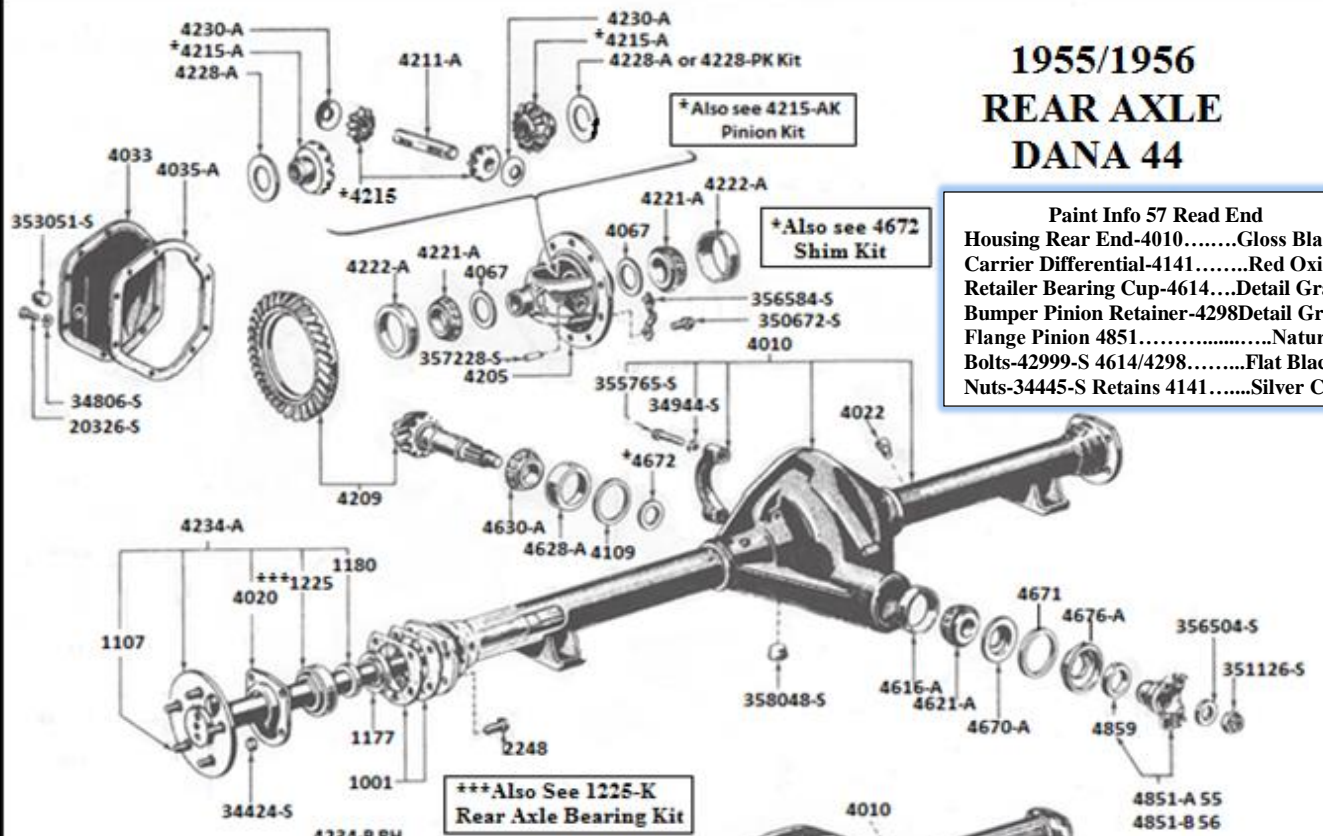
**H  
I  
L  
L  
S  
  
T  
H  
U  
N  
D  
E  
R  
B  
I  
R  
D  
  
C  
E  
N  
T  
E  
R**

ILLUSTRATION REAR AXLE

H  
I  
L  
L  
S  
  
T  
H  
U  
N  
D  
E  
R  
B  
I  
R  
D  
  
C  
E  
N  
T  
E  
R

1955/1956  
REAR AXLE  
DANA 44

Paint Info 57 Read End  
Housing Rear End-4010.....Gloss Black  
Carrier Differential-4141.....Red Oxide  
Retailer Bearing Cup-4614.....Detail Gray  
Bumper Pinion Retainer-4298Detail Gray  
Flange Pinion 4851.....Natural  
Bolts-42999-S 4614/4298.....Flat Black  
Nuts-34445-S Retains 4141.....Silver Cad



\*\*\*Also See 1225-K  
Rear Axle Bearing Kit

See Pages 6 & 7 For Rear  
Axle Codes & Ratio's

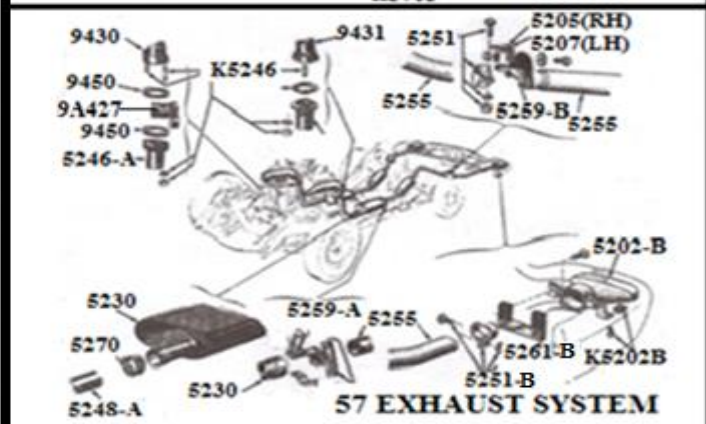
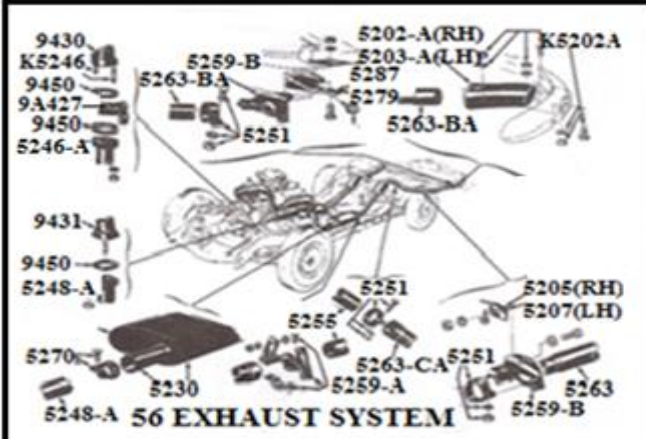
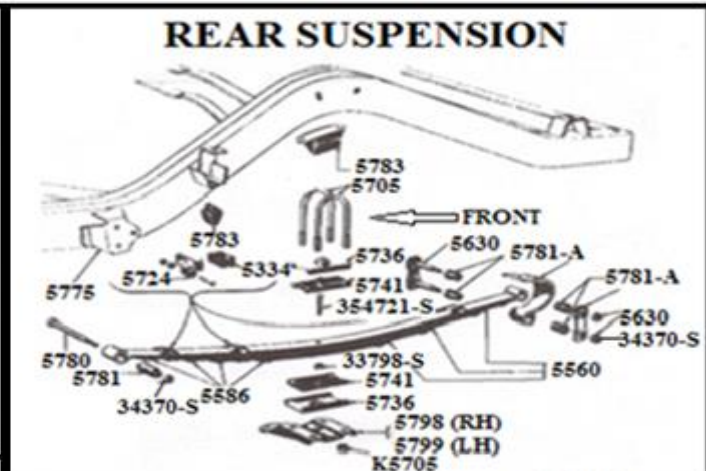
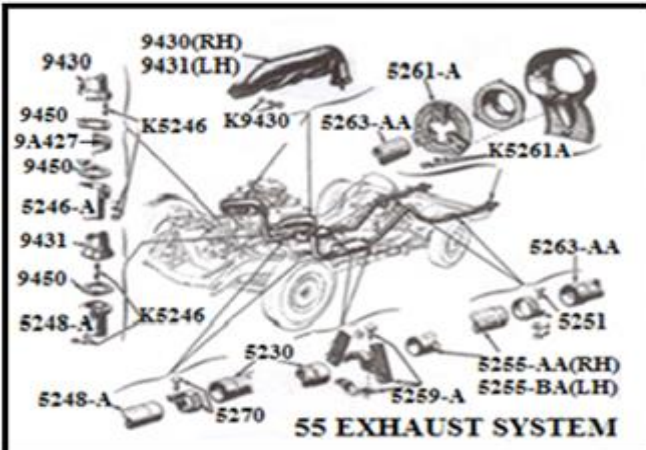
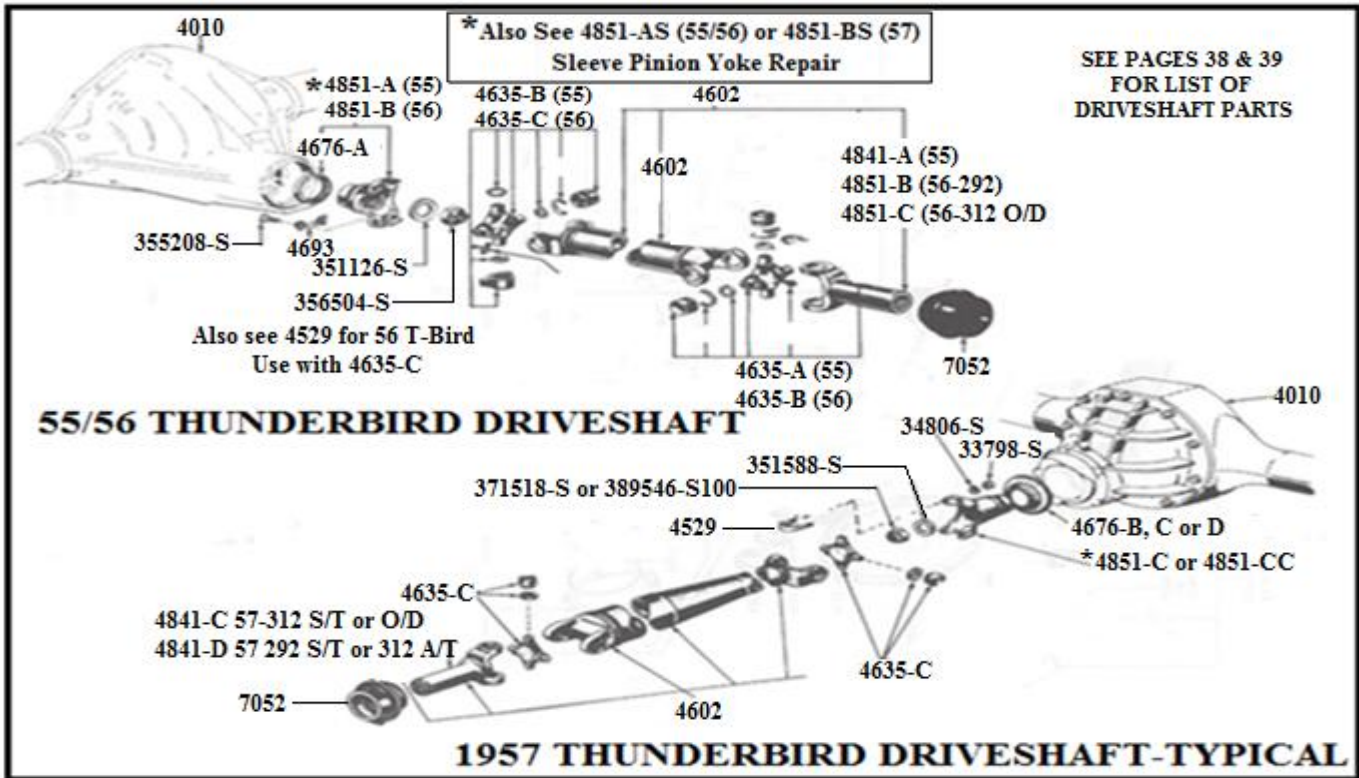
1957 FORD 9"

This is the First Year  
for the Ford 9" Rear End



Refill Capacities  
Rear Axle  
55/56.....3.5pt  
57.....4.5pt  
Use Multi-Purpose Gear Lubricant  
S.A.E. 90W Above 10 Degree F.  
S.A.E.80W Below 10 Degree F.





H  
I  
L  
L  
S  
  
T  
H  
U  
N  
D  
E  
R  
B  
I  
R  
D  
  
C  
E  
N  
T  
E  
R

**REAR AXLES AND DRIVE SHAFTS**

1001	Gasket Axle Retainer .....	0.95
1177	Seal Rear Axle.....	4.90
1225	Rear Axle Bearing Includes Retainer .....	31.49
4022-B	Bolt Rear Brake Breather 57 .....	21.80
4035-A	Gasket Rear Axle Carrier 56/57 .....	6.52
4035-B	Gasket Rear Axle Carrier 57 .....	5.62
*4067	Nut/Shim Diff Bearing Adjust 57.....	Call
4109	Pinion Bearing Cup 55/56 Shim Pack .....	24.00
4209	Ring Gear & Pinion Set 55/57 .....	Call
*4211-A	Shaft Differential Pinion 55/56.....	Call
4211-B	Shaft Differential Pinion 57.....	28.90
*4215-A	Pinion Gears.....	Call
4215-AK	Pinion Kit Differential 55/56.....	219.00
*4215-B	Pinion Kit Differential Shaft 57 .....	Call
4221-A	Cone & Roller Differential Bearing 55/56.....	35.20
4221-B	Cone & Roller Differential Bearing 57.....	19.20
4222-A	Cup Differential Bearing 55/56 .....	16.75
4222-B	Cup Differential Bearing 57 .....	14.90
*4228-A	Washer Differential Side Gear 55/56.....	9.00
*4228-B	Washer Differential Side Gear 57.....	9.00
4228-PK	Differential Side Gear Washer Pack 55/56 .....	27.85
*4230-A	Washer Differential Pinion Thrust 55/56.....	9.00
*4230-B	Washer Differential Pinion Thrust 57 .....	9.00
*4234-A	Rear Axle Shaft RH or LH 55/56 New 19 Splines 27-31/32" Long.....	Call
*4234-B	Rear Axle Shaft RH 57 New 28 Splines 30-7/16" Long 6-1/2" Flange .....	Call
*4234-C	Rear Axle Shaft LH 57 New 28 Splines 26-1/16" Long 6-1/2" Flange .....	Call
4236-A	Gear Differential Side 55/56.....	Call
4236-B	Gear Differential Side 57.....	Call
*4298	Deflector, Pinion Flange 57.....	Call
*4347	Bolt Differential Carrier.....	3.95
4529	U-Bolt for 56-57 U-Joint.....	14.50
4602-A	Driveshaft 1955 292 S/T-O/D-F/M (16T) .....	Call
4602-B	Driveshaft 1956 292/312 S/T-F/M (16T) .....	Call
4602-C	Driveshaft 1956 312 O/D (16T) .....	Call
4602-D	Driveshaft 1957 292 S/T-312 F/M (28T) .....	Call
4602-E	Driveshaft 1957 312 S/T-O/D (16T).....	Call
*4614	Retainer & Bearing Cup Assembly 57 .....	Call
4614-A	Retainer Replacement 57 Must use 4616-C, 4621-C Rear Bearing, Race & 4676-C Seal .....	109.00
4616-A	Cup Driving Pinion Bearing 55/56 .....	12.75
4616-B	Cup Driving Pinion Bearing 57 .....	9.35
4616-C	Cup Driving Pinion Bearing 57 use with 4614A ..	24.90
4621-A	Cone & Roller Driving Pinion 55/56.....	23.80
4621-B	Cone & Roller Driving Pinion 57.....	19.50
4621-C	Cone & Roller Driving Pinion 57 use with 4614A ..	44.90
4625	Bearing Pinion Pilot 57.....	49.65
4627	Retainer Pinion Pilot 57 .....	21.65
4628-A	Cup Driving Pinion Bearing Rear 55/56.....	15.30
4630-A	Cone & Roller Driving Pinion Rear 55/56 .....	35.80
4635-A	Front Universal Joint, 55.....	16.00
4635-B	Rear Universal Joint, 55.....	30.00
4635-C	Front or Rear Universal Joint, 56-57 .....	15.00
4662	Spacer Driving Pinion Bearing 57 .....	9.65
4663	Shim Driving Pinion Bearing 57.....	40.00
4669	O-Ring Driving Pinion Bearing Ret 57.....	3.75
4670-A	Slinger Driving Pinion Shaft 55/56.....	6.49
*4670-B	Slinger Driving Pinion Shaft 57.....	Call
4671	Gasket Driving Pinion Oil Seal 55/56 .....	1.25
4672	Shim Kit Differential 55/56.....	59.50
4676-A	Pinion Seal 55/56.....	9.95
4676-AN	Pinion Seal 55/56 National Seal.....	22.90
4676-B	Pinion Seal 57 .....	39.95
4676-C	Pinion Seal 57 See Note.....	17.90
4676-D	Pinion Seal 57 National Seal Leather Type .....	59.95
4693	Plate D/Shaft Flange Lock, Pair .....	5.95
*4841-A	Slip Yoke 55 B5A4841(16T-Spline).....	Call
4841-B	Slip Yoke 56 292STD B5C4841(16T).....	195.00
*4841-C	Slip Yoke 56 OD F/M 57 OD B6S4841 (16T) .....	Call
4841-D	Slip Yoke 57 292 S/T 312 F/M B9A4841 (28T)...	125.00
*4851-A	Yoke Pinion Flange 55 8M4851A.....	Call
4851-AS	Sleeve Pinion Yoke Repair 55/56.....	50.48
4851-B	Yoke Pinion Flange 56 8C4851.....	109.00
4851-BS	Sleeve Pinion Yoke Repair 57 .....	52.40

**REAR AXLES AND DRIVESHAFTS**

*4851-C	Yoke Pinion Flange 57 C2S2-D.....	Call
4851-CC	Yoke Pinion Flange 57 Replacement.....	109.95
*351126-S	Nut Pinion Flange to Pinion 55/56 .....	24.00
*351588-S	Washer Pinion Flange Nut 57 Original Type .....	Call
*356504-S	Washer Pinion Flange Nut 55/56.....	4.00
*371518-S	Locknut Pinion Flange 57 Original Type .....	Call
*373820-S	Washer Rear End Carrier 57 .....	1.90
389546-S100	Nut Pinion Flange to Pinion 57 Replacement.....	9.75

**\*Limited Quantity Available**

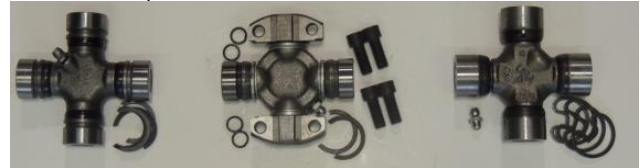
**\*\*Note: Use with Replacement 4614 Flange Seal 3" O/D.**

**DIFFERENTIAL PARTS & ILLUSTRATIONS**



**4215-AK**

4215-AK	Kit Spider Gear Set 55/56.....	219.00
---------	--------------------------------	--------



**4635-A**

**4635-B**

**4635-C**

**DRIVESHAFT INFORMATION**



Part#	Year	Trans	A	B	C	D
4602-A	1955	ALL	5-1/4"	3-1/8"	27"	1-1/2"
4602-B	1956	F/M-S/T	5-11/32"	3-1/2"	27"	1-1/2"
4602-C	1956	O/D	6-1/2"	3-1/2"	23-15/16"	1-5/8"
4602-D	1957	*S/T-F/M	5-1/4"	3-1/2"	28-1/4"	1-1/2"
4602-E	1957	**S/T-O/D	6-1/2"	3-1/2"	25-1/4"	1-5/8"

**\*S/T with 292 \*\*S/T with 312**

**Some Yokes could vary in Length**

4635-A	U-Joint Front 55 .....	16.40
4635-B	U-Joint Rear 55 .....	27.75
4635-C	U-Joint Front & Rear 56/57.....	15.25
4662	Spacer Crush Sleeve 9" 57.....	7.85
4671	Gasket Driving Pinion Oil Seal 55/56 .....	1.05



**4672**



**4841-D**

4672	Shim Kit Differential 55/56 .....	41.75
------	-----------------------------------	-------

**4841-A 4841-B 4841-C are 16T-Splines 4841-D is 28T-Spline**

*4841-A	Slip Yoke 55 B5A4841.....	Call
4841-B	Slip Yoke 56 292STD B5C4841.....	195.00
*4841-C	Slip Yoke 56 OD F/M 57 OD B6S4841 .....	Call
4841-D	Slip Yoke 57 292 S/T 312 F/M B9A4841 .....	125.00

## REAR AXLE AND DRIVE SHAFT



**4851-A** **4851-B**  
**4851-A & 4851-B (10 Tooth Spline)**

*4851-A	Yoke Pinion Flange 55 8M4851A.....	Call
4851-AS	Sleeve Pinion Yoke Repair 55/56.....	50.48
4851-B	Yoke Pinion Flange 56 8C4851.....	109.00
4851-BB	Sleeve Pinion Yoke Repair 57.....	52.40

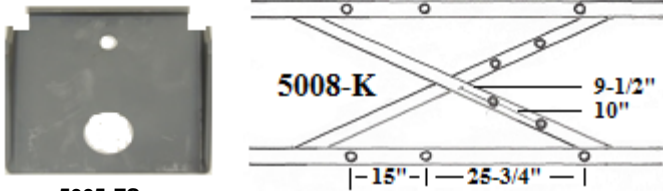


**4614** **4851-CC**  
**4851-C & 4851-CC (28 Tooth Splines)**

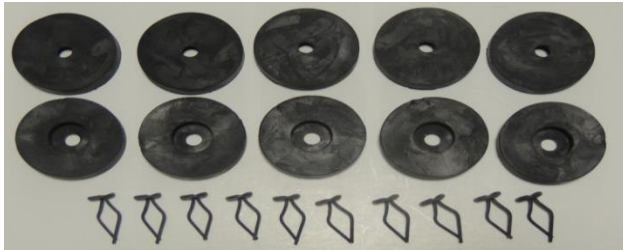
*4851-C	Yoke Pinion Flange 57 C2SZ-D.....	Call
4851-CC	Yoke Pinion Flange 57 Replacement.....	109.95
4614-A	Retainer Replacement 57 Must use 4616-C Bearing, 4621-C Race & 4676-C Pinion Seal.....	109.00
4614-K	Kit-Retainer Includes 4614-A Retainer, 4616-C Bearing 4621-C Race, 4676-C Seal.....	179.95

## FRAME AND SUSPENSION PARTS

5005-FS	Front Engine Mount Welds to Frame.....	39.95
5006	Body Bumper Clip Each.....	0.39
5007	Bumper Frame to Body Insulator.....	3.00



**5005-FS**



**5008-K**

5008-K	Kit Bumpers & Attaching Clips 10 Each.....	19.95
--------	--	-------



**KIT MASTER BODY TO FRAME-5005-AK**

## KIT MASTER BODY TO FRAME

5005-AK	Body to Frame Master Kit 55/56.....	159.95
5005-BK	Body to Frame Master Kit 57.....	149.95

### KIT FRAME ATTACHING PARTS

5009-AK	Clips, Bolts, Washers 55.....	59.95
5009-BK	Clips, Bolts, Washers 56.....	59.95
5009-CK	Clips, Bolts, Washers 57.....	59.95

## BODY FRAME SPACERS & SHIMS



**393000-S** **393001-S** **393002-S**

393000-S	Shim 1/8" Thick.....	1.02
393001-S	Shim 1/16" Thick.....	0.95
393002-S	Spacer Steel Body Mount 10/Per Car.....	1.75
393003-S	Insulator Robber 56 at rear Cross Member Pair.....	6.69



**5059-A** **7075**

5059-A	Cross Member Transmission Mount 55/56 Used.....	Call
5059-B	Cross Member Transmission Mount 57 Used.....	Call
<b>5059A were Bolted on and 5059B were Welded on.</b>		
7075	Transmission Alignment Plate Rear Mount.....	19.95

## FRONT COIL SPRING

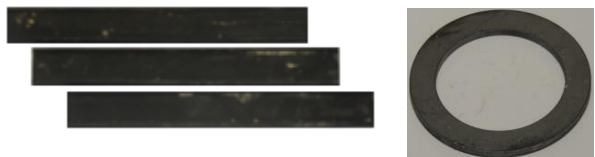


**5310**

5310	Front Coil Spring Each.....	59.95
(Paint Black)		
5310-K	Front Coil Spring Kit-Kit Includes (1-5355 Spacer) (2-5310 Springs) (2-5415A Insulators).....	127.95
*See Page 103 for Front & Rear Shocks		

## PERFORMANCE HANDLING KIT

5482-FR	Performance Handling Kit, Includes Heavy Duty Front & Rear Sway Bar-7/8" Dia., Heavy Duty Gas Shocks All Attaching Hardware, & Detailed Installation Instructions.....	619.95
5482-F	Sway Bar Kit, Front Only, Heavy Duty.....	210.00
5A772-R	Sway Bar Kit, Rear Only, Heavy Duty.....	210.00
18125-PK	Shock Kit, (4) KYB GAS-A-JUST.....	249.95



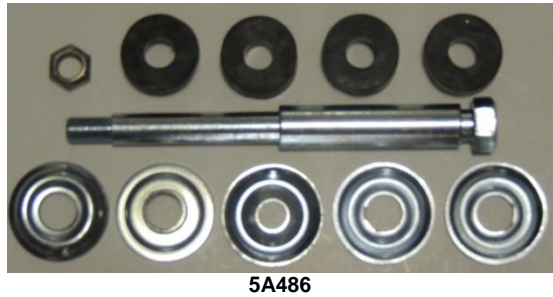
**5334-A** **5355**

5334-A	Liner Rear Spring Clamp Rubber 55/56.....	1.55
5334-B	Liner Rear Spring Clamp Rubber 57.....	2.09
5355	Spacer, Front Spring (Used Only LH Side Only).....	7.25

**FRONT & REAR SUSPENSION**



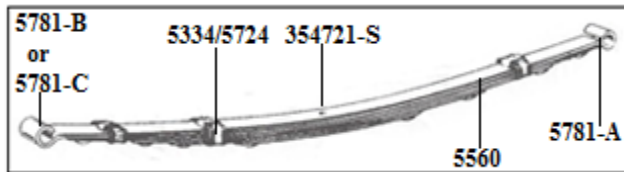
- 5415-A Insulator, Installs above Front Coil Spring-Each..... 4.75
- 5482 Front Sway Bar – Used Original..... Call
- 5482-F Sway Bar Kit, Front Only, Heavy Duty.....210.00
- 5482-K Front Sway Bar-Mounting Kit**  
Includes 2-Each of 5A486 & a Pair of 5493'S ..... **32.95**
- 5486 Clamp, Stabilizer Bar, Hold Up ..... 8.35



- 5A486 Kit, Stabilizer Bar End Repair, Each (2 Required) ... 12.95
- 5A486-K Kit- Stabilizer Bar End Repair (Does Both Sides) 24.00**



- 5493 Insulator, Front Sway Bar, Pair ..... 10.45



**REAR LEAF SPRINGS**

- 5560-A Rear Leaf Springs Replacements (5-Leaf) 55  
**Made in U.S.A.**.....295.00
  - 5560-B Rear Leaf Springs Replacements (5-Leaf) 56/57  
**Made in U.S.A.**.....295.00
  - 5560-C Rear Leaf Spring Assembly-Correct.....Call
- All Leaf Springs Will be Dropped Ship from Supplier  
No Additional Discounts on Leaf Springs**

**\*SEE PAGE 103 FOR FRONT & REAR SHOCKS**

**REAR SPRING OVERHAUL KIT**

Contains: (6-5334-A 55/56) or (6-5334-B 57)  
(16-5586-A or B 55) or (12-5586-A or B 56/57) 2-5630, 4-5736  
4-5741, 2-5780, 2-5781, 2-354721-S

- 5560-K55A Rear Spring Overhaul Kit with 5586-A Pads..... 112.95
- 5560-K55B Rear Spring Overhaul Kit with 5586-B Pads..... 128.95
- 5560-K56A Rear Spring Overhaul Kit with 5586-A Pads..... 107.95
- 5560-K56B Rear Spring Overhaul Kit with 5586-B Pads..... 124.95
- 5560-K57A Rear Spring Overhaul Kit with 5586-A Pads..... 112.95
- 5560-K57B Rear Spring Overhaul Kit with 5586-B Pads..... 128.95

**REAR SPRING INSTALL KIT**

Includes 4-5741 2-5780 8-5781-A 2-5781-B or 2-5781-C

- 5560-KA Rear Spring Install Kit 55 ..... 59.95
- 5560-KB Rear Spring Install Kit 56/57 ..... 59.95



- 5586-A Anti-Squeak, Rear Spring Pad, Replacement, Round Plastic..... 1.45
- 5586-B Anti-Squeak, Rear Spring, Reproduction of Original  
**\*Note: 55 Uses 16 & 56/57 Uses 12** ..... 2.95
- 5586-K Leaf Spring Pads as above, set of 12..... 34.95



- 5630 Rear Spring Shackle Kit (2-Required)..... 13.95
- Rear Spring Shackle Kit**
- 5630-AK Kit Includes 2-5630 2-5780 2-5781B (1955) ..... 59.95
- 5630-BK Kit Includes 2-5630 2-5780 2-5781C (56/57) ..... 59.95

- 5705-A U-Bolt, Rear Spring 56/56 ..... 10.00
- 5705-B U-Bolt, Rear Spring 57 ..... 10.00
- K5705 Kit Rear Spring U-Bolt Nuts 4 Pcs. 2-Kits Required. 5.00
- 5705-AK Kit Rear Spring (4-U-Bolts) & (8-Nuts) 55/56 ..... 54.95
- 5705-BK Kit Rear Spring (4-U-Bolts) & (8-Nuts) 57 ..... 54.95



- 5724 Kit, Rear Spring Leaf Clamp – (6) Required..... 6.95



- 5724-BK Kit Rear Spring Clamps & Lines for 57, Exactly Like Original. Includes 6-Clamps, 6-Liners, & Instructions. 1 Kit per Car ..... 22.95



- 5736 Retainer, Rear Spring (4) Required ..... 6.95
- 5741 Insulator, Rear Spring, (4) Required ..... 4.95
- 5A772-R Sway Bar Kit, Rear Only, Heavy Duty..... 210.00
- \*5775 Rear Spring Bracket Used Original..... Call
- K5775 Kit Rear Spring Perch to Frame..... 7.50



H  
I  
L  
L  
  
T  
H  
U  
N  
D  
E  
R  
B  
I  
R  
D  
  
C  
E  
N  
T  
E  
R

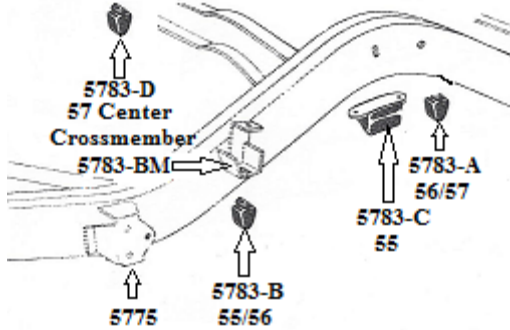


## REAR SPRING AND EXHAUST



**5780**

5780	Bolt, Rear Spring Front Hanger Replacement.....	9.95
5780-A	Same as Above Used Original 55.....	Call
5780-B	Same as Above Used Original 56/57.....	Call
5781-A	Bushing, Rubber Rear of spring (8) Price Each.....	1.00
5781-B	Bushing, Rear Spring Metal 55 Front.....	7.95
5781-C	Bushing, Rear Spring Metal 56/57 Front.....	7.95



**5783-A 5783-B 5783-C 5783-D**

5783-A	Bumper – Rear Axle – 56/57.....	6.10
5783-AP	Mounting Plate for 5783-A Bumper Above.....	6.50
5783-B	Bumper – Rear Spring – 55/56.....	6.10
5783-BM	Mounting for 5783B Bumper Welds to Frame 55/56.....	18.95
5783-C	Bumper – Rear Axle – with Metal Plate – 55.....	10.95
5783-D	Bumper – Differential – Original Shape – 57.....	6.25

### DIFFERENTIAL & REAR SPRING BUMPER KITS

5783-AK	55, Includes 2-5783B 2-5783C & 4-39909S.....	34.95
5783-BK	56, Includes 2-5783A 2-5783B.....	22.95
5783-CK	57, Includes 2-5783A 1-5783D.....	17.95



**5783-AP 5783-BP**

K5783	Kit Rear Axle Bumper to Frame.....	2.00
5798	Bracket, Rear Spring Mounting, RH Used.....	Call
5799	Bracket, Rear Spring Mounting, LH Used.....	Call

### EXHAUST HANGERS, CLAMPS, BRACKETS, & DEFLECTORS



**5202-A 5203-A 5202-B**



**5205 5207 5287**

## EXHAUST HANGERS, CLAMPS

See Page 42 for Prices on Exhaust Parts & Kits



**5781-A 5279 5278**



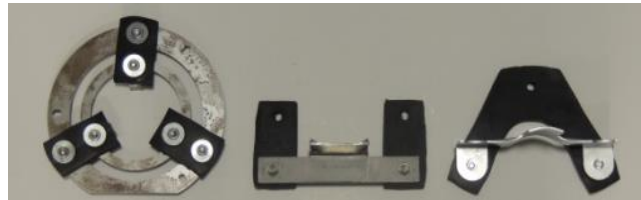
**5251 5251-B 5251-C 5270**



**9A427 9A435 9450**



**5259-A 5259-B**



**5261-A 5261-B 5261-C**



5256-AK	1955 Exhaust Hanger Kit.....	84.00
5256-AKS	1955 Exhaust Hanger Kit Stainless Steel.....	149.00



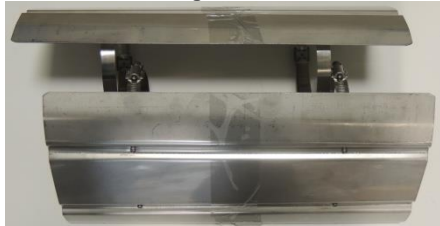
5256-BK	1956 Exhaust Hanger Kit.....	160.00
5256-BKS	1956 Exhaust Hanger Kit Stainless Steel.....	249.00

**H  
I  
L  
L  
S  
  
T  
H  
U  
N  
D  
E  
R  
B  
I  
R  
D  
  
C  
E  
N  
T  
E  
R**

**EXHAUST**



- 5256-CK 1957 Exhaust Hanger Kit..... 126.00
- 5256-CKS 1957 Exhaust Hanger Kit Stainless Steel ..... 269.00



- 5230-HS Heat Shields for Mufflers – Pair ..... 68.95

**1955 ALUMINIZED & STAINLESS EXHAUST SYSTEM**

- 5230 Muffler Aluminized ..... 59.95
- 5230-SS Muffler Stainless Steel ..... 250.00
- 5246-A Pipe Muffler Inlet RH..... 35.00
- 5248-A Pipe Muffler Inlet LH ..... 35.00
- 5251 Clamp Intermediate (2) ..... 5.90
- 5251-SS Clamp Intermediate Stainless Steel ..... 12.49
- 5255-AA Pipe Muffler Outlet 55 RH..... 26.50
- 5255-BA Pipe Muffler Outlet 55 LH..... 26.50
- 5259-A Hanger Front Muffler Outlet (2)..... 13.85
- 5259-ASS Hanger Same as Above Stainless..... 37.95
- 5261-A Exhaust Bracket Rear 55 (2)..... 12.49
- 5263-AA Tailpipe Rear Extension 55 ..... 19.50
- 5270 Clamp Muffler Inlet Pipe to Muffler 2" (2)..... 5.85
- 5270-SS Clamp Same as Above Stainless ..... 13.85
- 9A427 Valve Exhaust Heat Riser ..... 79.95
- 9430 Exhaust Manifold RH 55/57 ..... 255.00
- 9431 Exhaust Manifold LH 55/57 ..... 255.00
- 9A435 Spacer to Replace 9A427 ..... 20.95
- 9450 Gasket Exhaust Manifold to Inlet Pipe 3-Required ... 2.90
- K5261A Kit Rear Exhaust Hangers to Guards K5261-A ..... 2.00
- K5246 Kit Inlet Pipe to Manifold with Brass Nuts..... 9.00
- 5256-AK Exhaust Clamp & Hanger Kit 55..... 84.00
- 5256-AKS Exhaust Clamp & Hanger Kit 55 Stainless Steel ..... 149.00
- 5256-55A Exhaust Kit Aluminized 55 Exhaust Pipes & Mufflers..... 269.00
- 5256-55S Exhaust Kit Stainless Steel 55 Exhaust Pipes & Mufflers..... 850.00

**1956 ALUMINIZED & STAINLESS EXHAUST SYSTEM**

- 5202-A Deflector Exhaust 56 RH..... 37.95
- 5203-A Deflector Exhaust 56 LH..... 37.95
- 5205 Bracket Tailpipe Hanger to Frame RH..... 5.25
- 5207 Bracket Tailpipe Hanger to Frame LH..... 5.25
- 5230 Muffler Aluminized..... 59.95
- 5230-SS Muffler Stainless Steel ..... 250.00
- 5246-A Pipe Muffler Inlet RH..... 35.00
- 5248-A Pipe Muffler Inlet RH..... 35.00
- 5251 Clamp Intermediate (6)..... 5.90
- 5251-SS Clamp Intermediate Stainless Steel ..... 12.49
- 5255-CA Pipe Muffler Outlet 56 RH ..... 29.45
- 5255-DA Pipe Muffler Outlet 56 LH..... 29.35
- 5255-EA Pipe Muffler Outlet 56 RH Has Resonator ..... 98.75
- 5255-FA Pipe Muffler Outlet 56 LH Has Resonator ..... 98.75

**EXHAUST**

- 5256-A Resonator ..... 60.00
- 5259-A Hanger Front Muffler Outlet (2)..... 13.85
- 5259-ASS Hanger Same as Above Stainless ..... 37.95
- 5259-B Hanger Intermediate 56 (2)..... 13.20
- 5259-BSS Hanger Intermediate Stainless 56..... 22.85
- 5261-C Hanger Rear Tailpipe 56 (2) ..... 10.50
- 5261-CSS Hanger Same as Above Stainless ..... 22.85
- 5263-BA Tailpipe Rear Extension RH 56 ..... 26.50
- 5263-CA Tailpipe Rear Extension LH 56 ..... 26.50
- 5270 Clamp Muffler Inlet Pipe to Muffler 2" (2) ..... 5.85
- 5270-SS Clamp Same as Above Stainless..... 13.85
- 5278 Bracket Tailpipe Hanger Rear 56 RH..... 10.45
- 5279 Bracket Tailpipe Hanger Rear 56 LH..... 10.45
- 5287 Plate Rear Tailpipe Hanger 56..... 3.50
- 9A427 Valve Exhaust Heat Riser..... 79.95
- 9430 Exhaust Manifold RH 55/57 ..... 255.00
- 9431 Exhaust Manifold LH 55/57 ..... 255.00
- 9A435 Spacer to Replace 9A427..... 20.95
- 9450 Gasket Exhaust Manifold to Inlet Pipe 3-Required... 2.90
- K5202A Kit Exhaust Deflectors (5202-3) to Bumper 22 Pieces ..... 7.40
- K5246 Kit Inlet Pipe to Manifold with Brass Nuts ..... 9.00
- 5256-BK Exhaust Clamp & Hanger Kit 56 ..... 160.00
- 5256-BKS Exhaust Clamp & Hanger Kit 56 Stainless Steel..... 249.00
- 5256-56A Exhaust Kit Aluminized 56 Exhaust Pipes & Mufflers ..... 289.00
- 5256-56AR Exhaust Kit Aluminized 56 with Resonators..... 419.00
- 5256-56S Exhaust Kit Stainless Steel 56 without Resonators.. 850.00
- 5256-56SR Exhaust Kit Stainless Steel 56 with Resonators..... 950.00

**1957 ALUMINIZED & STAINLESS EXHAUST SYSTEM**

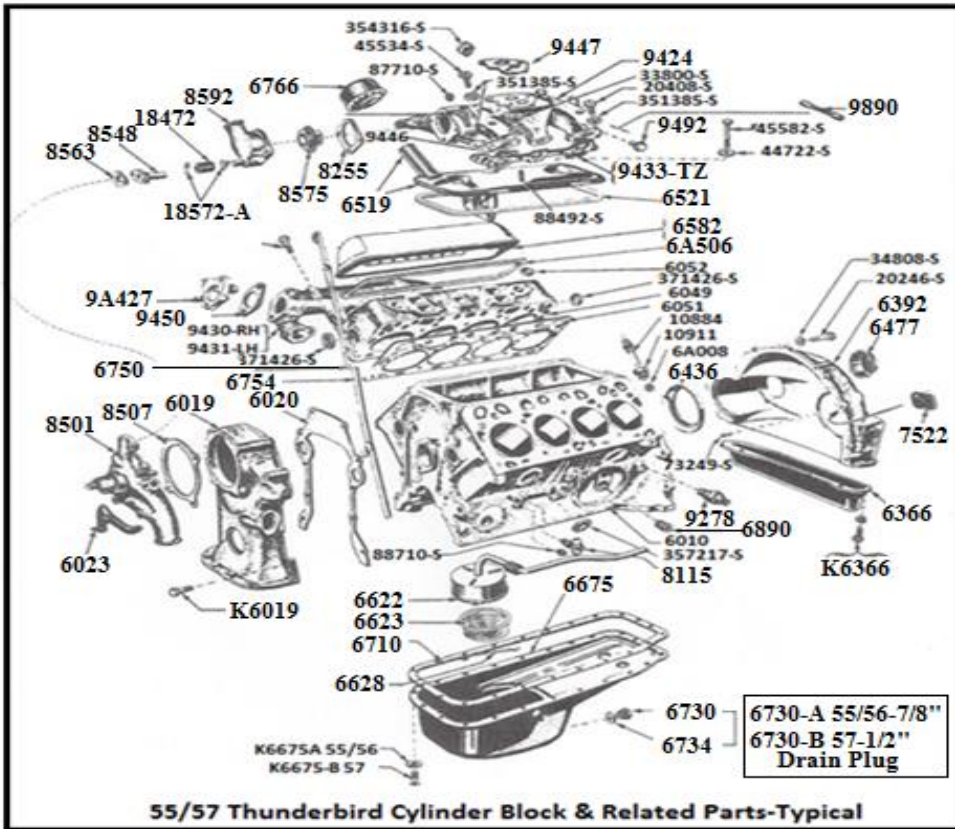
- 5202-B Deflector Exhaust 57 RH & LH ..... 36.00
- 5205 Bracket Tailpipe Hanger to Frame RH..... 5.25
- 5207 Bracket Same as Above LH..... 5.25
- 5230 Muffler Aluminized..... 59.95
- 5230-A Muffler Stainless Steel..... 250.00
- 5246-A Pipe Muffler Inlet RH ..... 35.00
- 5248-A Pipe Muffler Inlet LH..... 35.00
- 5251 Clamp Intermediate (2)..... 5.90
- 5251-SS Clamp Intermediate Stainless Steel..... 12.49
- 5251-B Clamp Rear like Original (2) ..... 9.00
- 5251-BSS Clamp Rear same as above Stainless Steel..... 12.85
- 5251-C Clamp C-Split Type Front (2)..... 7.50
- 5251-CSS Clamp Same as Above Stainless Steel..... 12.85
- 5255-KA Pipe Muffler Outlet 57 RH 2 Pieces ..... 59.00
- 5255-LA Pipe Muffler Outlet 57 LH 2 Pieces ..... 59.00
- 5255-MA Pipe Muffler Outlet 57 RH 2 Pieces, Has Resonator 129.65
- 5255-NA Pipe Muffler Outlet 57 LH 2 Pieces, Has Resonator 129.65
- 5256-A Resonator ..... 60.00
- 5259-A Hanger Front Muffler Outlet (2)..... 13.85
- 5259-ASS Hanger Same as Above Stainless ..... 37.95
- 5259-B Hanger Intermediate 57 (2)..... 13.20
- 5259-BSS Hanger Intermediate Stainless 57 ..... 22.85
- 5261-B Hanger Rear Tailpipe 57 (2) ..... 10.75
- 5261-BSS Hanger Same as Above Stainless ..... 22.85
- 5270 Clamp Muffler Inlet Pipe to Muffler 2" (2) ..... 13.85
- 5270-SS Clamp same as above Stainless Steel..... 13.85
- 9A427 Valve Exhaust Heat Riser..... 79.95
- 9430 Exhaust Manifold RH 55/57 ..... 255.00
- 9431 Exhaust Manifold LH 55/57 ..... 255.00
- 9A435 Spacer to Replace 9A427 ..... 20.95
- 9450 Gasket Exhaust Manifold to Inlet Pipe 3-Required... 2.90
- K5202B Kit Exhaust Deflectors (5202) to Bumper 57 12 Pieces ..... 9.95
- K5246 Kit Inlet Pipe to Manifold with Brass Nuts ..... 9.00
- 5256-CK Exhaust Clamp & Hanger Kit 57 ..... 126.00
- 5256-CKS Exhaust Clamp & Hanger Kit 57 Stainless Steel..... 269.00
- 5256-57A Exhaust Kit Aluminized 57 Exhaust Pipes & Mufflers ..... 289.00
- 5256-57AR Exhaust Kit Aluminized 57 with Resonators..... 419.00
- 5256-57S Exhaust Kit Stainless Steel 57 without Resonators.. 850.00
- 5256-57SR Exhaust Kit Stainless Steel 57 with Resonators..... 950.00

H  
I  
L  
L  
S  
  
T  
H  
U  
N  
D  
E  
R  
B  
I  
R  
D  
  
C  
E  
N  
T  
E  
R

**1955/57 Thunderbird Engine Support**

**Tech Information**

Journal Diameter  
 Rod: 2.1880-2.1888" Standard  
 Main 292: 2.4980-2.4988" Standard  
 Main 312: 2.6240-2.6248" Standard



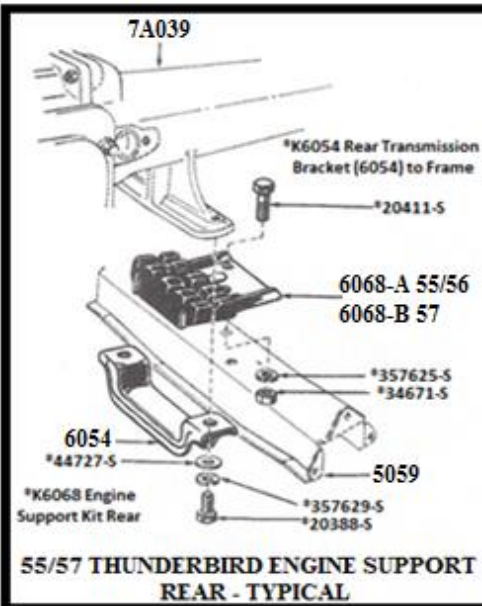
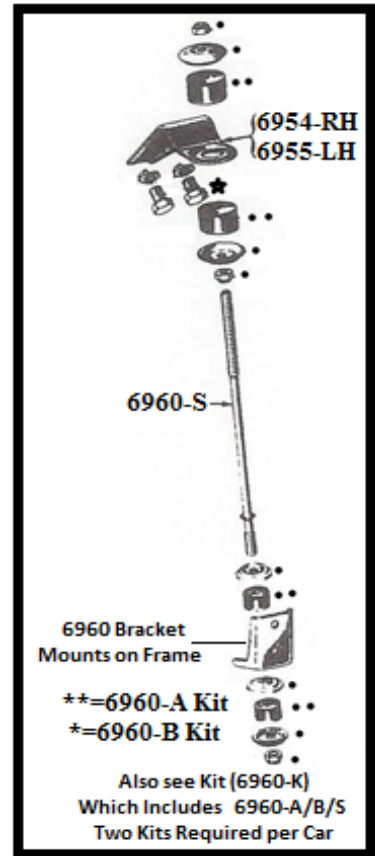
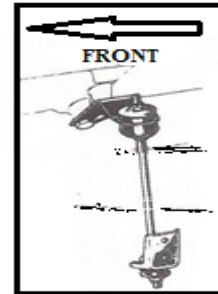
**55/57 Thunderbird Cylinder Block & Related Parts-Typical**

**ENGINE CASTING IDENTIFICATION**

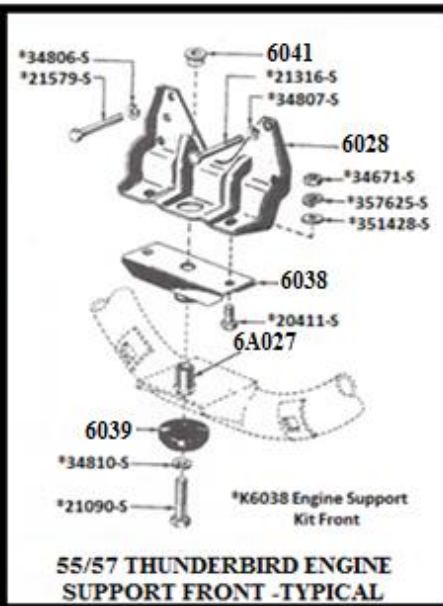
Engine Casting Numbers can be found on the RH Side of the Block. Example ECZ6015C Casting in most Cases indicates a 312 Engine / ECZ6015B 312 1955 292 Engine Casting Number ECK6015B EDB Casting on Engine Block in most cases will be a 292 C.I. However some were 312 C.I.

**CYLINDER HEAD CASTINGS**

Cylinder Head Castings – ECL-C 1955 292 Fordomatic 1955 292 ECL6090B Fordomatic ECL6090A S/T or O/D ECZ-B 56 292 S/T & 312 Overdrive ECZ-C 312 Fordomatic ECZ-G Found on all 312 1957 Models with all Transmissions ECZ-F 292 1957 with S/T / EDB-D 312 Supercharger ECL-C & ECL6090B are a Core Plug Head Early ECB-B Heads had a Core Plug, Late Heads were Smooth Replacement Heads ECZ-G: 312 have 5752 & 113 Cast on Head



**55/57 THUNDERBIRD ENGINE SUPPORT REAR - TYPICAL**



**55/57 THUNDERBIRD ENGINE SUPPORT FRONT - TYPICAL**

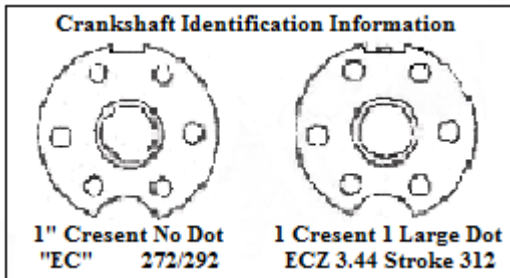
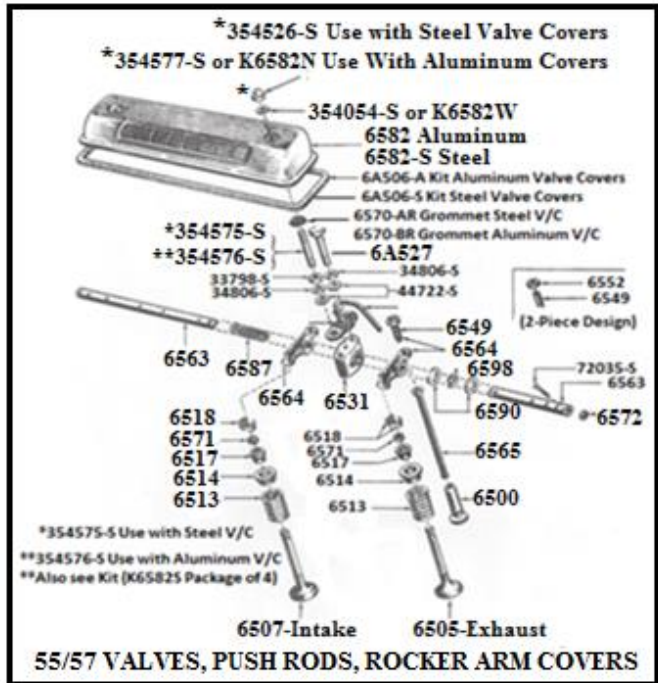
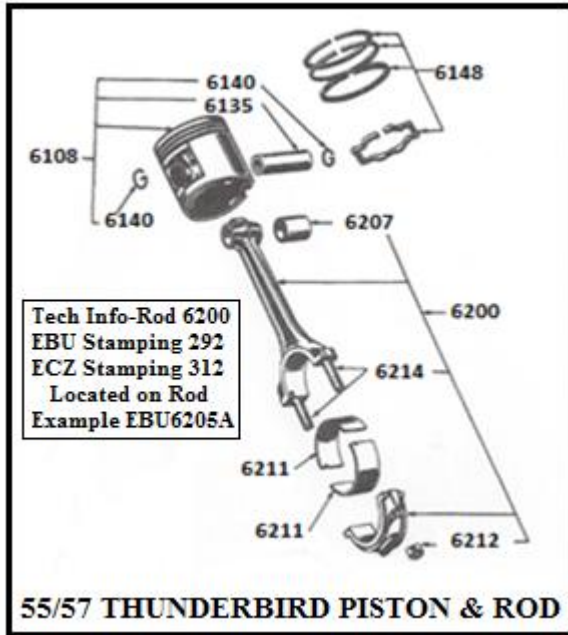
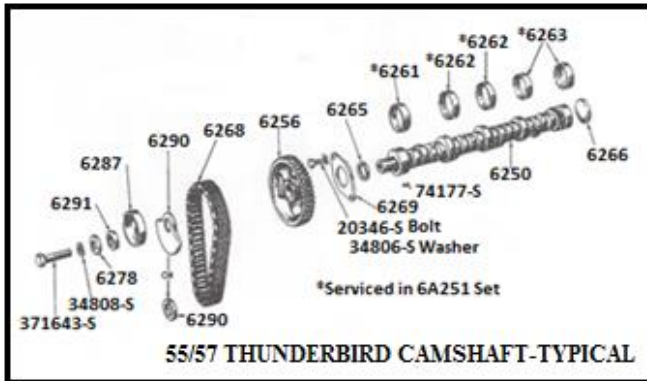
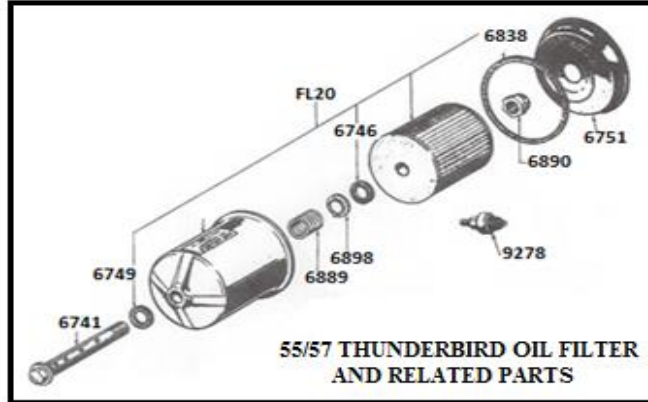
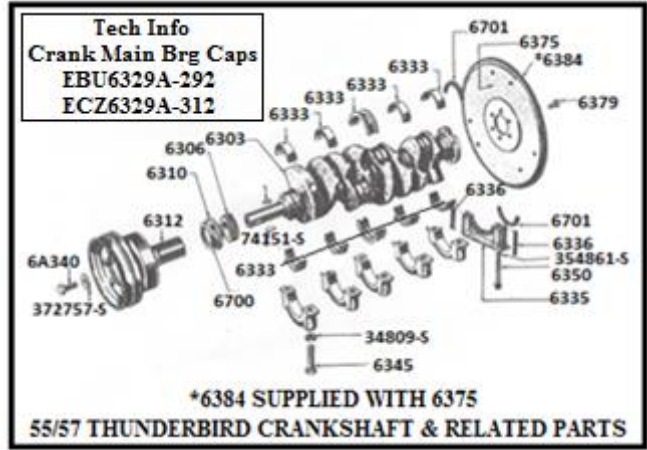
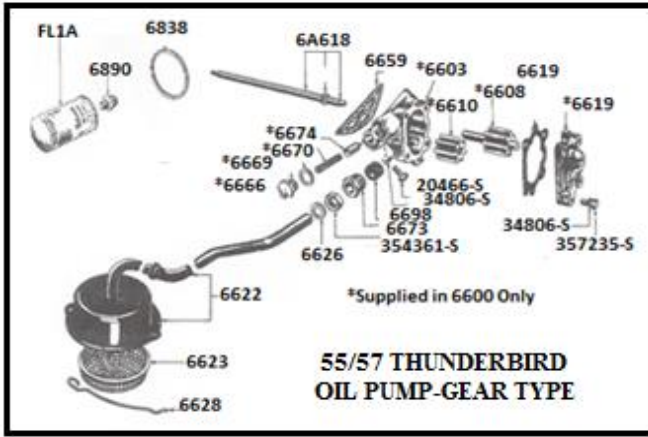


Refill Capacities  
 Engine Crankcase  
 55/56/57.....5qt.\*  
 \*Add 1 Quart Extra  
 With Oil Filter Replacement

H  
I  
L  
L  
S  
  
T  
H  
U  
N  
D  
E  
R  
B  
I  
R  
D  
  
C  
E  
N  
T  
E  
R

ILLUSTRATION ENGINE COMPONENTS

H  
I  
L  
L  
S  
  
T  
H  
U  
N  
D  
E  
R  
B  
I  
R  
D  
  
C  
E  
N  
T  
E  
R



# ENGINE PARTS

\*Limited Availability

## COMPLETE ENGINE GASKET SET

We hand-make these Sets to cut down on waste of normal Kits,  
And at the same time it gives you a Quality Kit.  
Kits do not Include Carburetor Gaskets

6008-A	Gasket Set Complete Overhaul-292.....	179.95
6008-B	Gasket Set Complete Overhaul-312.....	209.95
*6008-C	Gasket Set Complete Overhaul-292/312 With Original Type Rear Main Rope Seals.....	Call

6A008	Dowel Cylinder Head Alignment.....	5.00
*6019	Timing Chain Cover Use Original.....	95.00
6020	Timing Cover Gasket Only.....	5.20
6020-K	Timing Cover Gasket Set.....	22.40
6023	Pointer Engine Timing.....	13.59
6026-A	Freeze Plug Kit Engine.....	5.95
6026-B	Same as Above Brass.....	14.95
6A027	Spacer, Front Engine Support.....	3.10
6028	Support Bracket – Front Mount.....	60.00



6038



6039

6038	Insulator Engine Front Mount.....	23.00
K6038	Kit Front Engine Support Insulator to Front Engine Bracket (11) Pieces.....	4.00
6039	Insulator, Engine Support Lower.....	4.90
6041	Nut, Engine Front Insulator Bolt.....	7.29

See Pages 43-44 for Engine  
Illustrations

## ENGINE SUPPORT KIT

Includes (1) 6038, (1) 6068, (2) 6960-A



6038-KB

6038-KA	Engine Support Kit 55/56.....	53.55
6038-KB	Engine Support Kit 57.....	50.25
*6049	Cylinder Head Used.....	Call
C3TZ6049G	Cylinder Head Genuine Ford New Replacement 292, 312-Must use COME6507N Intake Valve.....	120.00
6051	Head Gasket.....	32.80
*6052	Plug Cylinder Head.....	4.00



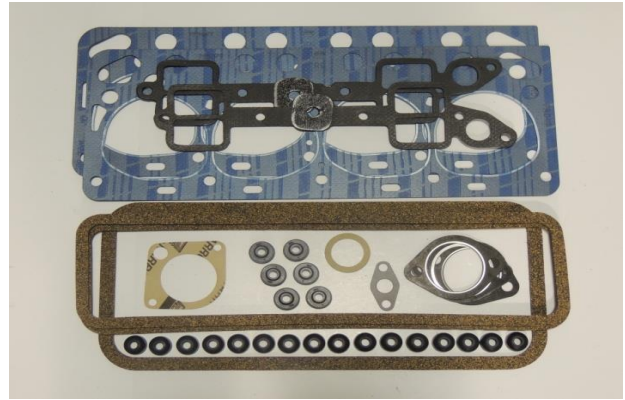
6068-B



6054

6054	Bracket, Rear Engine Mount.....	34.65
6068-A	55-56 Rear Transmission Mount.....	14.95
6068-B	57 Rear Transmission Mount.....	14.95

# ENGINE



6079

See 6008 for Complete Engine Gasket Set

6079	Gasket Set, Valve Grind.....	139.95
6108	Piston Set.....	Call
6148	Piston Ring Set.....	Call
*6200-A	Connecting Rod EBU-292.....	Call
*6200-B	Connecting Rod ECZ-312.....	Call
6211	Bearing Set Connecting Rods.....	Call
*6212	Nut Connecting Rod.....	4.50
6214-A	Bolt Kit Connecting Rods 292.....	119.95
6214-B	Bolt Kit Connecting Rods 312.....	119.95
6250	Camshaft (New).....	169.85
6A251	Camshaft Bearing Set (Bushing).....	63.85
6256	Sprocket, Timing Chain Camshaft.....	29.95
*6265	Spacer Camshaft Sprocket.....	Call
6266	Plug Rear of Block.....	3.25
6268	Timing Chain.....	47.95
*6269	Cam Shaft Thrust Plate.....	15.00
*6278	Washer Camshaft Sprocket.....	Call
*6287	Eccentric Fuel Pump.....	Call
*6290-A	Spacer Camshaft Fuel Pump Eccentric.....	Call
*6290-B	Spacer Counter Weight.....	Call
*6291	Spacer Camshaft Fuel Pump Drive.....	Call
6303-A	Crankshaft 292.....	Call
6303-B	Crankshaft 312.....	Call
6306	Sprocket Timing Chain Crankshaft.....	25.95
*6310	Slinger Crankshaft Oil.....	15.00



6312	Harmonic Balancer Pulley Assembly.....	519.95
6312-A	Speedy-Sleeve for Pulley & Damper Assembly.....	17.95
6312-R	Harmonic Balancer Pulley Assembly Rebuilt.....	319.00
	Core Charge.....	200.00

# ENGINE



6A321-D

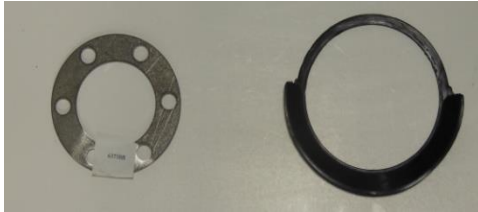
6335-BC

6A321-A	Seal, Rear Main, 292, Neoprene.....	21.00
6A321-B	Seal, Rear Main, 312, Neoprene.....	35.00
*6A321-C	Seal Kit Rear Main Ford Original Rope Type, Pair...	60.00
6A321-D	Seal, Rear Main, 312, Neoprene – New Style Made from High Temp Red Silicone.....	49.95

H  
I  
L  
L  
S  
  
T  
H  
U  
N  
D  
E  
R  
B  
I  
R  
D  
  
C  
E  
N  
T  
E  
R

**ENGINE**

6333	Bearing Main Set.....	Call
6335-A	Crankshaft Rear Seal Retainer (292) with Seal.....	139.95
6335-AC	Cap Only Crankshaft Seal 292.....	109.95
6335-B	Crank Rear Seal Retainer (312) with Seal & Instructions.....	139.95
6335-BC	Cap Only Crankshaft Seal 312.....	109.95
*6336	Seal Side Ford Original-Each.....	10.00
6336-A	Seal Side Replacement-Each.....	6.00
6A340	Bolt, Harmonic Balancer.....	3.00
*6350	Bolt, Rear Main Cap.....	12.50
*6366	Cover Flywheel Inspection S/T.....	Call
K6366	Kit Flywheel Inspection Cover (6366).....	4.00
*6375	Flex Plate Early 55 Used Original F/M.....	Call
6375-A	Flex Plate Later Design F/M will Replace 6375 Reproduction 55/57.....	51.95
*B4AZ6375B	Flywheel 11" Standard Transmission 55/57 NOS.....	350.00
*6375-CR	Flywheel S/T Used Original Recondition.....	275.00
*6375-D	Flex Plate Later Design Used Original F/M.....	75.00
*6375-F	Flex Plate Later Design Ford Original F/M.....	250.00
6375-S	Plate Flywheel Reinforcement Thick Type F/M.....	18.00
*6375-T	Flywheel S/T 10" Used Original.....	150.00
6379-A	Bolt Kit F/M Flex-Plate to Crankshaft.....	Call
6379-S	Bolt Flywheel to Crankshaft S/T-O/D.....	Call
6384	Gear Flywheel Ring with S/T and O/D.....	44.70
*6392	Bell Housing Standard Transmission 55/57 Used..	100.00
*73249-S	Dowel Alignment Standard Trans Bell Housing.....	7.50



6375-S

6436

6436	Seal, Starter to Flywheel Housing.....	12.95
6500	Valve Lifter.....	12.75
6505	Valve Exhaust.....	9.75
6A506-A	Kit Rocker Arm Covers with Aluminum Covers Includes 2-Gaskets & 4-Grommets.....	16.95
6A506-AK	Kit Rocker Arm Cover Gaskets & Hardware To Install Aluminum Valve Covers 2-Gaskets, 4-Grommets, Studs, Nuts, Washers... ..	39.95
6A506-G	Gasket Only Rocker Arm Covers.....	7.25
6A506-S	Kit Rocker Arm Covers with Steel Painted Covers Includes 2-Gaskets & 4-Grommets.....	17.95
6507-A	Valve Intake 292.....	15.50
COME6507N	Valve Intake use with C3TZ6049G Cylinder Head Head Dia: 1.65" Stem Size:STD Stem Dia:.3420".....	12.00
6507-B	Valve Intake 312.....	15.50
6513	Valve Spring.....	2.85
6514	Retainer - Valve Spring except D-4 and S/C.....	2.50
*6515	Spacer Valve Spring.....	Call
6517	Retainer Sleeve - Valve Spring.....	1.75
6518	Valve Keeper (2) Halves.....	0.85
*6519	Valley Pan - Used, Original.....	Call
6519-E	Valley Pan - Flat E-Bird Replacement.....	114.95
6521	Valley Pan Gasket.....	8.95
6521-K	Kit Valley Cover Gaskets and Grommets.....	9.95

**VALVE COVER STUDS**

354575-S	Stud for Steel Valve Cover.....	1.95
354576-S	Stud for Aluminum Valve Cover.....	3.10
*6A527-C	Bolt Rocker Arm and Shaft to Cylinder Head.....	Call
*6531	Rocker Arm Support.....	Call
6549	Screw Rocker Arm Adjusting Use with 6552.....	4.65
*B6A6549C	Screw Rocker Arm Adjusting B6A6549-C.....	12.00
6552	Lock Nut Valve Rocker Arm.....	1.85

**ENGINE**



6563

*6563	Rocker Arm Assembly.....	Call
6563-S	Shaft Only Rocker Arm.....	44.95
6564	Rocker Arm.....	40.67
	EAN or 5751066-1.43:1 Ratio / ECG6564-1.54:1 Ratio	
6565-A	Push Rod 292-8. 188" Long 56/57.....	4.85
6565-B	Push Rod 292 and 312-8. 188" Long 56/57 Except 57 Dual 4 BBL and S/C.....	9.85
6570-AR	Grommet for Steel Valve Covers and Valley Pan 4-Required for Valve Covers / 2-for Valley Pan.....	1.50
6570-BR	Grommet for Aluminum Valve Covers 4-Required.....	1.25
6570-C	Grommet for Power Steering Reservoir Cover.....	0.90
6571	Seal, Valve Stem, Each.....	1.65
6572	Plug Rocker Arm Shaft, Limited Quantity Available.....	7.75
6575	Bracket, Rocker Arm Oil Tube.....	3.00
*6575-A	Drip Trough, Used Originals Triangle Shape.....	8.00
*6575-B	Drip Trough, Front of Engine Block Timing Chain.....	20.00

**ALUMINUM VALVE COVERS**

6582	Aluminum Valve Cover (Reproduction).....	199.95
K6582K	Kit Washer, Nut, Seals, for Aluminum Valve Covers.....	25.50
K6582N	Kit Nuts Only for Aluminum Valve Covers 4 Pieces.....	10.00
K6582NSW	Kit Washer, Nut, Studs for Aluminum Valve Covers.....	18.95
K6582S	Studs Only for Aluminum Rocker Covers (Pkg.of 4).....	12.40
K6582W	Kit Washers Only for Aluminum Valve Covers.....	6.00
354575-S	Stud Use with Steel Valve Covers.....	1.95
354576-S	Stud Use with Aluminum Valve Covers.....	3.10

**ALUMINUM VALVE COVER KIT**



6582

Includes (2) 6582 Aluminum Valve Covers (4) Chrome Washers (4) Chrome Nuts (4) Grommets (4) Studs (2) Valve Cover Gaskets

6582-K	Aluminum Valve Cover Kit.....	419.95
6582-S	Steel Valve Covers Original.....	50.00
*6587	Spring, Rocker Tube Arm.....	Call
6588	Oil Outlet Tube.....	7.50
*6590	Washer Rocker Arm Sleeve.....	Call
*6598	Washer Spring Valve Rocker Arm.....	Call



6600

6622

6600	Oil Pump - Includes Mounting Gasket.....	157.95
	*Limited Availability	
6A618	Shaft, Oil Pump Intermediate.....	14.95
6619-A	Gasket, Oil Pump Cover - Oil Ring.....	3.40
6619-B	Gasket Oil Pump Cover.....	1.65
*6622	Oil Pick-Up Tube Used Original.....	Call
*6623	Screen Assembly for Oil Dump.....	35.00

**ENGINE / OIL FILTER**

6626	Gasket, Oil Pump Inlet Tube .....	1.25
6628	Retainer Oil Pump Screen .....	12.95
6659	Gasket, Oil Pump to Block .....	2.95
*6666	Plug Oil Relief Valve .....	Call
*6669	Gasket Oil Relief Valve .....	Call
*6670-A	Spring Oil Pump Body Relief Valve Gear Type Pump	Call
*6670-B	Same as Above Rotor Type Pump .....	Call
6673	Nut, Oil Pump to Oil Pan Inlet Tube .....	14.95
*6675	Oil Pan 292/312 .....	Call
*6677	Cover Starter Pinion .....	25.00
6698	Seal, Oil Pan to Oil Pump Tube .....	6.25
*B4A6698A	Seal Oil Pump to Oil Pump Tube Ford Original .....	8.25
6700	Seal, Timing Chain Front Cover .....	12.50
*6701	Seal Rear Main Rope Type Original, Each .....	Call



**6710 (Both), 6710-G (Outer)**

6710	Gasket Set Oil Pan .....	22.55
6710-G	Gasket Only Oil Pan .....	8.95
K6675-A	Kit Oil Pan to Block 55/56 .....	15.75
K6675-B	Kit Oil Pan to Block 57 .....	16.75
6730-A	Plug, Oil Drain Pan 55/56 7/8" Diameter .....	9.95
6730-B	Plug Oil Drain Pan 57 1/2" Diameter .....	2.05
6730-C	Plug Oversized for Oil Pan 55/56 .....	5.29
6730-D	Plug Oversized for Oil Pan 57 .....	2.65



**FL20**

**FL1A**

<b>FL20</b>	<b>Oil Filter Element "Can Type" 55/56 .....</b>	<b>8.99</b>
<b>FL1A</b>	<b>Oil Filter "Spin-On Type" 57 .....</b>	<b>4.99</b>
6734-A	Gasket Oil Drain Plug 7/8" Plastic 55/56 .....	1.25
6734-B	Gasket Oil Drain Plug 57 1/2" .....	1.00
6734-C	Gasket Oil Drain Plug Copper 55/56 Ford Original...	3.00
*6737	Cover, Oil Filter "Can Type" Used .....	25.00
<b>Canisters were Painted Black</b>		
*6741	Bolt-Oil Filter "Can Type" - Used Original .....	Call
6749	Gasket Oil Filter Center Bolt .....	1.70



**6750**

6750	Oil Level Dipstick, Exact Reproduction .....	21.95
*6751	Diaphragm, Element Type Oil Filter .....	25.00



**6754**

6754	Tube, Dipstick .....	24.26
6758	Tube Road Draft .....	44.59



**6758-AK**

**6758-BK**

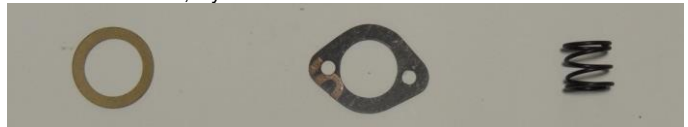
6758-AK	Kit PCV Conversion 55/56 .....	52.00
6758-BK	Kit PCV Conversion 57 .....	62.00

**ENGINE / ENGINE STEADY REST**



**6766-AR**

6766-AR	Oil Filler Cap, Chrome, Reproduction has the RR Stamped into the Top .....	26.95
6766-BR	Oil Filler Cap, Painted, Used on 57 without Engine Dress-Up .....	15.95
6766-CR	Oil Filler Cap, Painted, Used on 55/56 without Engine Dress-Up .....	26.95
6838	Gasket, Oil Filter Diaphragm .....	1.50
6869	Cover, Cylinder Block Vent .....	6.34

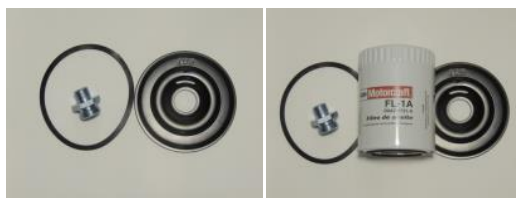


**6870**

**6872**

**6889**

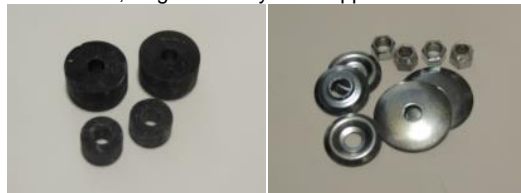
6870	Gasket Crank Vent Tube .....	1.00
6872	Gasket Block Vent Tube Opening Cover .....	0.40
6882-K	Oil Filter Adapter Kit	
	Converts Can Type Filter to Spin-On Type	
	Comes with Adapter Plate, Seal, and Insert .....	29.95



**6882-K**

**6882-AK**

6882-AK	Oil Filter Adapter Kit with Oil Filter .....	33.95
6889	Spring Oil Filter Element .....	4.95
6890-A	Insert Oil Filter Mounting Bolt (Can Type) .....	24.95
6890-B	Insert Oil Filter Mounting (Spin-On Type) .....	9.70
*6898	Retainer Oil Filter Element .....	6.00
*6916-A	Solenoid Overdrive 6V .....	Call
*6916-B	Solenoid Overdrive 12V .....	Call
*6919	Governor, Overdrive Transmission .....	Call
*6922	Gear, Overdrive Governor .....	Call
6927	Seal, Overdrive .....	2.95
*6929	Retainer Ring O/D Governor Driven Gear .....	Call
6941	Cover Overdrive Governor Rubber .....	5.95
6954	Bracket, Engine Steady Rest Upper RH .....	13.95
6955	Bracket, Engine Steady Rest Upper LH .....	13.95



**6960-A**

**6960-B**

6960-A	Grommet Kit Engine Steady Rest (4 Pieces) 2/Car ..	3.41
6960-B	Washer Kit, Engine Steady Rest 2 per Car .....	6.29



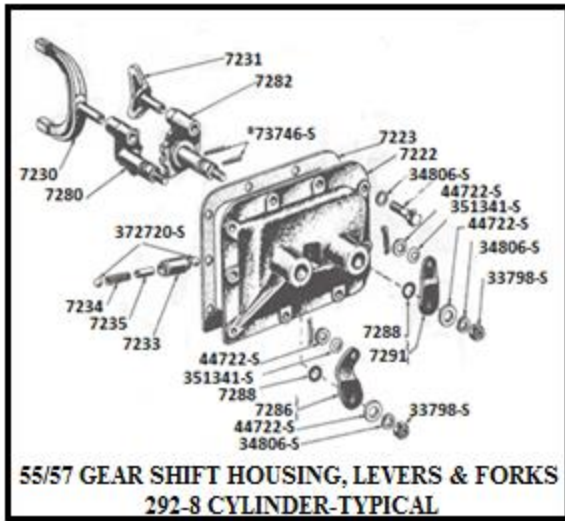
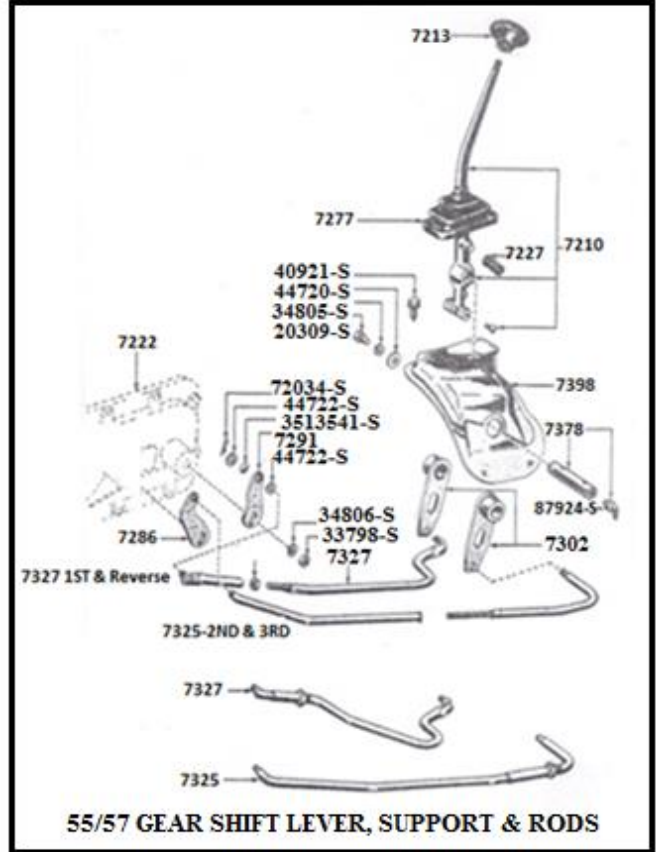
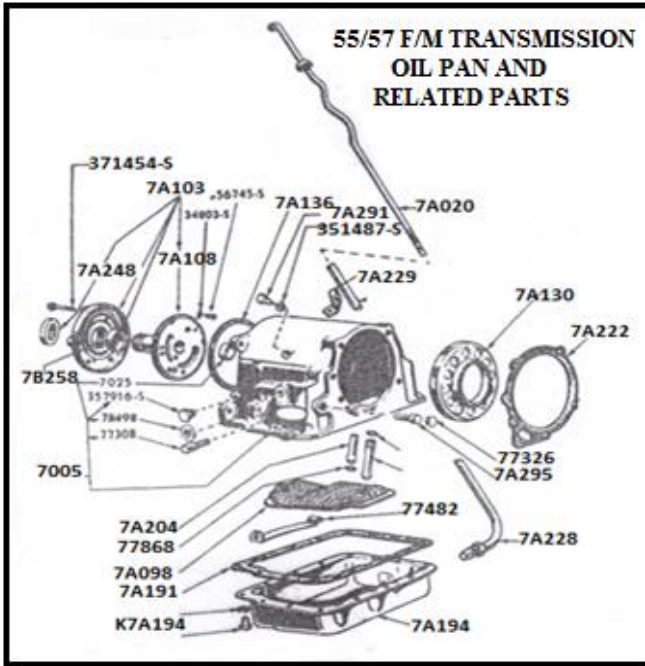
**6960-K**

**6960-S**

6960-K	Kit-Engine Steady Rest (Need 2-per Car) .....	15.95
6960-S	Rod Special Engine Steady Rest (Need 2-per Car) ..	6.80

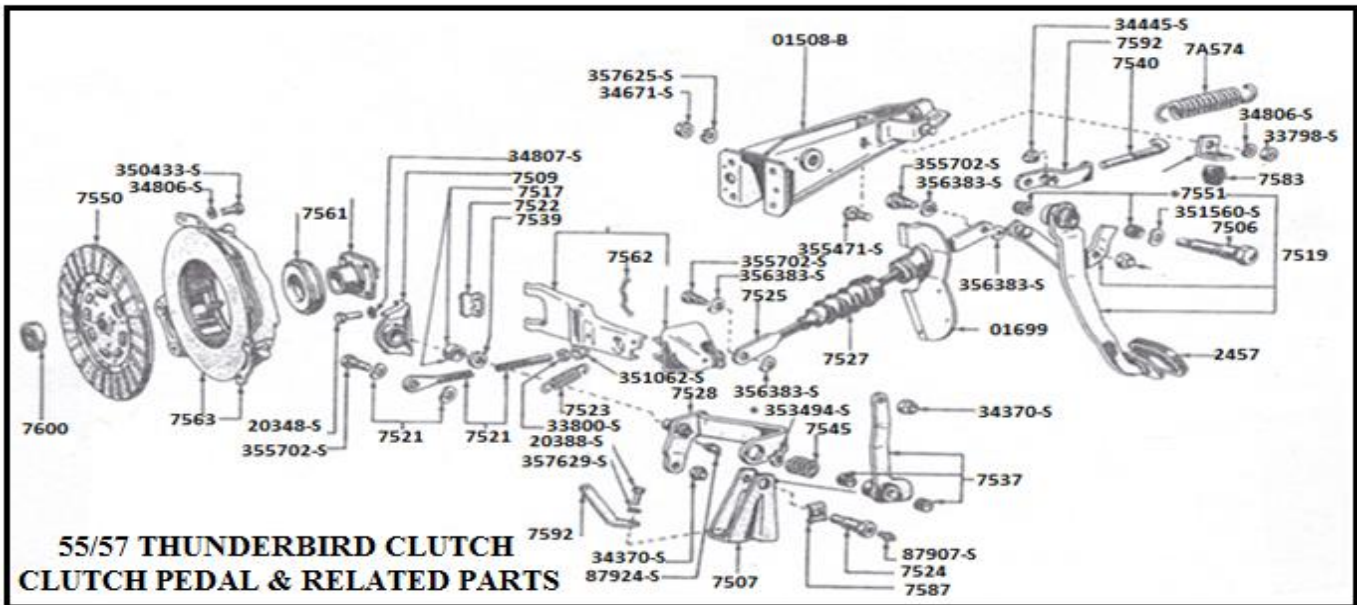
H  
I  
L  
L  
  
T  
H  
U  
N  
D  
E  
R  
B  
I  
R  
  
C  
E  
N  
T  
E  
R

ILLUSTRATION TRANSMISSION



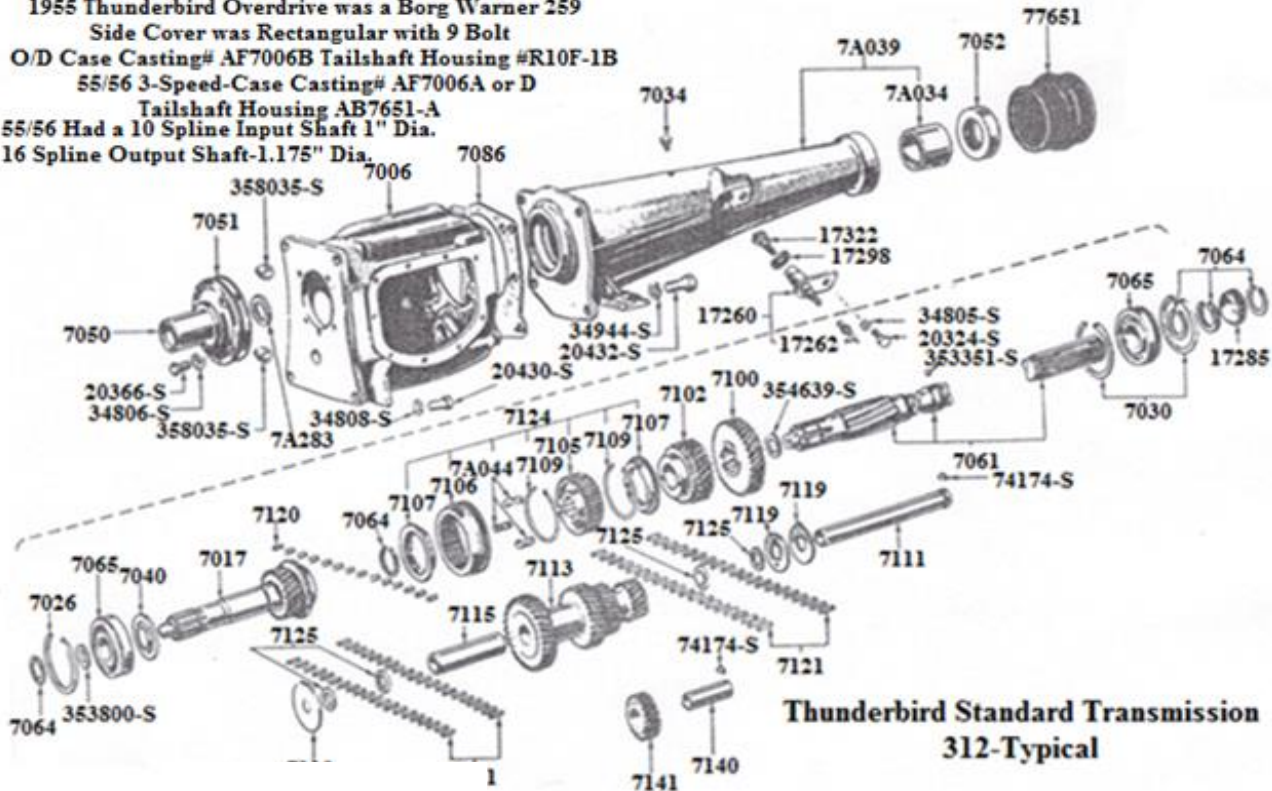
**Standard Transmission**  
Fill Transmission thru Transmission Case Filler Plug Only. Add slowly until it runs out the filler plug hole

**Refill Capacities**  
1955.....3 pt.  
1956.....3.5 pt.  
1957...S/T-3 pt. with O/D.4.5 pt.  
Refill S/T Using Multi-Purpose Gear Lubricant, S.A.E. 90W Or S.A.E. 80W at -10 Degrees

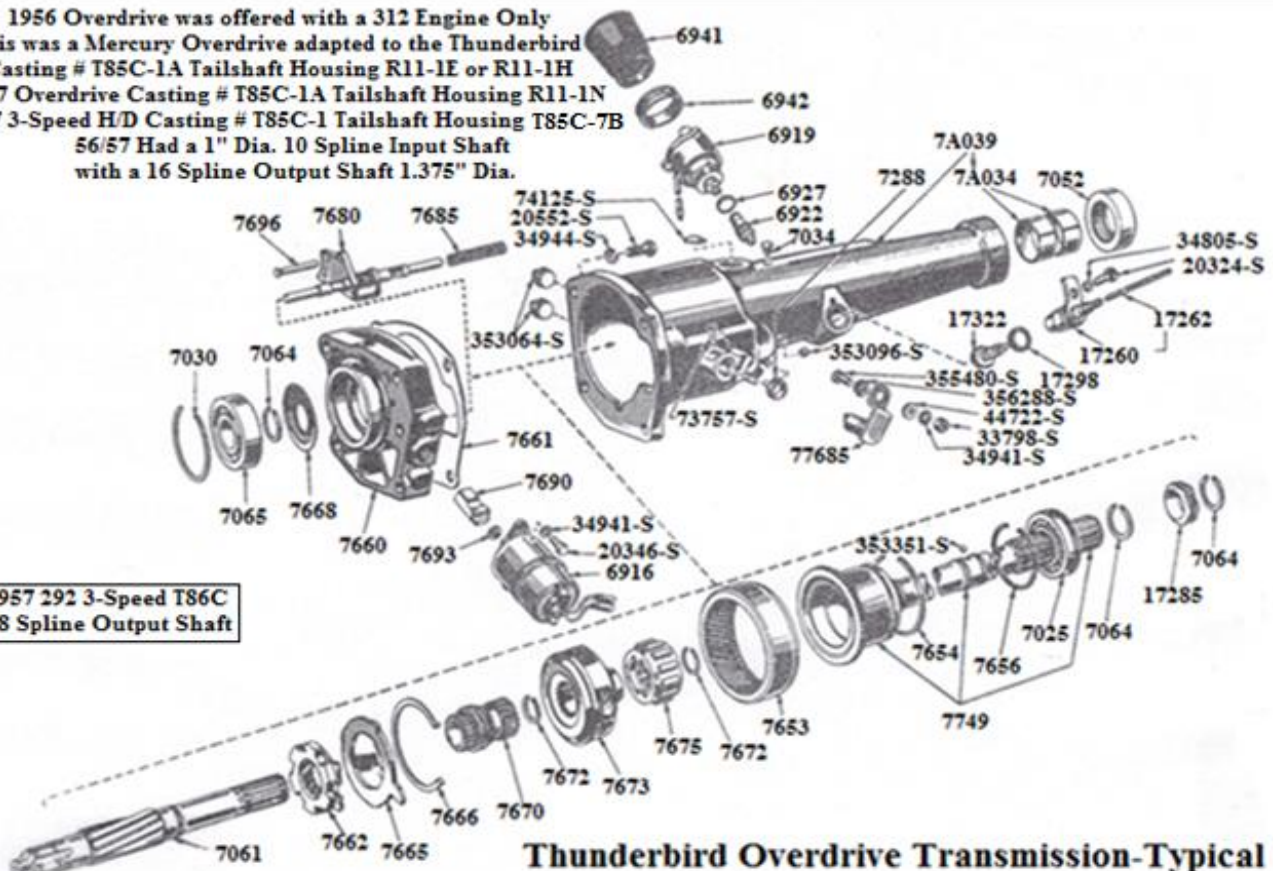




1955 Thunderbird Overdrive was a Borg Warner 259  
Side Cover was Rectangular with 9 Bolt  
O/D Case Casting# AF7006B Tailshaft Housing #R10F-1B  
55/56 3-Speed-Case Casting# AF7006A or D  
Tailshaft Housing AB7651-A  
55/56 Had a 10 Spline Input Shaft 1" Dia.  
16 Spline Output Shaft-1.175" Dia.



1956 Overdrive was offered with a 312 Engine Only  
This was a Mercury Overdrive adapted to the Thunderbird  
Casting # T85C-1A Tailshaft Housing R11-1E or R11-1H  
1957 Overdrive Casting # T85C-1A Tailshaft Housing R11-1N  
1957 3-Speed H/D Casting # T85C-1 Tailshaft Housing T85C-7B  
56/57 Had a 1" Dia. 10 Spline Input Shaft  
with a 16 Spline Output Shaft 1.375" Dia.



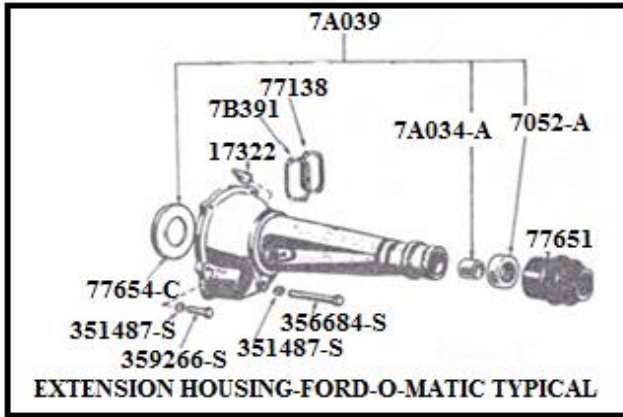
1957 292 3-Speed T86C  
28 Spline Output Shaft



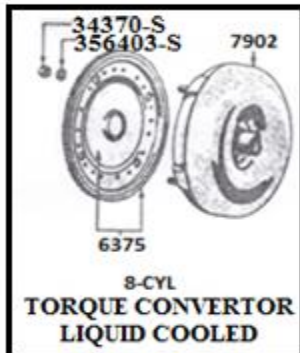
HILL'S THUNDERBIRD CENTER 866-949-1956

H  
I  
L  
L  
S  
  
T  
H  
U  
N  
D  
E  
R  
B  
I  
R  
D  
  
C  
E  
N  
T  
E  
R

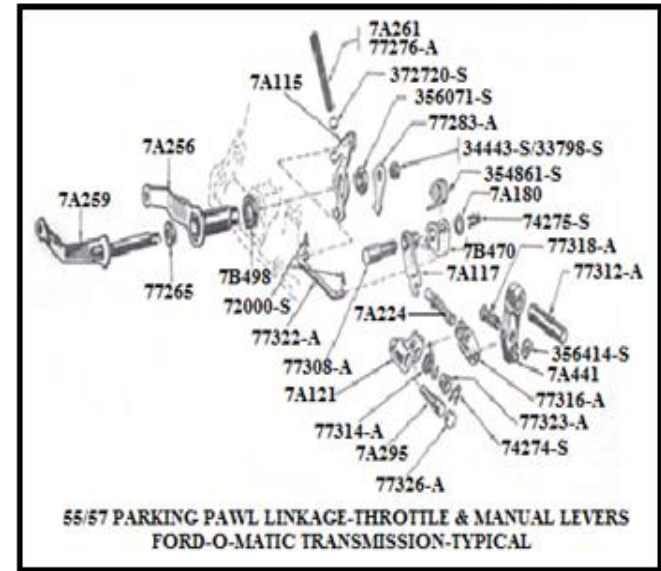
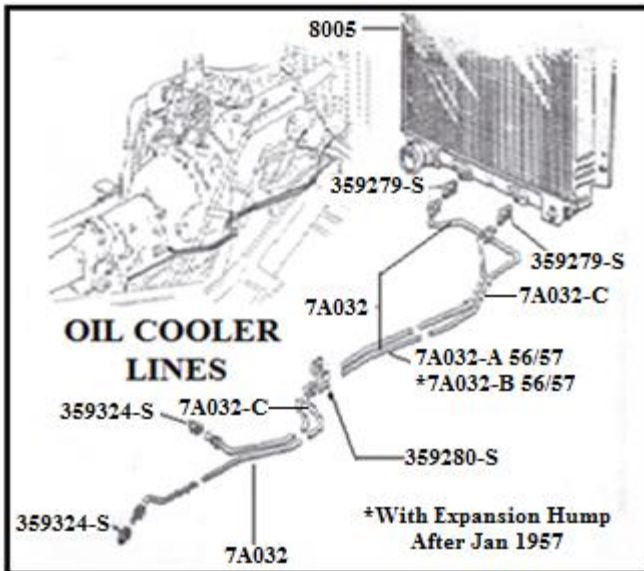
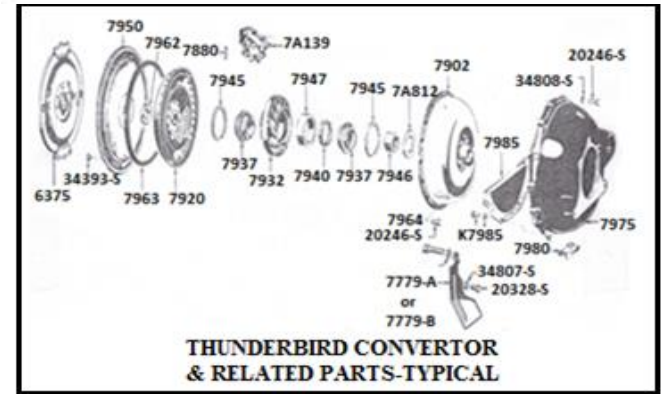
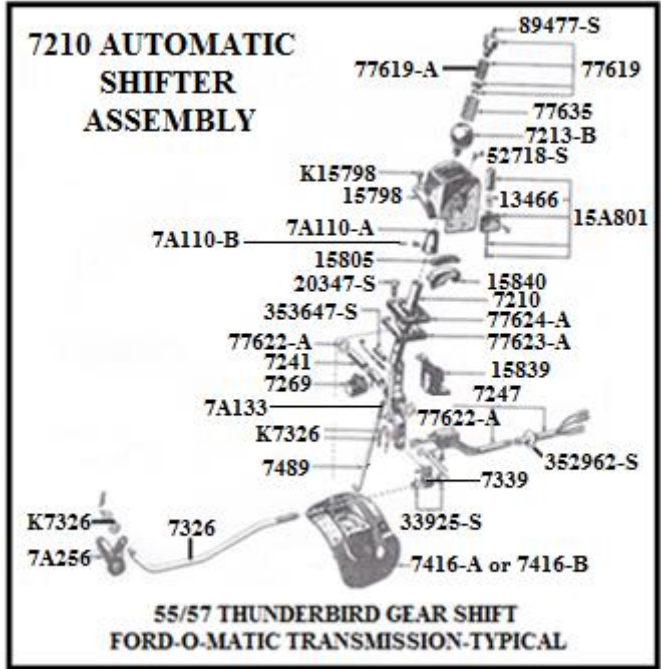
ILLUSTRATION TRANSMISSION



\*(2) Piece Design Serviced By (1) Piece Design



7A032-C  
Clips that Hold  
Transmission Cooler  
Lines Together  
7A032-C.....1.50 Each



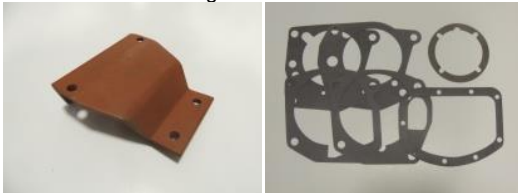
# STANDARD TRANSMISSION PARTS

\*7003 Transmission Used Original..... Call



**7017** **7113**

- \*7017-A Input Shaft 56-312 O/D B5A7017A ..... 225.00
- \*7017-B Input Shaft 57-292-S/T B7A7017B..... 95.00
- \*7017-G Input Shaft 57-312 S/T and O/D B7A7017G..... 195.00
- \*7017-H Input Shaft 55/56-55/56 S/T & 55 O/D B7A7017H... 165.00
- 7025-A Bearing Input Shaft 55/57 with 292 O/D and S/T.... 39.80
- 7025-B Bearing Output Shaft 55/57 with 292 O/D and S/T  
Also used at O/D Main shaft 55 with 292 ..... 32.95
- \*7026-A Snap Ring Input Shaft Bearing (51A7026) ..... 5.00
- \*7026-B Snap Ring Input Shaft Bearing (8L7026)..... Call
- \*7030-A Snap Ring Transmission (8M7030A) ..... 12.00
- \*7030-B Snap Ring Transmission (8L7030A) ..... Cal
- 7034 Vent Transmission and O/D ..... 19.49
- 7A034A Bushing Extension Housing (55-292-O/D S/T)  
57 292-S/T..... 12.40
- \*7A034-B Bushing Extension Housing 56/57 O/D 312 S/T .... 19.75
- \*7A039-B Extension Housing S/T or O/D ..... Call
- \*7040-A Baffle Input Shaft Bearing Oil 56/57 O/D 57 S/T.... 7.50
- \*7A044-A Insert Intermediate and High Clutch Hub  
55 292 O/D-55/57 292 S/T O/D B1AZ7A044A..... 3.00
- \*7A044-B Insert Intermediate and High Clutch Hub  
56/57 312 S/T O/D B5AZ7A044A..... 11.20
- \*7050 Retainer Input Shaft Bearing..... Call
- 7051-A Gasket Input Shaft Bearing Retainer  
55/57 292 S/T 55 292 O/D (C2AZ7051B)..... 3.85
- 7051-B Gasket Input Shaft Bearing Retainer  
56/57 312 O/D 57 312 S/T (B6C7051A) ..... 3.85
- 7052-B Seal Transmission Rear Output 56/57 O/D 57 312 10.75
- 7052-C Seal Trans Rear 55/56 STD 55 O/D & 57 with 292 11.50
- \*7059-A Snap Ring Output Shaft Synchronizer (B7A7059A) 3.00
- \*7061-C Main Shaft Output 55/56 S/T (B5A7061C) ..... 250.00
- \*7061-D Main Shaft Output 55 292-O/D (B5A7061D) ..... 200.00
- \*7061-E Main Shaft Output 57 292 S/T (B5A7061E)..... Call
- \*7061-F Main Shaft Output 56/57 312 O/D (B5A7061F) ..... Call
- \*7064-A Snap Ring (8L7064)..... 12.00
- 7065 Bearing Input Shaft 56/57 with 312 O/D and S/T Rear  
Output Shaft and O/D Main shaft ..... 31.50
- 74125-S Plug O/D to Access Snap Ring at Rear Bearing..... 2.85
- 7075 Transmission Alignment Plate Rear Mount ..... 19.95



**7085** **7153**

- \*7085 Bracket Transmission Mount 56 Overdrive..... Call  
All 56 T-Birds with O/D Transmissions used a Mercury Trans  
The 7085 Bracket was used to mount the transmission  
At the rear transmission cross member.
- \*7086-B Gasket Extension Housing 55/57 292 S/T ..... 3.85
- \*7086-C Same as Above 55 292 O/D to Transmission..... 3.65
- \*7086-D Same as Above 57 312 S/T-Trans to Ext.Housing  
56/57 312 O/D Adapter to Trans ..... 4.45
- \*7100-A Gear Low & Reverse Sliding 57 292 S/T  
(B9AR7100A) ..... 125.00
- \*7100-B Same as Above 55/56 S/T, 55 O/D(COTR7100A). 135.00
- \*7100-C Same as Above 56/57 O/D, S/T (B5A7100B)..... 215.00
- \*7102-A Gear Intermediate 55/57 292 S/T (B7A7102A)..... 120.00
- \*7102-D Same as Above 56/57 O/D, 57 312 (B5A7102D) . Call
- \*7105-A Hub Intermediate and High Clutch  
55/56 292 S/T 55 292 O/D (51A7105)..... 80.00
- \*7105-B Same as Above 57 292 S/T (WAA7105A)..... .Call
- \*7105-C Same as Above 56/57 O/D 57 S/T (8L7105)..... .Call
- \*7106-A Sleeve Intermediate and High Clutch..... Call  
55/56 292 S/T 55 292 O/D (O1A7106) ..... 100.00
- \*7106-B Same as Above 56/57 O/D 57 S/T (C1AA7106A) Call
- \*7107-A Ring Synchronizer Blocking 56/57 312 O/D, S/T  
(8L7107) ..... Call

- \*7107-C Ring Synchronizer Blocking 55 292 O/D  
55/56 S/T (81A7107C).....23.20
- \*7109-A Snap Ring Synchronizer 56/57 O/D, 57 312 S/T  
(8D7109).....8.75
- \*7109-B Snap Ring Synchronizer 55/57 292 S/T 55 292 O/D  
(C2AZ7109A) ..... 8.75
- \*7111-A Countershaft 56/57 312 O/D 57 312 S/T(8L7111) 39.65
- \*7111-B Countershaft 55/57 292 S/T 55 292 O/D  
(COAR7111A) ..... 26.85
- \*7113-D Gear Countershaft Cluster 56/57 O/D 57 STD  
29-25-19-15 Teeth (B5A7113D) ..... 275.00
- \*7113-F Gear Countershaft Cluster 57 292 S/T  
(B7A7113F)..... 175.00
- \*7113-H Gear Countershaft Cluster 55-O/D 55/56-S/T  
24-22-19-15 Teeth (B7A7113H) ..... 175.00
- \*7115-A Spacer Countershaft Gear Pilot Bearing  
55/57 292 S/T 55 292 O/D (B5A7115A)..... 30.00
- \*7115-B Same as Above 56/57 O/D 57 312 S/T (8L7115) . Call
- \*7118-A Roller Bearing Input Shaft Pilot 55 with 292 O/D  
55/57 292 S/T 15 Pieces (8A7118)..... 20.00
- \*7119-A Washer Thrust 55/57 292 55 O/D (B7A7119A) R 8.75
- \*7119-B Same as Above 55/57 292 55 O/D (C1AR7119A) 8.75
- \*7119-C Same as Above 56/57 O/D 57 S/T (B5AZ7115C) R12.00
- \*7119-D Same as Above 56/57 O/D 57 S/T (B5AZ7119A) 12.00
- \*7119-E Same as Above 56/57 O/D 57 S/T (8L7119) F .... 20.00
- 7120-B Roller Bearing Input Shaft Pilot 56/57 312 O/D 56/57  
312 S/T 14 Pieces (MC7120B) ..... 20.00
- 7121-A Roller Countershaft Gear Pilot 55/57 292 S/T 55 292  
O/D 50 Pieces (8A7121)..... 22.40
- 7121-B Roller Countershaft Gear Pilot 56/57 312 S/T and  
O/D 80 Pieces (8L7121) ..... 22.40
- \*7124-A Synchronizer Assembly 55/56 292 S/T, 55 292 O/D  
(C2TZ7124A) ..... Call
- \*7124-B Same as Above 57 292 S/T (C2AZ7124A) ..... 125.00
- \*7124-C Same as Above 56/57 312 O/D 57 S/T (8L7124) . Call
- \*7125-A Spacer Countershaft Gear Bearing Roller  
56/57 O/D, 57 312 S/T (8L7125)..... 9.85
- \*7140-A Shaft Reverse Idler Gear 55/57 292 S/T 55 292  
O/D (B7140A)..... 19.80
- \*7140-B Same as Above 56/57 312 O/D 56/57 S/T 8L7140 19.80
- \*7141-A Gear Reverse Idler 55 292 O/D, 55/56 292 S/T  
(B9TR7141)..... 125.00
- \*7141-B Gear Reverse Idler 57 292 S/T (B9AR7141A)..... 125.00
- \*7141-C Gear Reverse Idler 56/57 312 O/D, 57 312 S/T .. 175.00
- 7153-B Gasket Set 55/56 S/T 292 or 57 S/T 292 ..... 12.45
- 7153-C Gasket Set 55 with O/D Only 292 ..... 15.75
- 7153-D Gasket Set 56/57 O/D 312 or 57 S/T 312 ..... 24.85
- \*7155-A Pin Countershaft Reverse Idler 55/57 292 S/T,  
55 292 O/D (8A7155) ..... 10.00

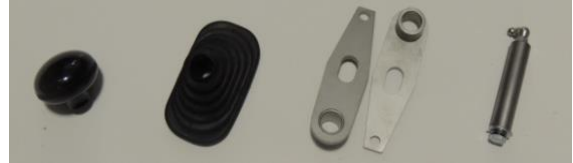


**7A185-B**



**7A185-E**

- 7A185B Bell crank on Manifold S/T 55 Early 56 ..... 89.95
- 7A185E Bell crank Rear E-Bird..... 150.00
- \*7210-S Shifter S/T 55/57 ..... Call
- \*7210-S S Shifter S/T Upper Shaft 55/57..... Call



**7213** **7277** **7302** **7378**

- 7213 Ball Gear Shift Lever S/T and O/D ..... 10.40
- 7A215 Bracket Overdrive Cable to Dash ..... 9.95
- \*7222-A Cover Housing Trans Shifter 55/57 S/T 55 O/D ... Call
- \*7222-B Cover Housing Trans Shifter 56/57 O/D 57 312 S/T Call
- \*7223-A Gasket Gear Shift Housing  
55/57 292 S/T 55 292 O/D (C2AZ7223A) ..... 4.75
- \*7223-B Same as Above 56/57 O/D 57 312 S/T (8L7223A) 3.00
- 7227 Spring Gear Shift Lever ..... 9.95

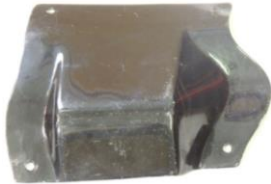
51

H  
I  
L  
L  
S  
  
T  
H  
U  
N  
D  
E  
R  
B  
I  
R  
D  
  
C  
E  
N  
T  
E  
R

**STANDARD TRANSMISSION**

*7230-A	Shift Fork Intermediate and High (C2AZ730A) 57 312-S/T 56/57 312-O/D.....	Call
*7230-B	Shift Fork Intermediate and High (COAR7230B) 55/57 292-S/T.....	Call
*7231	Shift Fork Low and Reverse (8L7231) 57 312-S/T 56/57 312-O/D.....	Call
*7231-A	Shift Fork Low and Reverse (C1AR7231A) 55/57 292-S/T 55 292-O/D.....	Call
*7233-A	Sleeve Shifter Fork 56/57 O/D S/T (8L7233A).....	Call
*7233-B	Plunger Shifter Fork Cam & Shaft Lock(8A7233) ....	22.75
*7234	Spring Shifter Fork Cam .....	Call
*7235	Pin Shifter Fork Cam .....	Call
7277	Boot Gear Shift Lever S/T .....	17.95
*7280-A	Cam & Shaft Asy. High & Intermediate Shift Fork 55/57 292-S/T 55 292-O/D (1A7280A) .....	Call
*7280-B	Cam & Shaft Asy. High & Intermediate Shift Fork 57 312-S/T 56/57 312-O/D (B5A720A).....	Call
*7282-A	Cam & Shaft Asy. Low & Reverse Shift Fork 55/56 292-S/T 55 292-O/D (B5A7282A).....	Call
*7282-B	Cam & Shaft Asy. Low & Reverse Shift Fork 57 312 S/T 56/57 312-O/D.....	Call
*7282-C	Cam & Shaft Asy. Low & Reverse Shift Fork 57 292 (B7A7282A) .....	Call
7A283	Seal Input Shaft 57 S/T and O/D.....	9.75
7286	Lever Transmission 2nd and 3rd S/T .....	29.95
7288	Seal O/D Control and Manual Shift Levers.....	8.75
7288-A	Seal O-Ring Shift Levers .....	1.65
7291	Level Transmission 1st and Reverse S/T .....	29.95
7302	Level Standard Shifter 2 per Car.....	41.95

**\*Limited Availability**



**7324**

*7324	Transmission Inspection Plate, Used .....	20.00
-------	---	-------



**7327**

**7325**

7325	Rod Standard and O/D 2nd and 3rd.....	98.50
7327	Rod Standard and O/D 1st and Reverse.....	98.00
351341-S	Wave Washer – Kick Down & Shift Rods .....	1.00



**7B331-A**

**7B331-B**

7B331-A	Kit Small Parts 55/57 S/T 55 O/D Snap Rings Washers Needle Bearing, L/D.....	49.95
7B331-B	Kit Small Parts 55/57 O/D 55 S/T Snap Rings Washers Needle Bearing, H/D .....	69.95
7378	Shaft S/T Gear Shift Lever Support.....	50.00
7B391	Gasket Governor Inspection Cover to Ext.Housing ..	1.75
*7398-A	Housing Manual Shifter 55/56.....	Call
*7398-B	Housing Manual Shifter 56/57 .....	Call



**7506-A**

**7506-B**

**7507**

**7509**

*7506-A	Shaft Clutch and Brake Pedal 55 .....	60.00
*7506-B	Shaft Clutch and Brake Pedal 56/57 .....	60.00
*7507	Clutch Bracket to Frame .....	25.00
*7509	Pivot Cup Clutch.....	90.00

**STANDARD TRANSMISSION**



**7513**



**7513-A**

7513	Dust Shield – Clutch Release Lever .....	25.35
The 7513 Dust Shield is Made with Tan Leather and Is Like the Original in Every way, Including the Wire Retaining Frame		
7513-A	Dust Shield – Clutch Release Lever Black Leather Replacement.....	21.95
*7515-A	Clutch Fork 55/56.....	Call
*7515-B	Clutch Fork 57 .....	Call
7517	Bushing Clutch Release Shaft, each .....	3.79
*7519-A	Pedal Assembly Clutch 55 S/T and O/D .....	Call
*7519-B	Pedal Assembly Clutch 56/57 S/T and O/D .....	Call
*7521	Rod Clutch Pedal to Idler Lever .....	Call

**STANDARD TRANSMISSION SECTION**



**7523**

**7527**

**7528**

7523	Spring Clutch Arm Return And Parking Brake Cable Return.....	3.50
*7524	Shaft Clutch Release.....	Call
*7525	Rod Clutch Pedal to Fork .....	Call
7527	Seal Clutch Pedal Rod Replacement.....	15.00
*7528	Bar Clutch Release Equalizer.....	50.00
*7537	Lever Assembly Clutch Pedal Assist Spring .....	30.00
*7539-A	Washer Clutch Release Equalizer Shaft.....	2.50
*7540	Retainer Clutch Pedal Assist Spring .....	Call
7542	Bracket Clutch Retracting Spring.....	9.95
7545	Spring Clutch Bar (AB7545A).....	7.50



**7548**



**7550**



**7540**

**7592**

7548	Bearing Assembly Clutch Release Includes Bearing 7580 and Hub 7561.....	36.80
7550	Clutch Disc 11" New.....	89.95
7550-T	Clutch Disc 10" New .....	81.95
7562-A	Spring Clutch Release Anti-Rattle .....	11.35

**Tech Note: All T-Birds had 11" Clutch  
STANDARD TRANSMISSION PARTS**



**7563-D**

**7563-F**

7563-D	Pressure Plate 11" Diaphragm Type-New .....	149.95
7563-F	Pressure Plate 11" Original Finger Type-New.....	149.95
7563-RS	Pressure Plate and Disc Set 11" Rebuilt.....	209.00
	Core Charge.....	50.00
7563-T	Pressure Plate 10" New.....	129.95
7A574-A	Spring Clutch Pedal Assist .....	6.50
MA7583A	Bumper Clutch Release Idler Shaft.....	3.00
*7587	Lock Clutch Release Idler Shaft .....	Call
*7592	Link Clutch Pedal Assist Spring .....	Call
7600	Bearing Clutch Pilot.....	9.72

**\*Prices & Quantity Subject to Change Without Notice**

# STANDARD TRANSMISSION PARTS



**A9AZ7A650A**

- A9AZ7A650A Overdrive Cable Reproduction..... 50.00
- A9AZ7A650K Overdrive Cable Knob..... 25.00

**\*Limited Availability**



**7A651-A**

**7A652**

- \*7A651-A Relay Transmission O/D 6V NOS or Used..... Call
- 7A651-AN Relay Assy. Overdrive Transmission 6V 55  
Reproduction like Original-Coming Soon ..... Call
- \*7A651-B Relay Transmission O/D 12V NOS or Used..... Call
- 7A651-BN Relay Assy. Overdrive Transmission 12V 56/57  
Reproduction like Original-Coming Soon ..... Call
- 7A652 Overdrive Kick down Switch..... 45.29
- \*7661-A Gasket Transmission Overdrive Housing to Adapter  
55 292 O/D (B5A7661A) ..... 3.50
- \*7661-B Gasket Transmission Overdrive Housing to Adapter  
56/57 312 Overdrive-Serviced in 7153-D Set Only... N/A
- 7693 Oil Seal Overdrive Solenoid ..... 8.50



**12128**



**12170**

- 12128 Floor Access Hole Plug 55/57 Oval Shape..... 11.50
- 12170 Gasket Transmission Governor Access Cover for  
7324 Plate ..... 1.50



**15517**



**15520**

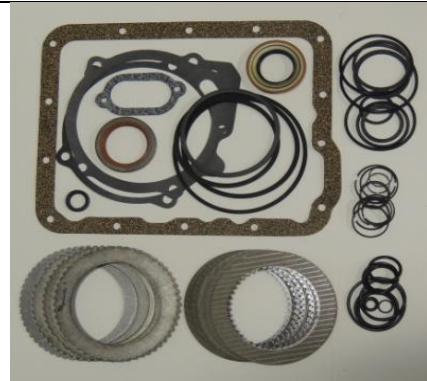
- 15517 Bracket Backup Switch 312 S/T and O/D T85..... 18.00
- 15520 Switch Backup Light S/T and O/D 55/57 ..... 11.49



**15540-K**

- 15540-K Bracket Set Backup Light S/T ..... 19.95
- \*372720-S Ball Trans Overdrive Shift Rail Lockout..... 1.50

# AUTOMATIC TRANSMISSION PARTS



**7000-K**

- 7000-K Transmission Overhaul Kit F/M 55/57..... 250.00
- \*7019-A Washer Input Shaft Thrust F/M..... Call



**7A020**

- 7A020 Dipstick Fordomatic Transmission ..... 25.95
- 7A032-A Cooling Lines F/M Transmission Set 56/57..... 26.95
- 7A032-ASS Same as Above, Stainless Steel..... 43.95
- 7A032-B Cooling Lines F/M Transmission Set 56/57..... 23.95
- 7A032-BSS Same as Above Stainless Steel..... 43.95
- 7A032-C Clip Holds Transmission Cooling Lines Together..... 1.50
- 7A034-A Bushing Extension Housing (55/57 F/M) (55-292 OD)  
(55-292 S/T) (57-292 S/T) ..... 12.40
- \*7A039-A Extension Housing F/M ..... Call
- 7052-A Seal Rear Output F/M Auto ..... 11.69
- \*7C053-A Governor Assembly with Counterweight ..... 90.00
- \*7C063-A Governor Assembly less Counterweight ..... 75.00
- \*7B066-A Plate Front Clutch Pressure F/M..... Call
- \*7B067-A Hub Transmission Front Clutch ..... 45.00
- \*7086-A Gasket Transmission Extension Housing F/M ..... 10.00
- \*7C096-B Washers Internal Primary Sun Gear Thrust ..... Call
- 7A098 Filter Transmission Fordomatic A/T ..... 22.19
- \*7A103-R Front Pump F/M Rebuilt Exchange..... Call
- Core Deposit ..... 150.00



**7A110-A**

**Made in the USA**

- 7A110-A Pointer Shifter Chrome F/M..... 119.95
- 7A110-B Screw Shifter Pointer..... 1.00
- \*7A117-A Lever Assembly Parking Pawl Toggle Operating F/M 30.00



**7A098**

**7A133**

- \*7A128-A Spring Main Control Rear Pump Check Valve F/M .. Call
- 7A133 Bushing and Washer Kit F/M Shift Lever ..... 9.78
- 7A136 Gasket Front Pump to Case F/M ..... 3.45
- \*7A149-R Rear Pump F/M Rebuilt Exchange ..... Call
- Core Deposit ..... 150.00
- 7153-A Gasket Set F/M Auto Medium Case  
Including Steel Rings and Seals ..... 99.95
- 7153-R Ring Kit Medium Case F/M..... Call
- \*7A162-R Band F/M Front Re-Lined Exchange ..... 99.00
- Core Deposit ..... 75.00
- \*7A163-A Pin Front Band Servo Piston Guide 56/57..... 10.00

H  
I  
L  
L  
S  
  
T  
H  
U  
N  
D  
E  
R  
B  
I  
R  
D  
  
C  
E  
N  
T  
E  
R

**AUTOMATIC TRANSMISSION PARTS**

- \* 7A166-A Washer Secondary Sun Gear Thrust- F/M..... Call
- \*7A168-B Sleeve Trans Clutch & Governor Oil ..... 70.00
- 7A176-R Band F/M Rear Re-Lined Exchange..... 99.00
- Core Deposit..... 75.00



**7A185-A                      7A185-C**

- 7A185-A Bell crank on Manifold F/M 55..... 89.95
- \*7A185-C Bell crank Assembly F/M Auto ..... Call



**7A185-D                      7A185-E**

- \*7A185-D Bell crank on Manifold F/M 57..... Call
- 7A185-E Bell crank Rear E-Bird Dual-4 ..... 150.00



**From Top to Bottom: 7A187-A, 7A187-B, 7A187-E**

- 7A187-A Kick down Rod Fordomatic 55 ..... 60.00
- 7A187-B Kick down Rod Fordomatic 56/57 ..... 58.35
- 7A187-E Kick down Rod E-Bird..... 60.00
- K7A187A Fordomatic Kickdown to Bell crank 57 (4-pcs).... 2.00**
- 7A191 Gasket Transmission Pan F/M Auto..... 5.75
- \*7A194 Transmission Pan F/M Used..... Call
- 7210-A Shifter Assembly F/M 55/57..... Call
- 7210-AA Shifter Upper Shaft F/M 55/57..... Call



**7213-B                      77619                      77635**

- 7213-B Ball Gear Shift Lever Fordomatic ..... 29.95
- 77619 Button Assembly F/M Shifter Complete Polished Stainless with Set Screw..... 20.90
- 77619-A Spring Inside F/M Shifter Button ..... 1.85
- 77635 Spring F/M Shift Lever Button ..... 1.45



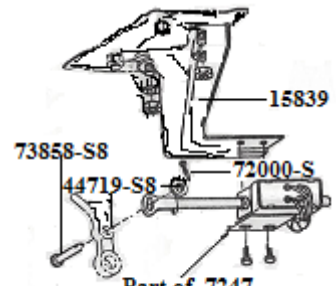
**7A228**

- 7A228 Tube Dipstick F/M with 7A229 Bracket..... 23.65
- 7A229 Bracket F/M Dipstick Tube ..... 5.17
- 7241 Pivot Pin F/M Shifter ..... 8.35

**AUTOMATIC TRANSMISSION PARTS**



**7247**



**Also See Page 87  
For Wiring Schematic**

**Part of 7247  
F/M Neutral Safety Switch**

- 7247 Neutral Safety Switch Modified, Allows you to Start in Neutral or Park ..... 109.95
- 7A248 Seal F/M Front Oil Pump ..... 19.65



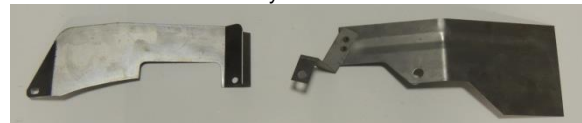
**7A256                      7A259                      7354**

- 7A256 Lever Transmission Selector Arm F/M..... 119.50
- 7B258 Bushing Front Pump F/M..... 9.35
- \*7A259 Lever Throttle Control F/M..... 50.00
- \*7A262-A Piston Transmission Front Clutch ..... Call
- 7269 Pawl F/M Shifter Lever ..... 20.95
- 7A295 Pin Park Brake Toggle Lever in Transmission ..... 15.85
- 7326 Rod Shifter to Transmission Fordomatic..... 65.00
- K7326 Kit F/M Shift Rod (7326) to Transmission ..... 2.60**
- 7339 Adjustment Sleeve Automatic..... 16.00
- 7354 Clevis F/M Transmission Throttle Shift Rod ..... 12.75
- \*7A360-B Cylinder Front Clutch..... Call
- \*7B368-A Washer Output Shaft Thrust Rear F/M ..... Call
- 7B391 Gasket Governor Inspection Cover to Extension Housing..... 1.65
- \*7A398-C Planetary Assembly..... Call



**7416-A                      7416-B**

- \*7416-A Plate A/T Shifter 55/56 ..... Call
- \*7416-B Plate A/T Shifter 57 ..... Call
- \*7A441 Parking Pawl-Automatic ..... Call
- 7489 Rod Release Fordomatic Shifter..... 5.22
- 7B498 Seal F/M Manual Control Lever ..... 3.80
- \*7A626 Drum and Secondary Sun Gear ..... Call



**7779-A                      7779-B**

- 7779-A Splash Shield Shift Linkage 55/56 Air Cooled Transmission..... 15.85
- 7779-B Splash Shield Shift Linkage 56/57 Water Cooled Transmission..... 20.95
- \*7A812-A Washer Converter Impeller Thrust F/M..... Call
- \*7902 Torque Converter F/M ..... Call



**7915-A**

- 7915-A Hub Only Air Cooled Converter ..... 135.00

H  
I  
L  
L  
  
T  
H  
U  
N  
D  
E  
R  
B  
I  
R  
D  
  
C  
E  
N  
T  
E  
R

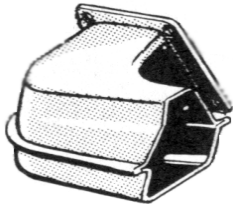
## AUTOMATIC TRANSMISSION PARTS

7916	Seal Converter Impeller Hub to Impeller 4 1/2" O/D Air Cooled Only .....	4.89
*7937-A	Converter Stator & Impeller Thrust (B5A7937A).....	45.00
*7937-B	Converter Stator & Impeller Thrust (B8A7937A).....	45.00
B5A7950A	Ring Gear Starter F/M Torque Converter Machined to Fit Properly.....	69.95
7963	Seal Converter Cover to Impeller .....	8.35
*7964-A	Bolt Ring Gear to Air Cooled Torque Converter .....	Call
*7964-B	Bolt Ring Gear to Water Cooled Torque Converter ..	Call
*7975	Bell Housing F/M Air Cooled.....	175.00
*7976	Bell Housing FM Liquid Cooled.....	175.00
*7980-A	Cover Bell Housing Lower 55.....	Call
7980-B	Cover Bell Housing Lower 56/57 .....	26.20



7985

7985	Cover Converter Housing .....	39.95
*7985-A	Cover Converter Housing Used Original .....	35.00



7990



7993

**Tech Tip: This item should be painted gloss black.**

*7990	Chute Air Cooled Transmission .....	Call
*7993	Screen Assembly for 7990 Chute.....	Call
15805	Lens Shift Indicator F/M.....	12.45



15A801

15839

15840

15A801	Shifter Light Assembly F/M .....	27.89
15839	Bracket Neutral Safety Switch.....	21.46
15840	Bracket Shift Indicator Lens Backing.....	19.95
*77138	Cover Governor Inspection F/M.....	15.00
77265	Seal Throttle Control Outer Lever .....	3.65
*77283-A	Lever Transmission Throttle Control Inner F/M .....	20.00
*77314-A	Spring Parking Pawl Toggle Return .....	6.00
*77469	Tube Oil Pressure Main Control.....	12.00
*77482	Clip Oil Pan Screen Retaining F/M.....	18.00
*77517-A	Snap Ring Rear Clutch Piston Spring .....	4.00
*77524-A	Washer Secondary Sun Gear Thrust Inner .....	5.00
*77545-A	Washer Primary to Secondary Sun Gear Thrust .....	8.00
*77577-B	Washer Trans Front Clutch Hub to Input Shaft Thrust .....	5.00
77619	Button Assembly F/M Shifter-Complete .....	20.90
77619-A	Spring inside F/M Shifter Button.....	1.85
*77624-A	Retainer Transmission Gear Shift Lever Shaft .....	25.00
77635	Spring F/M Shift Lever Button .....	1.45
*77881-A	Distributor Transmission Clutch & Governor Oil .....	4.75
*77883-A	Oil Seal Trans Clutch & Governor Oil Distributor.....	4.00
*77884-A	Tube Transmission Clutch & Governor Oil .....	3.75

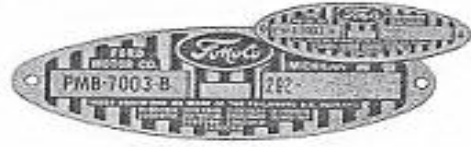
## TRANS OUTPUT SEAL / TRANS INFO



77651

77651	Boot Rubber Transmission Output Supplied with Fiber Washer Like Original.....	18.39
-------	--	-------

## TRANSMISSION INFORMATION



**Automatic Transmission Identification Plate  
Name Plate on Left Hand Side Of Transmission  
Thunderbirds used a Medium Case Transmission**

**Length of Case 10-7/32"**

**1955 292 ID Tag# PMB-C**

**1956 312 ID Tag# PAW-C Aluminum Impeller**

**1956 312 ID Tag# PAW-F Steel Impeller**

**1957 312 4V ID Tag# PBA-C**

**1957 312 Dual-4 and S/C ID Tag# PBA-E**

### Refill Capacities

#### Automatic Transmission

1955.....20.5 pt.

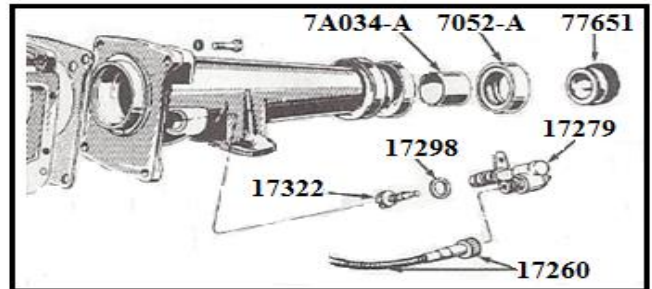
1956.....20.5 pt.

1957.....21.5 pt.

**Use Type F or Type FA Automatic Transmission Fluid Only**



## 7210 STANDARD TRANSMISSION SHIFTER-LATE



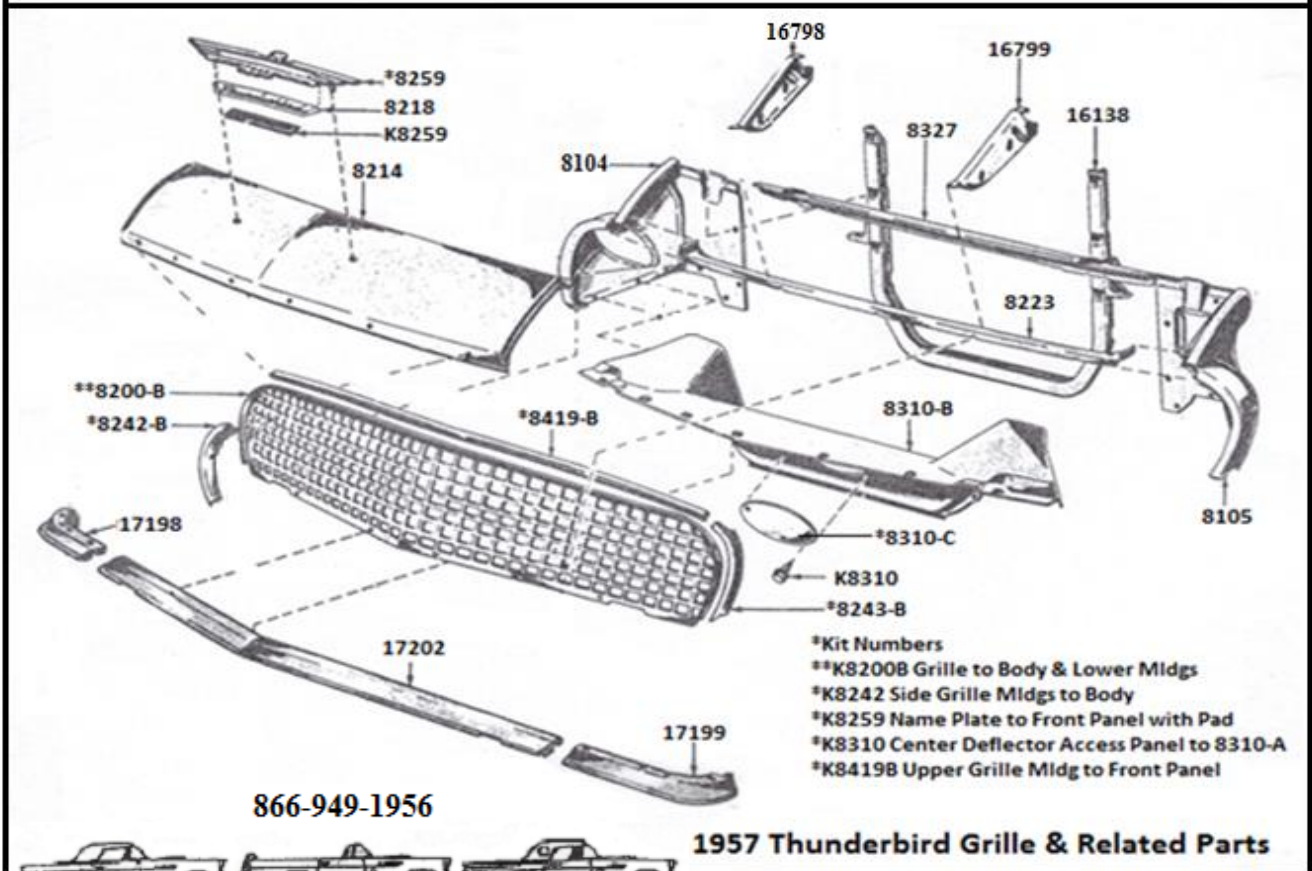
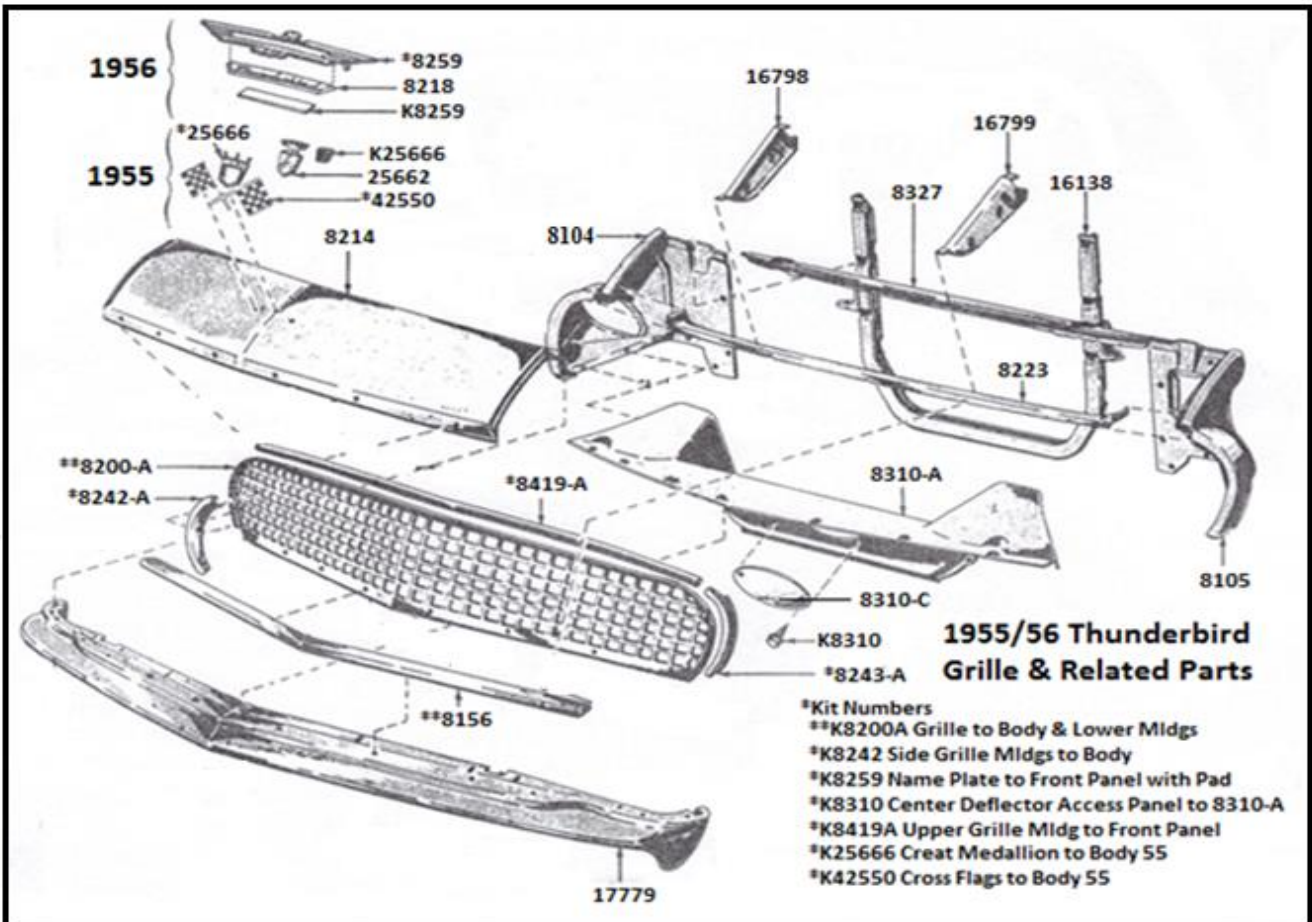
### SPEEDOMETER CABLE, GEAR AND ANGLE DRIVE

**All 1955/56 S/T, F/M & 55 O/D Transmissions Used  
the 17279 Angle Drive**

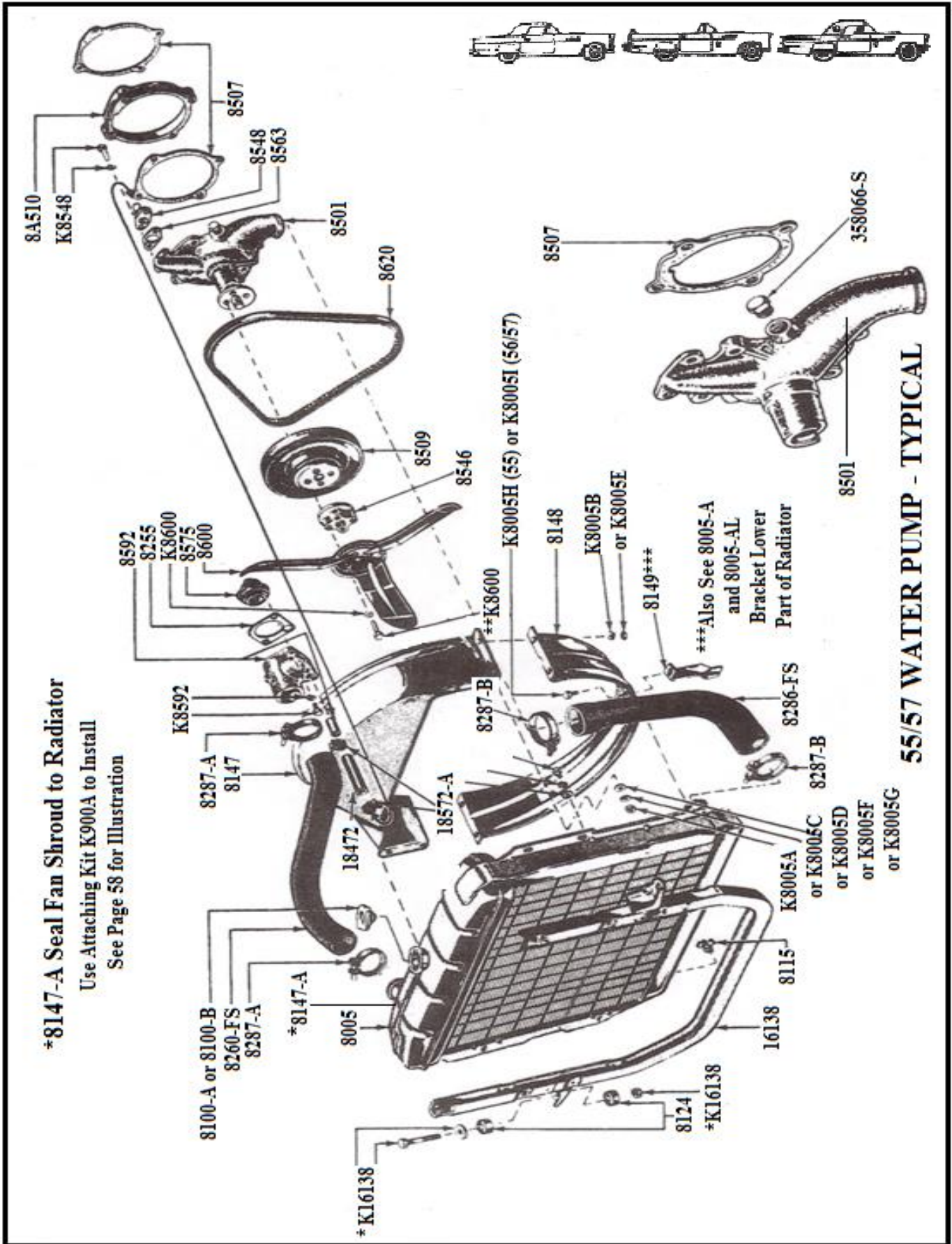
**1956 Overdrive & 1957's Transmissions Did not use  
the 17279 Angle Drive**

**\*Limited Availability**

**Prices Subject to Change without Notice**







**\*8147-A Seal Fan Shroud to Radiator**

Use Attaching Kit K900A to Install

See Page 58 for Illustration

**55/57 WATER PUMP - TYPICAL**

H  
I  
L  
L  
S  
  
T  
H  
U  
N  
D  
E  
R  
B  
I  
R  
D  
  
C  
E  
N  
T  
E  
R

**COOLING / RADIATOR**



	<b>8005-A</b>	<b>8005-AL</b>	<b>8149</b>	
8005-A	Bracket with Nut and Bolt on Lower Radiator to Attach Fan Shroud Support Bracket (8149) .....			6.25
8005-AL	Bracket similar to 8005-A Used Late 57 .....			6.25
8005-B	Overflow Tube Radiator .....			15.15
8005-BSS	Overflow Tube Radiator Stainless Steel .....			19.25

**Tech Tip: 8005-B should be painted gloss black.**

**RADIATOR INSTALL KIT**

8005-KA	Kit Includes (1-8005A) (2-8115) (1-8147A) (1-8149) (2-359279S) (1-K900A) for Air Cooled Trans .....			34.95
8005-KB	Kit Includes (1-8005AL) (2-8115) (1-8147A) (1-8149) (2-359279S) (1-K900A) for Liquid Cooled Trans .....			34.95



**8005-C**

**Tech Tip: This item should be painted gloss black.**

8005-AC	Radiator Heavy Duty 4-Row without Cooler Lines.....	479.00
8005-WC	Radiator Heavy Duty 4-Row with Cooler Lines.....	479.00
8005-HEAC	Radiator High-Efficiency without Cooler Lines.....	549.00
8005-HEWCR	Radiator High-Efficiency with Cooler Lines.....	549.00
8005-OAC	Radiator Optima "The Best" without Cooler Lines .....	599.00
8005-OWC	Radiator Optima "The Best" with Cooler Lines .....	599.00
8005-ALUM	Radiator Aluminum with Cooler Lines .....	489.00

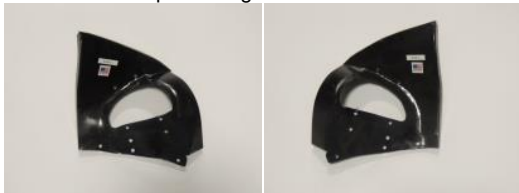
**Note: Radiators do not come with Drain Cock, Brackets, Cap or Cooler Fittings.**

359279-S	Fitting Radiator to Cooler Lines, 2 Required.....	2.95
8005-RK	Radiator Coolant Overflow Tank .....	39.50

**Refill Capacities-Approximate Cooling System with Heater**  
**1955/56/57-----21 qt**



	<b>8100-B</b>	<b>8115</b>	<b>8255</b>	
8100-A	Radiator Cap Replacement.....			9.99
8100-B	Radiator Cap like Original .....			31.40



	<b>8104-R</b>	<b>8105-L</b>	
8104-R	Deflector Radiator Side Air Metal RH.....		299.00
8105-L	Deflector Radiator Side Air Metal LH.....		299.00

**Made in the USA**

8115	Radiator Drain Cock .....	3.85
*8115-A	Radiator Drain Cock Ford Original .....	10.00
8124	Pad Radiator Support 2 per Package.....	6.69

**\*Limited Availability**

**COOLING / GRILLE / NOSE PANEL**



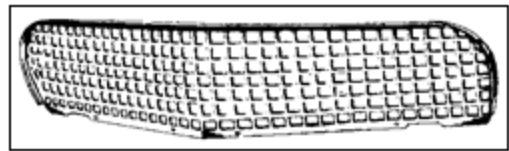
	<b>8147</b>	<b>8148</b>	
	<b>Tech Tip: This item should be painted gloss black.</b>		
8147	Panel Fan Shroud Upper Reproduction .....		99.95
8148	Panel Fan Shroud Lower Reproduction .....		69.95



**8147-A**

8147-A	Seal Fan Shroud to Radiator Correct Marks .....	3.65
K900A	Kit Staples to Install 8147-A Seal (Package of 12) ..	3.75

8149	Bracket Fan Shroud Support .....	10.99
8156	Molding Radiator Grille Lower 55/56 Reproduction.....	79.95



**8200-B**

8200-A	Grille 55/56 Reproduction.....	349.95
8200-AS	Grille 55/56 Stainless .....	319.95
K8200-A	Kit Grille Body and Lower Molding 55/56 .....	11.75
8200-B	Grille 57 Reproduction.....	349.95
8200-BS	Grille 57 Stainless .....	319.95
K8200-B	Kit Grille Body and Lower Molding 57 .....	16.95



**8214**

8214	Nose Panel Reproduction Steel.....	479.00
------	------------------------------------	--------



**8218**

**8259**

8218	Nameplate Upper Panel 56/57 .....	21.35
------	-----------------------------------	-------



**8223**

8223	Panel Upper Grille Reinforcement Steel .....	129.95
8242-A	Grille Molding RH 55/56 .....	39.90
8242-B	Grille Molding RH 57 .....	52.50
8243-A	Grille Molding LH 55/56 .....	39.90
8243-B	Grille Molding LH 57 .....	52.50
K8242	Kit Side Grille Moldings to Body 55/57 .....	2.80
8255	Gasket Thermostat .....	1.00
8259	Ornament Upper Panel.....	34.75
K8259	Kit Nameplate 8259 to Front Panel.....	1.25

H  
I  
L  
L  
S  
  
T  
H  
U  
N  
D  
E  
R  
B  
I  
R  
D  
  
C  
E  
N  
T  
E  
R

COOLING



8260-FS                      8286-FS

8260	Radiator Hose Upper No Logos .....	13.95
8260-FS	Radiator Hose Upper Molded like Original with FOMOCO .....	21.75
8286-BR	Radiator Hose Lower No Logos .....	12.95
8286-FS	Radiator Hose Lower Molded like Original with FOMOCO .....	21.75

**Radiator Hoses and Clamp Kit**  
(You save \$1.00)

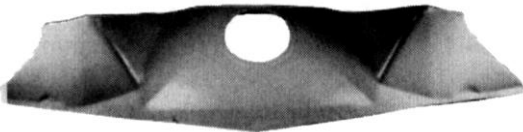
**Includes:** Upper and Lower Radiator Hoses  
Upper and Lower Radiator Hose Clamps

<b>8286-AK</b>	With Original Style Hoses .....	<b>48.80</b>
<b>8286-BK</b>	With Replacement Hoses .....	<b>31.70</b>



8287-A                      8287-B

8287-A	Clamp Radiator Hose Upper .....	1.50
8287-B	Clamp Radiator Hose Lower .....	1.50
8287-K	Radiator Hose Clamp Kit-Upper & Lower Radiator Hose Clamps-Includes (2-8287A & 2-8287B) 55/57 .....	5.60



8310

**Tech Tip:** This item should be painted gloss black.

8310-A	Gravel Shield Lower 55/56 .....	Call
8310-B	Gravel Shield Lower 57 .....	Call
8310-C	Access Hole Cover Lower Air Deflector Steel .....	5.70

16799                      16798



8327

8327	Deflector Radiator Center Air .....	Call
8419-A	Molding Grille Upper 55/56 Reproduction .....	59.95
K8419-A	Kit Upper Grille Molding to Body 55/56 .....	4.75
8419-B	Molding Grille Upper 57 Reproduction .....	59.95
K8419-B	Kit Upper Grille Molding to Body 57 .....	5.75

COOLING



8501-A

**Tech Tip:** This item should be painted engine color.

8501-A	Water Pump New with Gaskets .....	99.45
8501-HO	Water Pump High Output Modified for Higher RPM Flow. There are Vanes Added to the Back of the Impeller of a Standard T-Bird Water Pump. Designed to Push More Water. ....	151.50
8501-N	Water Pump, New with ECE-8505-B Stamping, Does not Meet Concourse Rules, Does Not have the C/F Cleveland Foundry Stamped into the Water Pump Housing .....	129.95
8501-R	Water Pump Rebuilt Original with ECE-8505-B Stamping And Cleveland Foundry Stamping	
	Concourse Correct .....	Call
	Core Charge .....	75.00



8501-B                      8A510

8501-B	Baffle Water Pump Stainless Steel .....	20.95
	*Helps prevent overheating by returning the Cooling system to its design efficiency. The baffle is Inserted between the water pump spacer and in front of Timing case cover.	
8501-BK	Baffle Kit-Water Pump-Includes 1-8501B & 3-8507 .	23.00
8507	Gasket Water Pump .....	1.10



8509-A

8509-A	Pulley Water Pump Original Type 55/56 Will work on '57 .....	99.95
*8509-B	Pulley Water Pump 55/56 Used Original, Use with 3-Blade Fan .....	Call
*8509-C	Pulley Water Pump 57 Used Original .....	Call
8509-SP	Pulley Water Pump 1" Smaller Diameter for Better Cooling .....	99.95
*8A510	Spacer Water Pump to Timing Cover Cast Iron .....	40.00



8546                      8548                      8563

8546	Spacer Pulley to Fan .....	14.94
K8600	Kit Fan to Water Pump .....	2.25
8548	Tube Water Bypass Front .....	9.31
8563	Gasket Water Bypass Tube .....	0.69

H  
I  
L  
L  
S  
  
T  
H  
U  
N  
D  
E  
R  
B  
I  
R  
D  
  
C  
E  
N  
T  
E  
R

**COOLING**



- 8575-A Thermostat Water 160 Degree..... 12.75
- 8575-B Thermostat Water 180 Degree..... 14.95
- 8575-C Thermostat Water 170 Degree with Large Opening (Includes 8255-8563 Gaskets)..... 19.90



- 8592 Thermostat Housing ..... 51.95

**Paint 8592 Engine Color**

- K8592 Kit Water Outlet Connector 8592 ..... 2.15
- 8600-A Fan Clutch Thermal with 6-Blade Fan, Use with Air Conditioning Kit or Where Extra Fan Capacity is needed. Not Included in Air Conditioner Kit. .... 117.65



**8600-B**      **8600-E**  
**Engine Cooling Fans on all 1955 until June 1956**  
**Were Three Blade Fans-Painted Black unless the**  
**Car was equipped with a Dress-up Kit.**  
**From June 1956 until end of production of the 1957**  
**Models the Fan had Four Blades and Painted Black.**

- 8600-B Fan 6-Blade 18" without Thermal Clutch ..... 50.00



- 8600C-12V**
- 8600C-12V Electric Fan Kit – Mounts in Front of Radiator. High Output 16" Blade. Kit includes Adjustable Thermostat Original Style Wiring Harness, Switch, and Installation Instructions ..... 254.50
- 8600C-6V Electric Fan Kit 6V ..... 254.50

**PRICES SUBJECT TO CHANGE WITHOUT NOTICE**

**COOLING**



- 8600-D**
- 8600-D Bracket Kit – Allows Use of our Electric Fan Kits With Air Conditioning ..... 6.25
- \*8600-E Fan Blade 55, Early 56, 3 Blade, Black..... 150.00
- \*8600-F Fan Blade 55, Early 56, 3 Blade, Chrome..... 350.00
- \*8600-G Fan Blade Late 56, 57, 4 Blade, Black..... 150.00
- 8600-H Fan Blade 6 Blade 17" ..... 50.00
- 8601 Reinforcement Plate – 3 Blade Fan – 55/56 ..... 19.98
- K8600 Kit Fan to Water Pump 8-pcs..... 2.50



- 8620-C**
- 8620-A Belt – Concourse – Fan – 55/56 with 3 Blade Fan ... 19.95
- 8620-B Belt – Concourse – Fan – 56/57 with 4 Blade Fan ... 19.95
- 8620-BL Belt – Concourse – Fan – Late 57 without Notches With 4 Blade Fan..... 19.95
- 8620-C Belt – Concourse – Power Steering 55 and Early 56 19.95
- 8620-D Belt – Concourse – Power Steering – 56 and 57 ..... 19.95
- 8620-DL Belt – Concourse – Power Steering – Late 57 Without Notches ..... 19.95
- 8620-R Belt, Fan or Power Steering – Replacement ..... 14.95
- 8620-9415 Belt for Replacement A/C 1/2" X 41-7/8"..... 24.90
- 8620-9455 Belt for Replacement A/C 1/2" X 45-7/8"..... 24.90
- 8620-9465 Belt for Replacement A/C 1/2" X 46-7/8"..... 24.90
- 8620-9470 Belt for Replacement A/C 1/2" X 47-3/8"..... 24.90

**SUPERCHARGER BELTS**  
**With Correct Numbers**

- ECJ6556-B Belt Supercharger Blower (2) for S/T, (1) for A/T ... 89.00
- ECJ8577-A Belt Power Steering 312 with Supercharger ..... 89.00
- ECJ8577-A1 Belt Generator/Fan 312 with Supercharger..... 79.00



- 8725**      **8725-A**
- 8725 Clamp Rectangle for 18489 Duct..... 5.99
- 8725-A Clamp Round, can be used on 18584 Duct ..... 5.99

Square Heater Duct Clamps-Cad-Zinc  
 Round Heater Duct Clamps on some 55/56-Cad Zinc

**N.O.S. and Used Parts Available**

**Give us a Call at 866-949-1956**

**Our On-Line Ordering Catalog**

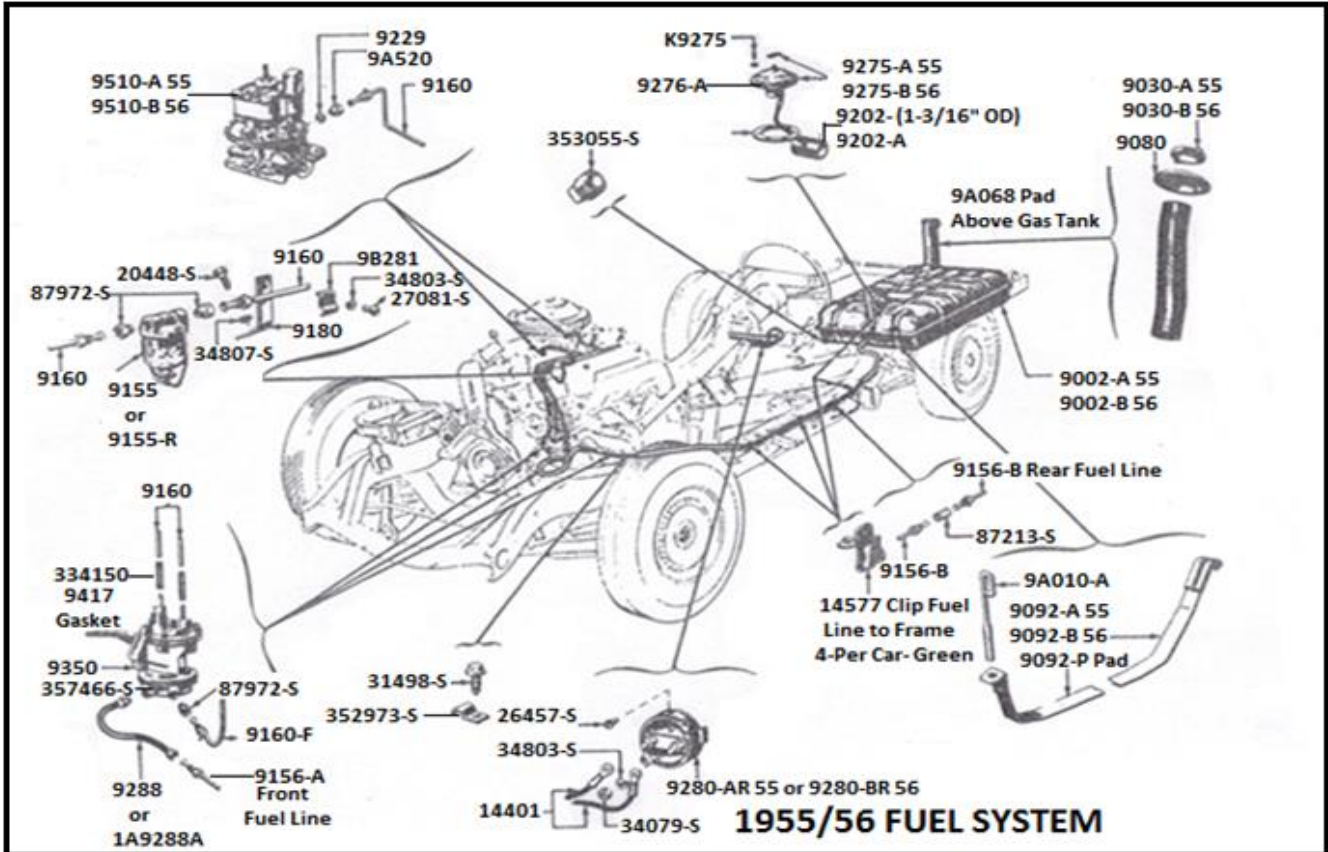
**Will Feature NOS & USED Parts That**

**Are for Sale and Specials**

H  
I  
L  
L  
S  
  
T  
H  
U  
N  
D  
E  
R  
B  
I  
R  
D  
  
C  
E  
N  
T  
E  
R



**HILL'S THUNDERBIRD CENTER 866-949-1956**



When using 9510-H Carburetor-9520 Fuel Line is Required

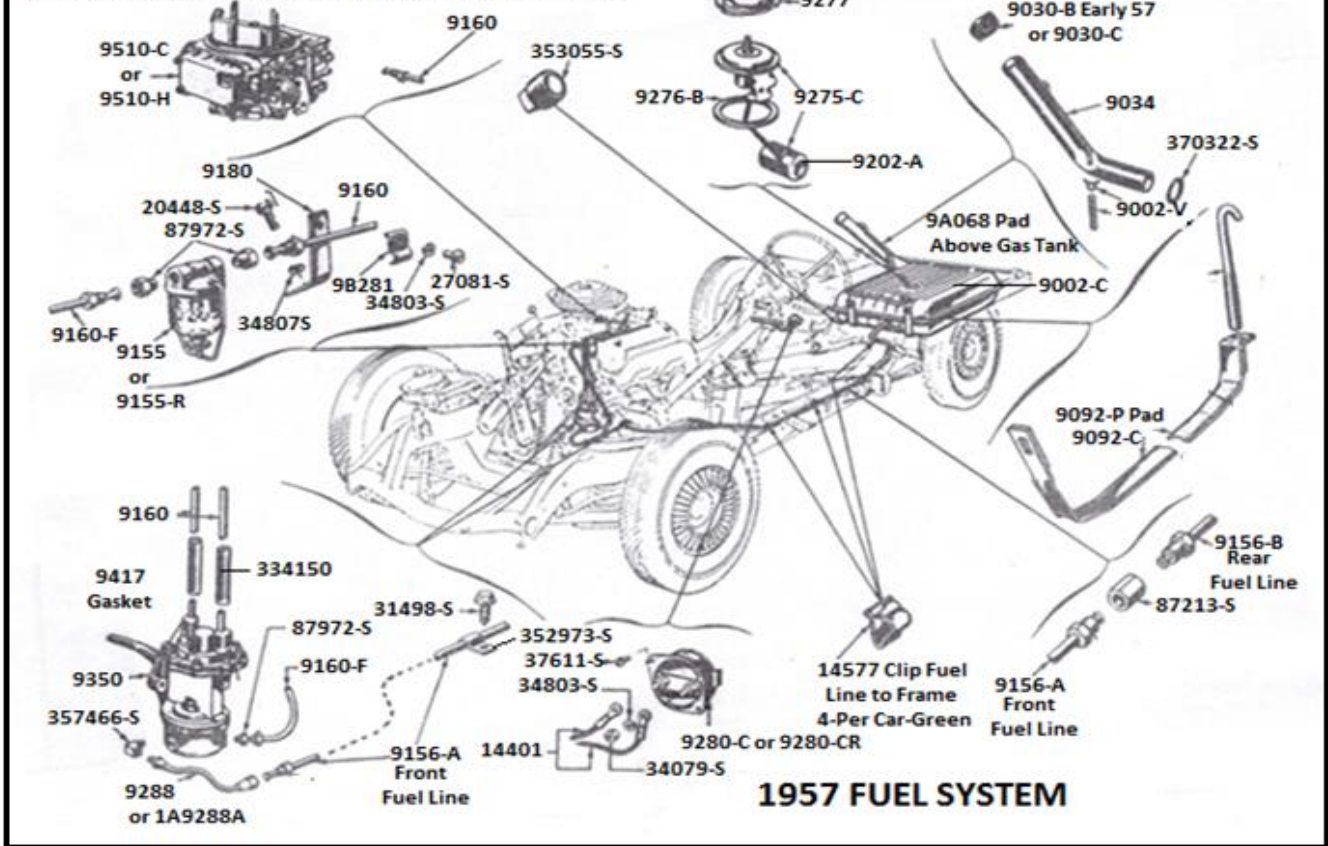
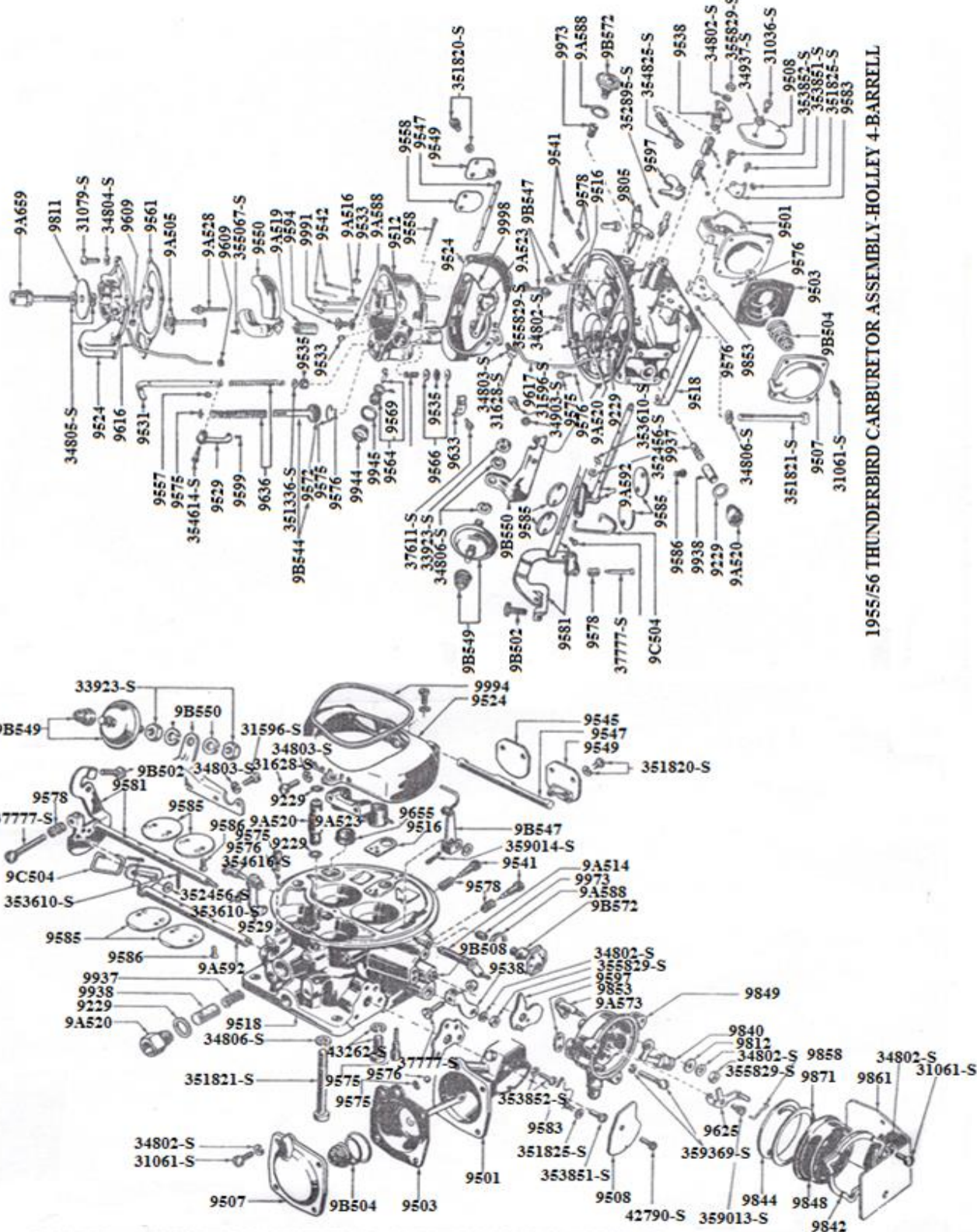


ILLUSTRATION 55/56 CARBURETOR

H  
I  
L  
L  
S  
  
T  
H  
U  
N  
D  
E  
R  
B  
I  
R  
D  
  
C  
E  
N  
T  
E  
R

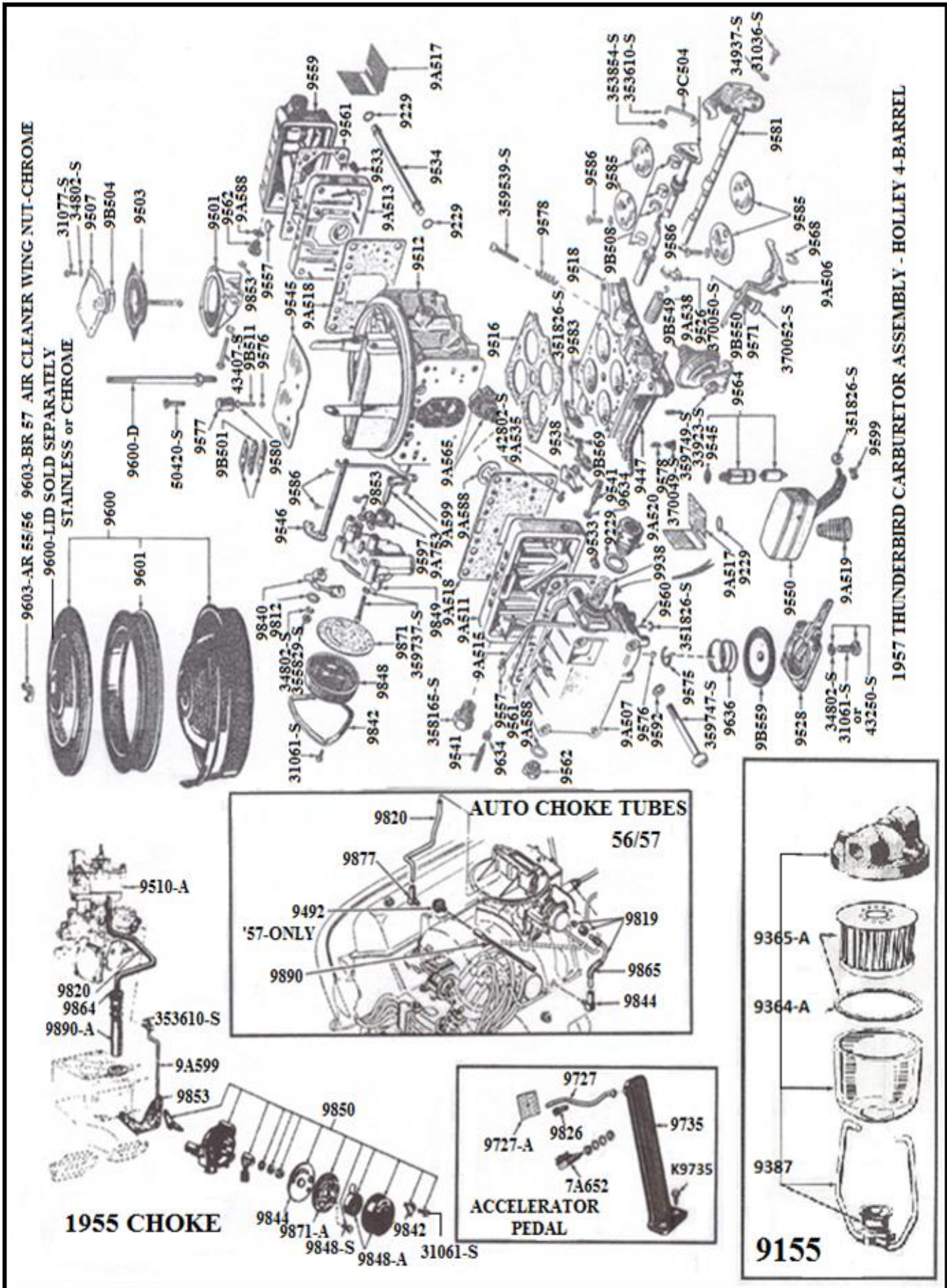


1955/56 THUNDERBIRD CARBURETOR ASSEMBLY-HOLLEY 4-BARRELL

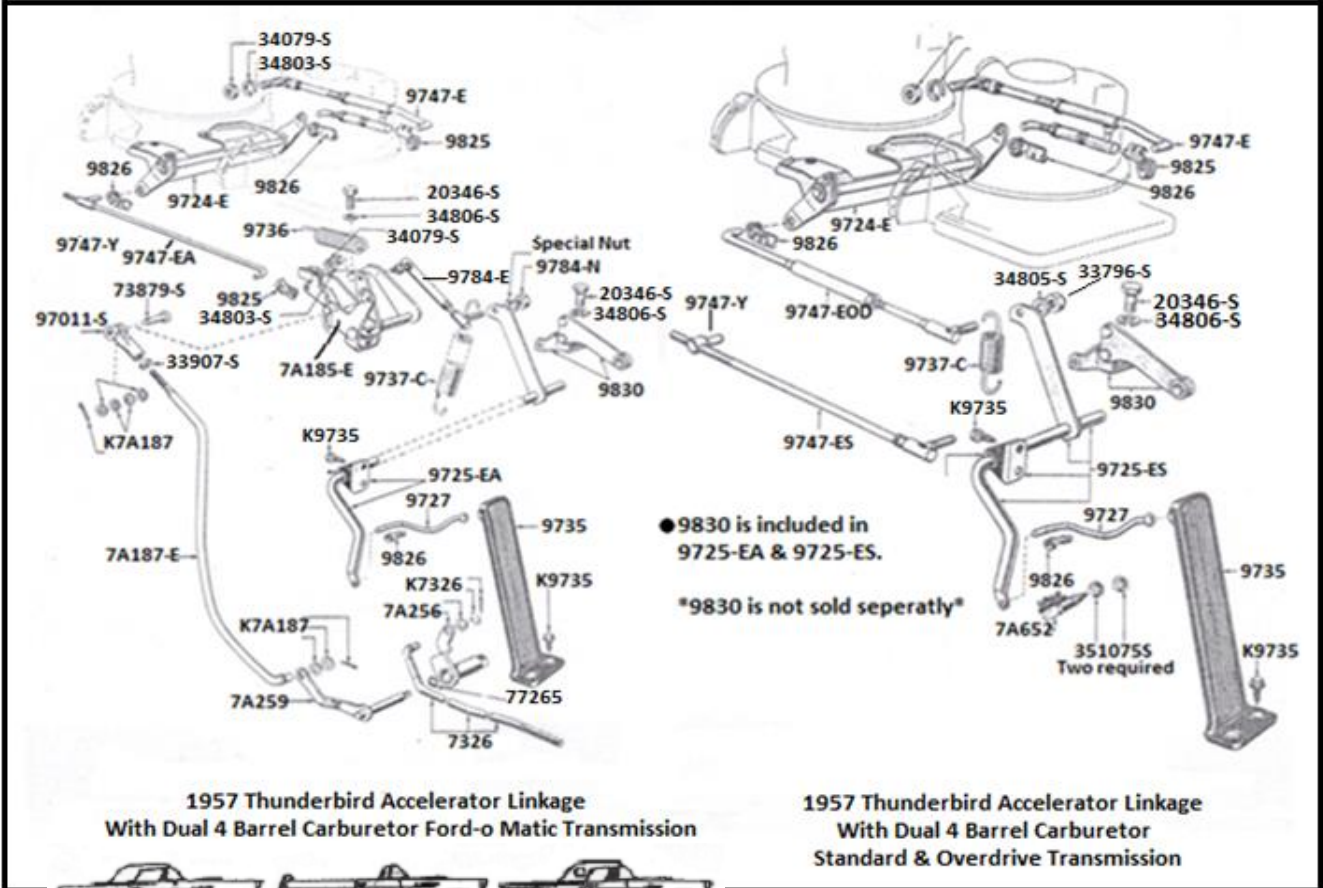
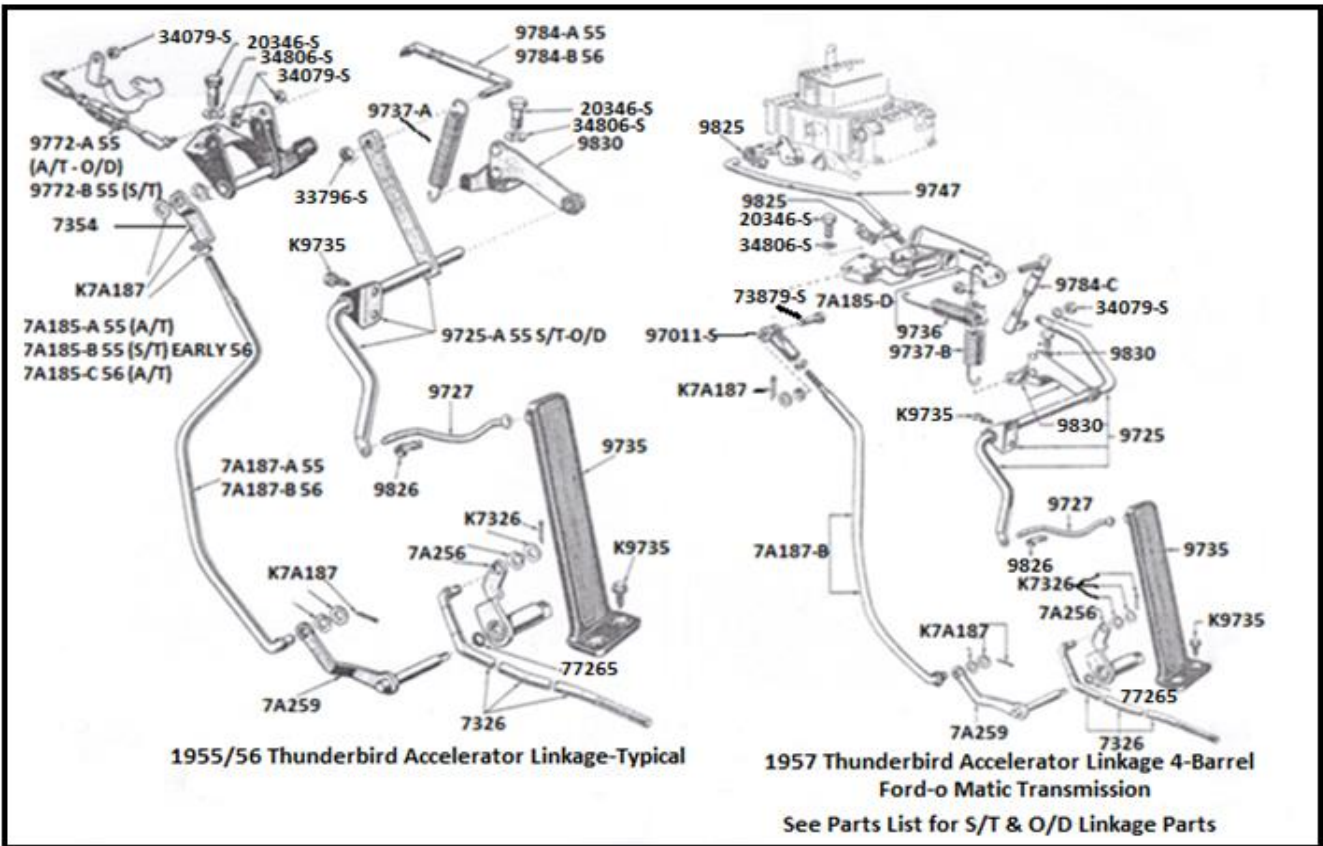
1955/56 THUNDERBIRD CARBURETOR ASSEMBLY-HOLLEY 4-BARRELL



HILL'S THUNDERBIRD CENTER 866-949-1956



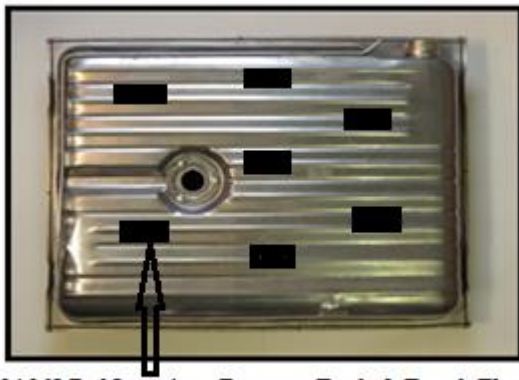
HILL'S THUNDERBIRD CENTER





**FUEL SYSTEM**

9002-57 Gas Tank



9A068 Pad Locations Between Tank & Trunk Floor

9002-55	Gas Tank 1955 .....	269.50
9002-56	Gas Tank 1956 .....	269.50
9002-57	Gas Tank 1957 .....	269.50
9002-55T	Gas Tank 1955 Made in Taiwan .....	209.00
9002-56T	Gas Tank 1956 Made in Taiwan .....	209.00
9002-57T	Gas Tank 1957 Made in Taiwan .....	209.00

**GAS TANK INSTALL KIT**

Includes: Gas Tank, Tank Straps, Strap Bolts, Tank Pads  
Tank Strap Liner, Filler Neck Grommet for 55/56

9002-K55	1955 Gas Tank Kit Use with 9002-55 .....	309.95
9002-K56	1956 Gas Tank Kit Use with 9002-56 .....	309.95
9002-K57	1957 Gas Tank Kit-Includes (9277 & 370322S) .....	299.95

Does not Include 9034 Filler Neck Use with 9002-57 ....

**Refill Capacities-Fuel Tank**  
**1955-56.....17 gal**  
**1957.....19 gal**



9002-V

9002-V	Fuel Tank Vent Hose and Clamps 57 .....	2.10
--------	---	------



9A010-A                      9A010-B

9A010-A	Bolt Fuel Tank Strap 55/56 Plated .....	5.75
9A010-B	Bolt Fuel Tank Strap 57 Plated .....	4.75



9030-A                      9030-B                      9030-C

9030-A	Gas Cap like Original 55 Recessed Type .....	22.95
9030-B	Gas Cap like Original 56 and Early 57 .....	22.95
9030-C	Gas Cap like Original Late 57 .....	22.95

Gas Caps Qualifies for CTCI Excellence in Authenticity



9034

9034	Gas Fill Tube 57 .....	150.00
370322-S	O-Ring Fuel Tank Filler Neck 57-Only .....	2.00

**FUEL SYSTEM**



9034-A                      9034-B

9034-A	Strap Solders to Gas Filler Neck 1957 .....	11.00
9034-B	Bracket Fuel Fill Tube to Body 57 .....	10.45



9092-P

9A068

9080

9A068	Pad between Tank and Trunk, Quantity: 6 to 8 Pads were used-55/57 .....	1.00
9080	Grommet Gas Filler Neck Tube 55/56 .....	7.30



9092

**Tech Tip: This item should be painted gloss black.**

9092-A	Strap Fuel Tank Retainer 1955 .....	13.30
9092-B	Strap Fuel Tank Retainer 1956 .....	13.30
9092-C	Strap Fuel Tank Retainer 1957 .....	13.30
9092-P	Pad between Tank and Retaining Straps Pair .....	3.28
9104	Oil Return Line from Supercharger SS .....	39.95
9105	Line Oil Supply Pressure 57 S/C .....	35.00



9155 or 9155-R

9155-C

See part 87972-S for brass inlet and outlet fittings.

9155	Fuel Filter Assembly AC Dome Top Reproduction Short Bowl .....	70.00
9155-B	1956 Fuel Filter Assembly was stamped with P/N ECT9155A .....	550.00
9155-C	1957 Fuel Filter Assembly was stamped with P/N ECT9155AB .....	500.00
9155-D	Canister Only Replace for Original E-Type Filter .....	250.00
9155-R	Fuel Filter Assembly AC Flat Top Replace Short Bowl .....	45.00
9156-A	Fuel Line Front Half on Frame 55/57 .....	38.50
9156-ASS	Fuel Line Front Half on Frame 55/57 SS .....	57.65
9156-B	Fuel Line Rear Half on Frame 55/57 .....	38.50
9156-BSS	Fuel Line Rear Half on Frame 55/57 SS .....	57.65
14577	Clip Fuel Line to Frame like Original Green Color 4- Used Per Car .....	4.50
87213-S	Union Fuel Line on Side of Frame .....	3.80

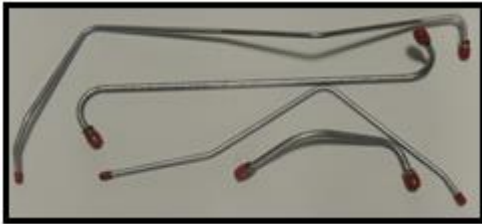


9156-E

9156-E	Clips Fuel and Vacuum Line Original Pair .....	3.10
--------	--	------

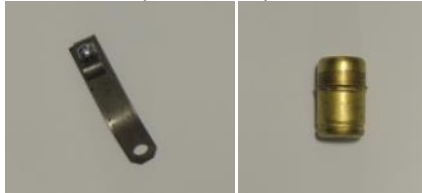
H  
I  
L  
L  
S  
  
T  
H  
U  
N  
D  
E  
R  
B  
I  
R  
D  
  
C  
E  
N  
T  
E  
R

**FUEL SYSTEM**



**9160-C**

9160-A	Fuel and Vacuum Lines 4 Pieces Set 55.....	26.15
9160-ASS	Fuel and Vacuum Lines 4 Pieces Set 55 SS.....	38.90
9160-B	Fuel and Vacuum Lines 4 Pieces Set 56.....	26.15
9160-BSS	Fuel and Vacuum Lines 4 Pieces Set 56 SS.....	38.90
9160-C	Fuel and Vacuum Lines 4 Pieces Set 57.....	26.15
9160-CSS	Fuel and Vacuum Lines 4 Pieces Set 57 SS.....	38.90
9160-D	Fuel and Vacuum Lines Dual 4 57 6 Pieces.....	31.15
9160-DSS	Fuel and Vacuum Lines Dual 4 57 6 Pieces SS.....	46.75
9160-E	Fuel Vacuum and Oil Lines Supercharged.....	44.70
9160-ESS	Fuel Vacuum and Oil Lines Supercharged SS.....	66.90
9160-F	Fuel Line Fuel Pump to Filter.....	8.35
9160-FSS	Fuel Line Fuel Pump to Filter SS.....	15.50
9160-G	Fuel Line Fuel Filter to Carburetor 55.....	8.35
9160-GSS	Fuel Line Fuel Filter to Carburetor 55 SS.....	15.50
9160-H	Fuel Line Fuel Filter to Carburetor 56.....	8.35
9160-HSS	Fuel Line Fuel Filter to Carburetor 56 SS.....	15.50
9160-I	Fuel Line Fuel Filter to Carburetor 57.....	8.35
9160-ISS	Fuel Line Fuel Filter to Carburetor 57 SS.....	15.50
9171	Hose Clamp Fuel Tank Vent Hose 57.....	0.30
334150	Hose Fuel Pump Vacuum 2-pieces.....	0.60

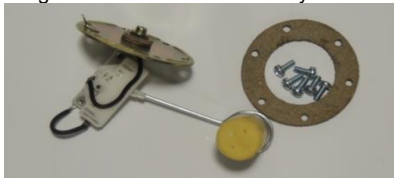


**9180**

**9202**

**Tech Tip: 9180 should be painted engine color.**

9180	Bracket Assembly Fuel Filter Includes: 9B281 and Correct Screw and Washer.....	6.80
9202	Float Fuel Sending Unit 1-3/16" Diameter.....	7.50
9202-A	Float Fuel Sending Unit.....	15.00
9229	Gasket Cap Fuel Inlet Nylon.....	1.00
9229-A	O-Ring Carburetor Tube 4V Holley 57.....	1.00



**9275-B**

9275-A	Fuel Sending Unit with Gasket 6V 55.....	57.95
9275-B	Fuel Sending Unit with Gasket 12V 56.....	57.95
K9275	Kit Fuel Sending Unit to Tank 55/56.....	2.00
9275-C	Fuel Sending Unit with Gasket 57.....	71.95
9276-A	Gasket Fuel Sending Unit 55/56.....	1.75
9276-B	Gasket Fuel Sending Unit 57.....	1.85
9277	Retaining Ring 57 Fuel Sending Unit.....	9.95
9278	Oil Pressure Sender Unit.....	8.75
14322-AR	Oil Sender Wire 55.....	6.65
14322-BR	Oil Sender Wire 56/57.....	6.85



**9280-B**

<b>9280-B</b>	<b>Fuel Gauge and Sending Unit Set Replace Dash Looks Original 55: 12V, 56: 12V.....</b>	<b>149.95</b>
---------------	--	---------------

**FUEL SYSTEM**

9280-AR	Fuel Gauge Rebuilt 6V 55.....	109.95
9280-BR	Fuel Gauge Rebuilt 12V 56.....	109.95
9280-CR	Fuel Gauge Rebuilt 12V 57.....	109.95
	Core Charge 9280-AR-BR-CR.....	100.00

**55 Fuel Gauge has 11-12 ohms resistance.56 has 38-40 ohms resistance & 57 has 13-14 ohm resistance.  
Measured from Terminal to Terminal**

9280-DR	Dropping Resistor-Drops 12V to 6V-Use when converting 6V to a 12V System does Fuel Gauge one required.....	29.95
9B281	Clip Only for 9180 Fuel Filter Bracket.....	2.63



**9288**

9288	Flex Fuel Line Connects Pump to Steel Line.....	8.95
*1A9288A	Flex Fuel Line Connects Pump to Steel Line Ford Original 1A9288-A.....	Call
*9288-B	Hose Fuel Return Supercharger.....	Call



**9350**

**9350-E12**

9350	Fuel Pump New, Comes with 9417 Gasket.....	89.95
9350-R	Fuel Pump Rebuilt Like Original with AC Markings and Plated.....	Call
9350-E6	Fuel Pump Electric Kit, 6V Includes: Bracket, Switch, Wiring and Instructions....	169.00
9350-E12	Fuel Pump Electric Kit 12V, Same as Above.....	159.00
9364-A	Gasket Fuel Filter Bowl comes with 9365-A.....	1.98
9364-B	Gasket Fuel Filter Bowl "E" Filter.....	3.00
9387	Bail Assembly Fuel Pump Filer Bowl.....	Call



**9365-A**

**9365-E**

9365-A	Filter Paper Type with Gasket.....	6.00
9365-E	Filter Dual 4 Trash Can.....	9.60
9417	Gasket Fuel Pump Mounting.....	1.97



**9424**

**Firing Order was not on 1957 312 Manifolds until Feb/Mar 1957.  
Most February Manifolds did not have the Firing Order.  
All 1957 Manifolds had the Firing Order and Intake Port  
Numbers after February 1957.**

*9424-A	Intake Manifold Used 55 ECB9425B.....	Call
*9424-B	Intake Manifold Used 56 ECZ9425A.....	Call
*9424-C	Intake Manifold Used 57 ECG9425H 2V.....	Call
*9424-D	Intake Manifold Used 57 ECZ8425-B without Firing Order Numbers, Firing Order was not on 57s until Feb/Mar 57.....	Call
*9424-DF	Intake Manifold Used 57 ECZ9425B With Firing Order Number.....	Call
*9424-E	Intake Manifold 56 Dual-4 EDB9425C.....	Call
*9424-EE	Intake Manifold E-Bird 57 Dual-4 ECG9424D.....	Call
*9424-F	Intake Manifold F-Bird Supercharger.....	Call

Date Code for 57 Dual-4 Intake were just aft of the Thermostat Housing		
<b>All New Aluminum Intake</b>		
9424-57AL	Intake Manifold Aluminum 57 4V.....	575.00

**FUEL & CARBURETOR SYSTEM**



**9A427**

**Tech Tip: This item should be natural cast iron or Painted with Cast Blast (high heat exhaust manifold paint).**

9A427 Valve Exhaust Heat Riser Reproduction like Original 79.95



**9431**

9430-A Exhaust Manifold RH 55/57 Reproduction EDB-9430-A ..... 255.00  
 9430-B Exhaust Manifold RH 55/56 Used Original ECH-9430-A ..... Call  
 \*9430-C Exhaust Manifold RH 55/57 Used Original EDB-9430-A ..... Call  
 9431-A Exhaust Manifold LH Reproduction ECJ-9431-A..... 255.00  
 \*9431-B Exhaust Manifold LH Used Original ECJ-9431-A ..... Call  
 \*9431-C Exhaust Manifold LH Used Original ECJ-9431-C ..... Call



**9430-K**

9430-K Gasket Set Exhaust Manifolds to Cylinder Heads Includes (3) 9450 Gaskets ..... 19.10



**9433-TZ**

9433-TZ Gasket Kit Intake Manifold with Restricted Port..... 17.95



**9A435**

**9450**

**9446**

9A435 Spacer Replaces Heat Riser Valve ..... 20.95  
 9446-A Clamp Intake Manifold to Cylinder Head ..... Call  
 9446-B Clamp Intake Manifold to Cylinder Head E-Bird ..... Call  
 9446-AL Intake Clamps Set of 4-Aluminum Replacements .... 45.00

**The 9446A was 1-7/8' Long appeared on all Engines**

**Except for the 9446B which were 2-1/4" Long on the E-Birds.**

**CARBURETOR**



**9447-A**

**9447-C**

**Note: (5) required for 55, (3) for 56, (2) for 57**

9447-A Gasket Carburetor to Manifold 55..... 1.98  
 9447-B Gasket Carburetor to Manifold 56..... 3.42  
 9447-C Gasket Carburetor to Spacer and Manifold 57 4BBL ..... 2.30  
 9447-D Gasket Carburetor to Manifold 57 2BBL ..... 2.75  
 9450 Gasket Exhaust Manifold to Inlet Pipe ..... 2.00  
 9492 Choke Deflector 57..... 8.35



**9503-A**

**9503-B**

**9B544**

9503-A Secondary Throttle Diaphragm 55/56 ..... 30.00  
 9503-B Secondary Throttle Diaphragm 57 ..... 15.00  
 \*9A507-A Fuel Float Bowl Primary Used 57 ..... Call

**CARBURETORS**



**9510-A**

**9510-B**

9510-A 55 Carburetor, Rebuilt Original ..... 350.00  
 Core Deposit on Above ..... 250.00  
 Carburetor to Intake Nuts & Washers 1955 ..... 2.60  
 Stud - Carburetor Mounting - in Manifold - 55..... 1.00  
 9510-B 56 Carburetor, Rebuilt Original ..... 350.00  
 Core Deposit on Above ..... 250.00  
 Carburetor to Intake Nuts & Washers 1956 ..... 2.60  
 357428-S Stud - Carburetor Mounting - in Manifold - 56..... 1.00



**9510-C**

**9510-H**

9510-C 57 Carburetor, Rebuilt Original ..... 365.00  
 \*Core Deposit on Above ..... 250.00  
 Carburetor to Intake Nuts & Washers 1957 ..... 12.85  
 Stud - Carburetor Mounting - in Manifold - 57..... 1.00  
 \*All carburetors must be correct to receive core credit.  
 9510-H 57 Carburetor (New) - Replacement Type, Requires Fuel Line 9520 for Installation ..... 495.00  
 Show Quality Plating of Carburetor, add..... 200.00  
 9510-S Carburetor Dual-4 (ECJ-9510-AA)..... Call  
 9510-AB Carburetor Dual-4 (ECJ-9510-AB)..... Call

\*9A515-B Rod Accelerator Pump Vent-Used 57 ..... Call

**Dual-4 Info: AA Carburetor was used on the front and AB was used on the rear with F/M--AB-Carburetors were used on Front & Rear with Standard Transmission.**

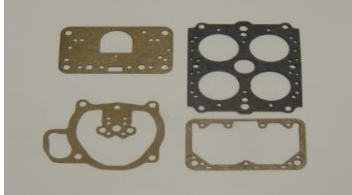
**55/56 Carburetor ID List Numbers can be found at the Rear Base of the Carburetor. Holley 4000**

**1957 T-Birds used a Holley 4150**

**Carburetor ID Numbers were stamped on the front Air Horn**

H  
I  
L  
L  
S  
  
T  
H  
U  
N  
D  
E  
R  
B  
I  
R  
D  
  
C  
E  
N  
T  
E  
R

**FUEL & CARBURETOR**



Top Left: 9A518, Top Right: 9516-B

Bottom Left: 9516-A, Bottom Right: 9561-B

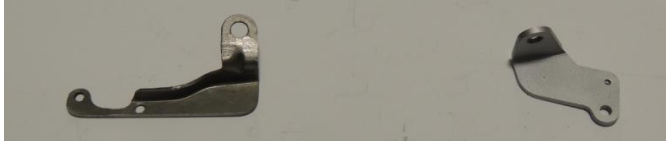
9516-A	Gasket Throttle Body to Main Body 55/56 .....	2.85
9516-B	Gasket Throttle Body to Main Body 57 .....	4.85
*9516-C	Gasket Throttle Body to Main Body 57-292-H2V .....	5.00



9581-AK

9520

9A516	Valve Accelerator Pump Discharge Needle .....	3.45
9518-AB	Bushing Set, only 5 pieces 5/6 Throttle Shaft .....	20.95
9A518	Gasket Carburetor Metering Block 57 .....	3.90
9A519-A	Spring Carburetor Float 55/56/57 Dual 4 .....	3.25
9520	Fuel Line for 9510-H Replacement 57 .....	25.95
9520-SS	Same as above, Stainless .....	29.35
9A520-A	Fitting Fuel Inlet on Carburetor .....	18.30
9A520-B	Bolt Adapts 9520 to Replacement Carburetor .....	26.52
*9528-B	Cover Accelerator Pump Used 57 .....	Call
*9531-A	Rod Accel Pump Piston Operating 55 (B5A9531A) ..	15.00
*9531-B	Rod Accel Pump Piston Operating 56 (B6A9531B) ..	15.00
9533-A	Jet Main Metering #48 .....	6.00
9533-B	Jet Main Metering #49 .....	6.00
9533-C	Jet Main Metering #50 .....	6.00
9533-D	Jet Main Metering #51 .....	6.00
9533-E	Jet Main Metering #52 .....	6.00
9533-F	Jet Main Metering #53 .....	6.00
9533-G	Jet Main Metering #55 .....	6.00
9533-H	Jet Main Metering #45 .....	6.00
*9534-A	Tube Fuel Bowl Connection Used 57 .....	10.00
9541-A	Needle Idle Adjusting 52/62 .....	3.75
9541-B	Needle Idle Adjusting 57 .....	3.75
9B544	Accelerator Pump Piston with Viton Cup Seal 55 .....	29.50
9B544-A	Same as Above 56 .....	22.95
*9545-B	Plate Choke Used 57 .....	5.00
*9B549	Dashpot F/M Throttle .....	Call
*9550-A	Float Carburetor 55/56 .....	Call
*9550-B	Float Carburetor 57 4BBL .....	35.00
9550-H	Float for 9510-H Replacement Carburetor .....	10.95



9B550-A

9B550-B

9B550-A	Bracket Dashpot 55/56 .....	22.85
9B550-B	Bracket Dashpot 57 .....	22.85
9B559	Diaphragm Pump 57 .....	4.65
9B559-A	Diaphragm Pump 57, Best One .....	17.50
*9560-B	Spring Pump Chamber Vent 57 .....	Call
9561-A	Gasket Main Body 55/56 Cover Plate .....	4.85
9561-B	Gasket Carburetor Fuel Bowl 57 .....	3.99
9564-A	Needle and Seat 55/56 Screw Type .....	12.85
9564-B	Needle and Seat 55/56 Press-In Type .....	12.85
9564-C	Needle and Seat Carburetor 57 .....	12.85
9A565	Valve Economizer 55/56 .....	13.45
9A565-A	Valve Economizer Primary 57 .....	12.15
9A565-B	Valve Power Secondary 57 .....	12.15
9A565-C	Power Valve for 9510-H Carburetor .....	10.00
9572	Accelerator Pump Cup .....	7.00
9B572	Valve Spark Control 55/56 .....	9.00
9578	Spring Idle Adjusting Needle All .....	1.50
9581-AK	Throttle Rod Kit Primary .....	78.75
*9586	Screw Only 55/56 Throttle Plates .....	1.00
9586-A	Screw Kit only 55/56 Throttle Plates .....	6.40

**CARBURETOR / AIR CLEANERS**



9A586-C



9A589-B

9A586-C	Carburetor Premium Kit 55/56; 57D-4; 57SC .....	95.00
9A586-D	Carburetor Repair Kit 57 4BBL 4150 Series .....	79.00
9A586-E	Carburetor Repair Kit 57 2BBL .....	65.00
9A586-F	Carburetor Repair Kit for 9510-H Replacement Carburetor 57 .....	50.00
9A588	Gasket Spark Control Valve 9B572 55/56 .....	1.00
9A588-A	Gasket Power Valve 57 .....	1.00
9A589	Spacer Carburetor to Intake 57 Phenolic .....	41.95
9A589-A	Spacer Carburetor to Intake 57 4V Aluminum .....	45.00
9A589-C	Spacer Carburetor to Intake 57 2V .....	Call
9A589-E	Spacer Carburetor to Intake 57 Dual-4 One per Carburetor .....	23.50
9592	Gasket Bolt to Main Body 57 4BBL .....	0.50



9A599

9848-A

9853

*9597	Cam Counterweight 55/56 .....	Call
9A599	Rod Automatic Choke 55 .....	13.60
9A599-A	Rod Automatic Choke Control 57 .....	Call

**FUEL/AIR FILTERS/LINKAGE**

\*Air Cleaner Covers are Stainless Steel\*



9600-55	Air Cleaner – Looks like Original but is Low Maintenance Dry Element - 55 .....	399.00
9600-56	Air Cleaner – Like 55 above but Fits 56 .....	399.00
9600-57	Air Cleaner Reproduction - 57 .....	419.00
9600-56C	Air Cleaner Assembly 56 Replacement for 55 Has Chrome Lid-Oil Bath Type .....	310.00
9600-57C	Air Cleaner Assembly 57 Has Chrome Lid .....	375.00
9603-AR	Wingnut Air Cleaner 55/56 .....	3.40
9603-BR	Wingnut Air Cleaner 57 .....	3.40

**AIR CLEANER OVERHAUL KIT**

Refurbish Your Original Air Cleaner  
Includes: 9600A Cork Gasket, K900A Staples  
Gaskets 9654 & 9673, New Decal  
19000A Argent Paint & for 57 a 9601B Air Filter

9600-AK	Air Cleaner Kit 55/56-Oil Bath .....	23.75
9600-BK	Air Cleaner Kit 57-Dry Type Includes 9601B .....	34.75



9600-A

9600-A	Cork Air Cleaner .....	4.25
K900A	Kit Staples .....	3.75
9600-B	Air Cleaner Cover Polished Stainless 55/56 .....	140.00
9600-C	Air Cleaner Cover Polished Stainless 57 .....	140.00
9600-D	Stud Carburetor to Air Cleaner 57, See 9A659 for 55/56 .....	1.30
9600-CR	Air Cleaner Cover Chrome 55/56 .....	89.95
9600-DR	Air Cleaner Cover Chrome 57 .....	79.95

H  
I  
L  
L  
S  
  
T  
H  
U  
N  
D  
E  
R  
B  
I  
R  
D  
  
C  
E  
N  
T  
E  
R

**AIR FILTER ELEMENTS**



9601-A

9601-B



9601-C

9601-R

- 9601-A Air Filter Replace 55/56 Reproduction Air Cleaners . 12.95
- 9601-B Air Filter 1957 ..... 14.49
- 9601-C Air Filter Element Oval 57 ..... 21.95
- 9601-R Air Filter Element E- bird Round 57..... 40.00

**Like Original, Correct Color, Paper and Wire Passes for concourse Correct and Authenticity, Made in the USA**



9601-D

9601-E



9601-F

- 9601-D Air Filter 4V 57 Like Original ..... 150.00
- 9601-E Air Filter Dual-4 57 like Original ..... 150.00
- 9601-F Air Filter Supercharger 57 like Original..... 150.00
- 9616-7 Vent Tubes Carburetor 55 Pair ..... 22.75
- 9616-B Vent Tubes Carburetor 56 Pair ..... 22.75
- 9634 Seal Idle Adjusting Needle 57 ..... 0.79
- 9652-ER S/C Pressure Hose ..... 80.00
- 9654-A Gasket Air Cleaner 55/56..... 2.35
- 9654-B Gasket Air Cleaner 57..... 2.85
- 9655 Seal Choke Air Inlet 55/56/57 Dual 4 ..... 4.35



9A659-A

9A659-B

9600-D

- 9A659-A Stud Air Cleaner to Carburetor 55..... 10.45
- 9A659-B Stud Air Cleaner to Carburetor 56..... 11.49
- 9673 Gasket Inside Air Cleaner 55/56 ..... 2.52



9724-E

- 9724-E Bell crank Center Dual-4..... 150.00

**9600-D & 9A659-A & B**  
**When installing these parts**  
**Be sure to check the**  
**Clearance between the top**  
**of the stud and the Hood**

**CARBURETOR LINKAGE**



9725

9725-EA

- 9725 Accelerator Bell crank Assembly 56/57 F/M..... 66.95
- 9725-A Bell crank on Firewall All 55/56 WST or OD..... 52.95
- 9725-D Bell crank on Firewall 57ST ..... 52.95
- 9725-EA Bell crank at Firewall Dual 4 with Automatic Transmission..... 150.00
- 9725-ES Bell crank at Firewall Dual 4 Standard Transmission 150.00



9727



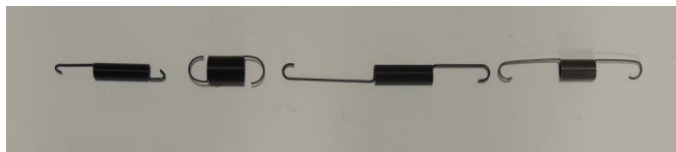
9727-A

- 9727 Rod Accelerator Pedal..... 7.35
- 9727-A Cork Seal Accelerator Pedal..... 1.05



9735

- 9735 Throttle Pedal 55/57 ..... 14.17
- K9735 Kit Accelerator Pedal to Floor and Firewall ..... 2.00



9736

9737-A

9737-B

9737-C

- 9736 Spring Throttle Kick down FM 55/57 ..... 5.30
- 9737-A Spring Throttle Return 55/56 ..... 4.56
- 9737-B Spring Throttle Return 57 ..... 6.74
- 9737-C Spring Throttle Return Dual 4 1957 ..... 5.15



9747



9747-B

- 9747 Rod, Carburetor to Bell crank (57 with Fordomatic) . 10.40
- 9747-B Rod, Carburetor to Bell crank (56)..... 10.40



9747-C



9747-D



9747-E



9747-EA



9747-EOD



9747-ES

**H  
I  
L  
L  
S  
  
T  
H  
U  
N  
D  
E  
R  
B  
I  
R  
D  
  
C  
E  
N  
T  
E  
R**

**CARBURETOR LINKAGE AND CHOKE PARTS**



**9747-Y**

- 9747-C Rod, Carburetor to Bell crank 57 with Standard Transmission ..... 39.95
- 9747-D Rod, Carburetor to Bell crank 57 with Overdrive ..... 79.95
- 9747-E Synchronizer Dual-4 E-Bird..... 99.95
- 9747-EA Rod, Carburetor to Rear Bell crank F/M E-Bird ..... 39.95
- 9747-EOD Rod Carburetor to Bell crank E-Bird with Overdrive . 79.95
- 9747-ES Rod Carburetor to Bell crank E-Bird with Standard Transmission ..... 59.95
- 9747-Y Yoke Carburetor Linkage ..... 7.95



**9772-A**

**9772-B**

- 9772-A Rod Accelerator 55 A/T-O/D ..... 89.95
- 9772-B Rod Accelerator 55 S/T..... 59.95



**9784-A**

**9784-B**



**9784-C**

**9784-E**

- 9784-A Link between Dash & Engine Bell crank 55 F/M..... 59.95
- 9784-B Link between Dash & Engine Bell crank 56..... 49.95
- 9784-C Link between Dash & Engine Bell cranks 57 F/M..... 49.95
- 9784-E Link Adjustment Rod Dual-4 E-Bird..... 59.95



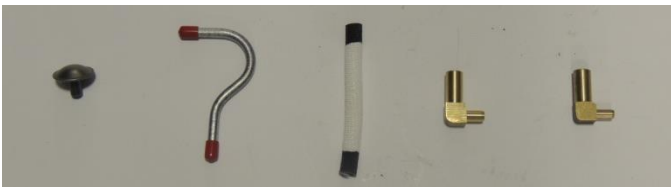
**9784-N**



**9830**

- 9784-N Nut Adjustment Rod E-Bird ..... 15.00
- 9830 Bracket, Accelerator Linkage to Motor ..... Call

**CARBURETOR LINKAGE/CHOKE PARTS**



**9492**

**9819-B**

**9865-B**

**9877**

**9884**

- 9819-A 56, Outlet Tube, Auto Choke Control ..... 3.90
- 9819-ASS 56, Outlet Tube, Auto Choke Control SS..... 5.75
- 9819-B 57, Outlet Tube, Auto Choke Control ..... 4.00
- 9819-BSS 57, Outlet Tube, Auto Choke Control ..... 6.00

**CARBURETOR CHOKE PARTS**

- 9819-E Tube Automatic Choke 57 Dual 4 PR..... 6.25
- 9819-ESS Tube Automatic Choke 57 Dual 4 PR..... 9.40
- 9820-A 55 Auto Choke Inlet Tube .....9.40
- 9820-ASS 55 Auto Choke Inlet Tube SS ..... 15.50
- 9820-B 56 Auto Choke Inlet Tube ..... 17.25
- 9820-BSS 56 Auto Choke Inlet Tube SS ..... 24.00
- 9820-E Tube Automatic Choke 57 Dual 4 PR ..... 32.00
- 9820-ESS Tube Automatic Choke 57 Dual 4 PR SS ..... 40.00

**AUTO CHOKE HEAT TUBE KIT**

Includes: Tubes, Insulators & Fittings

9242-9819-9820-9865-9877-9884-9890

As Required Per Application

- 9890-AK 56 Choke Heat Tube Kit ..... 57.00
- 9890-AKS 56 With 9819ASS & 9820BSS Stainless Tubes ..... 65.00
- 9890-BK 57 Choke Heat Tube Kit-Uses 9492 Deflector ..... 49.00
- 9890-BKS 57 With 9819BSS Stainless Steel Tube..... 47.00

- 9825 Clip, Clevis Rod RH..... 0.40
- 9826 Clip, Clevis Rod LH ..... 0.40
- \*9830 Bracket, Accelerator Linkage to Motor ..... Call



**9840-A**

**9864**

**9890-A**

**9944-A**

- 9840-A Piston & Link Choke 56, 57 E&F..... 69.90
- \*9842-A Retainer Choke Cap Used..... 6.00
- 9848-A Choke Cap, 55-56 ..... 28.67
- 9848-B Choke Cap, 57 ..... 26.15
- 9848-S Spring Only Choke Thermostat 55/57 ..... 8.00
- 9849-C Choke Assembly Electric with Housing 57 ..... 98.95
- 9850 Choke Assembly, 55/56/57 ..... Call
- 9853 Gasket, Choke Housing to Manifold, 55..... 1.25
- 9853-A Gasket Thermostat Choke Housing 56 ..... 1.50
- 9853-B Gasket Secondary Throttle Diaphragm Housing 55/56 2.00
- 9861 Shield Auto Choke Supercharger ..... 10.46
- 9864 Nut - Choke Tube on 55' Intake ..... 12.55
- 9865-A Insulator Auto Choke Tube, 56 ..... 3.90
- 9865-B Insulator Auto Choke Tube, 4-BBL 57 ..... 4.50
- 9865-C Insulator Auto Choke Tube 2-BBL 57 ..... 4.50
- 9865-D Insulator Auto Choke Dual 4 57PR ..... 6.95
- 9871-A Gasket Choke Cap Housing ..... 1.95
- 9871-B Gasket Choke Cap 57 ..... 1.95
- 9877 Brass Elbow, Choke Tube Inlet, 56..... 9.50
- 9884 Elbow, Choke Tube Outlet, 56-57 ..... 9.50
- 9890-A Auto Choke Heat Tube 55 ..... 24.95
- 9890-B Auto Choke Heat Tube 56/57 ..... 15.95
- 9890-E Heat Tube Choke Control 57 Dual Carburetor ..... 15.95

- 9937 Spring, Fuel Filter Screen in Carburetor ..... 2.15
- 9938 Screen, Fuel Filter in Carburetor, 55/56/57 ..... 5.95
- 9944-A Plug and Seal for Carburetor Needle and Seat 55/56 14.69
- 9998 Seal Carburetor Air Horn 55/56 ..... 3.00

**COMING SOON TO OUR WEBSITE**

[WWW.HILLSRESTO.COM](http://WWW.HILLSRESTO.COM)

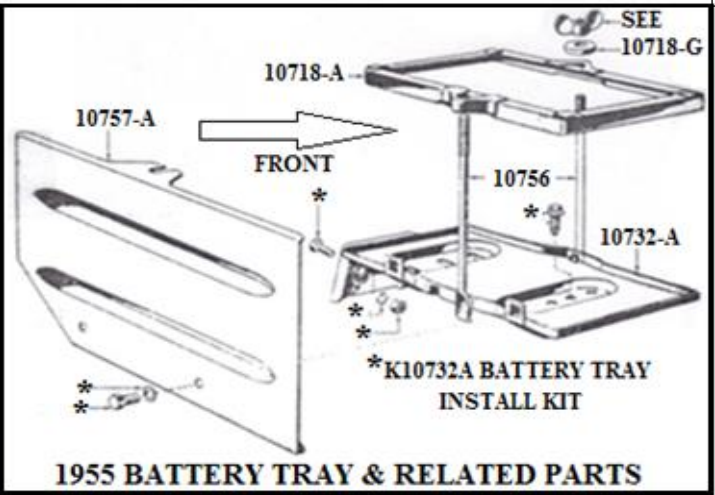
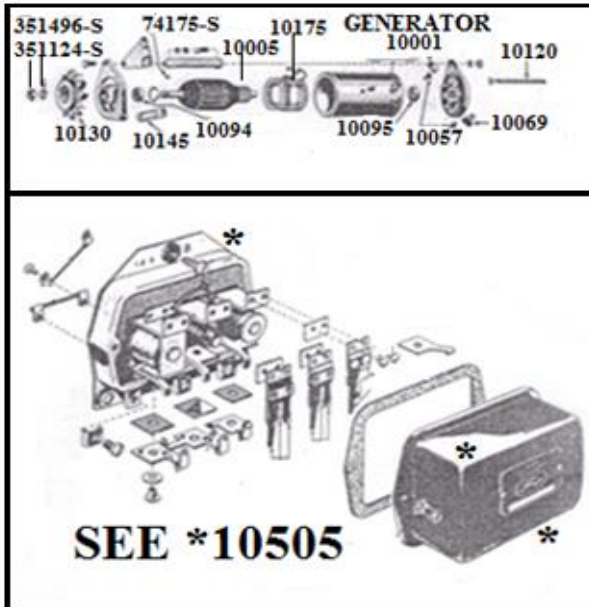
**ONLINE PARTS ORDERING**

**ALSO CHECK OUT OUR CATALOG**

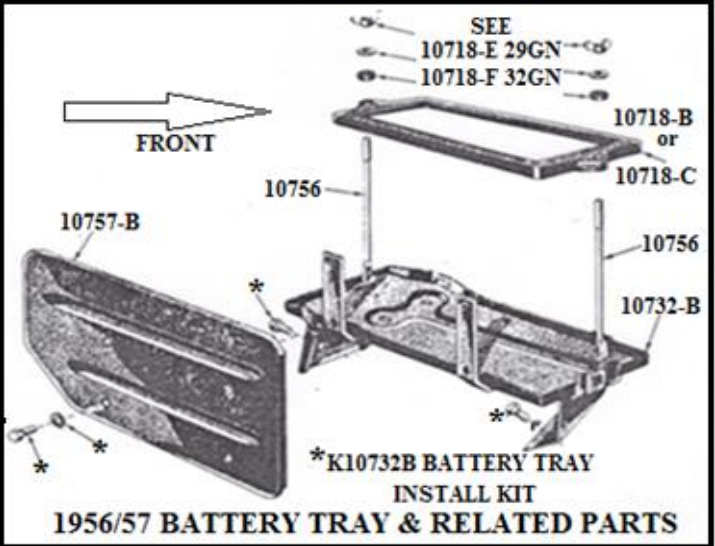
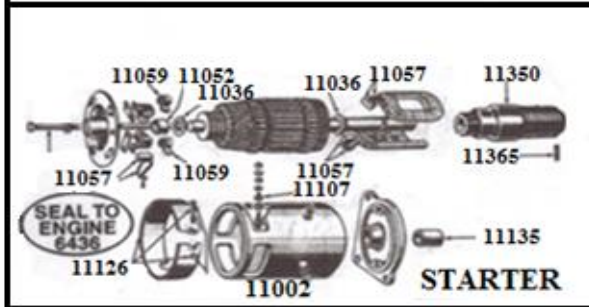
**ONLINE**

**866-949-1956**

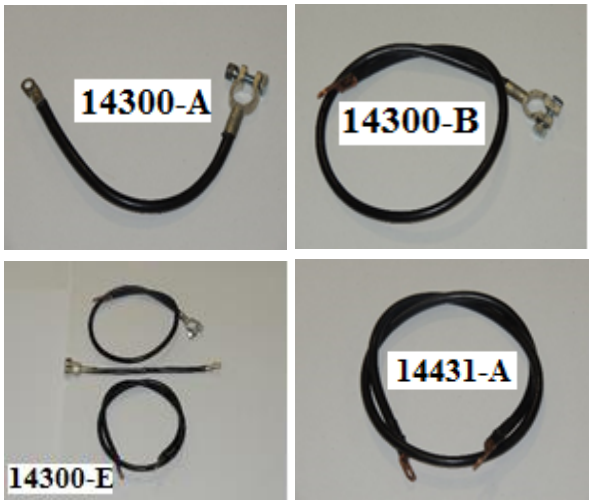




1955 BATTERY TRAY & RELATED PARTS

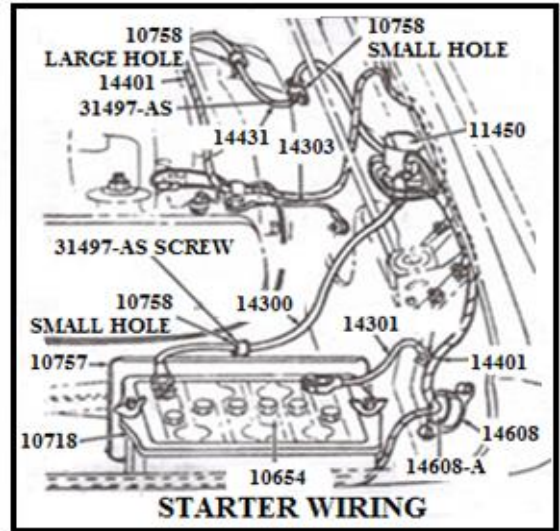


1956/57 BATTERY TRAY & RELATED PARTS



Battery Cables	
14300-A	Batt Cable to Solenoid-Plated End 55.....18.95
14300-B	Batt Cable to Solenoid-Plated End 56/57....18.95
14300-D	Batt Cable Set 56 Concourse Correct.....69.95
14300-E	Batt Cable Set 57 Concourse Correct.....69.95
14301-A	Batt Cable to Ground-Plated End 55.....28.15
14301-B	Batt Cable to Ground-Plated End 56.....18.95
14301-C	Batt Cable to Ground-Plated End 57.....12.55
14431-A	Cable Solenoid to Starter 55.....23.45
14431-B	Cable Solenoid to Starter 56/57.....20.60

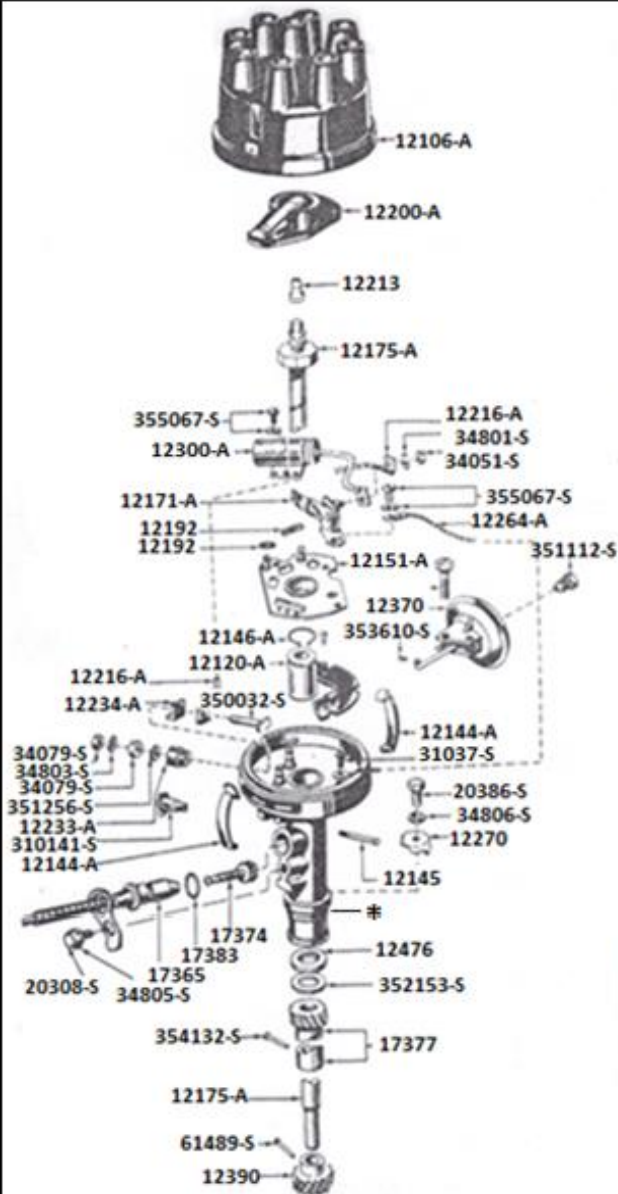
See Pages 91 & 92 for more Battery Cables



STARTER WIRING

HILL'S THUNDERBIRD CENTER 866-949-1956

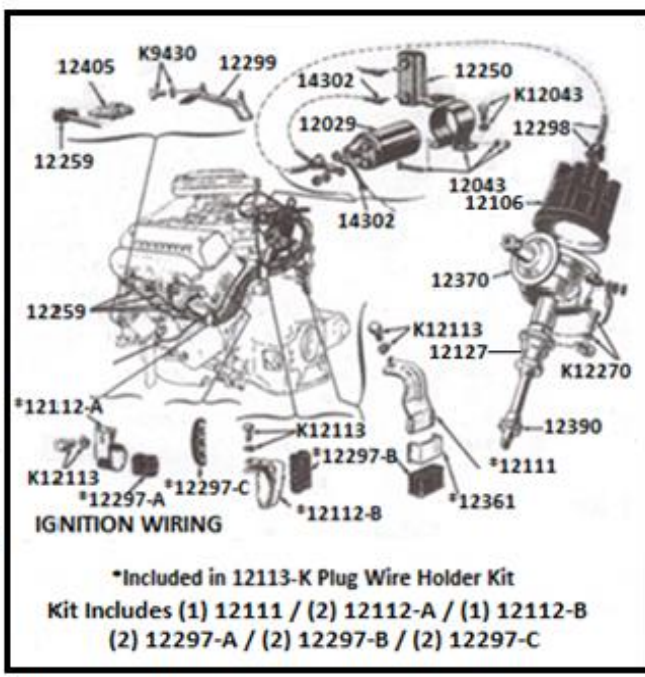




55/56 THUNDERBIRD DISTRIBUTOR TYPICAL

**\*See Pages 77 Thru 79 for Distributor Parts List**

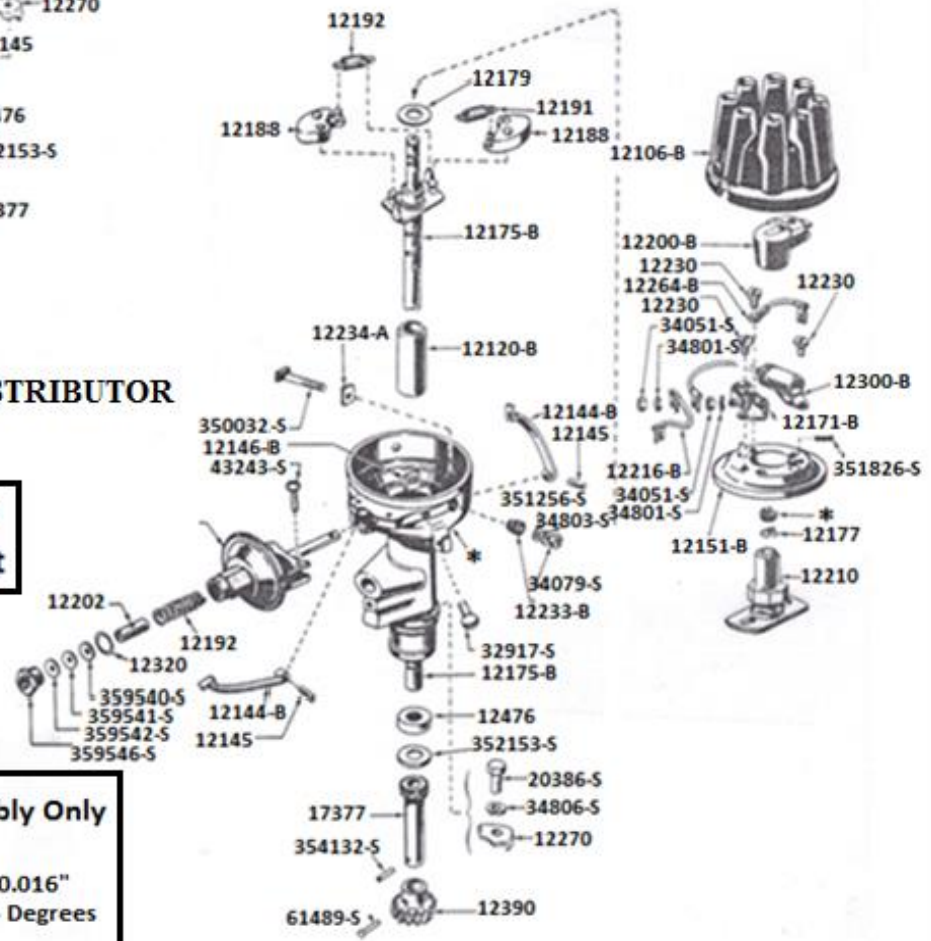
**\*Serviced in 12127 Assembly Only**  
**Note:**  
 Distributor Points Gap—0.014" - 0.016"  
 Distributor Dwell Angle—26-28.5 Degrees  
 Spark Plug Gap—0.032" - 0.036"  
 Timing Marks on Cranshaft Pulley



**IGNITION WIRING**

\*Included in 12113-K Plug Wire Holder Kit  
 Kit Includes (1) 12111 / (2) 12112-A / (1) 12112-B  
 (2) 12297-A / (2) 12297-B / (2) 12297-C

**Distributor Identification Numbers on Side of Distributor**  
 1955 FEAL12127E or FEAL12127F      1956 FEF12127B  
 1957 FEJ12127A 4V                      FEJ12127B Dual-4  
 1957 FEJ12127D Supercharger



1957 THUNDERBIRD DISTRIBUTOR-TYPICAL



**GENERATOR / BATTERY / ALTERNATOR**

*10001-AR	Generator Rebuilt 6-Volt .....	Call
	Core Deposit on 6-Volt Generator.....	100.00
*10001-BR	Generator Rebuilt 12-Volt .....	Call
	Core Deposit on 12-Volt Generator.....	100.00
*10001-AN	Generator Brand New Inside, Only Exterior is Reused	
	55 6V Exchange .....	249.00
	Core .....	100.00
*10001-BN	Generator, Same as Above, 56/57 12V.....	249.00
	Core.....	100.00
<b>See next column on Polarizing a Generator &amp; Voltage Regulator</b>		
10001-AK	Generator Overhaul Kit 6-Volt Includes:	
	(2) 10057, (1) 10069, (1) 10094, (1) 10095 .....	38.95
10001-BK	Generator Overhaul Kit 12-Volt Includes:	
	(2) 10057, (1) 10069, (1) 10094, (1) 10095 .....	38.95
10005	Armature Brand New 12V.....	65.00
10044	Screw Generator Pole Piece .....	3.00
*10050	Plate Rear Generator.....	Call
10057	Spring Generator Brush.....	4.60
10069-A	Brush Set Generator 55.....	5.90
10069-B	Brush Set Generator 6/7.....	5.90
10094	Bearing Generator Front or P/S Pump .....	10.20
10095	Bearing Generator Rear.....	9.75
10120	Bolt Generator & Starter Frame .....	3.00
*10130-A	Pulley Generator NOS 55/57 .....	Call
*10130-B	Pulley Generator Used 55/57.....	Call
10130-R	Pulley Generator Replacement .....	137.20
*10139	Generator Front Plate .....	Call



10145	Arm Generator Belt Adjusting .....	14.65
10151	Bracket Generator Mount.....	51.95
10153	Bracket Generator Stabilizer.....	8.35
10163-A	Ring Generator Front Plate .....	2.85
10175-A	Generator Field Coil Assembly New 55 6V .....	60.00
10175-B	Generator Field Coil Assembly New 56/57 12V .....	60.00
10202-A	Bushings Generator Terminal Screw.....	3.85
10206-A	Bushing Generator Frame Field.....	3.85
10208-A	Washer Generator Terminal Screw .....	2.90
10211-A	Screw Generator Terminal Rear End Plate .....	6.45
10211-AC	Kit to Convert Passenger Car Generator End Plate to T-Bird End Plate, Use with Cast End Plate.....	20.95
10211-AS	Same as Above, Use with Stamped End Plate.....	20.95

**ALTERNATOR CONVERSION KIT**



<b>Alternator Conversion Kit, 12-Volt</b>	
All the items necessary for the conversion	
Includes instruction sheet	
10346-K	Alternator Conversion Kit .....

**VOLTAGE REGULATOR / BATTERY**



	<b>10505-B</b>		<b>10505-C</b>	
10505-A	Voltage Regulator 6-Volt 55.....	79.95		
10505-B	Voltage Regulator 12-Volt 56/57.....	69.95		
10505-C	Voltage Regulator with Stamping 12-Volt.....	79.95		
C3TZ10505B	Voltage Regulator 12V Ford-Motorcraft.....	104.95		

**\*Polarizing Generators & Voltage Regulators\***

Normally it is only necessary to polarize a generator when a generator has been rebuilt & if a new pole shoes have been installed. To polarize a rebuilt or new generator mounted on the vehicle disconnect the field wire & the battery wire from the regulator and momentarily contact the two wire together, engine not running. When polarizing a voltage regulator jump the field terminal to the battery terminal on the voltage regulator. CAUTION: Do not polarize a generator by any other method that applies battery voltage to the field terminal of the regulator. This action causes excessive current to flow from the battery through the regulator contacts to ground, thus burning up the points.



	<b>10654</b>	
10654-A	Battery 6-Volt Original Script .....	300.00
10654-B	Battery 12-Volt, 29 Group, Maintenance Free.....	270.00
10654-C	Battery 12-Volt, 32 Group, Maintenance Free.....	290.00
10654-D	Battery 12V Group 29-Replacement.....	159.95
10655-A	Battery Corrosion Resistors, Felt, Package of 2.....	1.50

**Battery Warranty and Info**

**G2N-Red Caps & Letters uses (2) Hold down Bolts**  
**G29N- Red Caps & Letters uses (2) Hold down Bolts**  
**G32N- Yellow Caps & Letters uses (3) Hold down Bolts**

	L	W	H	*CCA
G2N-6V	10-1/4"	5-1/2"	9"	600
G29N-12V	12-1/2"	5-1/2"	9"	750
G32N-12V	14"	5-1/2"	9"	850

\*Cold Cranking Amps

**Ford Power Punch Logo must be painted if needed**  
**Battery Warranty One Year Free Replacement**  
**Three Year Pro-Rated**  
**All Batteries are dropped shipped from Manufacture**  
**All Warranty Issues will be thru Manufacture**

**Battery Hold Down Kit**

You save \$1.00

Includes hold down clamp, bolts, wing-nuts, & washers

10718-AK	55 6V Battery .....	22.66
10718-BK	56/57 12V Standard Battery 29G.....	34.35
10718-CK	56/57 12V Heavy Duty Battery 32G.....	37.95
10718-A	Clamp Battery Hold-down 55.....	11.96
10718-B	Clamp Battery Hold-down 56/57 2-Hole 29G .....	24.45
10718-C	Clamp Battery Hold-down 56/57 3-Hole 32G .....	22.50

H  
I  
L  
L  
S  
  
T  
H  
U  
N  
D  
E  
R  
B  
I  
R  
D  
  
C  
E  
N  
T  
E  
R

**BATTERY & ELECTRICAL PARTS**



**10718-E** **10719**

- 10718-E Kit Battery Clamp Includes: 2-Ea Wing-nut Correct Size Rubber Grommets & Washers ..... 3.50
- 10718-F Kit same as 10718-E except 3 ..... 5.35
- 10718-G Kit same as 10718-E except with Forged Wing-nuts ..... 4.30
- 10719 Bracket Angle Battery Hold-down to Apron 55 ..... 6.85
- \*10720 Bracket Battery Support 1955 Welds to Inner Fender Used..... 25.00



**10732-A** **10732-B**

- 10732-A Battery Tray 6-Volt 55 ..... 63.00
- 10732-B Battery Tray 12-Volt 6/7 ..... 70.30

**BATTERY TRAY KIT**

**Includes: 10718 Battery Clamp, 10718 Wingnut Kit, 10732 Tray K10732 Kit, 10756 Bolts, 10757 Shield**

- 10732-AK 55, Use with G2N Battery ..... 112.95
- 10732-BK 56/57, Use with G29N Battery..... 142.95
- 10732-CK 56/57, Use with G32N Battery..... 145.95



**10757-A** **10757-B**

- 10757-A Battery Heat Shield Steel 55..... 31.75
- 10757-B Battery Heat Shield Steel 56/57 ..... 41.95



**10756-A** 9-1/2" Long



**10756-B** 8-3/4" Long

**Tech Tip: These items should be cadmium plated, Or sprayed with argent paint.**

**Notes: 55 G2N use (2) 10756-B**

**56/57 G29N use (1) 10756-A & (1) 10756-B**

**56/57 Heavy Duty G32N use (3) 10756-B**

- 10756-A Bolt Battery Clamp Long Plated Correct Length & Shape..... 3.70
- 10756-B Bolt Battery Clamp Short Plated Correct Length & Shape..... 3.70
- K10732A Kit Battery Box to Apron Firewall 55..... 3.75
- K10732B Kit Battery Support to Apron 56/57 ..... 5.75

**Items 10732 Battery Tray and 10757 Battery Heat Shield Should be Painted Gloss Black**



**AL AS BL BS AG BG**

**Note: 55 use (1) 10758-AL & (1) 10758-AS**

**56 use (1) 10758-AL & (2) 10758-AS**

**57 Use (1) 10758-BL & (2) 10758-BS**

- 10758-AL Grommet & Bracket Battery Cable Large Hole for Bell housing 55/56..... 8.95

**BEZELS / ELECTRICAL**

- 10758-AS Same as above with small hole 55/56 ..... 8.95
- 10758-AG Same as above grommet only 55/56 ..... 5.00
- 10758-BL Grommet & Bracket Battery Cable Large Hole for Bell housing 57 ..... 8.95
- 10758-BS As above with small hole 57 ..... 8.95
- 10758-BG As above grommet only 57..... 5.00

**\*\*See Page 71 for Location & Illustration of Part Number 10758\*\***



**\*10804** **10845**

- 10804 Regulator Inst. Voltage 57 Replacement ..... 89.95
- 10804-A Regulator Inst. Voltage 57 Original ..... Call

**\*Pulsating Voltage Regulator provides reduced Voltage (Max-9V) to Fuel & Temp Gauges. This unit must be Grounded before power is applied if not Fuel & Temp Gauges will fail.**

- \*10838 Housing Inst. Cluster 57 Used Original ..... 100.00
- 10840-A Trim Ring Speedometer 57 Chrome ..... 29.95
- 10845 Clip Speedometer Retaining 55/56 4-Per Car..... 4.50
- \*10848 Plate Instrument Cluster Back 57 ..... 50.00
- 10852-CL Dash Bezel Inner Cigar Lighter..... 15.75
- 10852-HB Dash Bezel Inner Heater Switch..... 15.75
- 10852-LA Dash Bezel Inner Left Air..... 15.75
- 10852-LI Dash Bezel Inner Headlamp Switch ..... 15.75
- 10852-RA Dash Bezel Inner Right Air No Heater ..... 15.75
- 10852-WI Dash Bezel Inner Windshield Wiper Control ..... 15.75
- 11580 Dash Bezel Inner Ignition Switch ..... 18.95



**LA LI WI CL HB RA 11580**

**10852**

**Bezel Kit Plastic Nameplate-Includes:**

**10852-CL, 10852-HB, 10852-LA, 10852LI, 11580**

- 10852-K Dash Bezel Kit 55/57..... 89.95

**Dash Knob Kit**

- 10852-AK 55/56, Includes One Each: 01891, 11661A, 15056K 17513, 18513 ..... 109.95
- 10852-BK 57 Same as Above uses 11661B..... 109.95



**10853** **10868**

- 10853 Bezel Dash Knobs Outer ..... 13.95
- 10853-K Chrome Bezel Kit (1) 15059, (5) 10853 ..... 87.95
- 10853-T Bezel Nut Tool..... 7.00



**10855-KA**

- 10855-KA Dash Knob Kit 55/56..... 294.60
- 10855-KB Dash Knob Kit 57..... 294.60
- 10868 Pad between Dash Outer Bezel and Dash ..... 0.65

H  
I  
L  
L  
S  
  
T  
H  
U  
N  
D  
E  
R  
B  
I  
R  
D  
  
C  
E  
N  
T  
E  
R

## DASH & GAUGE PARTS



**10876-A**

- 10876 Bezel Set Dash Instruments 57, Set of (5) Made in USA ..... 199.95
- 10877-AK Bezel Set Dash Instrument 57 Set of 5 ..... 99.95
- 10876-C Trim Ring Gauges 57 Chrome See 15010-A for Clock Trim ..... 21.95



**10883-AR**

**10884-A**

- 10883-A Temperature Gauge New 55 6-Volt ..... 84.95
- 10883-AR Temperature Gauge Rebuilt 6-Volt ..... 129.00
- 10883-B Temperature Gauge New 56 12-Volt ..... 84.95
- 10883-BR Temperature Gauge Rebuilt 12-Volt ..... 129.00
- 10883-C Temperature Gauge 57 Original ..... Call
- 10883-CR Temperature Gauge Rebuilt 57 ..... 129.00
- Core Deposit on 10883-AR-BR-CR ..... 75.00

**\*55 Temp Gauge has 11-12 ohms resistance. 56 has 38-40 ohms resistance. 57 has 13-14 ohms resistance. Measured from Terminal to Terminal**

- 10883-DR Dropping Resistor-Drops 12V to 6V-Use when converting 6V to 12V System does Temp Gauge-One required ..... 29.95



**10883-B5**

**10884-B6**

- 10883-B5 Temperature Sender & Dash Gauge Set 1955 12-Volt Includes Sender, Gauge, & Instructions ..... 129.95
- 10883-B6 Same as Above for 1956 ..... 129.95
- 10884-A5 Sender Only for 10883-B5 ..... 31.95
- 10884-B6 Sender Only for 10883-B6 ..... 31.95
- 10884-A Temperature Sender 55 6-Volt ..... 73.49
- 10884-B Temperature Sender 56 12-Volt ..... 73.49
- 10884-C Temperature Sender 57 ..... 15.80
- 10885-AK Temperature Gauge & Sender Kit 55 6-Volt ..... 149.95
- 10885-BK Temperature Gauge & Sender Kit 56 12-Volt ..... 149.95
- 10911-AR Adapter Temperature Sender 55/56 ..... 14.70
- 10911-BR Adapter Temperature Sender 57 ..... 14.70
- 10911-TA Tool for Adapter 55/56 ..... 16.00
- 10911-TB Tool for Adapter 57 ..... 16.00
- 10936-A Lens Glass Speedometer Gauge 57 ..... 4.50
- 10936-B Lens Glass Tachometer/Fuel/Temperature 57 ..... 3.45



**10A938  
TJK57**

**17314-A-TJK55  
17314-B**

- 10A938 Bezel Kit Dash Indicator Lights Set of 4 for 57 ..... 33.00
- TJK55 Jewel Kit 55/56 ..... 5.25
- TJK57 Jewel kit 57 ..... 7.35
- TJK57-E Jewel Kit 57 Early ..... 7.35
- \*10987 Retainer 57 Dash Pad over Instrument Cluster Stainless Steel ..... Call
- 17314-A Retainers - Turn Signal Lenses, Pair, 55/56 ..... 8.35
- 17314-B Bezel Turn Signal Indicator 55/56 ..... 15.9

## STARTER/ELECTRICAL



**11002-B**

**11002-C**

- 11002-AN Starter Brand New 55 6-Volt No Core ..... 199.95
- 11002-BN Starter Brand New 56/57 12-Volt No Core ..... 199.95
- 11002-C Starter 12-Volt High Torque 1.4KW 100% Bolt On Eliminates Bendix Drive for Smooth Starts - New .... 159.95
- 11002-A Starter Remanufactured 55 6V ..... 149.95
- 11002-B Starter Remanufactured 56/57 12V ..... 149.95
- Core Deposit on 11002-A & B ..... 30.00
- 11002-AR Starter Rebuilt Original 6V ..... Call
- 11002-BR Starter Rebuilt Original 12V ..... Call
- Core Deposit on 11002-AR & BR ..... 100.00
- 6436 Starter Seal Original Type ..... 12.95

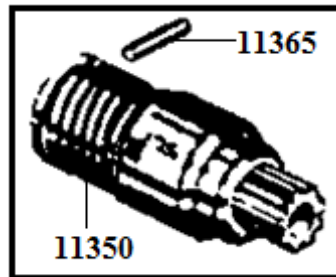
**Starters Do Not Come With Starter Drive**



**11002-K**

- 11002-K Starter Overhaul Kit 6 or 12-Volt, Includes: (2) 11036, (1) 11052, (1) 11057, (1) 11059, (1) 11135 ..... 17.80**

- \*11005 Starter Armature ..... 59.95
- 11036 Washer Starter Armature Thrust ..... 0.89
- \*11049 Plate Assembly Starter Front Used Original ..... Call
- 11052 Bushing Starter Front End Plate ..... 2.00
- 11057 Brush Set Starter 4-Brushes ..... 6.94
- 11059 Spring Starter Brush ..... 1.00
- 11083-A Field Coil for Starter New 6-Volt ..... 49.95
- 11083-B Field Coil for Starter New 12-Volt ..... 49.95
- 11107 Bushing Starter Field Terminal ..... 2.45
- 11126 Starter Cover and Attaching Parts ..... 8.00
- \*11130 Plate Starter Rear ..... Call
- 11135 Bushing Starter Rear End Plate ..... 4.85



- 11350 Starter Drive ..... 49.95
- 11365 Pin Starter Drive Pinion ..... 2.00

75  
H  
I  
L  
L  
S  
  
T  
H  
U  
N  
D  
E  
R  
B  
I  
R  
D  
  
C  
E  
N  
T  
E  
R

**STARTER & IGNITION PARTS**



- |            |  |                |              |       |
|------------|--|----------------|--------------|-------|
|            | <b>11450-B</b>   | <b>11450-C</b> | <b>11572</b> |       |
| 11450-A    | Solenoid Starter 55 Replacement 6-Volt .....   |                |              | 19.95 |
| 11450-B    | Solenoid Starter 55 6-Volt Metal Can .....   |                |              | 41.95 |
| 11450-C    | Solenoid Starter 56/57 12-Volt Brown, Concourse Correct.....                           |                |              | 37.95 |
| 11450-D    | Solenoid Starter 12V 56/57 Black .....   |                |              | 20.52 |
| B6AZ11450A | Solenoid Starter 12V Ford Motorcraft.....  |                |              | 43.26 |
| 11572      | Ignition Switch Aftermarket Studs are Shorter .....                                    |                |              | 28.75 |
| 11572-A    | Ignition Switch Made Like the Motorcraft Switch Made in China With Correct Studs ..... |                |              | 34.95 |
| B5A11572A  | Ignition Switch Ford Motorcraft Limited Quantity .....                                 |                |              | 54.95 |
| 11580      | Dash Bezel Inner Ignition Switch.....  |                |              | 18.95 |
| 11581      | Spring Ignition Switch .....   |                |              | 2.18  |



- |       |  |              |       |
|-------|--|--------------|-------|
|       | <b>11582</b>                               | <b>11585</b> |       |
| 11582 | Cylinder & Keys Ignition Switch Lock ..... |              | 8.99  |
| 11585 | Retainer Nut Ignition Switch.....          |              | 13.80 |



- |         |  |                |       |
|---------|--|----------------|-------|
|         | <b>11650-A</b>                           | <b>11650-B</b> |       |
| 11650-A | Nut Headlamp Switch Retainer 55/56 ..... |                | 14.60 |
| 11650-B | Nut Headlamp Switch Retainer 57 .....    |                | 14.95 |



- |           |                                  |                |       |
|-----------|----------------------------------|----------------|-------|
|           | <b>11654-B</b>                   | <b>11661-A</b> |       |
| 11654-A   | Headlamp Switch 55 6-Volt.....   |                | 49.95 |
| B7A11654A | Headlight Switch 55/57 12V ..... |                | 63.49 |

**Kits to Keep Park Lights on with Headlights**

- |          |                                       |  |       |
|----------|---------------------------------------|--|-------|
| 11654-AP | Kit Park Lights on 55.....            |  | 9.95  |
| 11654-BP | Kit Park Lights on 56/57.....         |  | 9.95  |
| 11661-A  | Knob & Shaft Light Control 55/56..... |  | 20.95 |
| 11661-B  | Knob & Shaft Light Control 57.....    |  | 20.95 |

\*Call for Price and Availability

**DISTRIBUTOR AND IGNITION PARTS**

See Pages 78 & 79 for Distributor Parts List-55/57



- |   |  |                 |       |
|---|--|-----------------|-------|
|   | <b>12000-B</b>                         | <b>12000-BK</b> |       |
| <b>IGNITION TUNE-UP KIT</b>   |  |                 |       |
| Kit contains points, condenser, rotor, Distributor cap, and (8) spark plugs |  |                 |       |
| 12000-A   | Ignition Tune Up Kit – 1955/1956.....  |                 | 61.95 |
| 12000-B   | Ignition Tune Up Kit – 1957.....       |                 | 59.95 |
| 12000-AK  | Kit Points-Rotor-Condenser 55/56 ..... |                 | 28.70 |
| 12000-BK  | Kit Points-Rotor-Condenser 57 .....    |                 | 32.00 |

**IGNITION PARTS-ELECTRONIC IGNITER**

- |          |   |        |
|----------|---|--------|
| 12000-AE | Electronic Igniter 55/56 12V.....                                     | 110.00 |
| 12000-BE | Electronic Igniter 57 12V .....                                       | 100.00 |
| 12000-EE | Electronic Igniter 55 6V +Ground.....                                 | 115.00 |
| 12171-EM | Electronic Ignitor for 12127-EM 12V Mallory Distributor .....         | 119.95 |
| 12171-PM | Point Set for 12127-PM Mallory Distributor.....                       | 59.95  |
| 12171-M  | Electronic Ignition Conversion for 12127-MK Mallory Distributor ..... | 89.95  |
| 12171-MP | Point Set for 12127-MK Mallory Distributor.....                       | 53.95  |
| 12106-EM | Distributor Cap & Rotor Button Set for 12127-EM....                   | 47.95  |
| 12106-PM | Distributor Cap for 12127-PM Distributor.....                         | 45.95  |
| 12200-PM | Rotor Button for 12127-PM Distributor.....                            | 11.75  |



- |            |  |              |       |
|------------|--|--------------|-------|
|            | <b>12029</b>   | <b>12043</b> |       |
| 12029-A    | Coil Ignition 55 6-Volt without Decal .....                |              | 29.20 |
| 12029-B    | Coil Ignition 56/57 12-Volt without Decal .....            |              | 39.95 |
| 12029-C    | Coil Ignition 56/57 12-Volt Yellow Top without Decal ..... |              | 44.95 |
| 12029-PB6V | Coil Pertronix Black 6V.....                               |              | 50.00 |
| 12029-PC6V | Coil Pertronix Chrome 6V.....                              |              | 55.00 |
| 12029-PB   | Coil Pertronix Black 12V.....                              |              | 45.00 |
| 12029-PC   | Coil Pertronix Chrome 12V .....                            |              | 50.00 |

- |                |  |                |             |
|----------------|--|----------------|-------------|
| 12043-A        | Coil Mounting Strap 55 .....   |                | 11.35       |
| 12043          | Coil Mounting Strap 56/57 .....  |                | 29.95       |
| K12043         | Kit Coil Bracket to Manifold.....  |                | 2.30        |
| 12110-A        | Kit Ignition Cable Conduit 8-Pieces .....                                    |                | 3.85        |
| 12111          | Bracket Ignition Cable 4-Holes in Line Bracket Base 55/57 .....              |                | 4.15        |
| 12112-A        | Bracket Ignition Cable 55/57 Use with Square Type Grommet .....              |                | 2.77        |
| 12112-B        | Bracket Ignition Cable 55/57 Use with 4-Hole in Line Grommet .....           |                | 2.65        |
| 12297-A        | Grommet Ignition Cable Square .....  |                | 3.25        |
| 12297-B        | Grommet Ignition Cable Rectangular (4 used on 55) (2 fused on 56/57).....    |                | 3.25        |
| 12297-C        | Separator Plug Wires 56/57.....  |                | 1.00        |
| 12361          | Clamp goes with 12111 .....  |                | 3.55        |
| <b>18954</b>   | <b>Band Aluminum Used around 12297-B Grommets On 55 and Early 56's .....</b> |                | <b>2.35</b> |
| <b>12297-A</b> | <b>12297-B</b>   | <b>12297-C</b> |             |



- |   |                           |              |                |              |
|---|---------------------------|--------------|----------------|--------------|
|   | <b>12112-A</b>            | <b>12111</b> | <b>12112-B</b> | <b>12361</b> |
| <b>ALSO SEE KIT – 12113-K</b>   |                           |              |                |              |
| <b>PLUG WIRE HOLDER SET</b>   |                           |              |                |              |
| Kit contains: (2) 12297-A, (2) 12297-B, (2) 12297-C, (2) 12112-A, (1) 12112-B, (1) 12361, (1) 12111 |                           |              |                |              |
| 12113-K   | Plug Wire Holder Kit..... |              |                | 23.35        |

**Hill's Thunderbird Center**

29625 Bashan Road  
Racine, Ohio 45771

Prices Subject to Change without Notice

H  
I  
L  
L  
S  
  
T  
H  
U  
N  
D  
E  
R  
B  
I  
R  
D  
  
C  
E  
N  
T  
E  
R

## DISTRIBUTOR AND IGNITION PARTS

\*Certain Distributor Parts have Limited Availability\*



12127-B 12127-PM

- \*\*12127-EM Distributor Mallory with Tach Drive  
With Electronic Ignition ..... 649.95
- \*\*12127-PM Distributor Mallory with Tach Drive  
55/57 Set to 57 Specs Dual Points ..... 595.00

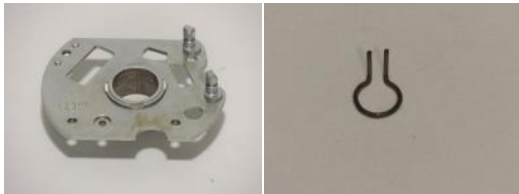
**\*\*Must Order Tachometer Cable - Listed Below**

**See Page 76 for 12127EM & PM Replacement Prsrt**

- 17365-M5 Tachometer Cable use this Cable when using  
Mallory Distributor on a 55 that you are converting  
To 57 Style Holley Carburetor and Intake Change ... 40.00
- 17365-M67 Tachometer Cable for Mallory Distributor ..... 40.00
- 12127-R Distributor Replacement 57 Non-Tachometer Drive . 179.95



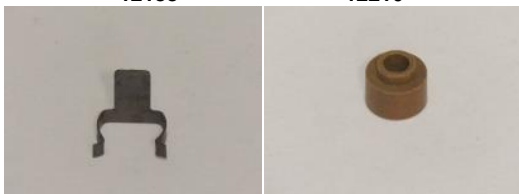
12120-A 12120-B



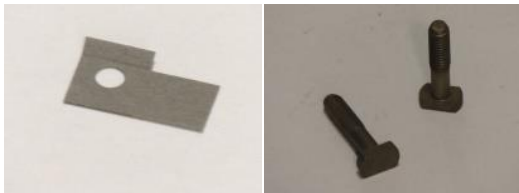
12151-A 12177



12188 12210



12213 12233



12234 \*350032-S

See Pages 78-79 for Parts List of Distributor Parts & Prices



12250 12250-A

- 12250 Coil Resistor like Original ..... 23.95
- 12250-A Coil Resistor 56/57 Motor craft Replacement ..... 21.80

## SPARK PLUG WIRES

77



Spark Plug Wire Sets  
12259-BK Shown

**Spark Plug Wire Sets are authentic reproductions. They are complete with brown coil wire with proper part number stamp, tin coated copper stranded wire like original. FOMOCO Oval on the spark plug boots, at the distributor & coil, and 12110-A conduit installed.**

- 12259-A Spark Plug Wire Set (Wires Only) 55, 56 & early 57 70.95
- 12259-B Spark Plug Wire Set (Wires Only)  
For Late 57's Small Data Plate ..... 70.95

**NEW - PREMIUM IGNITION WIRES**

**Radio resistance ignition wire set. These wires are concourse correct.**

- 12259-AP Spark Plug Wire Set (Wires Only) 55, 56, &  
Early 57 ..... 88.95
- 12259-BP Spark Plug Wire Set (Wires Only)  
For Late 57's Small Data Plate ..... 88.95

**SPARK PLUG WIRE SETS**

**Has Grommets and Brackets Already Installed**

- 12259-AK Spark Plug Wire Set 55 ..... 129.95
- 12259-BK Spark Plug Wire Set 56/57 ..... 119.95
- 12259-APK Spark Plug Wire Set 55 Premium Set ..... 149.95
- 12259-BPK Spark Plug Wire Set 56/57 Premium Set ..... 139.95

## DISTRIBUTOR AND IGNITION PARTS

Certain Distributor Parts Have Limited Availability



12216-A 12216-B 12264-A 12264-B

- 12216-A Wire Distributor Primary Terminal ..... 3.00
- 12264-A Wire Point Ground ..... 2.65
- 12216-B Wire Distributor Primary Terminal ..... 3.00
- 12264-B Wire Point Ground ..... 3.00



12270

- \*12270 Clamp Distributor ..... Call
- K12270 Kit Dist. Retaining Clip to Block ..... 1.60
- 12297-A Grommet Ignition Cable Square ..... 3.25
- 12297-B Grommet Ignition Cable Rectangular  
(4/55; 2/56-57) ..... 3.25
- 12297-C Separator Plug Wires 56/57 ..... 1.00
- 12298 Coil Wire Brown with Boots  
Comes in 12259-A and -B Wire Sets ..... 20.95

H  
I  
L  
L  
S  
  
T  
H  
U  
N  
D  
E  
R  
B  
I  
R  
D  
  
C  
E  
N  
T  
E  
R

**SPARK PLUG SHIELDS / DISTRIBUTOR**



12299

**Spark Plug Shields are Bright Plated Like Original**  
**Tech Tip: This item should be cadmium plated**

12299	Shield Spark Plug Wires Bright Plated 4/Car.....	4.94
12361	Clamp Goes with 12111.....	3.55

**DISTRIBUTOR DIAPHRAGMS**



12370-SR5

12370-SR56

*12370-A	Diaphragm Distributor Vac. Control 55.....	Call
12370-SR5	Diaphragm Distributor Vac. Control 55 Rebuilt .....	85.00
	Core .....	50.00
*12370-B	Diaphragm Distributor Vac. Control 56.....	Call
12370-SR56	Diaphragm Distributor Vac. Control 56 Rebuilt.....	160.00
	Core .....	200.00



12370-C

12370-C	Diaphragm Distributor Vac. Control 57.....	50.00
12370-CR	Diaphragm Distributor Vac. Control 57 Rebuilt.....	40.00
	Core .....	50.00

**FIRING ORDER**

1-5-4-8-6-3-7-2

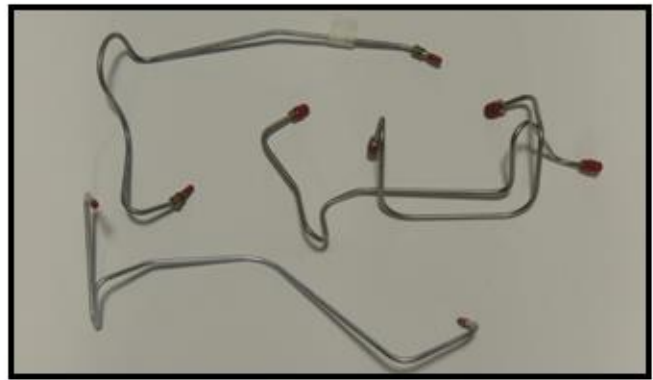
**\*Note:** Cylinders are Numbered Front to Rear  
**Right Bank: 1-2-3-4: Left Bank: 5-6-7-8**  
**See Page 72 for more Distributor Information**  
**And Distributor Illustrations**

**Initial Timing**

**3 Degree B.T.D.C. with S/T & O/D**  
**6 Degree B.T.D.C. with Automatic**

**VACUUM ADVANCE LINE**

12370-AL



12370-CL

12370-BL

12370-AL	Vacuum Advance Line 55 with Fitting.....	8.35
12370-ALSS	As Above with Stainless Steel Line.....	12.50
12370-BL	Vacuum Advance Line 56 with Fitting Two Lines...	16.75
12370-BLSS	As Above with Stainless Steel Line.....	26.70
12370-CL	Vacuum Advance Line 57 with Fitting.....	9.25
12370-CLSS	As Above with Stainless Steel Line.....	13.95
12370-EL	Vacuum Advance Line Dual 4-57 .....	5.50
12370-ELSS	As Above with Stainless Steel Line.....	8.25



12390

**Use Rivet 61489-S Distributor Gear to Shaft**

*12390	Gear Distributor.....	Call
--------	-----------------------	------



SP431

12476

SP431	Spark Plugs Motorcraft.....	2.75
12476	Oil Seal Distributor Shaft Available.....	19.95
18954	<b>Band - Aluminum, Used Around 12297-B Grommets</b> <b>On 55 and Early 56's .....</b>	<b>2.35</b>

**1955/1956 DISTRIBUTOR PARTS**

12106-A	Distributor Cap .....	16.69
12120-A	Bushing Distributor Shaft.....	15.52
*12127-A	Distributor Assembly 1955.....	Call
*12127-B	Distributor Assembly 1956.....	Call
12144-A	Clamp Distributor Cap .....	7.65
12145	Rivet Terminal Hold-down Clamp .....	1.75
*12146-A	Snap Ring Distributor Breaker Plate .....	5.25
*12151-A	Breaker Plate .....	Call
12171-A	Point Set .....	10.25
*12175-A	Shaft Distributor.....	Call
*8EQ12192	Spring Distributor Weight Secondary.....	8.00

H  
I  
L  
L  
S  
  
T  
H  
U  
N  
D  
E  
R  
B  
I  
R  
D  
  
C  
E  
N  
T  
E  
R

**1955/1956 DISTRIBUTOR PARTS  
CONTINUE FROM PAGE 78**

*7RA12192	Spring Distributor Weight Primary	9.00
*A8TZ12192A	Spring Distributor Diaphragm	Call
12200-A	Rotor Distributor	8.90
*12213	Retainer Rotor Button	4.10
12216	Wire Distributor Primary Terminal Replacement Eliminates Troublesome Bolt Connection	10.45
12216-A	Wire Distributor Primary Terminal	3.00
*12233-A	Bushing Outer Distributor Primary	5.00
*12234-A	Washer Inner Primary Terminal	3.50
12264-A	Wire Point Ground	2.65
*12270	Clamp Distributor Hold-down	Call
12300-A	Condenser	10.55
*12370-A	Diaphragm Distributor Vacuum Control 1955 New Old Stock	Call
12370-SR5	Diaphragm Distributor Vacuum Control 1955 Rebuilt	100.00
	Core Charge	75.00
*12370-B	Diaphragm Distributor Vacuum Control 1956 New Old Stock	Call
12370-SR56	Diaphragm Distributor Vacuum Control 1956 Rebuilt	160.00
	Core Charge	75.00
*12390	Gear Distributor Driven	Call
12476	Seal Distributor Shaft	19.95
17365-A	Cable Tachometer 55	35.30
17365-B	Cable Tachometer 56	36.90
17374	Gear Tachometer Driven	37.00
*17377	Gear Tachometer Driving	90.00
17383	O-Ring Seal Tachometer Cable	1.25
61489-S	Pin Distributor Driven Gear	1.00
310141-S	Oil Cup & Cover	6.15
350032-S	Screw Distributor Primary Terminal	6.00
*352153-S	Washer Distributor	Call
355067-S	Screw Distributor Condenser & Wire	0.30
353610-S	Retainer Diaphragm Rod	1.00
354132-S	Pin Tachometer Drive Gear	0.50

**\*Call for Prices and Availability  
1957 DISTRIBUTOR PARTS**

12106-B	Distributor Cap	10.95
B7A12106A	Distributor Cap Ford Motorcraft	27.30
12120-B	Bushing Distributor Shaft	15.52
*12127-C	Distributor Assembly	Call
12144-B	Clamp Distributor Cap	6.00
12145	Rivet Terminal Hold-down Clamp	1.75
*12146-B	Snap Ring Distributor Breaker Plate	Call
*12151-B	Breaker Plate 4V 57	Call
*12151-C	Breaker Plate Supercharger 57	Call
12171-B	Point Set	14.00
B8Q12171A	Point Set Ford Motorcraft	27.50
12171-C	Point Set Dual Point-Pair	26.48
*12175-B	Shaft Distributor	Call
*12177	Cam Retainer	6.00
*12179	Washer Distributor Driven Gear Thrust	3.00
*12188	Weight Assembly	25.00
*B7A12191A	Spring Distributor Weight Secondary 4V	Call
*B7A12191B	Spring Distributor Weight Secondary Dual-4	Call
*B7A12191D	Spring Distributor Weight Secondary S/C	Call
*B7A12192A	Spring Distributor Weight Primary 4V-Dual-4-S/C	Call
*B7AZ12191A	Spring Distributor Weight Diaphragm 4V	Call
*B7AZ12191B	Spring Distributor Weight Diaphragm Dual-4 S/C	Call
12200-B	Rotor Distributor	9.92
D5PZ12200A	Rotor Button Ford Motorcraft	18.58
*12202-A	Stop Distributor Advance 56	4.00
*12202-B	Stop Distributor Advance 57	6.00
<b>*Limited Availability – Call for Proper Application</b>		
*12210-A	Cam Assembly Distributor	Call
*12210-B	Cam Assembly S/C	Call
12216-B	Wire Distributor Primary Terminal	3.00
12230	Screw Points and Condenser	0.60

*12233-B	Bushing Outer Primary Terminal	8.00
*12234-A	Washer Inner Primary Terminal	3.50
12264-B	Wire Point Ground	3.00
*12270	Clamp Distributor to Cylinder Head	Call
12300-B	Condenser Distributor	9.15
*B7A12300C	Condenser Ford Motorcraft	15.75
12370-C	Diaphragm Distributor Vacuum New	50.00
12370-CR	Diaphragm Distributor Vacuum Rebuilt	40.00
	Core Charge	50.00
*12390	Gear Distributor	Call
12476	Seal Oil Distributor Shaft	19.95
17374	Gear Tachometer Driven	37.00
17365-B	Cable Tachometer	37.00
*17377	Gear Tachometer Driving	90.00
17383	O-Ring Seal Tachometer Cable	1.25
61489-S	Pin Distributor Driven Gear	1.00
310141-S	Oil Cup & Cover	6.15
350032-S	Screw Distributor Primary Terminal	6.00
351826-S	Retainer Diaphragm Rod	1.00
*352153-S	Washer Distributor	Call
354132-S	Pin Tachometer Drive Gear	1.00
359546-S	Fitting Vacuum Advance	15.00

**\*Call for Price and Availability  
ELECTRICAL LAMPS & BODY  
NO DISCOUNT ON HEAD LAMP BULBS**

*13007	Headlight Bulb Originals	Call
13007-A	Headlight Bulb 6V Halogen	12.99
13007-AS	Headlight Bulb 6V Halogen with FOMOCO Script	26.95
13007-B	Headlight Bulb 12V Halogen	14.99
13007-BS	Headlight Bulb 12V Halogen with FOMOCO Script	19.95



13008



13008-A

*13008	Headlamp Bucket NOS or Used	Call
K13008	Kit Headlamp Buckets to Fenders	4.50
13008-A	Retainer Clip for H/L Door Lower	7.50



13008-T



13015

13008-T	Retainer Clip for Headlamp, Attaches to Top of Headlamp Bucket with Pop Rivets (included)	9.95
13015	Ring Headlamp Retaining (See 31037-S7 Screw Headlamp Retainer)	14.90



13A024-A



13A024-B

13A024-A	Dimmer Switch 55/56	25.90
13A024-B	Dimmer Switch 57	39.45

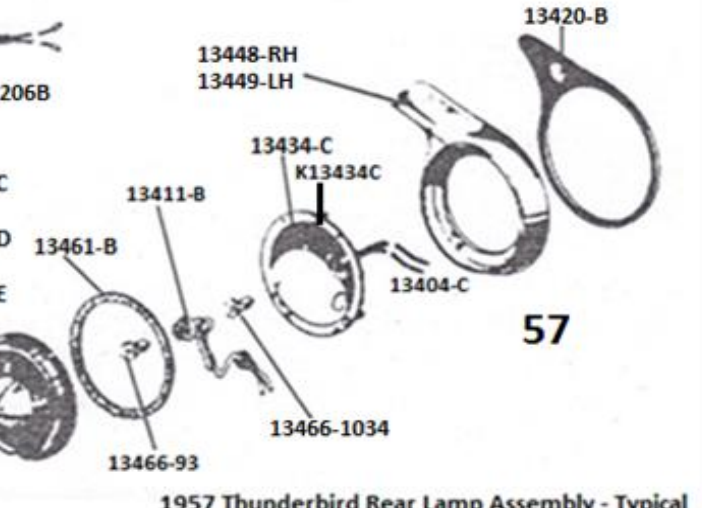
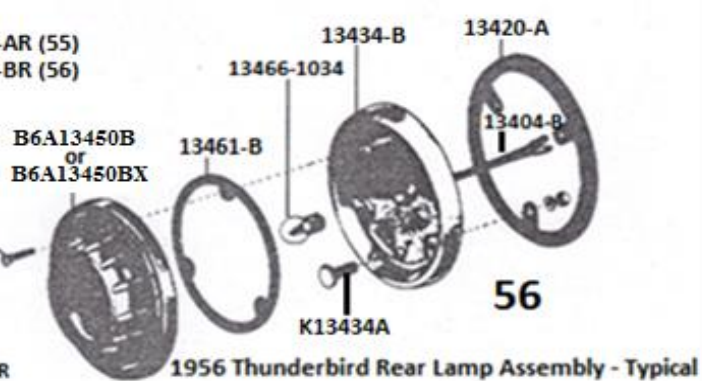
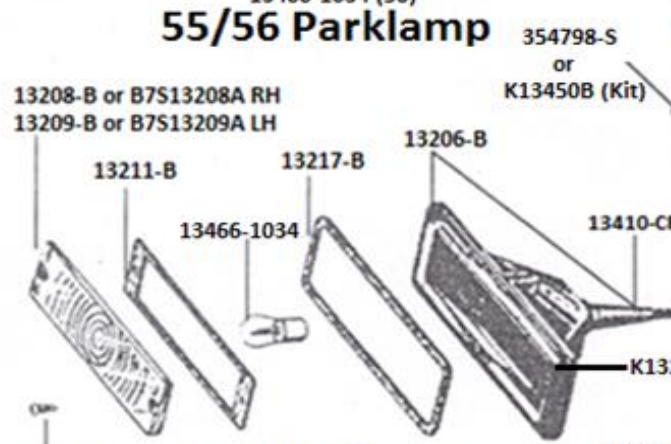
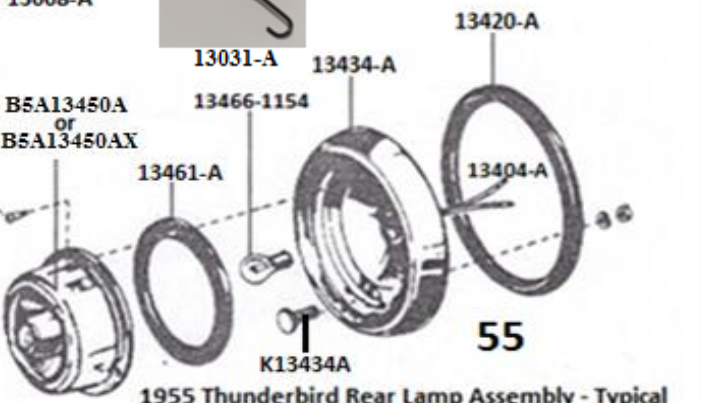
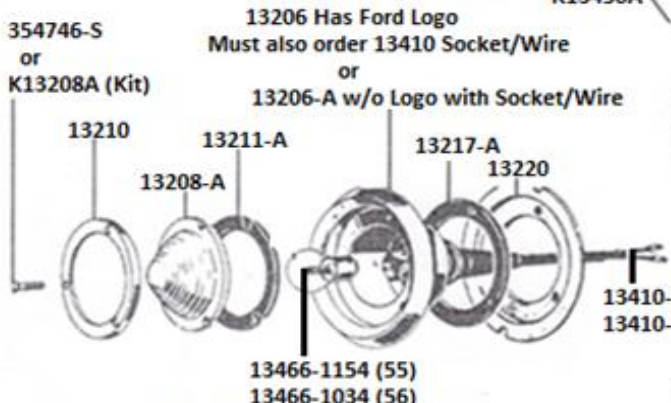
**\*Limited Availability  
COMING SOON TO OUR WEBSITE  
[WWW.HILLSRESTO.COM](http://WWW.HILLSRESTO.COM)  
ONLINE PARTS ORDERING  
ALSO CHECK OUT OUR CATALOG ONLINE  
866-949-1956 7:00 AM – 5:30 PM EST**

H  
I  
L  
L  
S  
  
T  
H  
U  
N  
D  
E  
R  
B  
I  
R  
D  
  
C  
E  
N  
T  
E  
R



**HILL'S THUNDERBIRD CENTER 866-949-1956**

### 55/57 Thunderbird Headlamp Bucket





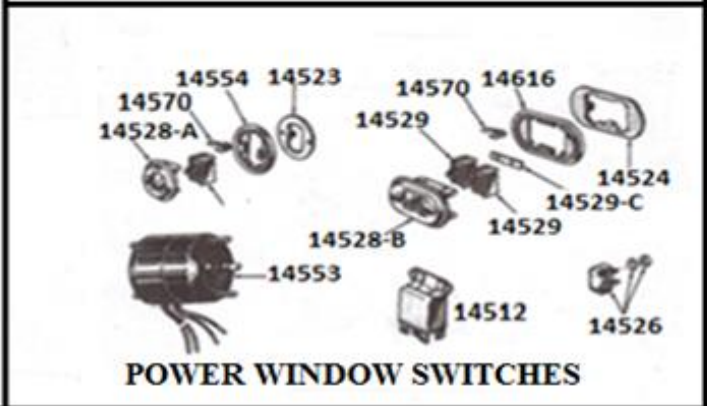
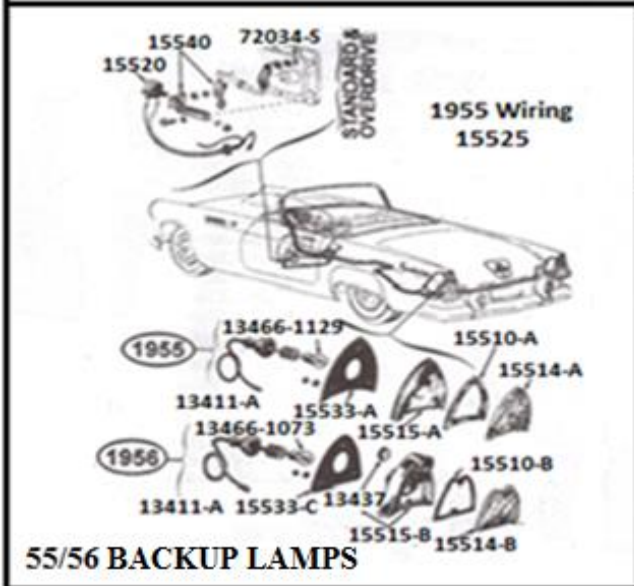
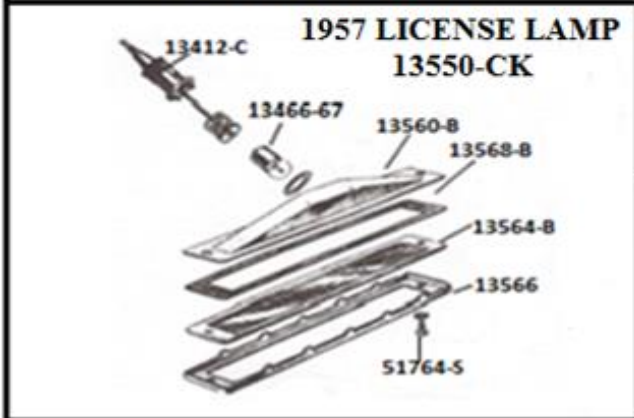
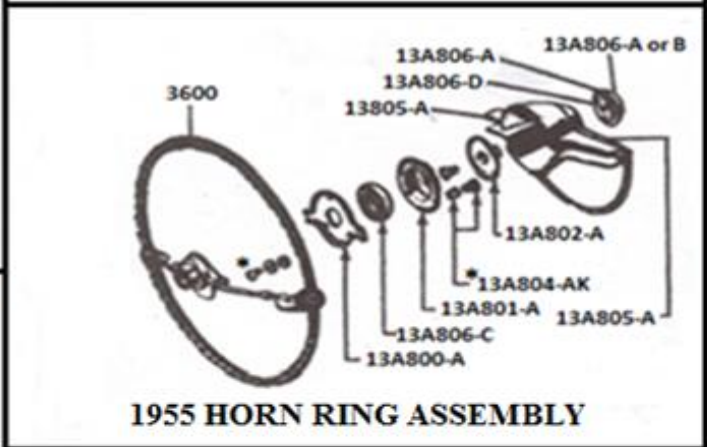
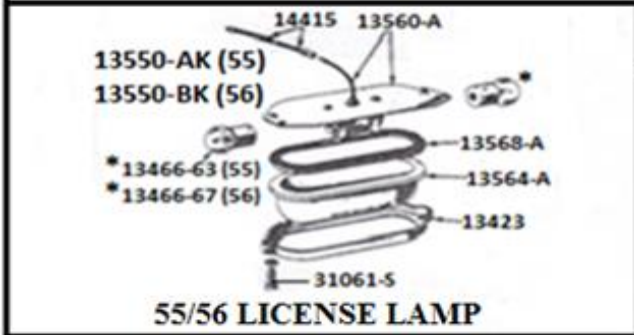
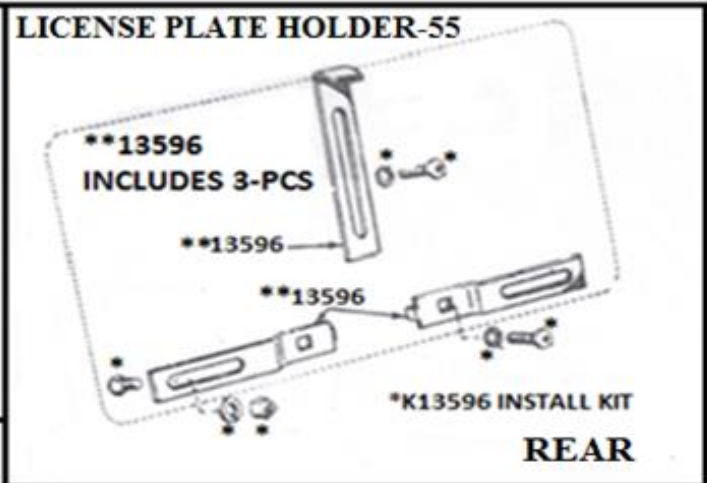
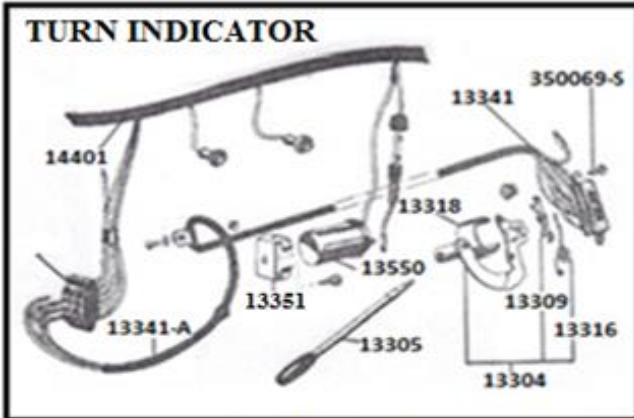
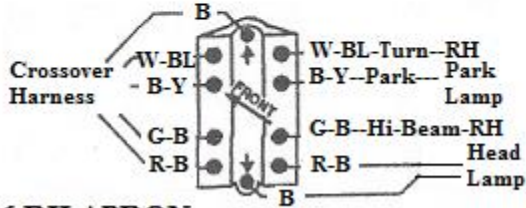
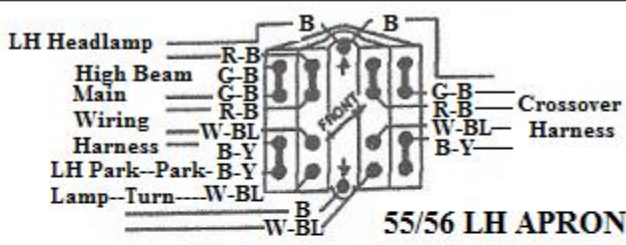
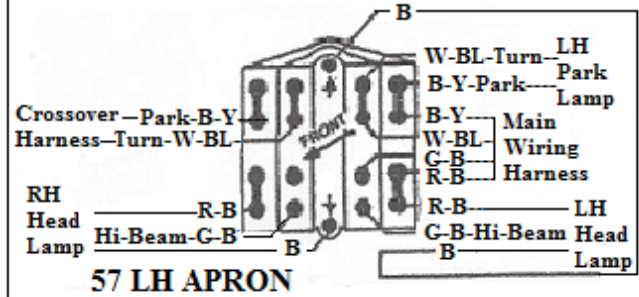
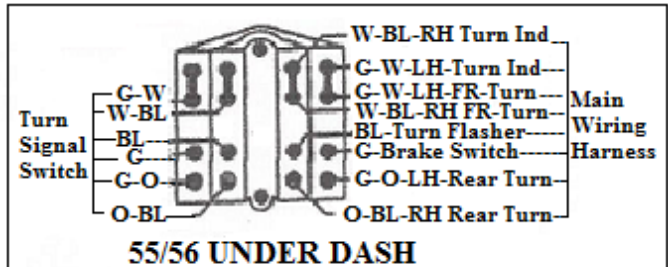


ILLUSTRATION WIRING CAR BODY

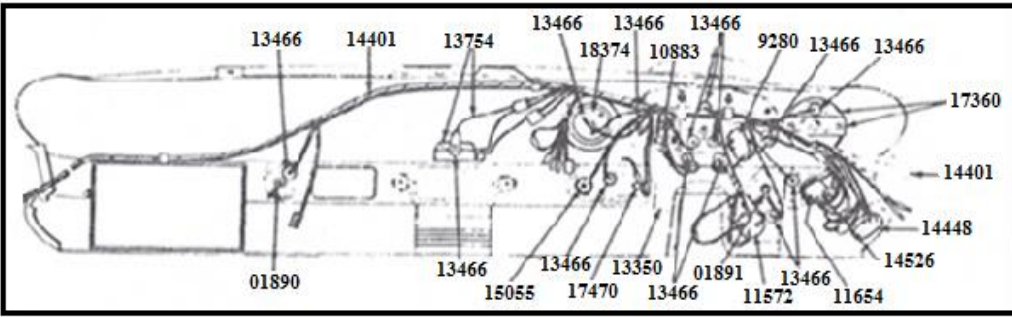
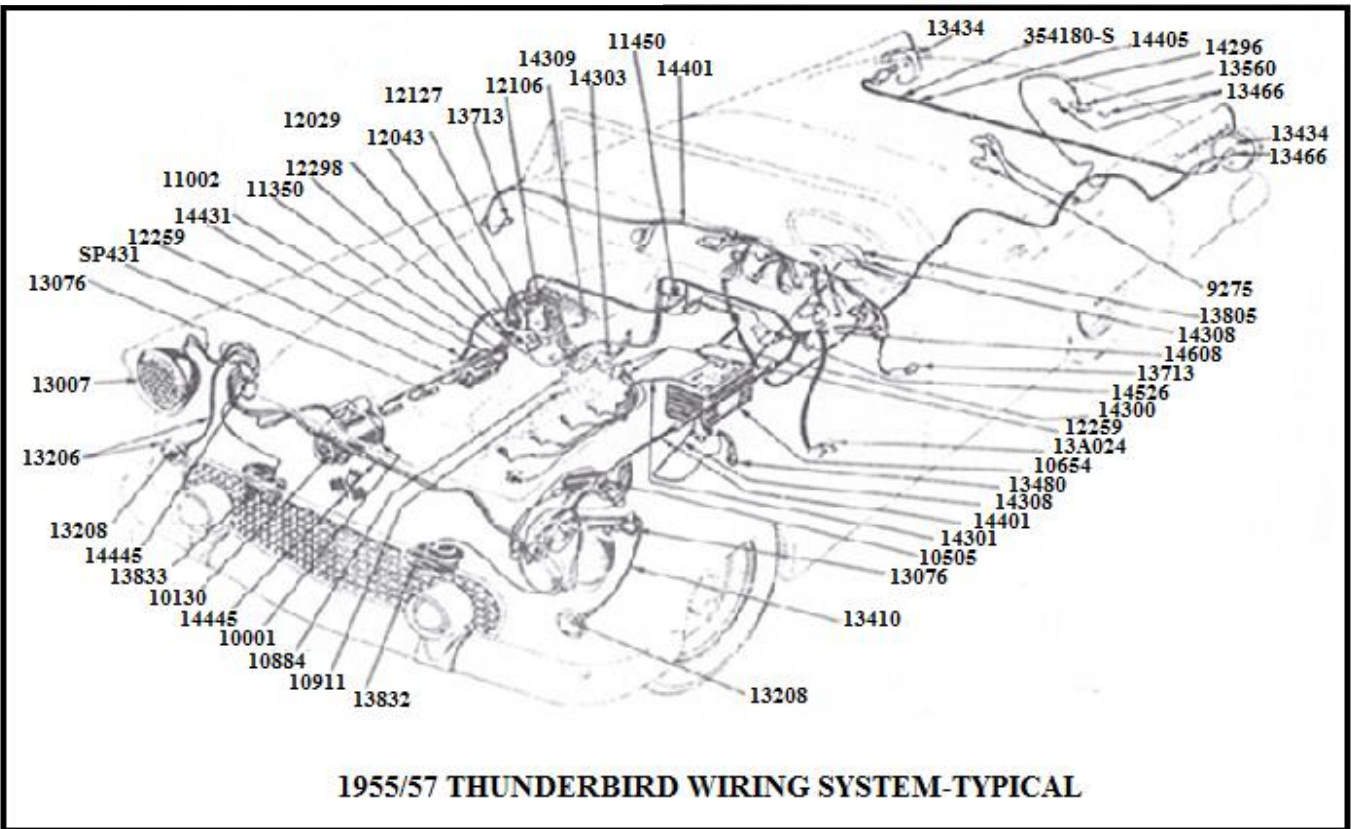


JUNCTION BLOCK WIRING DIAGRAMS

COLOR KEY: B-BLACK, BL-BLUE, G-GREEN  
O-ORANGE, R-RED, W-WHITE, Y-YELLOW



H  
I  
L  
L  
S  
  
T  
H  
U  
N  
D  
E  
R  
B  
I  
R  
D  
  
C  
E  
N  
T  
E  
R



**HEAD LAMP / PARK LAMP**



13031-A

13032



13032-B

13063-A

13031-A	Spring Headlamp Bucket .....	2.46
13032	Screw Headlamp Adjusting .....	0.49
13032-B	Nut & Bracket Headlamp Adjusting .....	1.00
13044	Gasket Headlamp Bucket to Fender .....	3.45



13064-R

13098

*13063	Headlamp Brow/Door Fair lane Style .....	Call
13063-A	Trim 1955 Fair lane Eyebrow (Each).....	75.00
*13064-A	Headlamp Brow New Old Stock 55 .....	Call
*13064-B	Headlamp Brow Used Original 55 .....	Call
*13064-C	Headlamp Brow New Old Stock 56/57 .....	Call
*13064-D	Headlamp Brow Used Original 56/57 .....	Call
K13064	Kit Headlamp Door to Bucket (2 pieces) .....	2.00
13064-R	Headlamp Door Repair Kit. Kit to repair broken prong on Top inside of headlamp door. Includes clip, adhesive, and Instructions (Repairs one side) .....	12.00
13098	Clip Headlamp Door Retaining Lower 4/car (Price each) .....	6.00



13206-A

13206-B

13206	Park lamp Body Housing Only 55/56 with Ford Logo, Made from Original Ford Tooling.....	69.95
13206-A	Park amp Body with Pigtail 55/56 w/out Ford Logo .....	44.50
13206-AK	Park Lamp Body with Pigtail 55/56 Includes: 13206A K13208, 13208A, 13210, 13211A, 13217A .....	69.95

**PARK LAMP WITH CORRECT SOCKET & WIRE**

13206-K55R	1955 RH Side with FOMOCO Logo-Lamp & Wire..	92.95
13206-K55L	1955 LH Side with FOMOCO Logo-Lamp & Wire...	92.95
13206-K56R	1956 RH Side with FOMOCO Logo-Lamp & Wire..	89.95
13206-K56L	1956 LH Side with FOMOCO Logo- Lamp & Wire..	89.95
<b>Park lamp with 13208A, K13208A, 13210, 13211A, 13217A, 13466</b>		
13206-C55R	1955 RH Complete Assembly 13466-1154 Bulb .....	120.95
13206-C55L	1955 LH Complete Assembly 13466-1154 Bulb .....	120.95
13206-C56R	1956 RH Complete Assembly 13466-1034 Bulb .....	117.95
13206-C56L	1956 LH Complete Assembly 13466-1034 Bulb .....	117.95
<b>13206-ASHG P/Lamp Body Housing Only 55/56 w/out Ford Logo</b>		
13206-B	Park lamp Body with Pigtail 57 .....	59.95
13206-BKR	57 Park Lamp Body with Wire, Also Includes: 13208B 13211B, 13217B, 13466-1034, K13206B, K13208B .....	74.95
13206-BKL	Same as Above LH Side with 13209B.....	74.95
13206-CKR	Same as Above RH with Ford Logo Lens .....	79.95
13206-CKL	Same as Above LH with Ford Logo Lens .....	79.95

**PARK LAMP / TURN SIGNAL**

13208-A	Lens Parking Lamp 55/56 with FOMOCO Logo.....	7.95
K13208A	Kit Park lamp Lens to Lamp Body 55/56.....	3.00
13208-B	Lens Park lamp without Ford Logo RH 57.....	11.25
B7S13208A	Lens Park lamp with Ford Logo RH 57 .....	15.20
13209-B	Lens Park lamp without Ford Logo LH 57 .....	11.25
B7S13209A	Lens Park lamp with Ford Logo LH 57.....	15.20
K13208B	Kit Park lamp Lens to Body 57 .....	2.00
13210	Retainer Park Lamp Lens 55/56 .....	10.50
13211-A	Gasket Parking Lamp Lens 55/56.....	1.60
13211-B	Gasket Parking Lamp Lens 57 .....	2.00
13217-A	Pad Park Lamp Body to Fender 55/56.....	4.15
13217-B	Pad Park Lamp Body to Bumper 57 .....	2.05



13220

13304-A

13220	Retainer Park Lamp Body .....	20.95
13304-A	Plate Assembly Turn Indicator Switch 55.....	44.95
13304-B	Plate Assembly Turn Indicator Switch 56/57.....	47.95



**13305-A, 13305-B, & 13305-BRX (TOP TO BOTTOM)**

13305-A	Handle Turn Signal Black End 55.....	15.70
13305-B	Handle Turn Signal Black End 56/57 .....	14.65
13305-BRX	Handle Turn Signal Black End 56/57 .....	16.00
13309	Use with 3600-R Steering Wheel 1" Shorter .....	5.95
13316	Pawl Turn Indicator Switch Plate .....	2.05
13318	Spring Turn Indicator Switch Plate.....	2.05
	Cam Turn Signal Cancelling Goes on Bottom of Steering Wheel .....	10.45
*13327	Wire Guard Steering Column Used .....	15.00



13341-A

13351

13341-A	Turn Signal Switch Assembly 55/57 Includes 13341-B .....	94.50
13341-B	Sleeve Kit to Make Stud on Original 13341 Work Properly on 55/57 Thunderbirds .....	2.05
13343-A	Spring Conical Turn Signal Switch to Pawl Use with Original Switch.....	3.10
13343-B	Spring Conical Turn Signal Switch to Pawl Use with Replacement Switch .....	3.10
*13351	Bracket Turn Signal Flasher Mounting Used Original .....	20.00
13350-A	Flasher Turn Signal 6V 55 Replacement .....	Call
13350-AA	Flasher Turn Signal 6V 55 Like Original .....	Call
13350-B	Flasher Turn Signal 12V.....	5.90
13350-HK	Four-Way Hazard Kit.....	140.00
13420-A	Gasket Rear Lamp Mounting 55/56 .....	5.20
13420-B	Gasket Rear Lamp Mounting 57 .....	2.90
13423	Retainer License Lamp Lens 55/56 .....	15.70
13434-A	Housing T/Lamp and Socket Chrome 55 .....	42.95
13434-B	Housing T/Lamp and Socket Chrome 56 .....	42.95
K13434A	Kit Rear Lamp Body to Qtr. 55/56.....	1.50

HILL'S THUNDERBIRD CENTER

**TAIL LAMP / BULBS**



**13434-C (This Item should be Gold Cadmium)**

- \*13434-C Housing Tail Lamp 57 Gold Cadmium Used Original Call
- 13437 Reflector Backup Housing 56..... 5.25



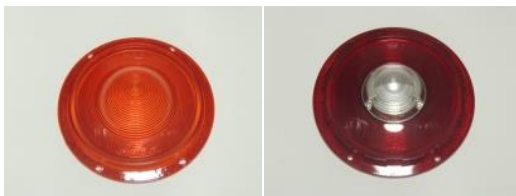
**13449-A Sharp Edge      13449-B Flat Edge**

- \*13448 Taillight Brow RH 57 ..... Call
- \*13449 Taillight Brow LH 57..... Call

**\*There were two types of Rear Tail Lamp Brows: A sharp, outer contoured edge, or a smoother contoured outer edge.**



**B5A13450A      B6A13450A**



**13450-C      13450-E**

- B5A13450A Lens Rear Lamp with Ford Script 55 ..... 25.00
- B5A13450AX Lens Rear Lamp Replacement 55..... 16.00
- B6A13450A Lens Rear Lamp with Ford Script 56..... 35.00
- B6A13450AX Lens Rear Lamp Replacement 56..... 22.00
- 13450-C Lens Rear Lamp without Ford Script Without Backup Lights 57 ..... 39.95
- 13450-D Lens Rear Lamp without Ford Script with Backup Lights 57 ..... 44.95
- 13450-E Lens Rear Lamp with Ford Script with Backup Lights..... 51.95

**1955 – 1956 – 1957 LED TAIL LAMP SETS**

All styles include a PAIR of LED assemblies, instructions, and new gaskets. The 1955 assemblies replace your original lens. 1955 6-volt includes electronic flasher and front LED bulbs. The 1956 and 1957 kits replace only your bulb and flasher.

**PRICES SUBJECT TO CHANGE WITHOUT NOTICE  
\*Limited Availability**

**TAIL LAMP / BULBS**



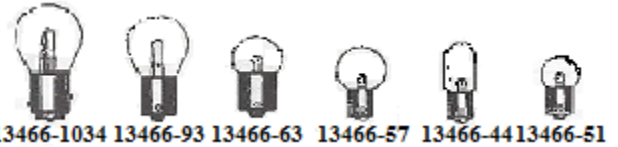
**13450ALED12**

- 13450ALED6 Lens – Rear Lamps – with Integral LED Assembly 55 - 6v Kit includes Front LED, Electronic Flasher, Gaskets and Instructions ..... 179.95
- 13450ALED12 Lens – Rear Lamps – with Integral LED Assembly 55 - 12v with Gaskets and Instructions ..... 179.95

**'56 and '57 Style Available in Standard or Sequential**  
The 56 and 57 style LEDs simply replace your original bulb with a 135 LED board and uses your original lens. Sequential flashing turn signal starts in the center and adds concentric rings of LEDs.  
**1957 style is compatible with original backup lamps.**

- 13456LA 56 Rear LED Bulbs – Standard Flash with Gaskets, Instructions, and Electronic Flasher ..... 145.95
- 13456LB 56 Rear LED Bulbs – Sequential Flash with Gaskets, Instructions, and Electronic Flasher ..... 159.95
- 13466LA 57 Rear LED Bulbs – Standard Flash with Gaskets, Instructions, and Electronic Flasher ..... 145.95
- 13466LB 57 Rear LED Bulbs – Sequential Flash with Gaskets, Instructions, and Electronic Flasher ..... 159.95

- 13461-A Gasket Tail Light Lens 55 ..... 2.40
- 13461-B Gasket Tail Light Lens 56..... 2.40
- 13461-C Gasket Tail Light Lens 57..... 2.85



**BULB RESERVE KIT**

- 13465-A 55 (1) each 44, 51, 55, 63, 81, 1129, 1154 ..... 13.30
- 13465-B 56 (1) each 57, 67, 1034, 1073, 1445..... 7.95
- 13465-C 57 (1) each 57, 67, 93, 1034, 1445, 1891 ..... 7.95

**13466-LED 1157 LED BRIGHT BULB 12V ..... 35.00**

**COMPLETE BULB KIT**

**Does Not Include 13007'S Bulbs**

- 13465-AK 55-Bulb Kit Complete 24 Pieces ..... 45.40
- 13465-BK 56-Bulb Kit Complete 24 Pieces ..... 24.50
- 13465-CK 57-Bulb Kit Complete 27 Pieces ..... 26.40
- 13466-44 Bulb Radio – 55..... 1.98
- 13466-51 Bulb Oil, Charge, Transmission, T/S Indicator – 55 1.71
- 13466-55 Bulb Hi-Beam, Instrument Panel – 55..... 1.70
- 13466-57 Bulb Hi-Beam, Instrument Panel, Oil and Charge Turn Signal Indicator 56/57 ..... 0.80
- 13466-63 Bulb License Lamp – 55 ..... 2.33
- 13466-67 Bulb Courtesy Lamp, License Lamp – 56/57 ..... 0.90
- 13466-81 Bulb Courtesy Lamp – 55 ..... 2.24
- 13466-93 Bulb Backup – 57 ..... 1.70
- 13466-1034 Bulb Parking Lamp, Rear Tail Lamp – 56/57 ..... 1.50
- 13466-1073 Bulb Backup – 56 ..... 1.65
- 13466-1129 Bulb Backup – 55 ..... 2.64
- 13466-1154 Bulb Parking Lamp, Rear Tail Lamp – 55 ..... 3.44
- 13466-1445 Bulb Transmission – 56/57 ..... 1.30
- 13466-1891 Bulb Radio – 56/57..... 1.00

H  
I  
L  
L  
  
T  
H  
U  
N  
D  
E  
R  
B  
I  
R  
D  
  
C  
E  
N  
T  
E  
R

**BRAKE SWITCH / LICENSE LAMP / HORN**



	<b>13480</b>		<b>13480-MK</b>	
13480	Switch Brake Light .....	9.85		
13480-W	Pigtail Green Wire for 13480 Switch Requires-2 .....	3.00		

**Mechanical Brake Light Switch**

This kit will allow you to activate your brake lights with just slight pressure on the pedal. Mounts under dash, out of sight. Includes switch, mounting bracket, & instructions.

<b>13480-MK</b>	Switch Brake Light Kit .....	<b>31.45</b>
-----------------	------------------------------	--------------



	<b>13489-A</b>		<b>13489-B</b>	
13489-A	Sleeve Rear Lamp Lens 57 without Backup .....	22.95		
13489-B	Sleeve Rear Lamp Lens 57 with Backup .....	22.95		



	<b>13535</b>		<b>13550-CK</b>	
13535	Cover Plate Headlamp Dimmer Switch .....	39.95		
13550-AK	License Lamp Assembly 55 .....	62.99		
K13550A	Kit License Lamp Assembly to Car 55/56 .....	1.20		
13550-BK	License Lamp Assembly 56 .....	62.99		
K13550A	Kit License Lamp Assembly to Car 55/56 .....	1.20		
13550-CK	License Lamp Assembly 57 .....	73.49		
K13550C	Kit License Lamp Assembly to Car 57 .....	1.00		

**ELECTRICAL LAMPS & BODY**

13560-A	Body Rear License Lamp 55/56 .....	34.45
13560-B	Body Rear License Lamp 57 .....	26.94
13564-A	Lens Rear License Lamp Glass 55/56 .....	17.95
13564-B	Lens Rear License Lamp 57 .....	14.95
13566	Retainer Rear License Lamp 57 .....	19.32
13568-A	Gasket Rear License Lens 55/56 .....	1.70
13568-B	Gasket Rear License Lens 57 .....	1.70



	<b>13596</b>		<b>13713</b>	
13596	License Plate Holder Rear 55 3 piece .....	10.45		
13668	Gasket License Light to Lamp Body 57 .....	0.70		
13713	Switch Map Lamp in Hinge Pillar .....	7.20		

**MAP LIGHT / HORN / STEERING**



	<b>13753</b>		<b>13754-A</b>		<b>13765</b>	
13753	Nut Wiper Control & Blower Switch 55/56 .....	12.95				
13754-A	Switch Dash Light with Leads & Rivets .....	9.90				
*13754-H	Housing Dash Lamp Used Original .....	Call				
13761	Lens Dash Map Lamp .....	5.15				
13765	Housing Map Light Chrome .....	20.95				
13796-S	Socket & Wire Map Light .....	8.90				



**13754-H  
MAP LIGHT  
HOUSING**

**1955 HORN RING KIT**



**13A799-P Shown**

13A799-M	Kit Horn Ring 55 All Parts Needed to Complete your Horn Ring M/S..	189.00
13A799-P	Kit Horn Ring 55 All Parts Needed to Complete your Horn Ring P/S ..	189.00

**HORN & STEERING WHEEL PARTS**

**Original Design Steering Wheels**  
**Original design featuring original material & workmanship.**

3600-D	56/57 Black .....	319.95
3600-E	56 Peacock .....	319.95
3600-F	56 Red .....	319.95
3600-G	56 Buckskin .....	319.95
3600-H	56 Sage Green .....	319.95
3600-I	57 Red .....	319.95
3600-J	57 White .....	319.95
3600-K	57 Blue .....	319.95
3600-M	57 Green .....	319.95
3600-X	56/57 Unpainted .....	319.95
*3600-A	Steering Wheel Used Original 1955 .....	Call
*3600-B	Steering Wheel Used Original 56/57 .....	150.00

**1955 HORN RING PARTS**



Do not attempt to "Stake" The (13A805-B) into the Horn Ring casting as the Originals were as the tabs will break. We recommend holding them in place with a two part epoxy. Also it may be Necessary to open the slots Slightly to install these tabs

**13805-A Horn Ring Reproduction,  
Made in the USA, from Original Ford Tooling**

13805-A	Horn Ring 1955-Chrome .....	346.40
---------	-----------------------------	--------

H  
I  
L  
L  
S  
  
T  
H  
U  
N  
D  
E  
R  
B  
I  
R  
D  
  
C  
E  
N  
T  
E  
R

1955 HORN RING PARTS



13A800-A



13A801-A



13A802-A



13A803-A



13A804-A



13A804-AK



13A805-A



13A805-B



13A806-A



13A806-B



13A806-C



13A806-D



13A809-A

1956/1957 HORN RING PARTS



13805



3672



13A800-B



13A801-B



13A804-BK



13A807



13A806-E



13A809-B



13A809-C



13A810-B



13A810-C

(56 Chrome Background) (57 Black Background)

3672	Insulator- Horn Ring-56/57-Rubber.....	1.25
*13805-B	Horn Ring Used Original 56/57 without Power Steering.....	100.00
*13805-BC	Horn Ring Used Original 56/57 Re- chromed Without Power Steering.....	300.00
*13805-C	Horn Ring Used Original 56/57 With Master Guide Power Steering.....	150.00
*13805-CC	Horn Ring Used Original 56/57 Re- chromed with Master Guide Power Steering.....	350.00
13A800-B	Plate Attaching Horn Ring 56/57 .....	15.95
13A801-B	Contact Plate Horn Ring 56/57 .....	15.95
13A804-BK	Screw & Grommet Kit Horn Ring 56/57 .....	9.95
13A807	Spring Horn Ring 56/57 .....	2.95
13A806-E	Insulator Rubber Horn Ring 56/57 .....	5.95
13A809-B	Medallion Horn Ring Center Plastic 56 Silver Background .....	25.25
13A809-C	Medallion Horn Ring Center Plastic 57 .....	25.25
13A810-B	Medallion Background Plate 56 .....	15.95
13A810-C	Medallion Background Plate 57 .....	15.95

13805-A	Horn Ring 55 Reproduction of Original, Chrome .....	346.40
13A800-A	Plate Attaching Horn Ring 55 .....	19.95
13A801-A	Contact Plate Horn Ring 55 .....	19.95
13A802-A	Spacer Plate Horn Ring 55 .....	19.95
13A803-A	Ribbed Trim Plate with Gasket Horn Ring 55 .....	29.95
13A804-A	Medallion Retaining Plate Lower 55 .....	14.95
13A804-AK	Screw & Grommet Kit Horn Ring 55 .....	9.95
13A805-A	Clear Plastic Horn Ring 55 .....	20.95
13A805-B	Retaining Clips End Tabs for 13A805-55 Each ..	25.00
13A806-A	Medallion Retainer Horn Ring Upper M/S 55 .....	21.95
13A806-B	Medallion Retainer Horn Ring Upper P/S 55 .....	21.95
13A806-C	Insulator Rubber Horn Ring 55 .....	7.95
13A806-D	Grommet Rubber for Medallion Horn Ring .....	2.95
13A809-A	Medallion Horn Ring Center Plastic 55.....	25.25

**HORN**



13830



13831

- 13830 Bracket Horn Mounting RH ..... 10.95
- 13831 Bracket Horn Mounting LH..... 10.95
- K13830 Horn Brackets (13830-13831) to Body (12-pcs).... 2.60

**New Horns like Original**

Snail Horns with Spar ton on Metal Lid  
 Correct Triangular Wire Connector for 55/56 and Early 57  
 Flat Push on Wire Connector for Late 57  
 Low Horn is mounted on Right Hand Side  
 High is mounted on Left



13833-B



13833-D

- 13832-A Horn 6-Volt High Pitch Bell Shape Cover 55 ..... 34.95
- 13832-B Horn 12-Volt High Pitch Bell Shape Cover 56/Early 57 ..... 34.95
- 13832-C Horn 12-Volt High Pitch Flat Cover 57 With Screw-on Eyelet at Wire Connection..... 34.95
- 13832-D Horn 12-Volt High Pitch Flat Cover Late 57 With Slide-on Wire Connection ..... 34.95
- 13833-A Horn 6-Volt Low Pitch Bell Shape Cover 55 ..... 34.95
- 13833-B Horn 12-Volt Low Pitch Bell Shape Cover 56/Early 57 ..... 34.95
- 13833-C Horn 12-Volt Low Pitch Flat Cover 57 With screw-on Eyelet at Wire Connection ..... 34.95
- 13833-D Horn 12-Volt Low Pitch Flat Cover Late 57 With Slide-on Wire Connection ..... 34.95

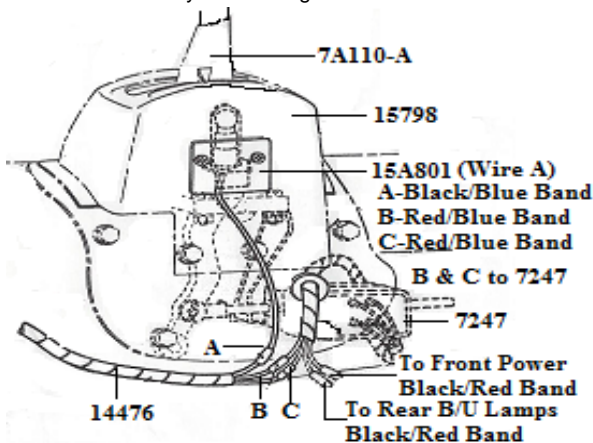


13853-AR

13853-BR

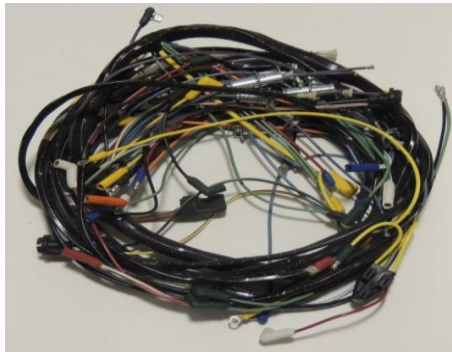
13853-57

- \*13853-A Horn Relay Ford Original 55 6V ..... 75.00
- 13853-AR Horn Relay 55 6-Volt Replacement..... 19.70
- 13853-BR Horn Relay 56 12-Volt Replacement..... 30.20
- 13853-CR Horn Relay 57 12-Volt Replacement..... 24.30
- \*13853-57 Horn Relay 57 like Original ..... 40.00



7247-Neutral Safety Switch Wiring

**ELECTRICAL – WIRING**



**MOST WIRING WILL COME WITH A WIRING SCHEMATIC 1955 WIRING LIST**

**Quality Replacement Wiring for your Thunderbird**

- 13076-AA Headlamp Wiring..... 22.40
- 13404-A Rear Lamp Socket Assembly ..... 11.90
- 13410-AR Park Lamp with Pigtail ..... 19.95
- 13411-A Backup Light Socket..... 12.95
- 13548-R Map Light Socket and Wire..... 11.20
- 13754-A Switch Map Light and Wires with Rivets ..... 9.90
- 14302-C Wire Starter Solenoid to Resister 12-Volt Conversion ..... 7.75
- 14302-R Coil to Distributor Wire..... 4.56
- 14303-AR Engine Ground Wire..... 7.35
- 14308-R Horn Wire..... 17.50
- 14309-AR Heater Switch to Heater Wire ..... 13.60
- 14322-AR Oil Sender Wire..... 6.65
- 14338-R Ignition to Heater Switch Wire with Fuse ..... 13.12
- 14382-A Overdrive Wire ..... 28.35
- 14401-A Main Dash Wiring Harness ..... 409.25

**Main Harness Repair Engine Compartment**

**Splices at Firewall to Refresh Engine Compartment Area**

- 14401-DX Main Harness Repair to Engine Compartment .... 75.00

- 14401-GK Terminal End Repair Kit for Engine Compartment ... 19.20
- 14405-AR Tail Lamp wiring front to Rear..... 74.75
- 14415-A License Plate Wire ..... 10.45
- 14445-AR Crossover Harness Front ..... 49.95
- 14476-R Neutral Safety Switch Wire Harness..... 27.00
- 14547-AW Seat Motor Repair Wire ..... 12.80
- 14590-R Ground Wire for Instrument Panel ..... 10.40
- 14593-A Seat Motor Horizontal Wire..... 18.75
- 14593-B Seat Motor Vertical Wire..... 13.66
- 14626-A Seat Circuit Breaker to Ignition Switch..... 4.16
- 14628-A Starter Solenoid to Circuit Breaker on Firewall ..... 10.40
- 14628-B Breaker on Firewall to Circuit Breaker Under dash Wire ..... 13.20
- 14630-A Power Window Harness Right Hand Door ..... 52.00
- 14631-A Power Window and Seat Harness Left Hand Door .. 68.00
- 14643-AR Power Seat to under dash Wiring ..... 60.00
- 14663-A RH Window Relay to Motor ..... 16.08
- 14689-A Power Seat Switch to Dash Wiring Left Hand Door . 31.85
- 15506-A Backup Light to Switch Wiring Use with Standard Transmission Only ..... 18.80
- 15525-A Backup Light Switch Feed Standard Transmission Only ..... 7.60
- 18527-RA Heater Motor Wire Repair Early Braided..... 11.62
- 18527-RB Heater Motor Wire Repair Late PCV..... 11.30
- 18549-S Temperature Control Panel Lamp Socket ..... 8.75
- 18805-RS Wire Radio Dial Light Feed 55..... 3.75
- 18806-R Radio Wire with Fuse Holder..... 15.70
- 18807 Socket and Wire Original under Dash Radio Speaker to Radio ..... 12.10

\*Limited Availability



**HILL'S THUNDERBIRD CENTER 866-949-1956**

H  
I  
L  
L  
S  
  
T  
H  
U  
N  
D  
E  
R  
B  
I  
R  
D  
  
C  
E  
N  
T  
E  
R

B5S13076A	Headlamp Socket Wire with Grommet .....	29.65
B5S13206AR	Park lamp Socket Front RH.....	32.30
B5S13206AL	Park lamp Socket Front LH.....	32.30
FDH13410A	Tail lamp Socket.....	11.75
B5S13560ALB	License Lamp Wire.....	9.28
B5S13715ALS	Shift Lamp Wire.....	2.54
B5S13754ALB	Map Light Socket.....	11.92
FAC13796AP	Dome Light Map Wire.....	3.64
FDL14302A	Coil to Distributor Wire.....	3.76
14303AR	Engine Ground Wire.....	7.35
B5S14308	Horn Wire.....	21.00
FEA14309A	Heater Switch to Heater Motor Braided.....	13.98
FEA14309AP	Heater Switch to Heater Motor PVC.....	14.34
B5S14382A	Overdrive Wire.....	35.44
B5S14401A	Dash Main Harness.....	479.45
B5S14405B	Body Front to Rear.....	89.70
B5S14445D	Crossover Harness H/L.....	60.24
B5S14476A	Neutral Safety Switch Wire.....	23.24
B5S14486A	Turn Signal Switch Wireless Switch.....	26.72
B14487	Bullet Splice Single Black Sleeved.....	0.74
59A14487B	Doubled Splice 4-Way Brown Sleeved.....	2.46
B5S14590A	Instrument Ground Jumper Wire.....	13.72
B5S14593A	Seat Motor Horizontal Regulator Wire.....	23.44
B5S14593B	Seat Motor Vertical Regulator Wire.....	13.66
FEA14626A	Seat Circuit Breaker to Ignition Switch.....	4.16
FEA14628A	Seat Circuit Breaker to Circuit Breaker Wire.....	13.36
B5S14630A	Electric Window Wire RH.....	78.50
B5S14631A	Electric Window and Seat Wire LH.....	110.86
B5S14643A	Seat Regulator Relay Wire.....	57.34
FEA14663A	Window Relay to Motor RH.....	16.08
FEA14682A	Seat Circuit Breaker to Starter Solenoid.....	7.96
B5S14689A	Seat Regulator Switch Wire.....	51.36
B5S15506A	Backup Light Wire 2-Black/Red Wires.....	19.02
FDR15525A	Backup Light Wire 1-Black/Red Wire.....	8.04
FEA15536ALS	Backup Light Socket Wireless Socket.....	4.36
FEA18527W	Heater Blower Motor Wire Braided.....	11.62
B5S18527W	Heater Blower Motor Wire PVC.....	11.30
FEA18805DL	Radio Dial Light Feed Wire.....	3.40
FEA18805FH	Radio Feed Wire with Fuse.....	23.12
FEA18807	Front Speaker Wire.....	15.10

1956 WIRING LIST

Quality Replacement Wiring for your Thunderbird

13076-AB	Headlamp Wiring.....	22.40
13404-B	Rear Lamp Socket Assembly.....	11.95
13410-BR	Park Lamp Socket with Pigtail.....	22.40
13411-A	Backup Light Socket.....	17.30
13548-R	Map Light Socket and Wire.....	11.20
13754-A	Switch Map Light and Wires with Rivets.....	9.90
14296-B	License Plate Extension Wire.....	8.20
14302-R	Coil to Distributor Wire.....	4.56
14303-AR	Engine Ground to Firewall.....	7.35
14308-R	Horn Wire.....	17.50
14309-BR	Heater Motor to Switch Wire.....	15.20
14322-BR	Oil Sender Wire.....	6.85
14338-R	Ignition to Heater Switch with Fuse.....	13.12
14396-BR	Overdrive Ignition to Relay.....	7.70
14401-B	Main Dash Wiring Harness.....	424.65

Main Harness Repair Engine Compartment

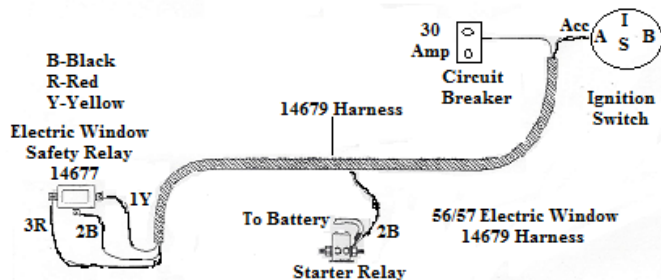
Splices at Firewall to Refresh Engine Compartment Area

14401-EX	Main Harness Repair to Engine Compartment.....	75.00
14401-HK	Terminal End Repair Kit for Engine Compartment..	23.00
14403-BR	Overdrive Wiring Harness.....	29.85
14405-BR	Tail Lamp Wiring without Backup Lights.....	76.25
14405-BRBU	Tail Lamp Wiring with Backup Lights.....	79.25
14415-BR	Rear License Plate Wire with Grommet.....	10.45
14445-BR	Crossover Harness Front.....	49.95
14476-R	Neutral Safety Switch Wire.....	28.25
14495-R	Coil to Resistor Wire.....	5.70
14547-BW	Seat Motor Repair Wire.....	12.80

14590-R	Ground Wire for Instrument Panel.....	10.40
14593-C	Seat Motor Horizontal Wire.....	28.80
14593-D	Seat Motor Vertical Wire.....	22.10
14630-B	Power Window Harness Right Hand Door.....	52.00
14631-B	Power Window Harness Left Hand Door.....	52.00
14631-D	Power Window and Seat Harness Left Hand Door.....	68.00
14643-BR	Power Seat Motors to under dash.....	61.00
14679-R	Power Window Safety Relay Harness.....	24.45
14682-A	Seat Circuit Breaker to Starter Solenoid.....	9.70
14689-B	Power Seat Switch to under dash Left Hand Door.....	36.50
15026-A	Wire Electric Clock Feed with Fuse.....	17.95
15506-B	Backup Light to Switch Wiring Use with Standard Transmission Only.....	23.75
15525-B	Backup Light Switch Feed Standard Transmission Only.....	11.60
18527-RB	Heater Motor Wire Repair Kit.....	16.80
18549-S	Temperature Control Panel Lamp Socket.....	8.75
18805-RB	Radio Dial Light Feed.....	5.25
18806-R	Radio Wire with Fuse Holder.....	15.70
18807	Socket and Wire Original under Dash Radio Speaker to Radio.....	12.10

1956 Authentic Reproduction Wiring

B5S13076AM	Headlamp Socket Wire with Grommet.....	32.06
B6S13206AR	Park lamp Socket Front RH.....	29.65
B6S13206AL	Park lamp Socket Front LH.....	29.65
FDR13410A	Tail lamp Socket.....	14.68
B6S13560ALB	License Light Wire 26".....	14.50
B6S13715ALS	Shift Lamp Wireless Socket.....	4.32
B6S13754ALB	Map Light Socket.....	13.54
FDV14302A	Coil to Distributor Wire.....	5.68
14303AR	Engine Ground Wire.....	7.35
B6S14308A	Horn Wire.....	23.22
FEA14309AM	Heater Switch to Heater Motor.....	20.40
B6S14309B	Ignition Switch to Heater Switch.....	23.68
FEF14322A	Oil Sender to Cowl Wire.....	7.28
B6S14382A	Overdrive Wire.....	43.62
FDR14396A	Ignition Switch to Overdrive Relay.....	6.14
B6S14401A	Dash Main Harness.....	514.80
FEF14405G	Body Front to Rear without Backup Lights.....	114.95
FEG14405H	Body Front to Rear with Backup Lights.....	132.65
B6S14415A	License Lamp Wire 16".....	10.50
B6S14445MU	Crossover Harness H/L.....	60.66
FEF14476A	Neutral Safety Switch Wire.....	31.18
B6S14486A	Turn Signal Switch Wireless Switch.....	33.35
B14487	Bullet Splice Single Black Sleeved.....	0.74
59A14487B	Doubled Splice 4-Way Brown Sleeved.....	2.46
FDR14495A	Ignition Coil to Ignition Resistor.....	4.74
B5S14590A	Instrument Ground Jumper Wire.....	13.72
B6S14593A	Seat Motor Horizontal Regulator Wire.....	32.08
B6S14593B	Seat Motor Vertical Regulator Wire.....	24.60
B6S14630B	Electric Window Wire RH.....	95.50
B6S14631B	Electric Window and Seat Wire LH.....	144.60
B6S14643A	Seat Regulator Relay Wire.....	77.62
B6S14679A	Electric Window Motor Relay to Regulator.....	30.15
FEF14682A	Seat Circuit Breaker to Starter Solenoid.....	9.70
B6S14689A	Seat Regulator Seat Wire.....	53.18
B6A15026A	Electric Clock Feed Wire with Fuse Holder.....	23.52
FDR15536ALS	Backup Light Socket Wireless Socket.....	4.86
FEF18527W	Heater Blower Motor Wire.....	15.56
FEA18805DL	Radio Dial Light Feed Wire.....	5.38
FEA18805FH	Radio Feed Wire with Fuse.....	23.12
FEA18807	Front Speaker Wire.....	15.10







**1957 Authentic Reproduction Wiring**

B7S13076A	Headlamp Socket Wire with Grommet RH.....	28.50
B7S13077A	Headlamp Socket Wire with Grommet LH.....	25.75
B7S13234A	Park lamp & Turn Signal Wire RH/LH.....	24.60
FDR13410B	Tail lamp Socket.....	20.20
FEG13410A	Backup Light Socket.....	19.45
B7S13412A	License Light Socket.....	16.20
B6S13715ALS	Shift Lamp Wireless Socket.....	4.32
B6S13754ALB	Map Light Socket.....	13.54
FDV14302A	Coil to Distributor Wire.....	5.68
FDA14303A	Engine Ground Wire.....	7.35
B7S14305A	Generator to Regulator Wire.....	25.86
B6S14308A	Horn Wire 71".....	23.22
FEA14309AM	Heater Switch to Heater Motor.....	20.40
B6S14309B	Ignition Switch to Heater Switch with Fuse.....	23.68
FEF14322A	Oil Sender to Cowl Wire.....	7.28
B6S14382A	Overdrive Wire.....	43.62
FDR14396A	Ignition Switch to Overdrive Relay.....	6.14
B7S14401A	Dash Main Harness.....	565.00
B7S14405C	Body Front to Rear with Automatic Transmission.....	120.75
B7S14405D	Body Front to Rear with Standard Transmission.....	130.10
B7S14445A	Crossover Harness Early 57 Horn uses Ring Terminals.....	28.25
B7S14445B	Crossover Harness Late 57 Horn uses Push on Terminals.....	30.25
FEF14476A	Neutral Safety Switch Wire.....	31.18
B6S14486A	Turn Signal Switch Wireless Switch.....	33.35
B14487	Bullet Splice Single Black Sleeved.....	0.74
59A14487B	Double Splice 4-Way Brown Sleeved.....	2.46
FDR14495A	Ignition Coil to Ignition Resistor.....	4.74
FEJ14495B	Ignition Coil to Ignition Resistor Dual-4.....	5.96
B6S14593A	Seat Motor Horizontal Regulator Wire.....	32.08
B6S14593B	Seat Motor Vertical Regulator Wire.....	24.60
B7S14630A	Electric Window Wire RH.....	88.90
B7S14631B	Electric Window and Seat Wire LH.....	107.55
B7S14643A	Seat Regulator Relay Wire.....	60.15
B7S14643B	Seat Regulator Relay Wire with Dial-o-Matic Seats.....	184.55
B7S14679A	Electric Window Motor Relay to Regulator.....	33.90
FEF14682A	Seat Circuit Breaker to Solenoid Wire.....	9.70
B7S14774A	Seat Regulator Control Wire with Dial-o-Matic Seats.....	61.84
B6A15026A	Electric Clock Feed Wire with Fuse Holder.....	23.52
FEF18527W	Heater Blower Motor Wire.....	15.56
FEA18805DL	Radio Dial Light Feed Wire.....	5.38
FEA18805FH	Radio Feed Wire with Fuse.....	23.12
FEA18807	Front Speaker Wire.....	15.10

<b>B-14487</b>	<b>Bullet Splice.....</b>	<b>.60</b>
<b>59A-14487B</b>	<b>Splice 4-Way Double.....</b>	<b>2.24</b>

**Replacement Wiring for your Thunderbird  
1957 WIRING LIST**

13076-BRK	Headlamp Wiring RH & LH Set.....	45.00
13404-C	Rear Lamp Socket.....	13.50
13410-CR	Park Lamp Socket with Pigtail.....	21.95
13411-B	Backup Light Socket and Wire.....	20.10
13412-C	License Lamp Wire and Socket.....	9.50
13548-R	Map Light Socket and Wire.....	11.20
13715-B	Shift Lamp Wire.....	4.65
13754-A	Switch Map Light and Wires with Rivets.....	9.90
14302-R	Coil to Distributor Wire.....	4.56
14303-A	Engine Ground to Firewall.....	7.35
14305-R	Generator to Voltage Regulator.....	20.00
14308-R	Horn Wire.....	20.00
14309-BR	Heater Motor to Switch Wire.....	14.60
14322-BR	Oil Sender Wire.....	6.85
14338-R	Ignition to Heater Switch with Fuse.....	13.12
14396-BR	Overdrive Ignition to Relay.....	7.70
14401-C	Main Dash Wiring Harness.....	424.00
14401-FX	Main Harness Repair to Engine Compartment.....	79.85
14401-IK	Terminal End Repair Kit for Engine Compartment With Relay.....	27.00
14401-JK	Terminal End Repair Kit for Engine Compartment Without Relay.....	21.00
14401-KK	Terminal End Repair Kit Horn Relay.....	12.40
14403-BR	Overdrive Wiring Harness.....	29.85
14405-CR	Tail Lamp Harness without Backup Lights.....	78.00
14405-CRBU	Tail Lamp Harness with Backup Lights.....	80.00
14445-CR	Crossover Harness Horn-Park lamp Wire With Ring Terminal for Horn.....	22.80
14445-CS	Crossover Harness Horn-Park lamp Wire With Spade Terminal for Horn.....	22.80
14476-R	Neutral Safety Switch Wire.....	28.15
14495-ER	Coil to Resistor Wire E-Bird.....	5.50
14495-R	Coil to Resistor Wire.....	5.70
14547-BW	Seat Motor Repair Wire.....	12.80
14593-C	Seat Motor Horizontal Regulator Wire.....	32.08
14593-D	Seat Motor Vertical Regulator Wire.....	24.60
14630-C	Power Window Harness Right Hand Door.....	52.00
14631-C	Power Window Harness Left Hand Door.....	58.50
14631-E	Power Window and Seat Harness Left Hand Door.....	74.00
14643-BR	Power Seat Motors to under dash.....	61.00
14643-C	Dial-o-Matic Seat to under dash.....	94.40
14679-R	Power Window Safety Relay Harness.....	24.45
14682-A	Seat Circuit Breaker to Starter Solenoid.....	9.70
14689-B	Power Seat Switch to under dash.....	36.50
14471-R	Dial-o-Matic Vertical Position Motor.....	16.80
14474-R	Dial-o-Matic Relay to under dash.....	42.80
15026-A	Wire Electric Clock Feed with Fuse.....	17.95
15506-B	Backup Light to Switch Wiring Use with Standard Transmission Only.....	23.75
15525-B	Backup Light Switch Feed Standard Transmission Only.....	11.60
18527-RB	Heater Motor Wire Repair Kit.....	16.80
18549-S	Temperature Control Panel Lamp Socket.....	8.75
18805-RB	Radio Dial Light Feed.....	5.25
18806-R	Radio Wire with Fuse Holder.....	15.70
18807	Socket and Wire Radio to Speaker.....	12.10

<b>14300-A</b>	<b>Battery Cable to Solenoid-Plated End 55.....</b>	<b>18.95</b>
<b>14300-B</b>	<b>Battery Cable to Solenoid-Plated End 56/57.....</b>	<b>18.95</b>

<b>Concourse Correct Battery Cable Sets</b>		
<b>Includes cable to solenoid, ground, solenoid to starter</b>		
<b>Does not include 14303</b>		
<b>*14300-C</b>	<b>1955.....</b>	<b>Call</b>
<b>14300-D</b>	<b>1956.....</b>	<b>69.95</b>
<b>14300-E</b>	<b>1957.....</b>	<b>69.95</b>

<b>14303-AR</b>	<b>Engine Ground Wire to Firewall 55/56.....</b>	<b>7.35</b>
<b>14301-A</b>	<b>Battery Cable to Ground-Plated End 55.....</b>	<b>28.16</b>
<b>14301-B</b>	<b>Battery Cable to Ground-Plated End 56.....</b>	<b>18.95</b>
<b>14301-C</b>	<b>Battery Cable to Ground-Plated End 57.....</b>	<b>12.55</b>
<b>14303-A</b>	<b>Engine Ground Wire to Firewall 57.....</b>	<b>7.35</b>

**ENGINE GROUND TO  
FIREWALL - CONCOURS**

<b>14303-B</b>	<b>Engine Ground Wire to Firewall 55/56.....</b>	<b>10.75</b>
<b>14303-C</b>	<b>Engine Ground Wire to Firewall 57.....</b>	<b>10.75</b>

**See Page 73 for Illustrations of Battery Cables**

**HILL'S  
THUNDERBIRD  
CENTER**



14429



14448-A

14429	Fuse Assembly Cigar Lighter.....	24.00
14431-A	Cable Solenoid to Starter 55.....	23.46
14431-B	Cable Solenoid to Starter 56/57.....	20.60



14448-B



14448-C

14448-A	Junction Block Wiring Goes on RH Apron Single Stack 55/56.....	13.15
14448-B	Junction Block Wiring Goes on LH Apron Double Stack 55/57.....	15.75
14448-C	Junction Block Wiring Goes Under Dash 55/56.....	15.95

**\*\*See Page 82 for Junction Block Wiring Diagrams\*\***

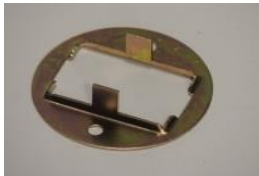


14512-B



14512-BR

14512-A	Relay Window or Power Seat 55 6-Volt Replacement Type 4-Terminal.....	35.00
14512-AN	Relay Assy. Window and Seat 6V 55 Reproduction like Original-Coming Soon .....	Call
14512-B	Relay Window or Power Seat 56/57 12-Volt Replacement Type 4-Terminal.....	35.00
14512-BN	Relay Assy. Window and Seat 12V 56/57 Reproduction like Original-Coming Soon .....	Call
14512-AR	Relay Window or Power Seat 55 6-Volt Like Original but not concourse Correct.....	95.00
14512-BR	Same as Above 56/57 12-Volt.....	95.00
14512-RB	Relay Polarity Reversing for Kit (23208-A-B-C-D) Modern Power Window Kit.....	39.95
14512-RR	Relay Polarity Reversing for Kit (23208-E) Modern Power Window Kit.....	39.95



14523

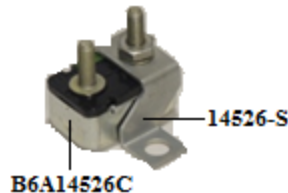


14524

14523	Plate Power Window Switch RH.....	7.30
14524	Plate Power Window Switch LH.....	14.70



14526-C



B6A14526C

14526-A	Circuit Breaker 40AMP P/W & P/S 55.....	7.35
14526-B	Circuit Breaker 30AMP P/W 56/57 P/S 55/57.....	7.35
14526-C	Circuit Breaker 15AMP.....	7.35
14526-D	Circuit Breaker 20AMP P/W & P/S 55.....	7.35

WINDOW SWITCHES / WINDOW MOTORS

B6A14526C Ford Original for Reference Only ..... N/A

14526-AGA1	Fuse – Clock 12V 56/57 (1A).....	1.29
14526-AGA3	Fuse – Clock 6V 55 (3A) .....	1.00
14526-AGC15	Fuse – Overdrive 12V 56/57 (15A) .....	0.69
14526-AGC30	Fuse – Overdrive 6V 55 (30A) .....	0.69
14526-SFE75	Fuse – Radio, Map Light, Turn Signal, Headlight Switch 12V 56/57 (7.5A) .....	0.80
14526-SFE9	Fuse – Map Light, Turn Signal, Headlight Switch 6V 55 (9A) .....	0.89
14526-SFE14	Fuse – Radio 55 6V, 12V Heater 56/57 (14A)....	0.79
14526-SFE20	Fuse – Heater Motor 6V 55 (20A).....	0.79

**Fuses Sold Separately**

**Fuse Kit**

14526-AK	Fuse Kit 6 Fuses 55 6-Volt: Clock, Radio Map, Light, Heater Motor, Turn Signal, Overdrive .....	4.95
14526-BK	Fuse Kit 6 Fuses 56/57 12-Volt: Clock, Radio Map, Light, Heater Motor, Turn Signal, Overdrive .....	5.15



14526-S



14585-C 14585-D B-14486

**Use this Ground Strap for the Seat and Window, Circuit Breakers 14526-A-B-C-D**

14526-S	Ground Strap Use with Circuit Breakers .....	4.25
---------	--	------



14528-A

14528-B

14528-A	Housing P/W Switch Chrome RH .....	24.45
14528-B	Housing P/W Switch Chrome LH .....	31.95

**POWER WINDOW CHROME KIT**

Includes: 14523 Plate, 14524 Plate, 14528A & B Bezels  
14554 Gasket, 14616 Gasket & 6-14570 Clips

14528-CK	Power Window Chrome Kit 55/57 .....	89.95
----------	-------------------------------------	-------



14529-A



14529-B

14529-A	Switch Power Window Regulator 55 Single Type 3-Female Terminals.....	41.95
14529-B	Switch Power Window Regulator 55 Single Type 3-Male Terminals.....	41.95



14529-C



14553

14529-C	Crossover bar LH P/W Switches.....	3.15
---------	------------------------------------	------

HILL'S THUNDERBIRD CENTER

**POWER WINDOW MOTORS**

14547-A	Power Seat Motor 6-Volt New .....	174.95
14547-B	Power Seat Motor 12-Volt New .....	174.95
14547-C	Power Seat Motor Dial-o-Matic New .....	194.95
14553-A	Power Window Motor 6-Volt New .....	174.95
14553-B	Power Window Motor 12-Volt New .....	174.95
14553-C	Power Window Motor Replacement For New Power Window Kit (23208) .....	109.95

**WINDOW PARTS / WIRE LOOM**



14554

14559



14561

14570

14553-G	Grommets Window Motor Mounting Pair .....	1.45
14554	Gasket Window Switch Housing RH .....	3.10
14559	Clip Seat Switch Straight Type 1/Car .....	2.10
14561	Gasket Power Seat Switch .....	3.95
14570	Clip Windows or Seat Switch Retainer V-Shape Windows 6/Car; Seat 3/Car .....	2.10



14585-B

14608

14585-B	Clips Wire Loom at Cluster Repro 3 Piece .....	7.25
14585-C	Clip Wire Loom-See Page 90 for Illustration .....	.50
14858-D	Clip Wire Loom-See Page 90 for Illustration .....	.50
B-14486	Clip Wire Loom-See Page 90 for Illustration .....	.50
14608	Retainer Cowl Wiring Grommet .....	14.95
14608-A	Grommet Main Harness through Firewall .....	4.20



14608-A

14616

14616	Gasket Window Regulator Switch LH .....	3.95
-------	---	------

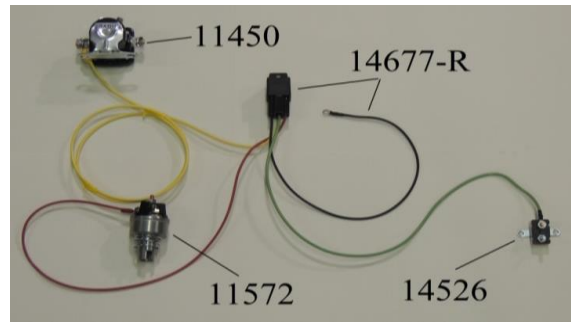


14651

14685

14651	Grommet Headlamp and Park Lamp Wiring (55/56 4-Used) (57 Uses 4+2 of 14651-S) .....	3.35
14651-S	Grommet Small Park Lamp Wiring (57 Uses-2) .....	2.95
*14677	Power Window Safety Relay Original Type .....	Call
14677-BN	Safety Relay Electric Window 56/57 Reproduction Coming Soon .....	Call

**SEAT SWITCH & PARTS / CIGAR LIGHTER**



14677-R	Relay & Wire Assembly for 23208 Power Window Kit *Can also be used to replace the Original Power Window Safety Relay that is on the Firewall .....	39.95
---------	--	-------

14685	Bezel Power Seat Switch Chrome .....	34.95
-------	--------------------------------------	-------



14A701



14A701-C

14A701	Switch Seat Control 55/57 .....	44.95
14A701-C	Crossover bar Power Seat Switches .....	9.30

*14A707	Relay Seat Regulator Control Dial-O-Matic 57 Horizontal and Vertical Controls .....	Call
*14A707-A	Relay Seat Regulator Control Dial-O-Matic 57 Used for Easy Entrance .....	Call

15010-A	Trim Ring, Clock Chrome 57 .....	21.95
15017	Bracket Retains Clock to Dash 55/56 .....	15.90



15052-12V



15056-K

15052-6V	Lighter Complete Reproduction w/ Socket 6V like Original .....	51.95
15052-12V	Lighter Complete Reproduction w/ Socket 12V like Original .....	43.00
15052	Element Only 12-Volt Cigarette Lighter .....	4.75
15052-D	Element Only 6-Volt Cigarette Lighter .....	13.85
15055	Lighter Socket & Element Assembly 12V 56/57 .....	15.00
15056	Wire with Right Angle Connector Supplied with Reproduction Lighters .....	2.10

15056-K	Knob Only- Cigar Lighter - Like Original Does Not Include "Lighter" Bezel .....	20.95
---------	--	-------



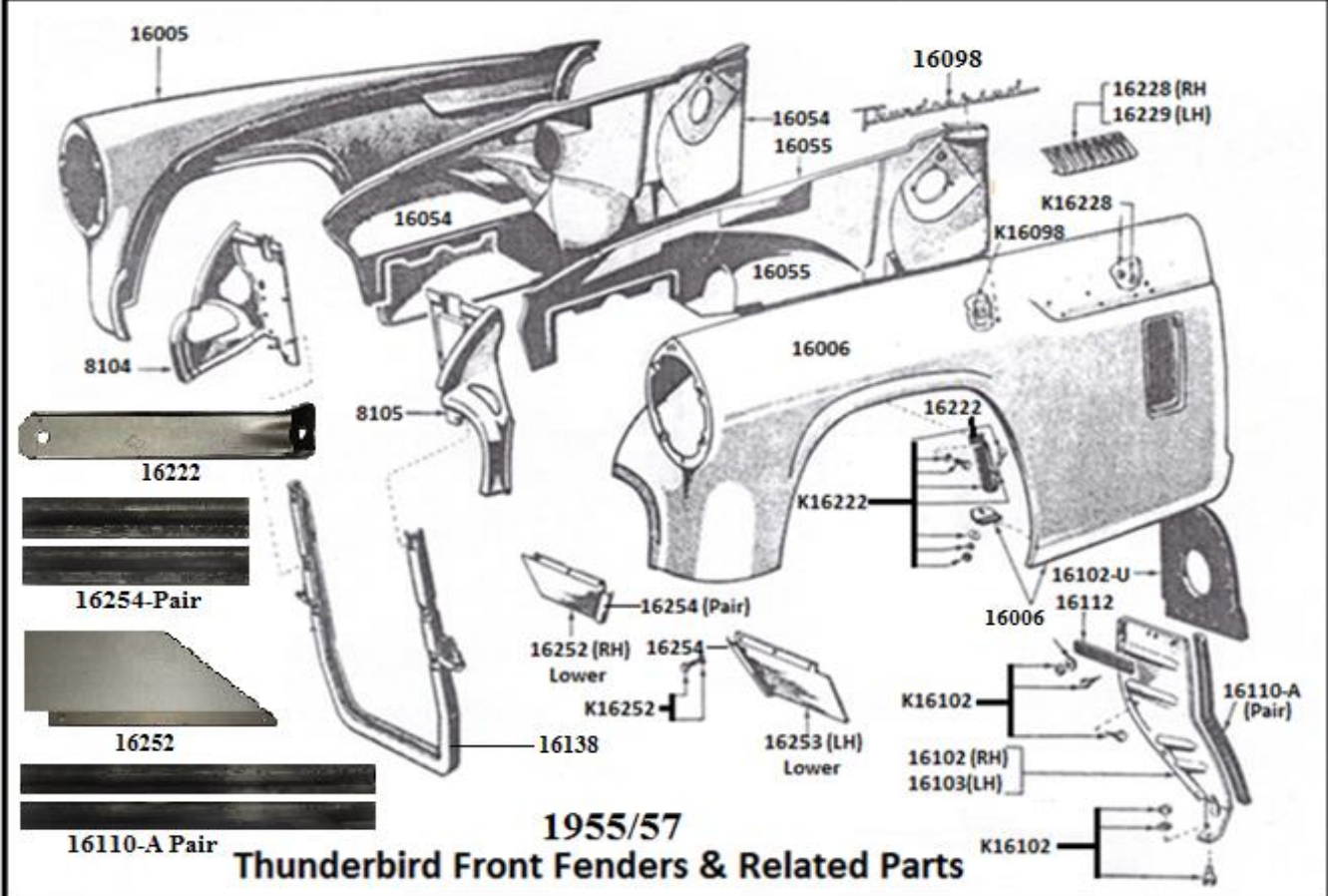
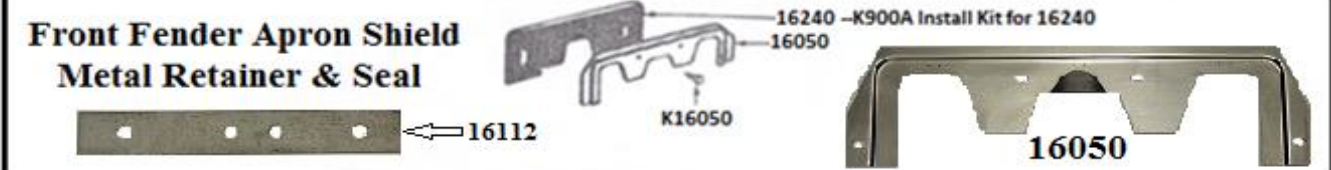
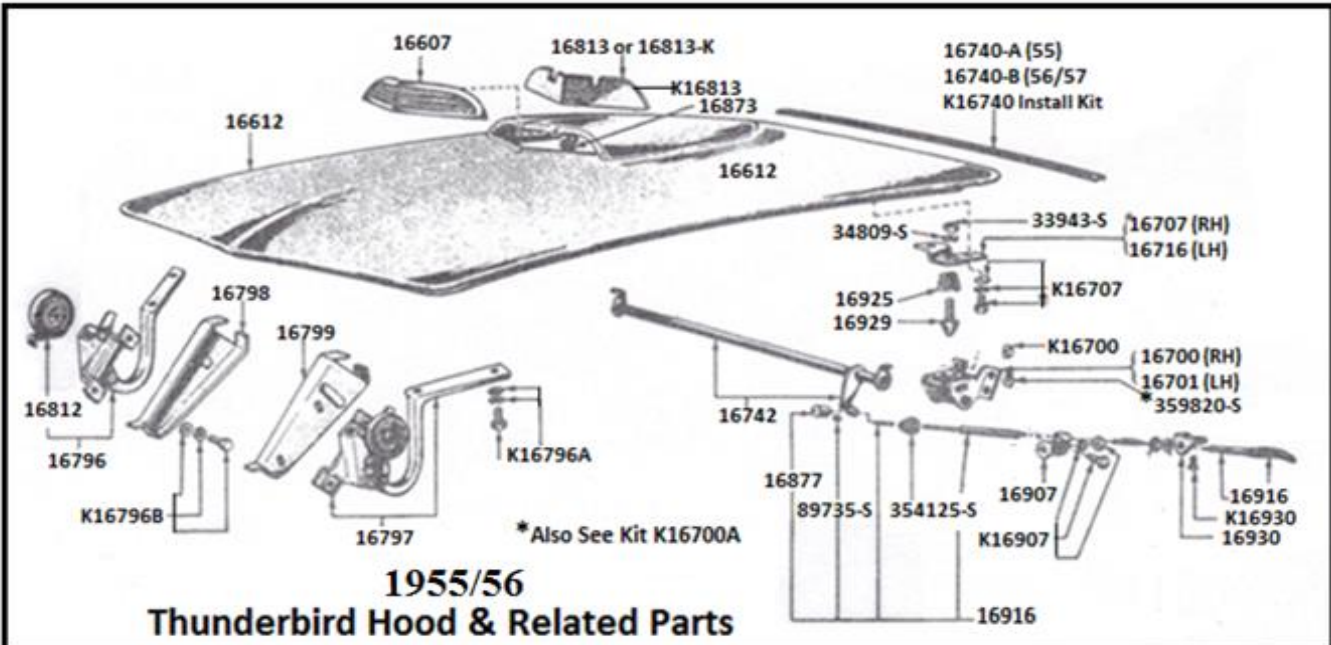
15059

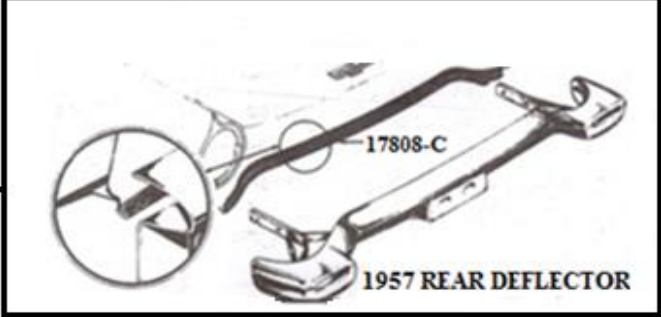
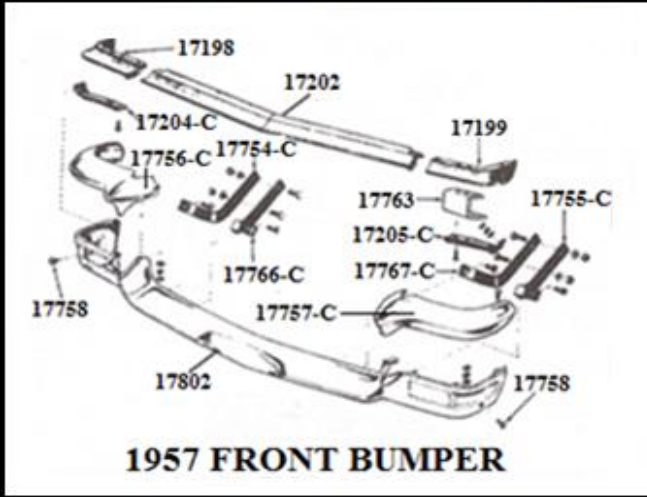
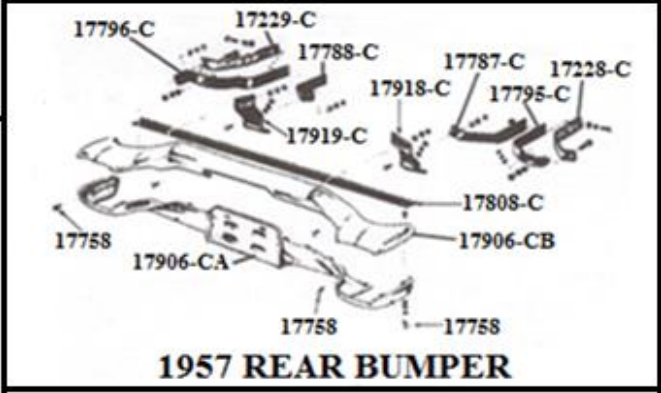
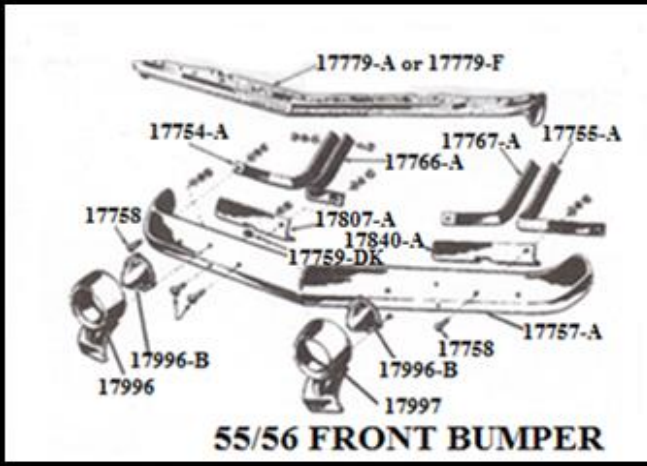
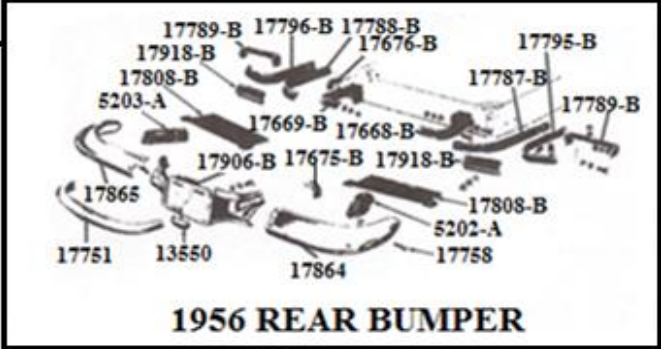
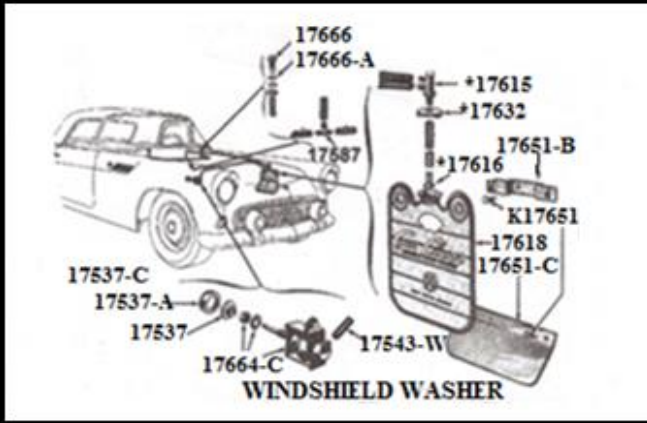
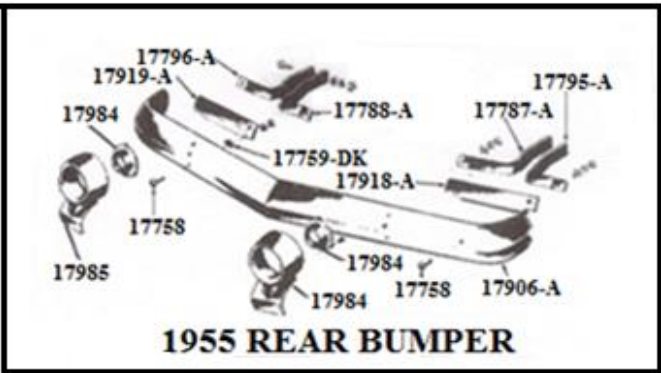
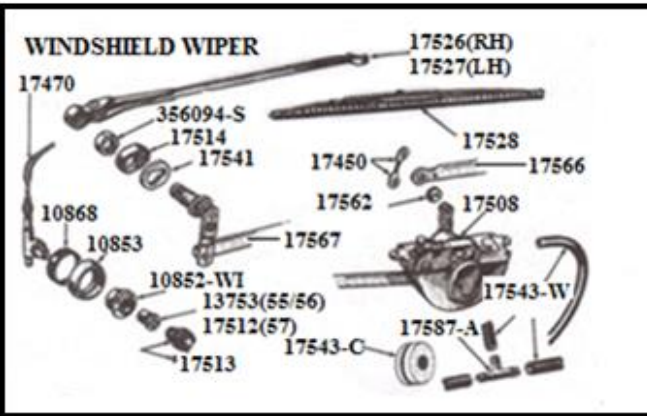


15514-C

15059	Bezel Cigarette Lighter .....	21.80
15514-C	Plate Block off Backup Light 55 .....	21.95

H  
I  
L  
L  
S  
  
T  
H  
U  
N  
D  
E  
R  
B  
I  
R  
D  
  
C  
E  
N  
T  
E  
R





**HILL'S THUNDERBIRD CENTER GIFT CERTIFICATES AVAILABLE!**

**BACKUP LIGHT PARTS**

15510-A	Gasket Backup Lamp Lens 55 .....	1.50
15510-B	Gasket Backup Lamp Lens 56 .....	1.50
15514-A	Lens Backup Lamp with FOMOCO Oval 55 .....	12.00
K15514A	Backup Lamp Lens to Lamp Body-55 .....	12.00
15514-B	Lens Backup Lamp with FOMOCO Oval 56 .....	12.00
K15515B	Backup Lamp Lens to Lamp Body-56 .....	6.00
15514-BN	Lens Used without Backup Lamp with FOMOCO 56 .....	12.00
15514-C	Plate Block off Backup Light 55 .....	21.95
K15514C	Block Off Plates to Quarter .....	2.00



**15515-A                          15515-B**

15515-A	Body Backup Lamp 55 .....	29.90
15515-B	Body Backup Lamp 56 .....	39.90

**BACKUP LAMP KIT**

Includes: 15510 Gasket, 15514 Lens, 15515 Lamp Body  
15533 Gasket, K15514A (55)-B(56), K15515B(56)

15515-AK	55, Backup Lamp Kit-Does one side .....	49.95
15515-BK	56, Backup Lamp Kit-Does one side .....	59.95



**15517                          15520**

15517	Bracket Backup Switch 312 S/T or O/D .....	18.00
15520	Switch Backup Lamp with S/T and O/D .....	11.79
15533-A	Gasket Backup Housing to Quarter 55 .....	2.92
15533-B	Gasket Backup Block off to Quarter 55 .....	3.42
15533-C	Gasket Backup Housing to Quarter 56 .....	2.45



**15540-K                          15798**

15540-K	Bracket Backup Lamp Switch S/T 55/57 .....	19.95
*15798	Housing Assembly 55/57 F/M .....	Call



**15A801                          15805**

15A801	Shifter Light Assembly Automatic F/M .....	27.89
15805	Lens F/M Automatic Shift Indicator .....	12.45



**15839                          15840**

15839	Bracket to Hold F/M Neutral Switch .....	21.46
15840	Light Shield F/M Shifter Lens .....	19.95

**HOOD & FENDER**

*16005	Front Fender 55/57 RH .....	Call
*16006	Front Fender 55/57 LH .....	Call



**16098**

16050	Retainer for Apron Seal (16240) See Page 92 .....	20.49
K16050	Kit Apron Shields (16050) to Aprons .....	2.85
*16054	Inner Fender 55/57 RH .....	Call
*16055	Inner Fender 55/57 LH .....	Call
16098	Thunderbird Script 57 Reproduction .....	26.50
K16098	Kit Thunderbird Script to Body 57 .....	2.90



**16102                          16102-U**

16102	Splash Shield Steel Lower Rear RH 56/57 .....	47.95
16102-U	Shield Upper Rear Front Fender Splash Rubber 56/57 2-Car .....	4.20
16103	Splash Shield Lower Rear RH 56/57 .....	47.95
K16102	Kit Lower Rear Splash Pans to Apron .....	5.85



**16110-A                          16112**

16110-A	Weather-strip Front Fender Rear Splash Shield 56/57 Set of 2 .....	5.98
16112	Plate Upper Rear Splash Shield Retaining .....	1.60
*16138	Radiator Core Support .....	Call



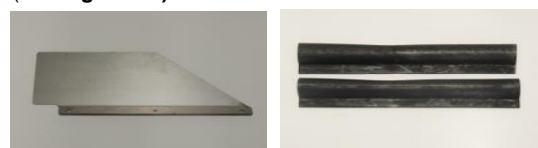
**16222                          16228**

16222	Brace Fender to Apron .....	8.75
16228	Louver Trim RH .....	29.35
16229	Louver Trim LH .....	29.35
K16228	Kit Louver Trim to Fenders 12 Piece .....	2.20



**16237                          16240**

16237	Emblem V8 Body Slide 1955 .....	18.88
K16237	Kit Y-Block Emblems (16237) 55 .....	1.55
16240	Seal Front Fender Apron Shield Each .....	4.25
K900A	Kit Staples for Seals and Weather Strips, (Package of 12) .....	3.75



**16252                          16254**

16252	Splash Panel Lower Apron to Frame RH Does not include 16254 .....	12.95
16253	Splash Panel Lower Apron to Frame LH Does not include 16254 .....	12.95
K16252	Kit Lower Splash Shield to Apron .....	5.40
16254	Weather-strip Front Fender Apron to Frame Set of 2 .....	3.45

H  
I  
L  
L  
S  
  
T  
H  
U  
N  
D  
E  
R  
B  
I  
R  
D  
  
C  
E  
N  
T  
E  
R

**SPRING GAS FILLER / HOOD**



16377-A

16377-B

- 16377-A Spring Gas Filler Lid 55/56 2 used per car ..... 5.15
- 16377-B Spring Gas Filler Lid 57 2 used per car ..... 5.15



16607

16700

- 16607 Grille Hood Scoop Reproduction ..... 69.95
- K16607 Kit Hood Scoop (16607) to Hood ..... 6.00
- \*16612 Hood Original Used ..... Call
- 16612-A Pad Set Hood Anti-Rattle Very Difficult to Install ..... 6.25
- \*16612-F Hood Ford Original Fiberglass, \*Limited Quantity..... 400.00
- \*16700 Hood Lock Assembly RH ..... Call

**16700 & 16701 were Cadmium Zinc 16700-A Paint Black**



16700-A

16700-B

- 16700-A Spring Hood Lock Catch ..... 3.70
- 16700-B Repair Pin Hood Latch Release ..... 10.45
- \*16701 Hood Lock Assembly LH ..... Call
- K16700 Hood Locks (16700-16701) ..... 3.00
- K16700A Kit Washers between Hood Locks & Firewall 8-pcs . 4.00
- \*16707 Hood Latch Plate RH ..... 40.00
- \*16716 Hood Latch Plate LH ..... 40.00
- 16740-A Pad Hood 55 without Drive Nails ..... 4.95
- 16740-B Pad Hood 56/57 without Drive Nails ..... 4.95
- K16740 Kit Hood Pad Drive Nails to Body ..... 8.35
- \*16742 Rod Hood Lock Control NOS 55/57 ..... 50.00

**16742 Hood Rod Cadmium Zinc**

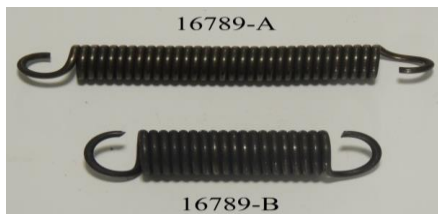


16758-BK

16758-CK

**No Hood Bumpers were used on 1955 T-Birds**

- 16758-BK Hood Bumpers & Screws 56 ..... 5.95
- 16758-CK Hood Bumpers & Screws 57 ..... 5.95

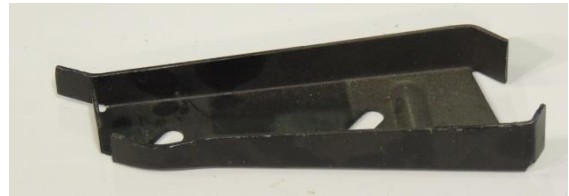


16789-A

16789-B

- 16789-A Spring Soft Top Swing bar Long Early ..... 9.90
- 16789-B Spring Soft Top Swing bar Short Late ..... 9.90
- \*16796-A Hood Hinge 55 RH ..... Call
- \*16796-B Hood Hinge 56/57 RH ..... Call
- 16796-RA Rivet Kit Hood Hinge Repair 3-Pieces ..... 19.20
- 16796-RB Hinge Repair Kit Bolt Type 3-Pieces, Enough for One Hinge ..... 19.20
- \*16797-A Hood Hinge 55 LH ..... Call
- \*16797-B Hood Hinge 56/57 LH ..... Call
- K16796A Kit Hood Hinge to Hood ..... 2.00
- K16796B Kit Hood Hinge to Bracket (16798-9) ..... 2.00

**HOOD HINGE / HOOD CABLE**



- \*16798-A Bracket Hood Hinge Support RH ..... 50.00
- \*16799-A Bracket Hood Hinge Support LH ..... 50.00

*\*Limited Availability*

\*16799

\*16798



- 8327 Deflector Radiator Center Air ..... Call

**\*16798 & 16799 does not come with 8327**



16812

16813-K

- 16812 Spring Hood Hinge ..... 10.50
- 16813 Hood Block off Plate Only ..... 6.30
- 16813-K Hood Block off Plate Kit with Attaching Hardware and Decal ..... 14.95
- 16873 Spacer Hood Ornament Stud Ford Originals ..... 1.50



16877

16907

- 16877 Clamp Hood Catch Cable Plated with Screw ..... 4.90
- 16907 Bracket Hood Release Cable at Firewall ..... 13.15
- K16907 Hood Release Bracket (16907) to Firewall ..... 2.00



16916

16925

- 16916 Cable Hood Release with Correct Handle ..... 31.40
- 16925 Spring Hood Latch ..... 3.10



16929

16930-B

- 16929 Dowell Hood Lock Cadmium Plated ..... 10.25
- 16930-A Bracket Hood Release Cable Chrome ..... 14.95
- 16930-B Bracket Hood release Cable Black 57 ..... 8.45
- K16930 Kit Hood Release Cable Bracket to Dash ..... 3.00

H  
I  
L  
L  
S  
  
T  
H  
U  
N  
D  
E  
R  
B  
I  
R  
D  
  
C  
E  
N  
T  
E  
R

**JACK / JACK INFORMATION**



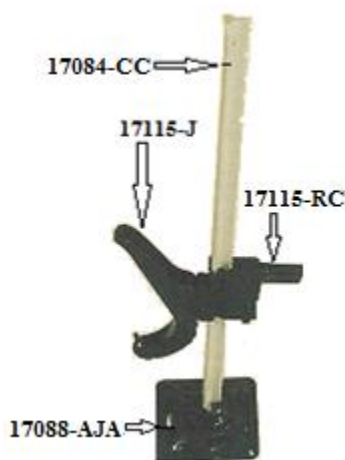
**17032**  
17032 Wrench Jack Handle Wheel Nut Replacement..... 24.95  
Paint Black



Upper Lug Wrench is Correct for all Three Years  
Handle Portion is approximately 15.5"- Bent end is 7.5" Long  
Lower Lug Wrench is an acceptable Ford Replacement-Bent 5"  
\*17032-A Wrench Jack Handle Original for all Three Years..... Call



1956 Jack Housing Ratchet



1957 Jack Housing Ratchet



\*17080-A Jack Assembly 1955 Used..... Call  
\*17080-B Jack Assembly 1956 Used..... Call  
\*17080-C Jack Assembly 1957 Used..... Call  
17080-P Pad Jack Stowage glue to rear wheel housing  
Between wheel house and jack shaft..... 3.00  
17083 Jack Strap ..... 15.70



17084 Column 1955



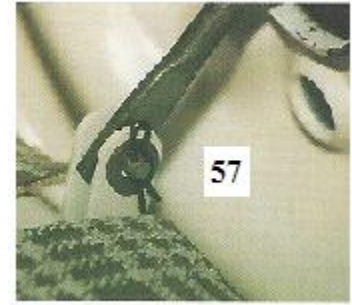
17084 Column 56/57

\*17084-AC Jack Column 55 31" Long were Cadmium Plated..... Call  
\*17084-BC Jack Column 56 31" Long were Cadmium Plated..... Call  
\*17084-CC Jack Column 57 31" Long were Cadmium Plated..... Call

**JACK PARTS / JACK IN TRUNK AREA**

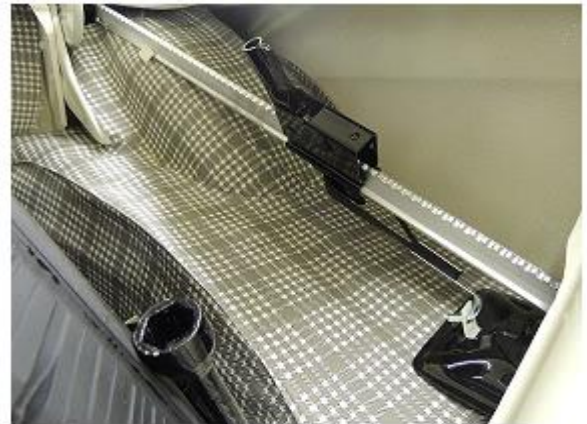


1955 Base (AB-N) 1955 Base (AB-D) 1957 Base (AJ-A)  
\*17088-ABD Jack Base 55 AB-D Stamping Round Receptacle... Call  
\*17088-ABN Jack Base 55 AB-N Stamping Triangle Receptacle Call  
\*17088-ABL Jack Base 56 AB-L Stamping ..... Call  
\*17088-AJA Jack Base 57 AJ-A Stamping ..... Call  
**56/57 Have a (A-Stamped on Opposite Side- Paint Black)**



1957 Spare Tire Bolt  
See 1448 for Bolt Application  
Pin 73860-S  
Retainer 352358-S

17115-J  
\*17115-J J-Hook 57 Original Paint Black ..... Call  
\*17115-JR J-Hook 57 Reproduction Paint Black ..... 130.00  
\*17115-RA Jack Housing Ratchet 55 Paint Black ..... Call  
\*17115-RB Jack Housing Ratchet 56 Paint Black ..... Call  
\*17115-RC Jack Housing Ratchet 57 Paint Black ..... Call



1957 JACK - RH TRUNK AREA



55/56 JACK-LH TRUNK AREA 57 SPARE TIRE-TRUNK AREA

H  
I  
L  
L  
S  
  
T  
H  
U  
N  
D  
E  
R  
B  
I  
R  
D  
  
C  
E  
N  
T  
E  
R

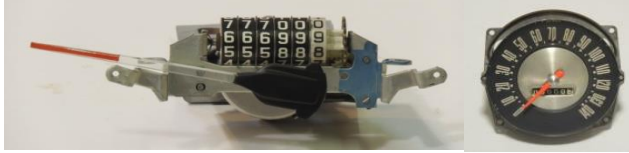


# SPEEDOMETER / SPEEDOMETER CABLES

17248-A

17248-B

- 17248-A Seal Speedometer Trim Ring 57 ..... 1.00
- 17248-B Seal Small Instrument Trim Ring 57..... 0.90



17255-A

17255-B

**Thunderbird Speedometers were registered at 140 MPH**

- \*17255-A Speedometer Rebuilt Exchange 55/56..... Call
- Core Deposit on Above..... 200.00
- \*17255-B Speedometer Rebuilt Exchange 57..... Call
- Core Deposit on Above..... 200.00

## SPEEDOMETER CABLES / LENS



17260-A



17260-B



17260-C



17265-A

- 17260-A Speedometer Cable & Housing 55/56..... 25.00
- 17260-B Speedometer Cable & Housing 57 F/M S/T-292 ..... 40.00
- 17260-C Speedometer Cable & Housing 56/57 312 S/T  
56/57 with Overdrive ..... 40.00
- 17262 Speedometer Core Repair Kit ..... 10.00
- 17265 Speedometer Dial Face without Recessed Numbers ..... 45.10
- 17265-A Speedometer Dial with Recessed Numbers ..... 44.00



17279



17285-A

- 17279 Speedometer Angle Drive 55/56 ..... 215.00

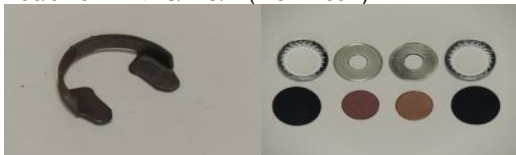
**17279 Angle Drive was used on all 55 with S/T-O/D-F/M 56 and S/T and FM Transmissions**

**Angle Drives were not used on a 56 T-Bird 312**

**With an Overdrive Transmission. Use 17260-C Speedometer Cable**

## GEAR SPEEDOMETER DRIVING

- \*17285-A 55/56 S/T 55/292 with Overdrive (8M17285)..... Call
- \*17285-B 57 with Fordomatic Transmission (B7A17285B)..... Call
- \*17285-C 57-292 with Standard Transmission (B7A17285C)... Call
- \*17285-D 55/56 with Fordomatic Transmission  
56/57 312 with S/T-O/D (MC17285A)..... Call



17292

17314-A

17314-B

TJK55

- 17292 Clip Speedometer Gear 57 ..... 1.48
- 17298 Oil Seal Speedometer Gear Bearing..... 1.65
- \*17309 Holder Lower Gauge Cluster 55/56..... 20.00
- \*17310 Dome Frame-Metal for Speedometer Face 55/56 .... 20.00

# SPEEDOMETER GEARS / TACHOMETER

- \*17314 Housing Lower Cluster 55/56.....20.00
- 17314-A Retainers-Turn Signal Lenses Pair 55/56 ..... .8.35
- 17314-B Bezel Turn Signal Lenses Pair 55/56.....15.95
- TJK55 Jewel Kit Red Plastic Inserts for Oil & Generator  
Lights and Green for Inserts for Turn Signals ..... 5.25
- \*17317 Housing Speedometer Cluster 55/56..... 40.00

**\*Limited Availability**



17317-A



17319

- 17317-A Lens High Beam Indicator 55/56 ..... 10.00
- \*17318 Retainer for Plastic Speedometer Dome 55/56..... 5.00
- 17319 Dome Plastic Speedometer 55/56 ..... 28.65

## GEARS SPEEDOMETER DRIVEN



17322 (Type 1)



17322 (Type 2)

- COAA17271E Gear Speedometer Driven 21-Tooth Type-1 ..... 27.15
- COAA17271J Gear Speedometer Driven 18-Tooth Type-1..... 27.15
- COAA17271K Gear Speedometer Driven 19-Tooth Type-1  
57 F/M 3:10 S/T 292 3:56 Ratio 14" Tires ..... 22.40
- B5A17322A Gear Speedometer Driven 20-Tooth Type-2  
55-3:92 Ratio O/D 15" Tires..... 21.95
- B5A17322B Gear Speedometer Driven 21-Tooth Type-2..... 21.95
- B5A17322C Gear Speedometer Driven 19-Tooth Type-2  
55/56-3:73 Ratio S/T 15" Tires ..... 21.95
- 55/56-3:31 Ratio F/M 15" Tires ..... 21.95
- B5A17322D Gear Speedometer Driven 22-Tooth Type-2  
56-3:92 Ratio O/D 15" Tires  
57-3:56 Ratio S/T 14" Tires ..... 21.95
- 57-3:70 Ratio O/D 14" Tires..... 21.95
- MC17322B Gear Speedometer Driven 23-Tooth Type-2  
56-3:92 O/D 57-3:70 O/D ..... Call

**Use Speedometer Cable 17260-A 55/56 17260-B 57 S/T-FM 17260-C 56/57 312 S/T O/D**

**Less Teeth Speeds up the Speedo while More Teeth Slows it down**



17360-A



17360-B

- \*17360-A Tachometer Rebuilt Exchange 55/56..... Call
- \*17360-B Tachometer Rebuilt Exchange 57..... Call
- Core Deposit on 17360-A and 17360-B ..... 200.00
- 17360-C Bracket Retains Tachometer to Dash 55/56 ..... 12.95
- \*17360-H Housing Bezel Tachometer 55/56..... 50.00
- \*17360-HC Housing Bezel Tachometer Chromed 55/56 ..... 160.00



17361



17361-A

- 17361 Face Tachometer with Recessed Numbers as  
Original 55/56..... 17.99
- 17361-A Bracket and Clip Tachometer Cable 55..... 11.95
- 17361-C Face Tachometer without Recessed Numbers  
55/56..... 16.75

**TACHOMETER / WIPERS**



**17361-N**

- 17361-N Needle Tachometer 55/56 ..... 11.85
- Tech Tip: Tachometer needle should be painted fluorescent orange**
- 19000-G Paint Red/Orange for Needle Pointer..... 3.00
- 17362 Face Clock with Recessed Numbers as Original 55/56 ..... 19.60
- 17362-A Face Clock without Recessed Numbers 55/56..... 16.95



**17365-A**

**17365-B**

- 17365-A Cable Tachometer 55 ..... 35.30
- 17365-B Cable Tachometer 56/57 ..... 36.20
- 17365-M5 Tachometer Cable use with Mallory Distributor 12127-EM or PM 1955..... 40.00
- 17365-M67 Same as above use on 56/57 ..... 40.00



**17374**

**17377**

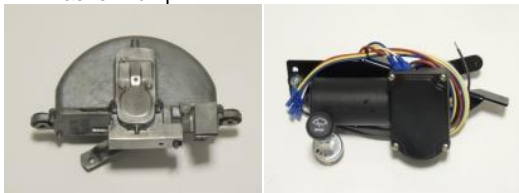
- 17374 Gear Tachometer Driven on Each Tach. Cable..... 37.00
- \*17377 Gear Tachometer Driving Inside Distributor Inquire for Stock..... 90.00
- 17383 O-Ring Tachometer Driven Oil Seal..... 1.25



**17450**

**17470**

- 17450 Retainer Wiper Arms to Vacuum Motor..... 9.06
- 17470 Wiper Switch Assembly Dash to Wiper Motor ..... 59.68
- \*17470-A Same as above, Used, Original ..... Call
- \*17470-B Cable Washer Pump to Wiper Motor, Used on 1957 Only - This Cable Kicked on Wiper when using Washer Pump..... Cal



**17508**

**17509-K**

- 17508 Wiper Motor Vacuum Rebuilt Original ..... 109.95
- Core Charge ..... 100.00

**ELECTRIC WIPER CONVERSION**

- 17508-B Electric Wipers with Squirter 12-Volt ..... 315.00
- 17509-K Electric Wipers without Squirter 12-Volt ..... 279.00
- 13753 Nut Wiper Control 55/56 ..... 12.95
- 17512 Nut Wiper Control 57 ..... 12.95
- 17513 Knob Wiper Control Black/Chrome ..... 15.65

**WIPER ARMS / WIPER BLADES**



**17512**

**17514**

- 17514 Bezel Wiper Arm Chrome Pair..... 26.47
- Wiper Arms All High Polished Stainless
- 356094-S Nut Wiper Pivot Shaft ..... 12.90



**17526-A (Top)**

**17526-B (Bottom)**

**All High - Polish Stainless**

- 17526-A Arm - Wiper Blade - Wrist Connection - 55 RH..... 31.45
- 17526-B Arm - Wiper Blade - Bayonet Connection RH..... 31.45
- 17527-A Arm - Wiper Blade - Wrist Connection - 55 LH ..... 31.45
- 17527-B Arm - Wiper Blade - Bayonet Connection LH ..... 31.45
- 17528-A Windshield Wiper Blade - Excellent Reproduction of Original Trico RB12 - 2 with Rubber End Tips Wrist Connection - 55 (sold each)..... 31.45
- 17528-B Wiper Blade - Same as 17528-A but with Bayonet Connection - 56/57 (sold each) ..... 31.45



**17528-A (Top)**

**17528-B (Bottom)**

- 17528-BLD Wiper Blade Rubber Only - with "Bumps" Each..... 8.00

**WIPER ARM & BLADE KITS**

- 17528-AK Kit - 2 Arms & 2 Blades - 17526-A, 17527-A, & (2) 17528-A, You save \$10.00 ..... 115.80
- 17528-BK Kit - 2 Arms & 2 Blades - 17526-B, 17527-B, & (2) 17528-B you save \$10.00 ..... 115.80



**17537**

**17537-A**

- 17537 Pedal - Windshield Washer - with Clip - No Pad.... 10.45
- 17537-A Pad - Windshield Washer Pedal ..... 5.25
- 17537-C Clip Holds Washer Pedal to Shaft..... 1.10



**17541**

**17543-W**

- 17541 Pad Wiper Arm to Pivot Shaft Outer Leather ..... 1.20
- 17543-C Grommet Wiper Vacuum Hose ..... 1.75
- 17543-H Vacuum Hose Kit for Heater ..... 7.95
- 17543-W Washer Hose Kit for Wipers ..... 7.95
- 17562 Grommet Wiper Arm Pair ..... 2.10

H  
I  
L  
L  
S  
  
T  
H  
U  
N  
D  
E  
R  
B  
I  
R  
D  
  
C  
E  
N  
T  
E  
R

# WINDSHIELD WASHER PARTS / MIRRORS



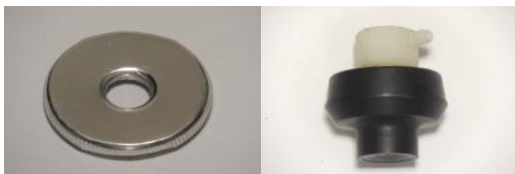
- 17566 (Shown) 17666**  
**17566 is Straight RH, 17567 has Bend in Linkage**
- \*17566 Linkage Wiper Pivot Used RH..... 50.00
  - \*17567 Linkage Wiper Pivot Used LH ..... 75.00
  - 17580-A Grommet Washer Hose through Dash ..... 1.29
  - 17587-A Tee Washer Squirter Hose..... 1.25
  - 17587-B Tee Vacuum Hoses to Heater & Wiper Motor ..... 2.00
  - \*17A601 Tee Vacuum Original Metal..... 15.00



- 17615 Tee Washer Reservoir to Hoses ..... 15.95
- 17616 Filter Washer Fluid..... 6.10

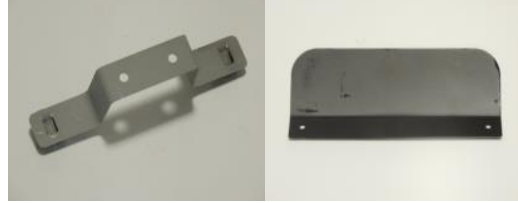


- 17617-K Washer Tee Kit – Includes: 17543, 17615, 17616, 17632..... 26.20
- 17618-A Washer Reservoir See Clear 55..... 23.55
- 17618-B Washer Reservoir See Clear 56..... 23.55
- 17618-C Washer Reservoir See Clear 57..... 23.55



17664-ARK 17664-BRK

# WINDSHIELD WASHER PARTS



- 17632 Cover Washer Reservoir ..... 3.68
- 17651-B Washer Bag Holder Only..... 11.50
- 17651-C Washer Bag Lower Plate Only..... 6.25
- K17651 Kit Washer Bag Holder (17651B) to Apron and Lower Plate (17651C) to Apron 4-pieces..... 1.50

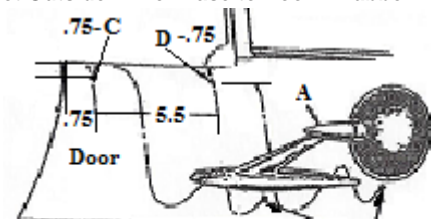
## WASHER BAG HOLDER & PLATE KIT

- 17651-AK Windshield Washer Bag Holder & Plate Kit, You Save \$1.00..... 16.75**
- 17664-A Repair Kit Washer Pump Includes Bellow Plastic 90 Degree Outlet with spring..... 36.95
- 17664-B Spring Only Inside Washer Pump – Stainless..... 0.60
- 17664-BK Bellow Only Washer Pump..... 7.50
- 17664-C Windshield Washer Pump Assembly 55/56 Replacement for 57 ..... 79.98
- \*17664-E Windshield Washer Pump 57  
This pump has the cable control so when you pump Your Washers, the cable will turn on the wipers..... Call
- 17664-ARK Repair Kit Washer Pump Aluminum 90 Degree Outlet..... 40.00
- 17664-BRK Repair Kit Washer Pump Aluminum Straight Outlet. 40.00
- 17666 Nozzle – Washer Jet – Like Original – Pair..... 29.95
- \*Washer Nozzles installed approximately 1" from Hood Opening**
- \*Nozzles are approximately 10.5" from center of Wiper Arm Post**
- \*Washer Nozzles are spaced approximately 16.5" apart.**
- 17666-A Seal – Washer Jet Nozzle – Package of 2..... 0.75
- 356094-S Nut – Wiper Pivot Shaft ..... 12.90



- 17696-A Outside Mirror 55..... 35.95
- 17696-ACV Outside Mirror 55 Convex Glass..... 40.00
- K17696A Kit Rear View Mirror to Door 55..... 1.10
- 17696-B Outside Mirror 56/57..... 35.95
- 17696-BCV Outside Mirror 56/57 Convex Glass..... 40.00
- K17696B Kit Rear View Mirror to Door 56/57 ..... 1.10
- 17696-C Outside Mirror Head Only Stainless Steel..... 16.00
- 17696-D Gasket outside Mirror Base to Door – Paper ..... 1.10
- 17696-E Gasket Outside Mirror Base to Door – Rubber.... 1.50

Installation Of Outside Mirror See Kits (1955) K17696A (1956/1957) K17696B



**A-Mirror B-Screws**  
**Two Hole Mirror C&D .135" Dia-#29 Drill Bit**  
**One Hole Mirror C-.204" Dia-#6 Drill Bit**  
**D-.135" Dia-#29 Drill Bit**

No Gasket was Originally Used under the Outside Mirror.  
 17696-E Gasket has no Bead.  
 Outside Rear View Mirrors were Installed on Drivers Side Only

H  
I  
L  
L  
S  
  
T  
H  
U  
N  
D  
E  
R  
B  
I  
R  
D  
  
C  
E  
N  
T  
E  
R

MIRRORS INSIDE / BUMPER PARTS



17700-A

17700-B



17702-A

17702-B

17700-A	Mirror Inside 2 3/4" Arm 55 .....	32.25
17700-B	Mirror Inside 3 1/16" Arm 56/57 .....	32.25
17702-A	Mirror Base & Stud Inside 55 .....	14.00
17702-B	Mirror Base & Stud Inside 56/57 with FOMOCO .....	15.50
K17702	Kit Inside Mirror to Header and Tensioning 55/57 ....	1.75

55/56 FRONT BUMPER

17736	Bracket Front License Plate 55/56 .....	15.00
17736-N	Bracket Front License Plate 55/56 – Original .....	20.00
17754-A	Brace Front Bumper Outer RH 55/56 .....	47.95
K17754A	Kit Front Bumper Braces to Frame 55/56 .....	9.95
17755-A	Brace Front Bumper Outer LH 55/56 .....	47.95
*17757-A	Front Bumper 55/56 .....	Call
17759-DK	Sleeve & Spacers Bumper Guards 55/56 One Set does Two Guards .....	8.50
17766-A	Brace Front Bumper Inner RH 55/56 .....	47.95
17767-A	Brace Front Bumper Inner LH 55/56 .....	47.95
*17779-A	Deflector Front Bumper 55/56 Used or NOS .....	Call
17779-F	Deflector Front Bumper 55/56 Fiberglass .....	289.00
17807-A	Jacking Plate Front Bumper RH 55/56 .....	39.95
17840-A	Jacking Plate Front Bumper LH 55/56 .....	39.95
*17996-A	Bumper Guard Front RH 55/56 Used or NOS .....	Call
17996-AR	Bumper Guard Front RH Reproduction .....	675.00
*17996-B	Insert Front Bumper Guard RH/LH 55/56 – Original .....	Call
17996-BR	Same as Above Reproduction .....	130.00
*17997-A	Bumper Guard Front LH 55/56 Used or NOS .....	Call
17997-AR	Bumper Guard Front LH 55/56 Reproduction .....	675.00

Items 17757-A, 17779-A, 17779-F, 17996-A, 17996-AR, 17996-B, 17996-BR, 17997-A and 17997-AR Do Not Qualify for Any Type of Discount

57 FRONT BUMPER

*17198	Deflector End Front RH 57 Used or NOS .....	Call
17198-F	Deflector End Front RH 57 Fiberglass .....	85.00
*17199	Deflector End Front LH 57 Used or NOS .....	Call
17199-F	Deflector End Front LH 57 Fiberglass .....	85.00
17202	Deflector Center Stone 57 Chrome .....	139.95
17204-C	Brace Front Bumper End RH 57 .....	47.95
17205-C	Brace Front Bumper End LH 57 .....	47.95
17754-C	Brace Front Bumper Outer RH 57 .....	43.95
K17754C	Kit Front Bumper Braces to Frame 57 .....	11.95
17755-C	Brace Front Bumper Outer LH 57 .....	43.95
*17756-C	Bumper Tip RH Upper 57 Used or NOS .....	Call
*17757-C	Bumper Tip LH Upper 57 Used or NOS .....	Call
17763	Space between 17198/9 and 17204/5 .....	18.00
K17763	Kit Spacer to Fender and Braces 57 .....	5.75
17766-C	Brace Front Bumper Inner RH 57 .....	43.95
17767-C	Brace Front Bumper Inner LH 57 .....	43.95
*17802	Bumper Front Lower 57 Used or NOS .....	Call
K17802	Kit Front Bumper Tips to Lower Bumper .....	7.00

Items 17198, 17198-F, 17199, 17199-F, 17756-C, 17757-C, and 17802 Do Not Qualify for Any Type of Discount

55 REAR BUMPER



17808-AC

17808-AC	Deflector Complete Metal & Rubber Goes between Body and Rear Bumper 55 .....	129.95
17808-A	Rubber Only for 17808-AC .....	3.95
17759-DK	Sleeve & Spacers Bumper Guards 55/56 One Set does Two Guards .....	8.50
17787-A	Brace Rear Bumper Inner RH 55 .....	47.95
K17787A	Kit Rear Bumper Braces to Frame 55 .....	6.00
17788-A	Brace Rear Bumper Inner LH 55 .....	47.95
17795-A	Brace Rear Bumper Outer RH 55 .....	47.95
17796-A	Brace Rear Bumper Outer LH 55 .....	47.95
*17906-A	Bumper Rear 55 Used or NOS .....	Call
17918-A	Jacking Plate Rear RH 55 .....	41.95
17919-A	Jacking Plate Rear LH 55 .....	41.95
*17984-A	Bumper Guard Rear RH 55 Used or NOS .....	Call
17984-AR	Bumper Guard Rear RH 55 Reproduction .....	675.00
*17984-D	Insert Bumper Guard RH/LH 55 Used or NOS Donut Type Early 55 .....	Call

17984-DR	Same as above, Reproduction .....	130.00
*17984-F	Insert Bumper Guard RH/LH 55 Used or NOS Flute Type .....	Call
17984-FR	Same as Above, Reproduction .....	Call
*17985-A	Bumper Guard Rear LH 55 Used or NOS .....	Call
17985-AR	Bumper Guard Rear LH 55 Reproduction .....	675.00

Items 17984-A, 17984-AR, 17985-A, and 17985-AR Do Not Qualify for Any Type of Discount

56 REAR BUMPER

5202-A	Deflector Exhaust RH 56 .....	40.85
5203-A	Deflector Exhaust LH 56 .....	40.85
K5202A	Kit Exhaust Deflectors to Bumper 56 .....	9.00
13550-BK	License Lamp Assembly 56 .....	62.99
*17751	Rear Bumper Upper Center 56 Used or NOS .....	Call
17751-A	Bumper Strip Chrome Plastic 56 .....	5.00
17751-RC	Rear Bumper Upper Center 56 Reproduction Chromed .....	595.00
17668-B	Brace Rear Bumper Center RH 56 .....	39.95
17669-B	Brace Rear Bumper Center LH 56 .....	39.95
17675-B	Brace Rear Bumper Center RH 56 .....	21.95
17676-B	Brace Rear Bumper Inner LH 56 .....	21.95
17787-B	Brace Rear Bumper Inner RH 56 .....	47.95
K17787B	Kit Rear Bumper Braces to Frame 56 .....	8.00
17788-B	Brace Rear Bumper Inner LH 56 .....	47.95
17789-B	Brace Rear Bumper Outer RH/LH 56 .....	47.95
17795-B	Brace Rear Bumper Outer RH .....	47.95
17796-B	Brace Rear Bumper Outer LH 56 .....	47.95
17808-B	Rear Splash Shield 56 2 Used per Car .....	3.25
*17836	Deflector Rear Bumper RH -See Page 158 .....	0.00
*17837	Deflector Rear Bumper LH -See Page 158 .....	0.00
*17864	Rear Bumper Tip LH 56 Used or NOS .....	Call
*17865	Rear Bumper Tip RH 56 Used or NOS .....	Call
*17906-B	Rear Bumper Lower Center 56 Used or NOS .....	Call
17906-BC	Same as Above, Reproduction – Chromed .....	795.00
K17906B	Kit Rear Upper Bumper to Lower and Center to Ends 56 .....	13.00
17918-B	Jacking Plate Rear RH/LH 56 .....	41.95

Items 17751, 17751-RC, 17864, 17865, 17906-B, and 17906-BC Do Not Qualify for Any Type of Discount



1957 ONLY

17198 - 17199 (SHOWN)

Looking for that Hard to Find Part?  
Give us a call Today!  
866-949-1956  
Coming soon to our Website  
[www.hillsresto.com](http://www.hillsresto.com)  
On Line Parts Ordering

H  
I  
L  
L  
S  
  
T  
H  
U  
N  
D  
E  
R  
B  
I  
R  
D  
  
C  
E  
N  
T  
E  
R

## 57 REAR BUMPER

5202-B	Deflector Exhaust RH/LH 57 .....	36.00
K5202-B	Kit Exhaust Deflectors 57 .....	10.00
17228-C	Brace Rear Bumper Outer RH 57 .....	41.95
17229-C	Brace Rear Bumper Outer LH 57 .....	41.95
17787-C	Brace Rear Bumper Inner RH 57 .....	47.95
K17787C	Kit Rear Bumper Braces to Frame 57 .....	10.00
17788-C	Brace Rear Bumper Inner LH 57 .....	47.95
17795-C	Brace Rear Bumper Center RH 57 .....	47.95
17796-C	Brace Rear Bumper Center LH 57 .....	47.95
17808-C	Deflector Rear Bumper Stone 57 .....	11.00

See Page 95 for Illustration of 17808-C

*17906-CA	Rear Bumper Lower 57 Used or NOS .....	Call
*17906-CB	Rear Bumper Upper 57 Used or NOS .....	Call
17918-C	Jacking Plate RH Rear 57 .....	41.95
17919-C	Jacking Plate LH Rear 57 .....	41.95

Items 17906-CA and 17906-CB Do Not Qualify for Any Type of Discount  
\*Limited Availability

## BUMPER BOLTS / LICENSE HOLDER



Kit's 17758-A/B/C are concourse Correct  
These Bumper Bolt Kits Qualify for  
\*\*Excellence in Authenticity\*\*  
Bumper Bolt Kits are-Made in the USA  
Kits will do Front and Rear Bumpers

17758-A	Bumper Bolt Kit 55/56 concourse .....	69.95
17758-B	Bumper Bolt Kit 57 concourse .....	29.95
17758-C	Bumper Bolt Kit 57 Early with 4 Bolts in Front .....	39.95

### Replacement Bumper Bolt Kits

17758-D	Bumper Bolt Kit 55 Front and Rear .....	24.95
17758-E	Bumper Bolt Kit 56 Front and Rear .....	24.95
17758-F	Bumper Bolt Kit 57 Front and Rear .....	12.95

17758-AA	Bumper Bolt 7/16 - 14x1 - 1/4 .....	1.90
17758-BA	Bumper Bolt 7/16 - 14x1 - 1/2 .....	1.90
17758-CA	Bumper Bolt 7/16 - 20x2 - 1/4 .....	4.15
17758-DA	Bumper Bolt 7/16 - 20x1 - 1/4 .....	4.15
17758-EA	Bumper Bolt 7/16 - 20x1 - 1/2 .....	4.15
17758-FA	Bumper Bolt 7/16 - 20x2 .....	4.15



17736

17751-A

17736	Bracket Front License Plate Reproduction 55/56 .....	15.00
17751-A	Bumper Strip Chrome Plastic Look, Goes on Upper Half of Center Section of 56, rear Bumper to Protect Paint on Cont. Kit Cover .....	5.00

## BUMPER PARTS / SHIELDS / GUARDS

101



17759-DK



17763

17759-DK	Sleeve & Spacer Kit, 1 per Guard 55/56 .....	8.50
17763	Spacer 17198-9 and 17204-5 Front Bumper 57 .....	18.00



17808-B

17808-B	Splash Shield Rear Bumper 56 2/Car .....	3.75
---------	--	------

17808-C	Deflector-Rear Bumper Stone 57 .....	11.00
---------	--------------------------------------	-------

See Page 95 for Illustration of 17808-C



17984-D

17984-F

*17984-A	Bumper Guard Rear RH 55 Used or NOS .....	Call
17984-AR	Bumper Guard Rear RH 55 Reproduction .....	675.00
*17984-D	Insert Bumper Guard RH/LH 55 Used or NOS Donut Type Early 55 .....	Call
17984-DR	Same as above, Reproduction .....	125.00
*17984-F	Insert Bumper Guard RH/LH 55 Flute Type .....	Call
17984-FR	Same as Above (Reproduction) .....	Call
*17985-A	Bumper Guard Rear LH 55 Used or NOS .....	Call
17985-AR	Bumper Guard Rear LH 55 Reproduction .....	675.00



17996-A

17996-B

*17996-A	Bumper Guard Front RH 55/56 used or NOS .....	Call
17996-AR	Bumper Guard Front RH Reproduction .....	675.00
*17996-B	Insert Ft. Bumper Guard RH/LH 55/56 - Original .....	Call
17996-BR	Same as above, Reproduction .....	125.00
*17997-A	Bumper Guard Front LH 55/56 Used or NOS .....	Call
17997-AR	Bumper Guard Front LH Reproduction .....	675.00

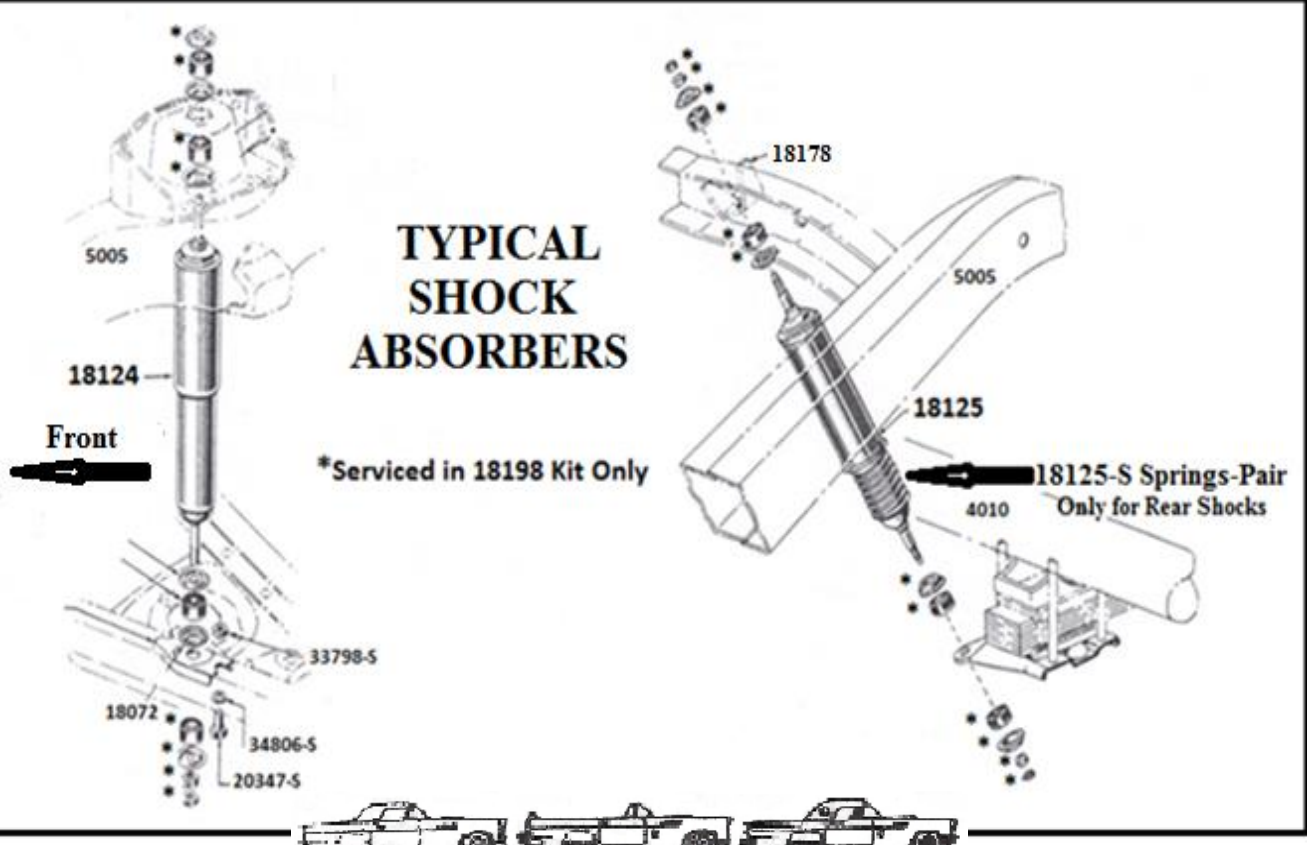
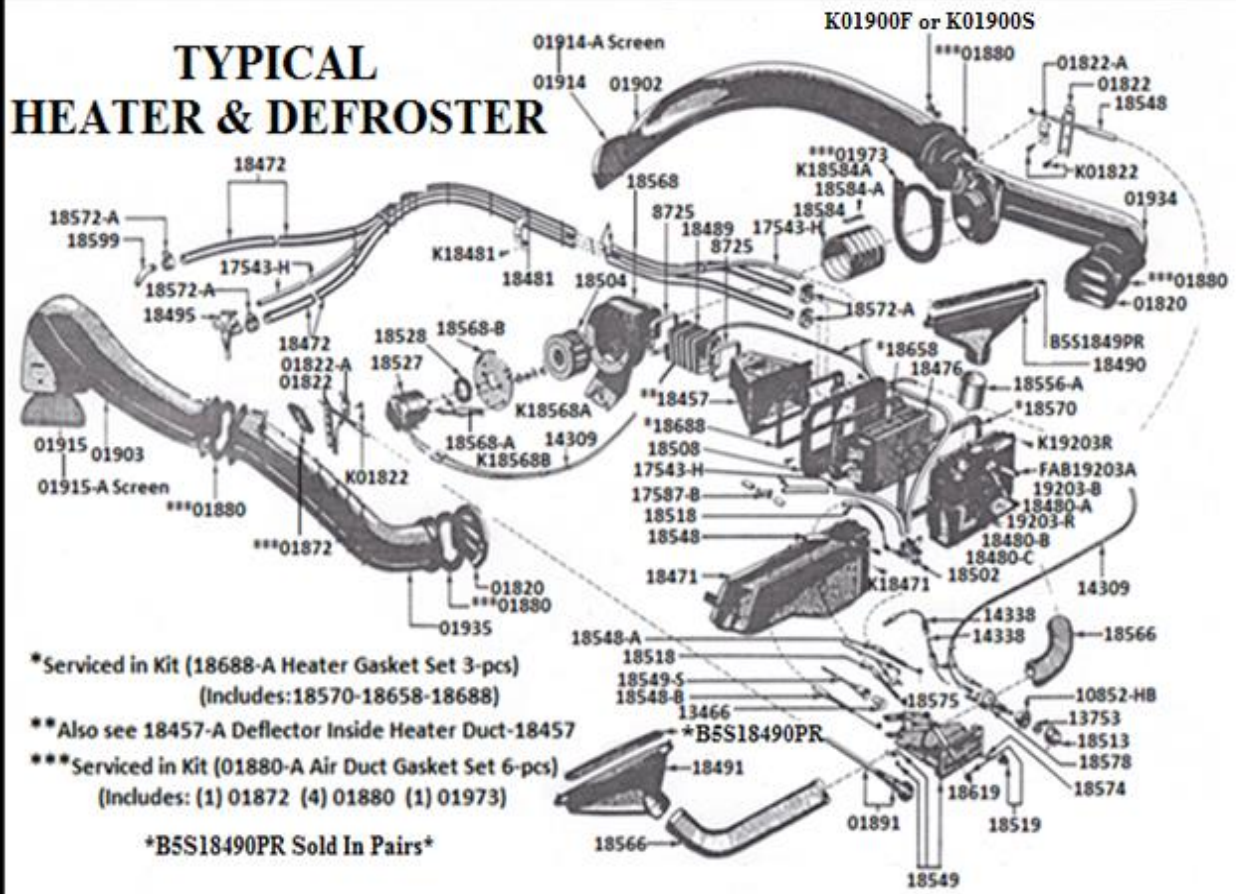
\*\*All Bumper Guards Sold Without Inserts\*\*

**NOS & USED PARTS AVAILABILITY  
GIVE US A CALL**

**HILL'S THUNDERBIRD CENTER  
866-949-9156**

CHECK OUT OUR WEBSITE [www.hillsresto.com](http://www.hillsresto.com) ON-LINE  
PARTS CATALOG AND ONLINE ORDERING

H  
I  
L  
L  
S  
  
T  
H  
U  
N  
D  
E  
R  
B  
I  
R  
D  
  
C  
E  
N  
T  
E  
R



**SHOCKS / CLOCKS**



**18072**

18072 Bracket Lower Front Shock Mount..... 13.85



**18124-A**

18124-A Shock Absorber Front Heavy Duty..... 44.95

18124-K Shock Absorber Front KYB OE Performance..... 49.95

18124-KP Shock Absorber Front KYB Performance Plus..... 59.95

18125-A Shock Absorbers Rear Heavy Duty..... 44.95

18125-K Shock Absorber Rear KYB OE Performance..... 49.95

18125-KP Shock Absorber Rear KYB Performance Plus..... 59.95

18125-AIR Air Shocks Rear with Lines – Pair..... 99.95

18125-567 Concourse Correct Shocks..... Call

18125-S Springs Only for Rear Shocks-Pair..... 4.50



**18125-S**

18125-S Springs Only for Rear Shocks, Pair..... 4.50



**18198-K**

18198 Shock Bushing & Mounting 1 Shock..... 10.00

18198-K Shock Bushing & Mounting Kit..... 40.00

**CLOCKS**



**18374-B**

\*18374-AR Clock Rebuilt 55 6-Volt..... Call

\*18374-ARQ Clock Rebuilt 55 6-Volt Quartz..... Call

\*18374-BR Clock Rebuilt 56 12-Volt..... Call

\*18374-BRQ Clock Rebuilt 56 12-Volt Quartz..... Call

\*18374-CR Clock Rebuilt 57 12-Volt..... Call

\*18374-CRQ Clock Rebuilt 57 12-Volt Quartz..... Call

Core Deposit on all Clocks..... 200.00

18374-DR Dropping Resistor-Drops 12V to 6V-Use when converting 6V to a 12V System does Radio one required..... 29.95



**18374-C**



**17362**

17362 Clock Face 55/56 with Recessed Numbers..... 19.60

17362-A Clock Face 55/56 without Recessed Numbers..... 16.95

18374-C Clock Face 57 with F&S Marks and Arrows..... 10.45

\*18374-D Knob Clock 55/56..... Call

18374-E Knob Clock 57 Chrome..... 6.90

\*18374-H Housing Clock Bezel 55/56..... 50.00

\*18374-HC Housing Clock Bezel Re-chromed Original 55/56..... 160.00

18375 Gasket Clock 1957..... 2.85



**18375**

**HEATER / DEFROSTER / HOSE**



**18457-A**

\*18457 Shroud Heater Box Used Original..... 75.00

18457-A Deflector Inside Heater Inlet Duct..... 7.50

\*18471 Heater Air Chamber NOS or Used..... Call

18471-F Heater Air Chamber Fiberglass..... 109.95

18471-P Heater Air Chamber Plastic..... 62.15

18472 Heater Hose Thermostat to w/Pump..... 0.75



**18471-P**



**18472-HK**

**18472-HK Kit with Ford Logo Stamped on Hose 4-18572-A Gold Cadmium Clamps and (2) 18954 Straps..... 26.00**

**18472-HDK Same as 18472-HK but for Dual-4 Car..... 29.00**



**18476**

18476 Heater Core..... 109.95



**18480-A**

18480-A Seal Felt Glues to Back of Heater Door..... 1.30



**18480-B**

18480-B Seal Felt Flapper Valve..... 2.00



**18480-C**

18480-C Brushings Defroster Flapper Shaft Pair..... 0.90



**18481**

18481 Bracket Heater Hoses to Apron..... 5.35

K18481 Kit Heater Hose Bracket (18481) to Apron..... 1.20

**Tech Tip: 18481 should be painted gloss black.**



**18489-A**

18489-A Hose Heater to Air Duct Square..... 20.75

\*18490 Defroster Flute RH Used Original..... 30.00

\*18491 Defroster Flute LH Used Original..... 30.00



**18490**

H  
I  
L  
L  
S  
  
T  
H  
U  
N  
D  
E  
R  
B  
I  
R  
D  
  
C  
E  
N  
T  
E  
R

HEATER VALVE / HEATER CABLES



B5S18490-PR 18495

B5S18490PR Seals Defroster Nozzle Pair ..... 10.00  
 18495 Heater Control Valve on Intake Exact  
 Reproduction ..... 79.95

MANUAL HEATER KIT



18495-RK

18495-RK Control Kit Converts your Vacuum System to Mechanical  
 System, Uses Same Controls on Dash ..... 60.00



18502-R 18504

\*18502-A Valve Heater Vacuum Spider Valve  
 Mounts in Heater Base, New ..... Call  
 18502-R Valve Heater Vacuum Rebuilt  
 Mounts in Heater Base ..... 99.95  
 Core Deposit..... 50.00



18508 18513

18504 Fan Squirrel Cage Heater Blower ..... 17.95  
 \*18508 Heater Box Front ..... 60.00  
 18508-P Heater Delete Block off Plate at Firewall ..... 45.00  
 18513 Knob Heater Blower Black Chrome..... 16.55  
 18518 Cable Heater Control Dash Control to 18502  
 Valve Rubber Coated..... 9.25



18519-A 18519-B

18519-A Knob Heater Control Wedge Shape 1955 ..... 10.25  
 18519-B Knob Heater Control Ball Shape 56/57 ..... 9.35  
 (Knob should be Painted Black)

HEATER MOTORS / HEATER CONTROL



18527-B 18528

\*18527-A Heater Motor New 6-Volt ..... Call  
 \*18527-AR Heater Motor Rebuilt 6-Volt ..... Call  
 Core Charge..... 100.00  
 18527-B Heater Motor New Replacement 12-Volt ..... 164.95  
 \*18527-BR Heater Motor Rebuilt 12-Volt Exchange..... Call  
 Core Charge..... 100.00  
 18527-DR Dropping Resistor-Drops 12V to 6V Use when converting  
 6V to 12V System Does Heater Motor Only-One Required. 29.95  
 18528 Gasket Heater Blower Motor ..... 4.10



18549-R5



18548-A 18548-C

18548-A Cable Heater Control Dash Control to 01934  
 Duct Rubber Coated..... 9.25  
 18548-B Cable Heater Control Dash Control to 18471  
 Air Chamber ..... 9.25



18549-C 18550

18548-C Clip Heater Control Cable Retaining ..... 1.75  
 18549-C Clip Retains 18549 to Dash, 2 per Car ..... 5.00  
 18549-H Heater Housing Front - This holds the 18550 Heater  
 Faceplate 55/57 Used Original ..... Call  
 18549-HR Heater Housing Rear - This holds the 18549-H and  
 Control Arms 55/57 Used Original ..... Call

18549-R67

\*18549-R5 Heater Control Recondition Original 55 ..... Call  
 \*18549-R67 Heater Control Recondition Original 56/57 ..... Call  
 18550 Faceplate Heater Control Chrome ..... 37.69



18566 18568

18556 Hose Defroster 36" Length LH..... 26.00  
 18556-A Hose Defroster RH Nozzle Rubber..... 3.85  
 \*18568 Heater Motor Housing ..... Call

H  
I  
L  
L  
S  
  
T  
H  
U  
N  
D  
E  
R  
B  
I  
R  
D  
  
C  
E  
N  
T  
E  
R



**HEATER PARTS / HEATER GASKETS**



**18568-A**

- 18568-A Heat Shield Heater Blower Motor ..... 15.70
- 18568-B Plate Heater Blower Motor Mounting ..... 15.70
- K18527B Kit Heater Blower Plate to Housing ..... 1.25



**18568-B**



**18569**

- \*18569 Clip Heater Wire to Heat Shield ..... Call
- 18570 Gasket Heater to Dash ..... 2.70
- 18572-A **Clamp Heater Hose Correct Original Type with Gold Cadmium Finish, Each** ..... 1.00
- 18572-A is Correct Original Type Clamp



**18572-A**



**18572-B CLAMP**

- Our 18572-B and Radiator Hose Clamps have Correct Screws
- 18572-B **Clamp - P/S & P/B Booster Hose** ..... 4.25

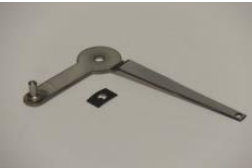
**HOSE CLAMP KIT**

- 18572-C **HOSE CLAMP KIT - All clamps needed for Radiator, Heater, Bypass, P/B Booster Flex Hose & P/S Return Line. Includes: (2) 8287-A, (2) 8287-B, (6) 18572-A, and (3) 18572-B.** ..... 14.30



**18574**

- 18574 Arm Heater Control Lower ..... 21.00
- 18575 Arm Heater Control Upper ..... 15.95



**18575**



**18578**

- 18578 Switch Heater Blower 2-Speed ..... 28.00
- 18584 Hose air duct to Heater Blower Round ..... 18.35



**18584**



**18584-A**

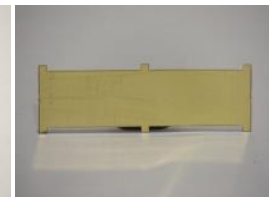
- 18584-A Metal Retainer Strap for 18584 ..... 1.45
- K18584A Kit 18584-A Strap to Duct and Housing ..... 1.75
- 18584-HD Heater Delete Block off Cap Heater Duct ..... 19.90
- 18599 Elbow Heater hose to Water Pump ..... 15.00



**18599**



**18619**



**18620**

- 18619 Faceplate Heater Control Plastic ..... 11.50
- 18620 Backing Plate for heater Faceplate ..... 5.35
- 18658 Gasket Heater Core to Case ..... 2.40
- 18688 Gasket Heater Duct to Case ..... 2.40



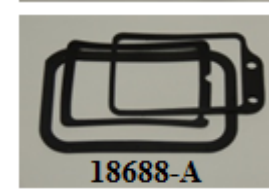
**18658**



**18688-A**



**18688**



**18688-A**

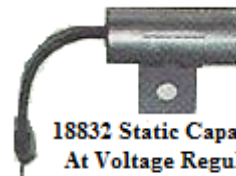
**HEATER GASKET SET**

- 18688-A 3 Piece Set: (1) 18570, (1) 18658, (1) 18688 ..... 6.95



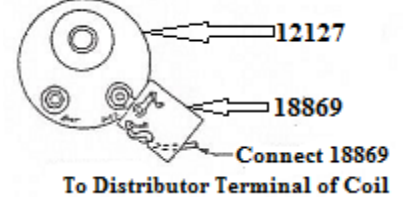
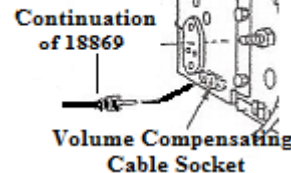
**Original Generator Capacitor  
FAA18827A**

- FAA18827A Generator Capacitor ..... Call



**18832 Static Capacitor  
At Voltage Regulator**

- 18832 Static Capacitor-Original ..... Call
- 18832-R Static Capacitor-Replacement ..... 19.75



- 18869 Radio Volume Control Wire 1957 Only ..... 31.88
- 370207-S Grommet for Radio Volume Control 18869 ..... 1.29

H  
I  
L  
L  
S  
  
T  
H  
U  
N  
D  
E  
R  
B  
I  
R  
D  
  
C  
E  
N  
T  
E  
R

**HEATER BOX / AIR CONDITIONING**



18954

Band Used at Spark Plug Wires and  
Used to Band Heater Hoses Together, 2-Each  
Band Used to Tie Heater Hoses Together .....

2.35



FAB19203A

19203-B

FAB19203A Handle Heater Box Door ..... 12.85  
\*19203-B Clip for 19203/ FAB19203A Retains  
Heater Box Door ..... Call  
19203-C Heater Box Used Original ..... Call



19203-R

19203-R is reconditioned like Original with Wrinkle Finish on Box  
\*19203-R Heater Box Reconditioned Original ..... 250.00  
Call for Stock Status on 19203-B and 19203-R

**AIR CONDITIONER KITS AND PARTS**

Under the Dash Air Conditioner Kit  
19700-ARK/KRK



**HILL'S THUNDERBIRD CENTER**  
29625 BASHAN ROAD  
RACINE, OHIO 45771  
866-949-1956

740-949-1957 FAX

CHECK OUT OUR CATALOG ON-LINE  
WWW.HILLSRESTO.COM

**AIR CONDITIONING AND PARTS**



19700-ARK Under Dash Unit, Uses R-12 Freon ..... 990.00  
19700-KRK Under Dash Unit, Uses R-134A Freon ..... 990.00  
**Does not come with Electric Fan, but is recommended**

**SANDEN A/C COMPRESSORS**

19703-A SD-507 A/C Compressor with Clutch 12-Volt..... 250.00  
19703-B SD-508 A/C Compressor with Clutch 12-Volt..... 250.00  
19703-D SD-507 A/C Compressor with Clutch 12-Volt  
Use with R-134A Freon ..... 250.00  
19712-A A/C Condenser..... 190.00  
19959-DR Drier T-bird A/C Kit (19703) O-ring fittings ..... 40.00  
2882-AR Bracket for A/C Compressor S/D-507 55/57  
Use with A/C Kits 19700-ARK and KRK ..... 150.00

**PERFECT FIT A/C KIT**

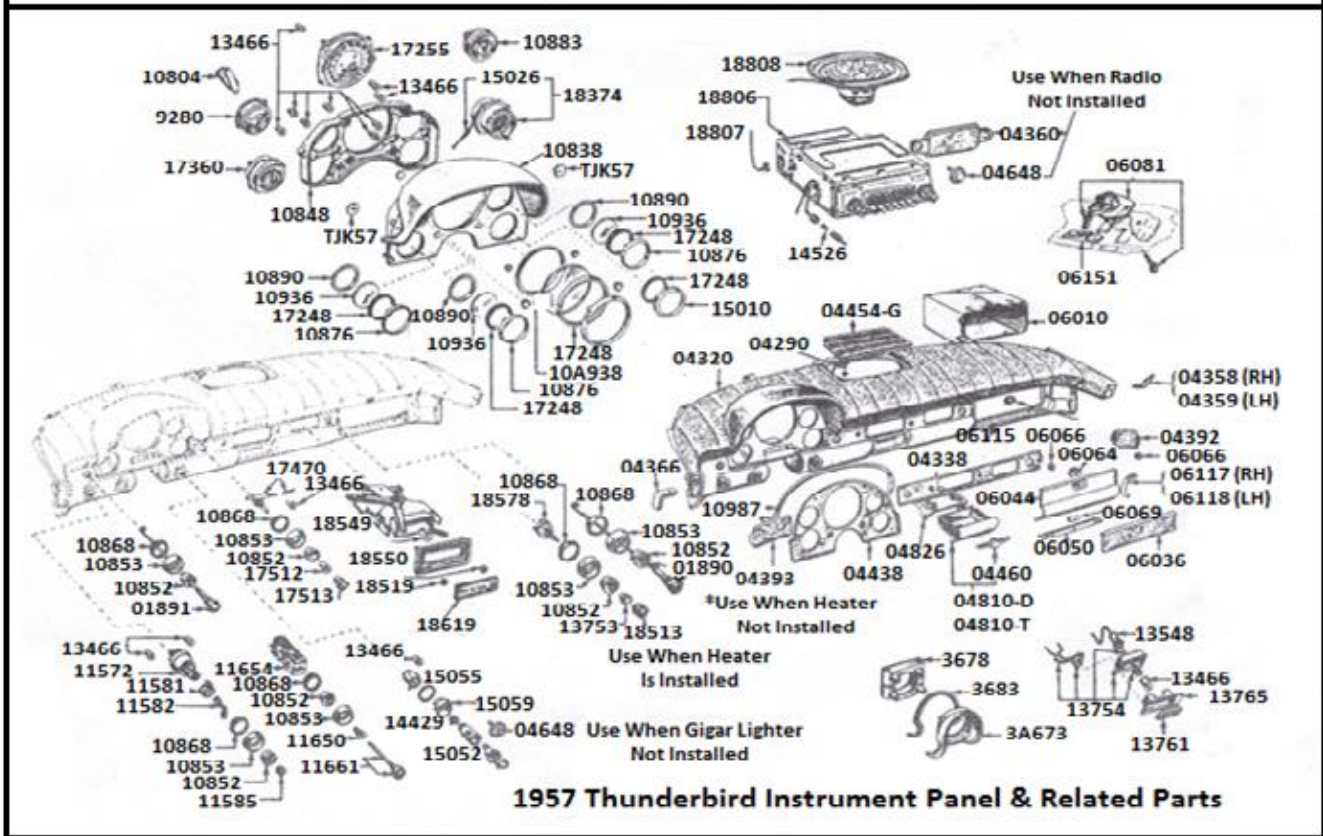
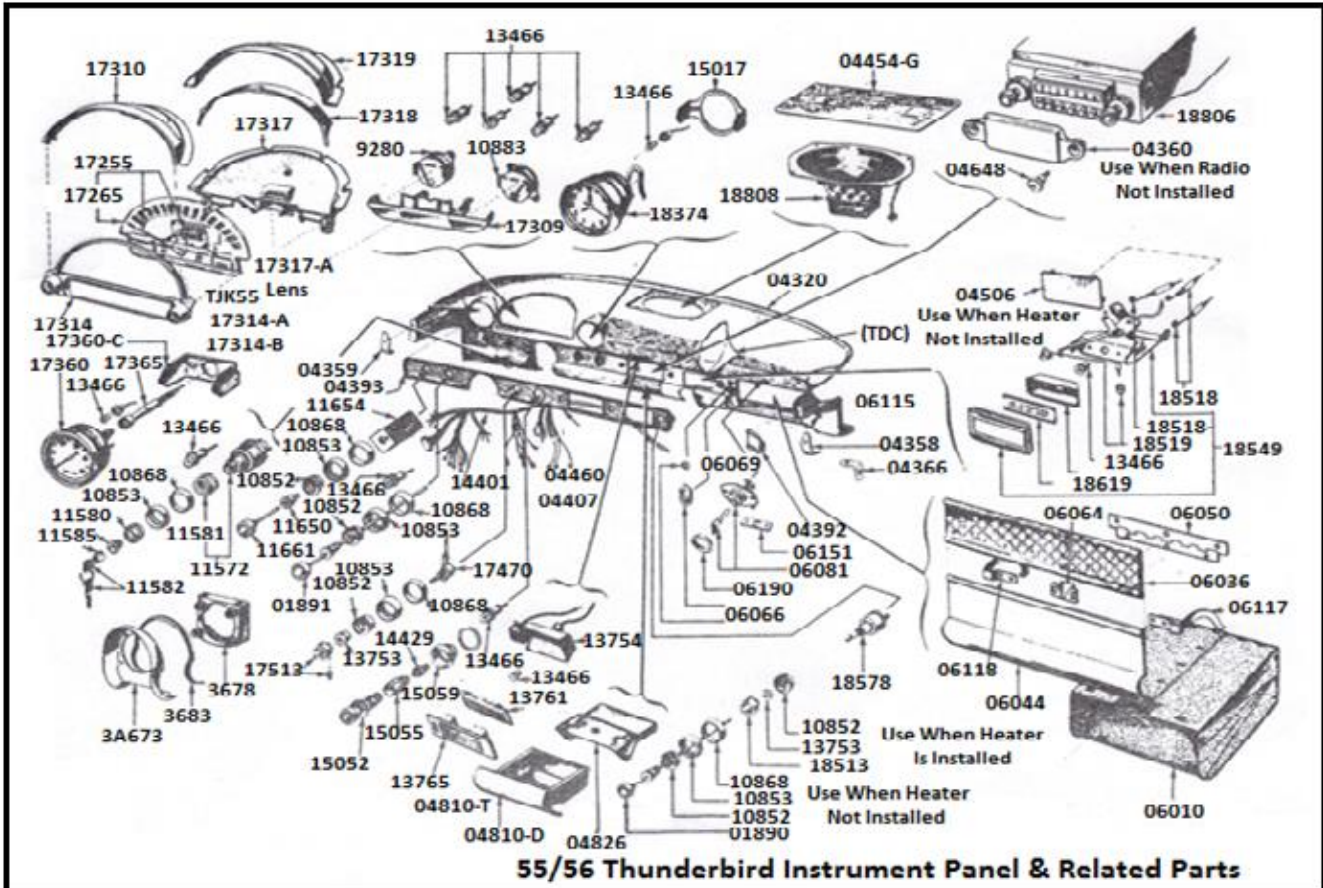
19700-PF



The Perfect Fit A/C Kit fits into your Original Heater Box area.  
Kit comes complete with Evaporator Box, A/C Compressor  
Condenser,  
Hoses, Vents, and Instructions.  
You will also be able to reuse your Original Heater Control  
And Blower Switch.  
This kit provides both Air Conditioning and Heat.  
Does not come with Electric Fan Kit, but is recommended.  
All parts have a 3-Year Warranty.

19700-PF Perfect Fit A/C Kit 12-Volt R-134A System ..... 1450.00  
8600C-12V Electric Fan Kit ..... 254.50

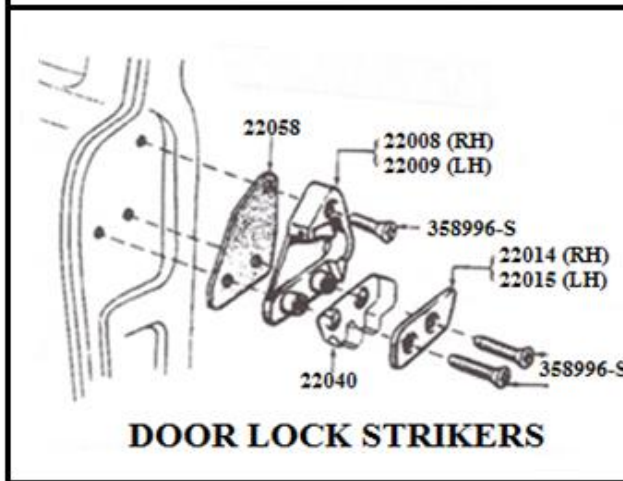
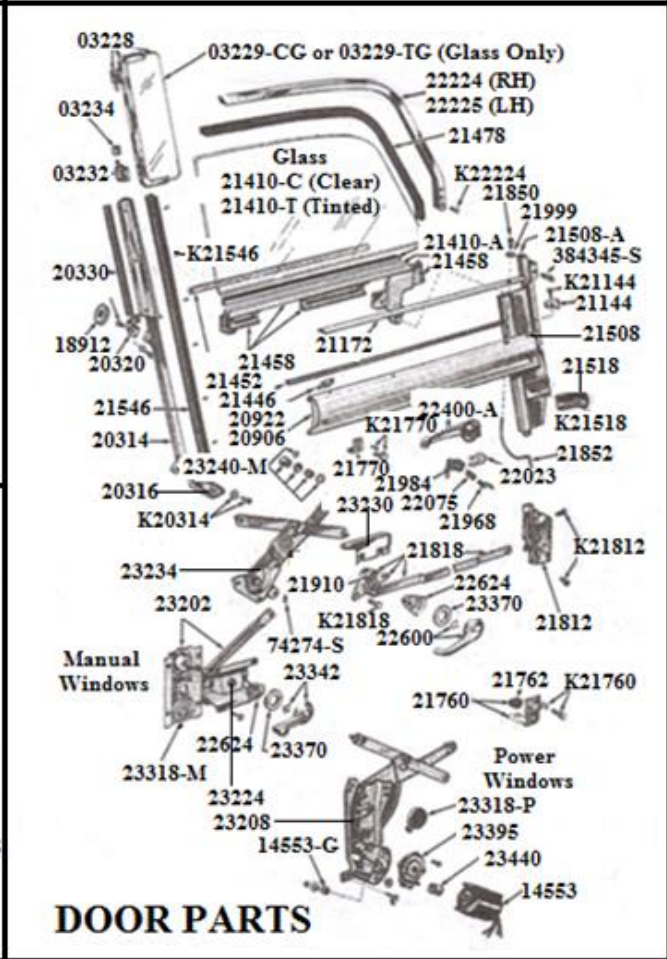
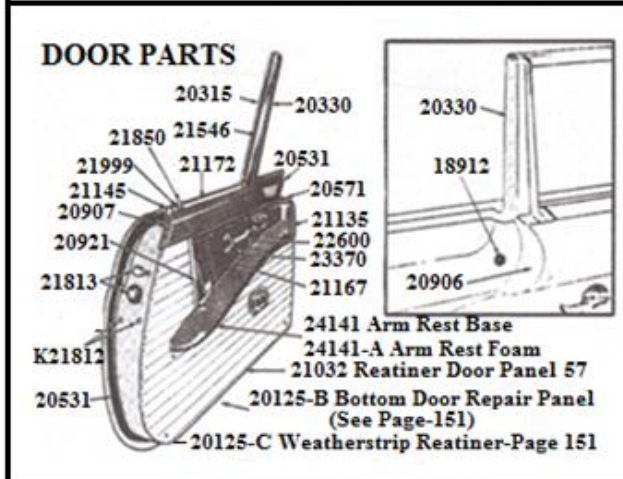
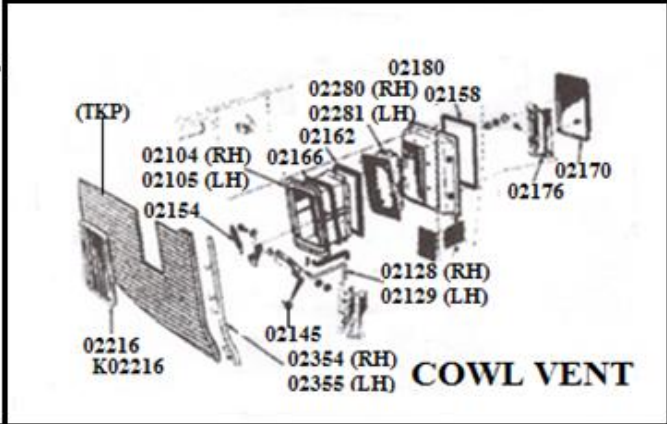
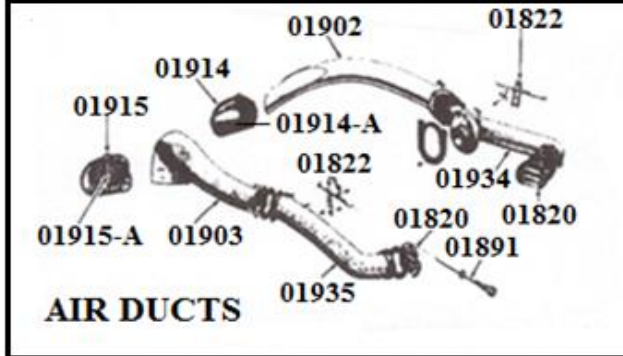
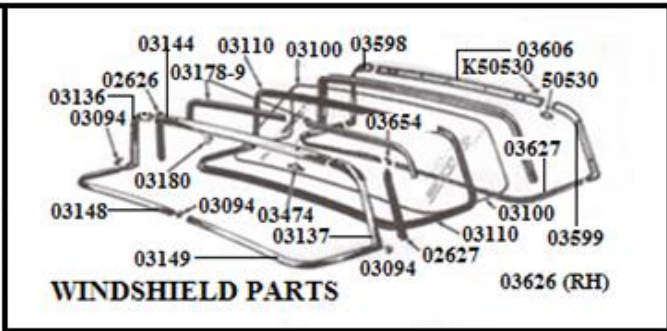
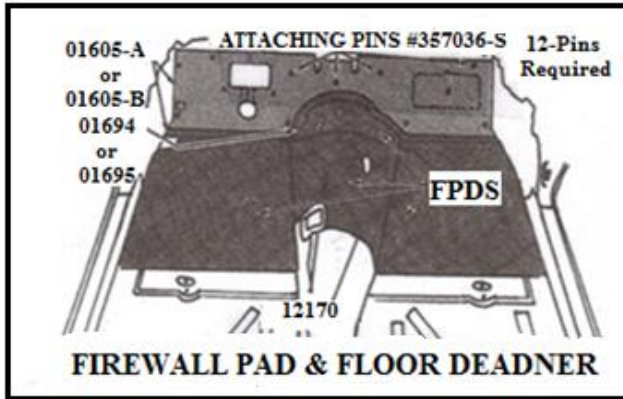
H  
I  
L  
L  
S  
  
T  
H  
U  
N  
D  
E  
R  
B  
I  
R  
D  
  
C  
E  
N  
T  
E  
R



H  
I  
L  
L  
S  
  
T  
H  
U  
N  
D  
E  
R  
B  
I  
R  
D  
  
C  
E  
N  
T  
E  
R



H  
I  
L  
L  
S  
  
T  
H  
U  
N  
D  
E  
R  
B  
I  
R  
D  
  
C  
E  
N  
T  
E  
R



## DASH / FIREWALL



00134



01508-B

00134	Spacer Brake Pedal Support.....	6.00
*01508-A	Support Assembly Brake Pedal A/T .....	75.00
*01508-B	Support Assembly Brake Pedal S/T .....	100.00



01605-A (Shown)

01605-A	Firewall Cover with Insulation 2-pieces .....	52.95
01605-B	Firewall Cover with Insulation 1-pieces .....	78.95
357036-S	Fastener Pins-Firewall Pad to Firewall .....	3.20
390018-S	Fastener Pins-Firewall Pad to Firewall-Plastic .....	2.00



14608-A 17543-C 17580-A 352962-S 353626-S 354125-S

01672	Grommet Set Firewall .....	16.00
-------	----------------------------	-------

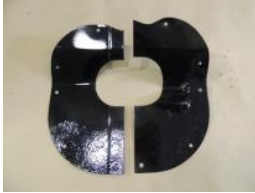


01694



01695

01694	Grommet Speedometer Cable S/T-O/D .....	6.25
01695	Grommet Speedometer Cable F/M .....	3.80



01698 01699



01820

*01698-A	Plate Firewall Cover around Steering Column RH....	Call
*01699-A	Plate Firewall Cover A/T around Steering Column LH.....	Call
*01699-B	Plate Firewall Cover S/T around Steering Column LH.....	Call
01820	Scoop Air Deflector .....	20.48
*01820-A	Scoop Air Deflector 55 Used Original.....	Call
*01820-B	Scoop Air Deflector 56/57 Used Original.....	Call



01822



01822-A

01822	Bracket Air Control Wire with Plated 01822-A Clip ...	7.85
01822-A	Clip Only Air Control Bracket .....	3.12

## VENT



01862



01863

01862	Air Duct Flapper without 01863 Rod .....	19.45
01863	Rod Air Duct Flapper Valve .....	12.60



01872



01880

01872	Seal Vent Air Duct to Apron.....	0.95
01880	Gasket Vent Air Duct.....	1.30
01880-F	Repair Flange for Center of Air Ducts 4-Per Car.....	19.95



01880-A



01890

### AIR DUCT GASKET KIT (6) PIECE

01880-A	Air Duct Gasket Set Includes: (4) 01880, (1) 01872, (1) 01973.....	7.50
01890	R/H Vent Control Cable & Knob-Complete Used only on 'Birds with No Heater .....	41.95
01891	Cable Vent Control with Knob LH .....	41.95

### AIR DUCTS

01902-F	Air Duct RH Front Fiberglass.....	189.00
*01902-M	Air Duct RH Front Metal .....	Call
01903-F	Air Duct LH Front Fiberglass .....	189.00
*01903-M	Air Duct LH Front Metal .....	Call
01934-F	Air Duct RH Rear Fiberglass with Flapper Valve.....	229.00
*01934-M	Air Duct RH Rear Metal .....	Call
01935-F	Air Duct LH Rear Fiberglass with Flapper Valve .....	229.00
*01935-M	Air Duct LH Rear Metal.....	Call



### AIR DUCT KIT

You save \$23.00

01900-K	Air Duct Set - Includes 01902, 01903, 01934, 01935 Has Flapper, Rods, and 01880-A Gasket Kit Ducts are Fiberglass Reproduction.....	829.00
01900-M	Same as Above, Original Metal .....	Call

H  
I  
L  
L  
S  
  
T  
H  
U  
N  
D  
E  
R  
B  
I  
R  
D  
  
C  
E  
N  
T  
E  
R

**AIR DUCT / VENT**



**01914-M**

01914-A	Screen Only Duct RH.....	3.70
01914-M	Scoop Air Duct RH Metal with Screen.....	83.75
01915-A	Screen Only Air Duct LH.....	3.70
01915-M	Scoop Air Duct LH Metal with Screen.....	83.75



**01934-MF**

**01934-5RF**

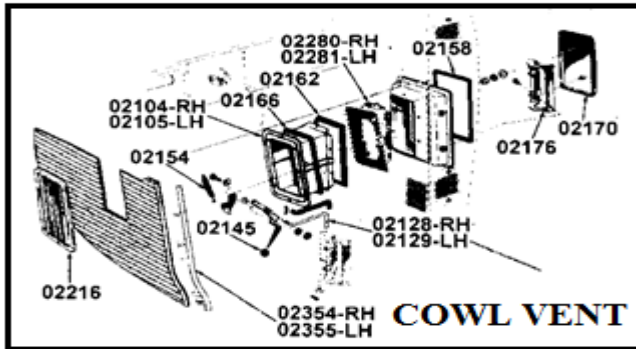
01934-MF	Mounting Flange – RH Duct to Apron.....	30.00
01934-5RF	Repair Flange for Rear of Air Duct.....	20.00
01935-B	Bracket – LH Rear Duct to Apron.....	20.00



**01973**

**02104**

01973	Seal Vent Air Duct to Apron.....	2.10
02104	Vent Box Inter Steel 56/57 RH.....	125.00
02105	Vent Box Inter Steel 56/57 LH.....	125.00



**02128**

**02132**

02128	Rod Side Vent Control 56/57 RH.....	7.00
02129	Rod Side Vent Control 56/57 LH.....	7.00
*02132	Clip Vent Door Outer RH/LH 1957 Only This Clip is 2" Long, Used Only.....	Call



**02140**



**02141**

02140	Arm Side Vent Door Actuating RH.....	14.00
02141	Arm Side Vent Door Actuating LH.....	14.00

**AIR DUCT / VENT**



**02154**



**02158**

02145	Knob Side Vent Door Control with Cross Recess Drive.....	4.75
02145-R	Knob Side Vent Door Control without Cross Recess Drive.....	4.75
02152	Spring Cowl Side Vent Control Rod.....	5.50
02154	Spring Side Vent Control 56/57.....	5.50
02158	Seal Side Vent Door 56/57 Original Molded Rubber.....	9.79
02158-A	Seal Side Vent Door 56/57 Die Cut Adhesive Back.....	3.15



**02162**



**02164**

02162	Seal Cowl Side Vent Inside Frame 56/57.....	2.10
02164	Clip Side Vent Control Rod RH 57 Replacement.....	1.50
02165	Clip Side Vent Control Rod LH 57 Replacement.....	1.50

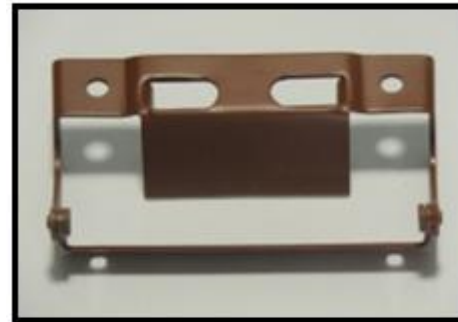


**02166**



**02170**

02166	Seal Cowl Side Vent Panel.....	2.10
*02170	Door Cowl Vent Used 56/57.....	40.00



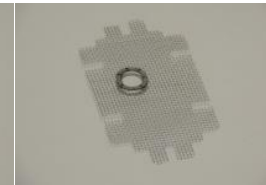
**02176**

02176	Hinge Side Vent Door 56/57.....	21.95
*02176-A	Hinge Side Vent Door Used Original 56/57.....	25.00
02180	Ram Assembly Cowl Vent RH with Drip Hole and Adjacent Nut Plate.....	199.95
02181	Ram Assembly Cowl Vent LH with Drip Hole and Adjacent Nut Plate.....	199.95

**VENT GRILLE / WINDSHIELD**



**02216**



**02280**

02216	Grille Cowl Side Vent Chrome.....	29.95
02280	Screen Cowl Side Vent 56/57 RH.....	6.25
02281	Screen Cowl Side Vent 56/57 LH.....	6.25

H  
I  
L  
L  
S  
  
T  
H  
U  
N  
D  
E  
R  
B  
I  
R  
D  
  
C  
E  
N  
T  
E  
R

## KICK PANEL / WINDSHIELD



02354



02626

### 02354 & 02355: Kick Panel Retainer, Paint Body Color

02344	Retainer Kick Panel RH .....	47.95
02355	Retainer Kick Panel LH .....	47.95
*02546	Stabilizer Instrument Panel 55/57 Front Body Pillar to Dash-Paint Black .....	25.00
02626	Weather-strip Front Body Pillar Upper RH .....	27.95
02627	Weather-strip Front Body Pillar Upper LH .....	27.95
*03064	Molding Windshield Side Frame Rear RH 55 Early Used Original .....	Call
*03065	Molding Windshield Side Frame Rear LH 55 Early Used Original .....	Call



03094-AR

03094-BR

*03094-A	Clip Windshield Trim Used Original 55 .....	Call
03094-AR	Clip Windshield Trim Reproduction 55 .....	6.25
*03094-B	Clip Windshield Trim Used Original 56/57 .....	Call
03094-BR	Clip Windshield Trim Reproduction 56/57 .....	6.25

## WINDSHIELDS, CLEAR/TINTED CORRECT LOGO MADE IN THE USA

03100-C	Windshield Clear .....	520.95
03100-T	Windshield Tinted .....	534.95

## WINDSHIELDS CLEAR/TINTED NO CORRECT LOGO

03100-CR	Windshield Clear .....	349.00
03100-TR	Windshield Tinted .....	349.00

<b>B5S4003110A</b>	<b>Windshield Weather-strip Made in the USA ...</b>	<b>82.00</b>
<b>03110-A</b>	<b>Weather-strip Windshield Imported .....</b>	<b>59.95</b>



Coming Soon  
Outside Vertical Moldings



03138

03137-R      03136-R

03136-R	Molding Outside Vertical RH Reproduction .....	295.00
03137-R	Molding Outside Vertical LH Reproduction .....	295.00
*03136	Molding Outside Vertical RH Used Original .....	Call
*03137	Molding Outside Vertical LH Used Original .....	Call
03138	Retainer Clip Inside Lower Outside Windshield Trim	4.25
*03144	Molding Windshield Center Outer .....	Call
*03148	Molding Windshield Outer RH .....	Call
*03149	Molding Windshield Outer LH .....	Call

## WIND WING / WINDSHIELD MOLDINGS



03178-9



03180

03178-9	Retainers Windshield Header Trim Pair .....	20.75
03180	Clip Windshield outside Top Molding Retainer (5-per car) .....	3.49



03228-C

03228-C	Wind wing Assembly Clear with FOMOCO RH .....	83.95
03228-T	Wind wing Assembly Tinted with FOMOCO RH .....	83.95
03229-C	Wind wing Assembly Clear with FOMOCO LH .....	83.95
03229-T	Wind wing Assembly Tinted with FOMOCO LH .....	83.95
03229-A	Retainer Strip for 03229 Glass Coat with Oil Install Glass Trim Excess .....	1.00
03229-CG	Glass wind wing Clear with FOMOCO Mark .....	18.25
03229-TG	Glass wind wing Tinted with FOMOCO Mark .....	18.50
03230	Hinge Upper wind wing RH with Rivets 56/57 .....	19.75
03230-A	Rivets Only for 03230 package of 2 .....	1.75
03231	Hinge Upper wind wing LH with Rivets 56/57 .....	19.75



03232



03234-K

03232	Hinge Lower wind wing RH .....	19.75
03233	Hinge Lower wind wing LH .....	19.75
03234	Bushing wind wing Hinge Each .....	2.50
03234-A	Screw set for wind wing Tension Adjusting Package of 4 .....	2.00
03234-K	Wind wing Bushing and Screw Set .....	12.00

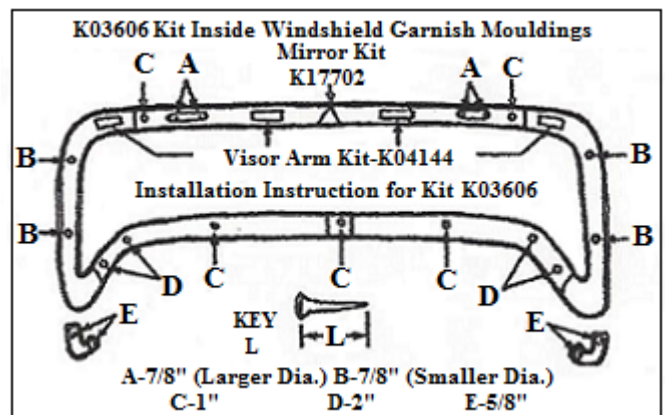


03458



03458-NUT

03458	Alignment Dowel Top Header .....	10.45
03458-NUT	Retainer Nut for 03458 Soft Top .....	1.50



K03606	Windshield Garnish Mouldings Inside to Windshield Frame - Does not Include K17702 & K04144 .....	5.00
--------	---	------

**VISOR ARMS / DASH TRIM**



**03474**                      **03598**

- |          |   |       |
|----------|---|-------|
| 03474    | Bracket Hardtop Locating .....                    | 24.95 |
| *03598-A | Molding Windshield inside Vertical RH 55 .....    | Call  |
| *03598-B | Molding Windshield inside Vertical RH 56/57 ..... | Call  |
| *03599-A | Molding Windshield inside Vertical LH 55 .....    | Call  |
| *03599-B | Molding Windshield inside Vertical LH 56/57 ..... | Call  |
| *03606-A | Molding Windshield inside Upper 55 .....          | Call  |
| *03606-B | Molding Windshield inside Upper 56/57 .....       | Call  |
| *03626   | Molding Windshield inside Lower RH 55/57 .....    | Call  |
| *03627   | Molding Windshield inside Lower LH 55/57 .....    | Call  |



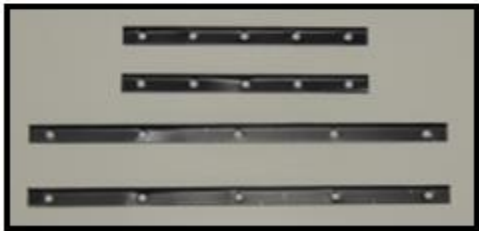
**03654**                      **04114**

- |          |  |      |
|----------|--|------|
| 03654    | Cover inside Lower Windshield<br>Molding at Center Chrome Reproduction ..... | NLA  |
| *03654-A | Same as above, Used, Original .....  | Call |
| 04114    | Elbow Sun visor Chrome .....   | 4.95 |



**04132**                      **04144-B**

- |          |  |        |
|----------|--|--------|
| 04132    | Clip to Retainer Visor to Header ..... | 19.95  |
| 04144-A  | Arm and Bracket Visor RH 56 .....      | 39.98  |
| 04144-B  | Arm and Bracket Visor RH 57 .....      | 39.98  |
| 04145-A  | Arm and Bracket Visor LH 56 .....      | 39.98  |
| 04145-B  | Arm and Bracket Visor LH 57 .....      | 39.98  |
| *04230-A | Dash Metal Shell Used 55/56 .....      | 400.00 |
| *04230-B | Dash Metal Shell Used 57 .....         | 400.00 |



**04291**

- |        |   |       |
|--------|---|-------|
| 04291  | Retainer Straps 57 Padded Dash Full Set ..... | 11.90 |
| K04291 | Kit Install 04291 .....                       | 2.00  |



**04338-A**                      **04338-B**

- |          |  |        |
|----------|--|--------|
| 04338-A  | Dash Trim Center 55/56 .....   | 105.00 |
| 04338-B  | Dash Trim Center 57 .....  | 105.00 |
| 04338-AK | Dash Trim Set 55/56 4 Pieces .....   | 299.40 |
| 04338-BK | Dash Trim Set 57 4 Pieces .....  | 299.40 |
| 04338-CK | Dash Trim Set 57 5 Pieces .....  | 414.90 |
| 04337-AK | Dash Aluminum Trim 55/56 Center & LH pieces<br>Without Holes, Sold as Pair ..... | 154.50 |

**DASH TRIM / INSTRUMENT PANEL**



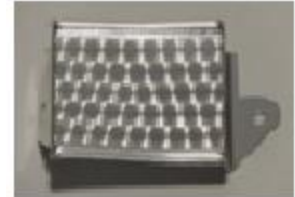
**04358**                      **04359**

- |       |                                     |       |
|-------|-------------------------------------|-------|
| 04358 | Plate Dash Panel Lower End RH ..... | 15.75 |
| 04359 | Plate Dash Panel Lower End LH ..... | 15.75 |



**04366**

- |        |                              |       |
|--------|------------------------------|-------|
| *04366 | Bracket Dash Mounting .....  | 15.00 |
| 04392  | Dash Trim End RH 55/57 ..... | 52.50 |



**04392**



- |         |                              |       |
|---------|------------------------------|-------|
| 04393-A | Dash Trim End LH 55/56 ..... | 52.50 |
| 04393-B | Dash Trim End LH 57 .....    | 52.50 |



**04393-B**



**04407**

- |       |                                 |        |
|-------|---------------------------------|--------|
| 04407 | Emblem Glove Box V8 55/56 ..... | 11.65  |
| 04438 | Trim Instrument Panel 57 .....  | 115.00 |



**04438**



**04454-A**

- |          |   |      |
|----------|---|------|
| 04454-A  | Spacer Kit Speaker Grille 57 .....                | 3.95 |
| *04454-G | Speaker Grille Used Original .....                | Call |
| K18808   | Radio Speaker (18808) to Dash-Wing Nuts 4-pcs ... | 2.00 |
| K04454   | Speaker Grille to (04454G) Dash 8-pcs .....       | 1.80 |

**04454-G**



**04454-S**

- |         |   |       |
|---------|---|-------|
| 04454-S | Stud Retains Speaker Grille into Dash 4-Required .. | 1.85  |
| 04460   | Nameplate on Dash (Not Safety Pad 55/56) .....      | 22.95 |



**04460**

H  
I  
L  
L  
S  
  
T  
H  
U  
N  
D  
E  
R  
B  
I  
R  
D  
  
C  
E  
N  
T  
E  
R



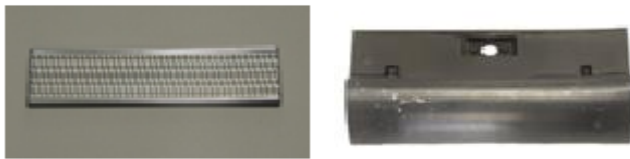
**ASH TRAY / GLOVE BOX**



- \*04810-D Door Ash Tray Used Original ..... 20.00
- \*04810-T Ash Tray Used Original..... 50.00



- \*04826 Ash Tray Track Retainer ..... 20.00
- 06010 Glove Box..... 19.95



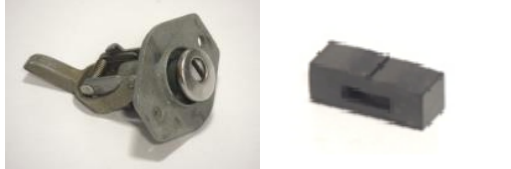
- 06036 Spun Metal Trim Glove box..... 115.00
- \*06044 Gove Box Door Used Original..... 40.00



- 06050 Hinge Glove Box Door Replacement Type ..... 5.25
- 06050-A Hinge Glove Box Door Used Original..... 7.50
- 06064 Catch Glove Box Door Plated ..... 9.95



- 06066 Grommet and Bumper Set Glove box Door..... 7.50
- 06069 Spring Glove Box Door ..... 7.99



- \*06081-A Lock Assy. Glove Box-Used Original without Keys... Call
- \*06081-B Lock Assy. Glove Box-Used Original with Keys ..... Call
- \*06081-F Fork Only Glove Box Lock ..... Call
- \*06081-N Lock Assembly Glove Box-New Old Stock..... Call
- \*06115 Bumper Glove Box Door Arm..... 3.00



- 06117 Arm Glove Box Door New RH ..... 6.00
- 06118 Arm Glove Box Door New LH ..... 6.00

**GLOVE BOX / TRUNK AREA**



- 06151 Catch Glove Box Lock Plastic..... 5.75
- 06190 Bezel Glove Box Lock ..... 6.95



- 11135-CK Floor and Cowl Rubber Plug Kit 10 piece 55/56..... 17.15
- 11136-K Floor and Cowl Rubber Plug Kit 11 pieces 57..... 17.15

**TRUNK AREA PARTS**

- 11135-CK Same as above, concourse Correct..... 19.40
- 11136-K Plugs Quarter Panel Drain 55/57 ..... 5.95



- 11215-A Brace Trunk Floor to Rear Panel 55/56 ..... 24.00
- 11215-B Bracket Spare Wheel Bolt 55 Welds to Trunk Floor..... 9.45



- 11215-C Support Spare Wheel 55 Welds to Trunk Floor..... 7.30
- 11215-D Bracket Jack Strap Retainer Welds to Trunk Floor 55/56 ..... 3.40



- 11215-D7 Bracket Jack Strap Retainer 57 Welds to Trunk Floor ..... 3.40
- 11215-E Bracket Jack Post Welds to Wheelhouse ..... 1.30



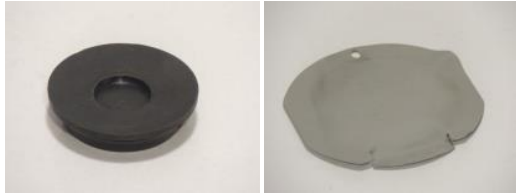
- 11215F-RH Repair Panel Forward Trunk Body Mount RH..... 44.95

H  
I  
L  
L  
S  
  
T  
H  
U  
N  
D  
E  
R  
B  
I  
R  
D  
  
C  
E  
N  
T  
E  
R

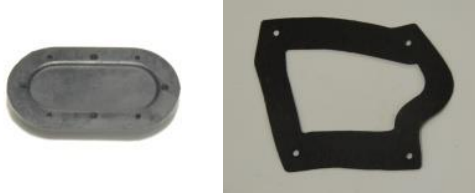
**TRUNK FLOOR-DOOR SILL PLATES  
DOOR PILLARS**



- 11215F-LH Repair Panel Forward Trunk Body Mount LH..... 44.95
- 11215-G Reinforcement Plate and Studs for Swing Bar Foot Mounts under Trunk Floor..... 26.00



- 11215-P Plug Wheel Well 57 ..... 1.65
- 11290 Cover Fuel Gauge on Trunk Floor..... 10.50



- 12128 Plug Floor Access Hole..... 11.50
- 12170 Gasket Transmission Governor Access Cover for 7324 Plate ..... 1.85



- 13398 See 43720-A for 1957 Deck Lid Bumpers Bumpers Trunk 55/56; FOMOCO Oval and Screws . 9.60



- 13208-C Sill (step) Plate Door RH..... 35.95
- 13209-C Sill (step) Plate Door LH ..... 35.95
- K13208 Kit Step Plates to Body ..... 2.60

- 20125-C Weather-strip Retainer-Bottom of Door..... 21.00  
See Page 151 for Illustration/Picture

- 20314-A Door Pillar (Post) 55 RH Reproduction..... 179.95
- 20314-B Door Pillar (Post) 56/57 RH Reproduction..... 179.95
- 20315-A Door Pillar (Post) 55 LH Reproduction ..... 179.95
- 20315-B Door Pillar (Post) 56/57 LH Reproduction ..... 179.95

See 21546 for Door Pillar Glass Run

**DOOR PARTS**



- 20316 Bracket Door Post Mounting RH Used..... 20.00
- \*20317 Bracket Door Post Mounting LH Used ..... 20.00
- 20318 Shield-Plastic Between Door and Door Panel.... 2.90
- 20320 Bracket Door Pillar to Door RH..... 13.60
- 20321 Bracket Door Pillar to Door LH ..... 13.60
- 20330 Weather-strip Door Pillar Original Size ..... 2.55
- 20530 Weather-strip Door RH..... 33.50

B5S4020530PR Weather-strip Best Quality Pair ..... 67.00

- 20531 Weather-strip Door LH..... 33.50

Install Door Weather Strips using 08008 Adhesive

**DOOR WEATHERSTRIP KIT**

Includes: (2) 20330, (1) 20530, (2) 20570, (1) 20571, (2) 22428, (2) 22448, (2) 18912

- 20532-K 1955/57 ..... 88.70



20570 (RH) 20571 (LH) (Shown)



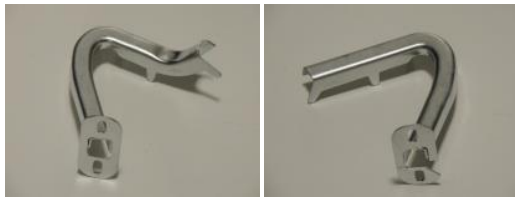
- 20570 Weather-strip on Door at Belt RH 56/57 ..... 2.95
- 20571 Weather-strip on Door at Belt LH 56/57 ..... 2.95



- 20572 Retainer Door with Strip above Lock RH 57..... 13.25
- 20573 Retainer Door with Strip above Lock LH 57 ..... 13.25
- K20572 Kit Door Weather strips Retainers to Doors ..... 1.20

H  
I  
L  
L  
S  
  
T  
H  
U  
N  
D  
E  
R  
B  
I  
R  
D  
  
C  
E  
N  
T  
E  
R

**DOOR**



- 20768 Shield Wiring Protector Door RH..... 31.45
  - 20769 Shield Wiring Protector Door LH..... 31.45
  - K20768 Door Wiring Shields to Doors – 4 Pieces ..... 1.00
- 20768 & 20769 were Cadmium Plated**



- 20906 (RH)** Garnish Molding Door Steel RH..... 49.95
- 20907 (LH)** Garnish Molding Door Steel LH ..... 49.95
- K20906 Door Garnish Rail to Doors..... 2.50
- K20906A Same as Above with Oversize Threads ..... 3.00



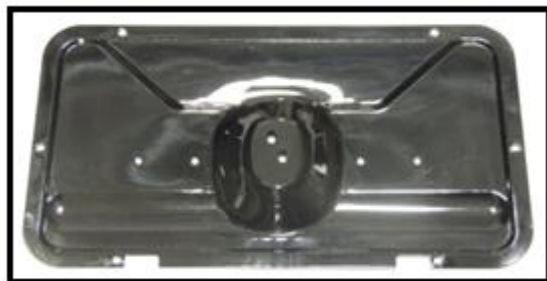
- 20918** Retainer Door Garnish Molding Spacer (20922)..... 2.50
- 20920 Molding L Shape Door Trim RH..... 14.99
- 20921 Molding L Shape Door Trim LH..... 14.99



- 20921** Bracket Door Garnish Rail 2/Door..... 18.00
- 20922** Use 20918 Retainers to Attach 20922 Brackets

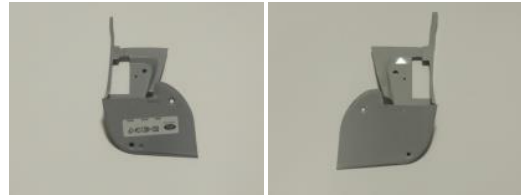
**21032 Retainer Door Panel at Bottom RH/LH 57 ... 14.70**  
See Page 153 for Illustration/Pictures of 21032

**K21032 Door Panel Retainers (21032-3) – 57 – 8 pieces... 1.50**



- 21122-M**  
See 21760 Bracket and 21762 Bumper for Window Stop 55/56 and 21508-B 57 Window Stop
- 21122-F Door Access Panel – Fiberglass ..... 42.65
  - \*21122-M Door Access Panel Metal Used Original ..... Call
  - 21122-57 Door Access Panel Flat – Use on 1957 Only ..... 18.95
  - K21122 Door Access Plates to Doors ..... 3.20

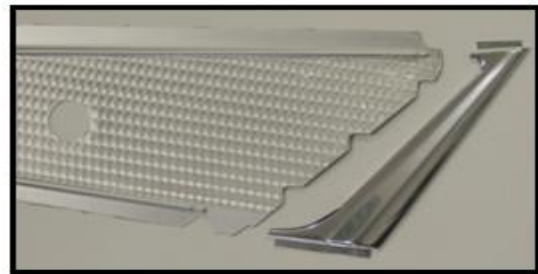
**DOOR**



- 21134** Spacer Door Molding Front Steel RH..... 41.15
- 21135** Spacer Door Molding Front Steel LH ..... 41.15
- \*21134-F Spacer Door Molding Front Steel RH Ford Original . 50.00
- K21134 Kit Door Molding Spacers to Doors W/351802-S..... 5.00



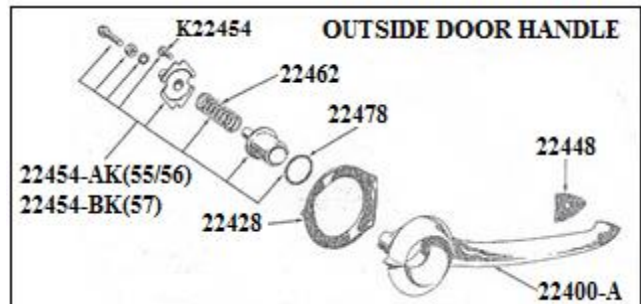
- 21144-A** Plate Door Garnish Lock Side RH 1 Hole Early 55 .. 34.85
- 21144-B** Plate Door Garnish Lock Side 2 Hole 55/57..... 24.95
- 21145-A** Plate Door Garnish Lock Side LH 1 Hole Early 55 ... 34.85
- 21145-B** Plate Door Garnish Lock Side 2 Hole 55/57..... 24.95
- K21144 Door Garnish Plates (21144/5) to Doors – 4 Pieces 1.25



- 21166** Panel Door Trim RH ..... 104.95
- 20920** Panel Door Trim LH..... 104.95
- 21167-C Panel Door Trim LH with Hole for P/S Switches ..... 109.95
- 21172 Molding Door Trim Garnish Stainless ..... 28.10
- K21172 Kit Door Molding Trim (21172) to Garnish Rail ..... 6.00



(Top to Bottom) 21172, 21410-A, 21452-AK, 21478, 21456



**H  
I  
L  
L  
S  
  
T  
H  
U  
N  
D  
E  
R  
B  
I  
R  
D  
  
C  
E  
N  
T  
E  
R**

**DOOR GLASS**

\*Date code can be put on glass for \$6.00 each glass.  
Please advise us of the production date.  
\*\$3.00 extra boxing & shipping charge.

21410-C	Glass Door Clear with FOMOCO .....	44.00
21410-T	Glass Door Tinted with FOMOCO.....	45.00
21410-A	Retainer Strip 21410 Glass at Bottom, Coat with Light Oil. Install Glass, Trim Excess. 1/Glass .....	1.50

21446	Weather-strip Door Glass Inner Pair .....	8.50
21452	Weather-strip Door Glass Outer Pair with Clips.....	12.60
21452-S	Cat Whisker Clip 55/57 .....	0.60

**CATWHISKER SET BEST QUALITY**

<b>21452-AK</b>	<b>Weather-strip Set</b> Includes: (2) 21446, (2) 21452, Best Quality .....	<b>36.95</b>
-----------------	--	--------------



21458



21509-RB

21458	Channel Assembly Door Glass RH .....	66.14
21459	Channel Assembly Door Glass LH.....	66.14

Requires 21410-A Retainer for Door Glass Channel (21458-21459)

21478	Retainer Door Glass Upper Rubber .....	3.20
21508-A	Lining Mole Skin on 21508 and 21509 Door Glass Run.....	3.50
21508-B	Bumper Window Stop 57, See 21762 for 55/56, 1957 Stop Goes in Bottom of Rear Channel .....	4.80
K21508	Kit Rear Window Channels to Doors.....	1.50

**CHANNEL ASSEMBLY  
REAR OF DOOR GLASS**

Restored Originals Ready to Install

*21508-RA	55/56 RH Side .....	120.00
*21508-RB	57 RH Side .....	120.00
*21509-RA	55/56 LH Side.....	120.00
*21509-RB	57 LH Side.....	120.00



21508-B



21518



21850

*21518	Bracket Attaches to 21508-9 Channel Used.....	20.00
21546	Run Door Glass Hinge Side .....	20.00
K21546A	Kit Door Glass Run to Pillar .....	2.70
K21546B	Kit Door Glass Run to Pillar Rivet Type Requires 21546-T Tool to Install .....	4.00

**DOOR**



21760



21762

21760	Bracket Lower Window Stop with Bumper 55/56 (See 21508-B for 57).....	14.65
K21760	Kit Lower Window Stops to Access Panels.....	2.00
21762	Bumper Lower Window Stop Rubber.....	1.65



21770



21812-S

21770	Bracket Upper Window Stop 4/Car .....	4.10
K21770	Kit Upper Window Stops to Door .....	2.40
21812-S	Spring Inside Door Lock Assembly .....	5.20



21812-AR



21813-B

Tech Tip: This item should be cadmium plated,  
or sprayed with argent paint. 21812/21813

K21812	Kit Door Latch Assembly to Door .....	3.50
--------	---------------------------------------	------

**DOOR LATCH ASSEMBLY**

Rebuilt Exchange

21812-AR	RH 55.....	69.95
21812-BR	RH 56/57 .....	69.95
21813-AR	LH 55 .....	69.95
21813-BR	LH 56/57 .....	69.95
	Core Charge.....	150.00

**New Reproduction Door Latches**

21812-B	Door Latch Assembly-New 56/57 RH.....	95.00
21813-B	Door Latch Assembly-New 56/57 LH.....	95.00



21818

21818	Remote Door Handle Control RH .....	47.95
21819	Remote Door Handle Control LH.....	47.95
K21818	Kit Door Remotes to Doors.....	2.50
21850	Lock Button High Polish Stainless .....	6.95
21852	Rod Door Lock Button .....	11.50
21910	Spring Door Handle Remote.....	5.20
21952	Clip Door Lock Rod Retaining .....	3.15

H  
I  
L  
L  
S  
  
T  
H  
U  
N  
D  
E  
R  
B  
I  
R  
D  
  
C  
E  
N  
T  
E  
R

DOOR



21971-R 21999

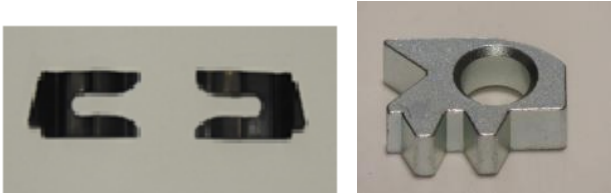
21971-R	Lever Door Lock Operating .....	6.95
21984	Lock Door with Keys RH Individual Lock .....	46.95
21985	Lock Door with Keys LH Individual Lock .....	46.95
<b>(Complete Set PN 22050)</b>		
21999	Grommet Door Lock Knob .....	1.00
22007-A	Spring Flip Lid Trunk Lock Housing 55/56.....	3.50
22007-B	Spring Flip Lid Trunk Lock Housing 57.....	3.50



\*22008-B 22014

22008-A	Plate Door Lock Striker RH 55 .....	23.95
22008-B	Plate Door Lock Striker RH 56/57 .....	20.95
22009-A	Plate Door Lock Striker LH 55.....	23.25
22009-B	Plate Door Lock Striker LH 56/57 .....	20.95
354488-S	Screw-Door Lock Striker Plate 55-Each .....	1.10
358996-S	Screw- Door Lock Striker Plate 56/57-Each .....	1.10
22014	Striker Plate Cover 56/57 RH.....	15.65
22015	Striker Plate Cover 56/57 LH .....	15.65

\*Note: You can use the 22008-B & 22009-B on a 55 Bird.  
But will also need to change to the 21812-B & 21813-B Latches  
The 56/57Style Latches were a better design & stronger



22023-A 22023B 22040

22023-A	Clip Door Lock Assembly to Door RH .....	3.95
22023-B	Clip Door Lock Assembly to Door LH .....	3.95
22023-K	Door Lock Clips – RH & LH, Pair .....	7.50
22040	Insert Only Door Lock Striker .....	12.40



22042 22050

22042	Gasket Door Lock Cylinder Each .....	1.00
<b>(22042 were not originally on the Door Lock Cylinders)</b>		
22050	Lock Set Doors and Ignition with Keys Both Doors & Ignition Keyed the Same.....	79.65

See 11582 for Ignition Switch Cylinder and Keys  
See 43505 for Trunk Lock Cylinder and Keys



22053 22053-K

22053	Key Blank Ignition Switch and Door .....	2.00
22053-K	Dash Knob Key, Looks like Other Dash Knobs Has Been Modified to Hold an Ignition Key .....	17.50

DOOR



22058 22075

22058	Shim Door Lock Striker Plate as Required.....	1.75
22075	Spring Door Lock Operating Lever .....	0.75

DOOR GLASS STAINLESS MOULDING



22225 22224

The Door Glass Stainless Moldings are a New Item  
These are Made Here in the USA

22224	Molding Door Glass Stainless RH.....	250.00
22225	Molding Door Glass Stainless LH .....	250.00
K22224	Door Glass Stainless to Channel Casting – 6 pieces .....	2.00



22400-A 22428 22448

22400-A	Door Handle Die Casting – Chrome Plated, Pair .....	42.00
K22400A	Kit Install Door Handle.....	1.75
22428	Pad – Outside Door Handle – Large .....	1.00
22448	Pad – Outside Door Handle – Small .....	1.00
22428-K	Pad Kit – Outside Door Handle 4-pcs. (2-22428 & 2-22448) .....	3.80



22454-BK 22600-A

22454-AK	Outside Door Handle Button 55/56 .....	39.95
22454-BK	Outside Door Handle Button 57 .....	39.95
22462	Spring outside Door Handle Button .....	1.10
22478	Seal outside Door Handle Button.....	1.35



22600-B 22624

22600-A	Handle – Door Inside – 55/56 .....	24.95
22600-B	Handle – Door Inside – 57 .....	24.95
357550-S	Lock Ring Inside Door Handle-Comes with 22600...	0.40
22601-T	Tool Door Handle Remover .....	8.00
22624	Spring – Behind Door and Window Handle.....	1.00

H  
I  
L  
L  
S  
  
T  
H  
U  
N  
D  
E  
R  
B  
I  
R  
D  
  
C  
E  
N  
T  
E  
R

# 118 REBUILT DOOR HINGES-WINDOW KITS



	<b>22810-BR</b>	<b>22810-AR</b>	<b>22810-B</b>	
*22810-AR	Hinge Rebuilt 55 One Hole .....			45.00
*22810-BR	Hinge Rebuilt 56/57 Two Hole .....			45.00
	Core Deposit on Hinge .....			50.00

\*Limited Availability at Times

22810-B	Pin & Bushing Kit Door Hinge .....	11.50
---------	------------------------------------	-------



	<b>23202</b>	<b>23208-R</b>	
23202	Regulator Window Manual RH .....		99.95
23203	Regulator Window Manual LH .....		99.95

**\*\*NOTE: 23202 / 23203 Inner Hole use for 55/56\*\*  
Outer Hole use for 57'S**

K23202	Kit Manual Window Regulators to Doors .....	7.50
--------	---	------



	<b>23224</b>	<b>23230</b>	
*23208-R	Regulator Power Window RH Original .....		Call
*23209-R	Regulator Power Window LH Original .....		Call
*23224	Bracket Regulator Assembly to Door Used .....		30.00
*23230	Bracket Window Roller Assembly Used .....		20.00

## POWER WINDOW KITS



**Made in the U.S.A.**

Having trouble with your old power windows or would just like to add power windows to your T-Bird? You can now install this new modern system designed by us that is made right here in the USA. We offer four different kit which includes New Relays, Regulators, Motors, Wiring. Everything you need to get the job done.

New improvements to the kit include a safety relay and harness, larger diameter pins for a better fit of the steel rollers. Kit comes with a Lifetime Warranty on Mechanical Parts and a 5 Year Warranty on the motors. All new instructions with colored pictures for easy installation and a good thing about this kit is, there are no wires to cut.

## POWER WINDOW KITS

23208-A	<b>Complete Power Window Kit for 1955-57 12-Volt T-Birds without power windows &amp; without power seats. Includes: New regulators, rollers, motors, relays, wiring, door guards, switches, attaching hardware, &amp; instructions.....</b>	1049.00
23208-B	<b>Complete Power Window Kit for 56/57 T-Birds with existing power windows and power seats. Includes: New regulators, motors and relays, rollers, attaching hardware, &amp; instructions.....</b>	649.00
23208-C	<b>Complete Power Window Kit for 55/56/57 12-Volt T-Birds with existing power seats and manual windows. Includes: New regulators, motors, relays, wiring, door guards, switches, rollers, attaching hardware, &amp; Instructions.....</b>	1049.00
23208-D	<b>Complete Power Window Kit for 55 T-Birds converted to 12-Volt with existing power windows. Includes: New regulators, rollers, motors, relays, terminal block, attaching hardware, &amp; instructions.....</b>	649.00



**23234-A 23235-A**

**New Item, Made in the USA**

23234-A	Window Scissor Assembly New RH 55/56 .....	124.95
23234-B	Window Scissor Assembly New RH 57 .....	124.95
23235-A	Window Scissor Assembly New LH 55/56 .....	124.95
23235-B	Window Scissor Assembly New LH 57 .....	124.95
K23234	Kit Window Scissors to Door 55/57 .....	2.00



**23240-M**

**23279**

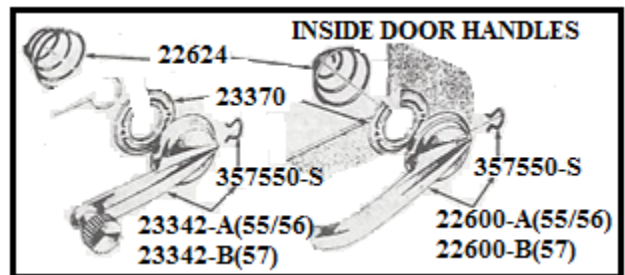
23240-M	Roller Window Regulator All Metal .....	8.50
23240-P	Roller Window Regulator Plastic.....	5.50
23279	Coupling Power Seat Motor .....	11.00
23318-M	Spring Manual Window Regulator Assembly .....	8.35
23318-P	Spring Power Window Regulator Assembly .....	8.35



**23342-A**

**23342-B**

23342-A	Handle Window Regulator 55/56 .....	24.95
23342-B	Handle Window Regulator 57 .....	29.95
357550-S	Lock Ring - Window Handle-Comes with Handle....	0.40



H  
I  
L  
L  
S  
  
T  
H  
U  
N  
D  
E  
R  
B  
I  
R  
D  
  
C  
E  
N  
T  
E  
R

**DOOR**



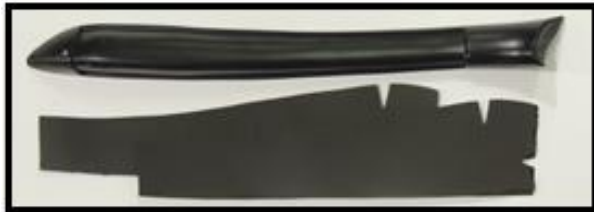
- 23370 Plate Window or Door Handle 55/56 ..... 1.00
- 23370-B Plate Window or Door Handle 57 ..... 1.00
- 23395 & 23396 Used Original-Reconditioned**
- \*23395 Power Window Motor Transmission RH 55/57 ..... 75.00
- \*23396 Power Window Motor Transmission LH 55/57 ..... 75.00
- 23395-B Bearing Only Power Window Drive ..... 10.00



- 23395-K Repair Kit Power Window Transmission ..... 52.95



- 23340 Coupling Power Window Motor to Drive ..... 15.00
- 23504 Door Check Arm ..... 10.45
- 76001-S Pin Door Check Strap Retainer with Clip ..... 5.85



24140 (Top) 24141-A (Bottom)

- 24140 Arm Rest Body RH Fiberglass ..... 79.95
- 24141 Arm Rest Body LH Fiberglass ..... 79.95
- 24141-A Foam Only for Arm Rest Adhesive Back ..... 7.40



24143 - PAIR

- 24143 Arm Rest Cardboards 55/57 Pair ..... 6.00
- K24140 Kit Arm Rest Base to Door Panels ..... 2.75



25622

- 25622 Thunderbird Script on Quarter 55/56 ..... 26.20
- K25622 Kit to Install 25622 Nameplates 55/56 ..... 2.60
- 25648-9RK Stone Guard Fender Skirts, Pair, Includes 25650 Brackets ..... 94.95
- 25650 Bracket for Attaching Stone Guards ..... 4.45

**MEDALLION / FENDER SKIRTS**



25648-9RK

- 25648-9RK Stone Guard Fender Skirts, Pair, Includes 25650 Brackets ..... 94.95
- 25650 Bracket for Attaching Stone Guards ..... 4.45



25662

25666

- 25662 Medallion; Front Grille Panel, Gas Door, Side of Hardtop On 55, Front Fender on 56 ..... 19.00
- 25662-F Same as Above (Made off of Ford Tooling USA) .. 25.00
- 25666 Retainer Chrome for 25622 ..... 20.00
- 25666-F Same as Above (Made off of Ford Tooling USA) .. 22.00
- K25666 Kit Crest Medallion with Pad ..... 1.50
- \*27840-A Quarter Panel 55/56 RH ..... Call
- \*27840-B Quarter Panel 57 RH ..... Call
- \*27841-A Quarter Panel 55/56 LH ..... Call
- \*27841-B Quarter Panel 57 LH ..... Call



27974-K

- 27974-K Fender Skirts 55/57 Pair ..... 329.95

**FENDER SKIRT KIT**

You save \$25.00

Includes pair of Fender Skirts, Skirt Seals, RH & LH Stainless Molding, Stone Guards, and Attaching Hardware  
\*Order 27975-B and 27980-K if Needed

- 27976-K Skirt Kit ..... 575.00



27975-B

27980-K

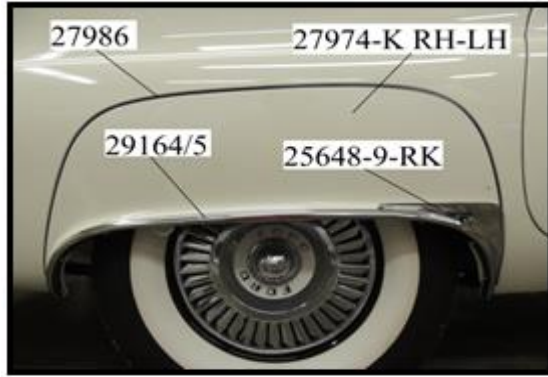
- 27975-B Tabs Weld to Quarter to Hold Skirts ..... 1.60
- 27980-K Clip to Attach Skirts to Quarter Panels ..... 27.25

H  
I  
L  
L  
S  
  
T  
H  
U  
N  
D  
E  
R  
B  
I  
R  
D  
  
C  
E  
N  
T  
E  
R

**FENDER SKIRTS / PORT HOLE KITS**



27986	Seal Fender Skirt 2/car .....	6.25
K900A	Staple Kit, Package of 12.....	3.75
*28611	Fuel Door 57.....	Call
29004-K	Inner Porthole Rings Chrome Plated Pair .....	46.70



<b>29164-A</b>		
29164-A	Fender Skirt Molding RH 55/56.....	73.49
29164-B	Fender Skirt Molding RH 57.....	73.49
29165-A	Fender Skirt Molding LH 55/56 .....	73.49
29165-B	Fender Skirt Molding LH 57 .....	73.49
K29164	Kit to Install Fender Skirt Moldings.....	1.70
29710-C	Glass Porthole Clear with FOMOCO.....	15.65
29710-T	Glass Porthole Tinted with FOMOCO .....	16.75
29904	Seal Porthole Glass.....	4.50
30500	Porthole Spacers, Pair.....	135.00
30534-K	Outside Porthole Rings, Chrome, Pair .....	71.40
K30534	Kit, Porthole Rings to Hardtop.....	2.60



**PORTHOLE INSTALLATION KIT**

**Includes: Rings, Glass, Seal, Spacers, Headliner, Template, and Instructions**

30000-AK	Porthole Kit Off-White 4-Bow Headliner with Clear Glass.....	249.95
30000-BK	Porthole Kit Off-White 4-Bow Headliner with Tinted Glass .....	249.95
30000-CK	Porthole Kit White 4-Bow Headliner with Clear Glass.....	249.95
30000-DK	Porthole Kit White 4-Bow Headliner with Tinted Glass .....	249.95
30000-EK	Porthole Kit Pure White 4-Bow Headliner with Clear Glass.....	249.95
30000-FK	Porthole Kit Pure White 4-Bow Headliner with Tinted Glass .....	249.95

**TRUNK**

*40110-A	Deck Lid 55/56 .....	Call
*40110-B	Deck Lid 57 .....	Call
40406	Clip Rear Garnish Molding Joint.....	9.50
40406-F	Garnish Rail Rear Deck Fiberglass.....	134.95
*40406-M	Garnish Rail Rear Deck Metal .....	Call



<b>40408-9</b>		
40408-9	Garnish Molding Set Rear Stainless, Pair.....	89.95
K40408/9	Kit Rear Garnish Molding to Body.....	5.90



<b>40628</b>			<b>40635-A</b>			<b>40635-B</b>		
40628	Fuel Door 55/56 Reproduction.....	65.00						
*40628-A	Fuel Door 55/56 Original .....	Call						
40635-A	Hinge Gas Fuel Filler Door 55/56 .....	41.95						
40635-B	Hinge Gas Fuel Filler Door 57 .....	41.95						

**HARDTOP BACK GLASS**

42006-CG	Glass Hardtop Backlight Clear.....	299.00
42006-TG	Glass Hardtop Backlight Tinted .....	299.00

<b>B5S4042084A Weather-strip Back Window Glass 55/57</b>		
<b>Made in the USA..... 55.00</b>		
<b>42084-A</b>	<b>Weather-strip Back Window Glass 55/57 .....</b>	<b>33.95</b>

**REAR GLASS MOULDING SET**

**Includes: (1) 42430, (1) 42431, (2) 42450**

42430-K	.....	319.90
42430	Molding Rear Glass RH.....	159.95
42431	Molding Rear Glass LH .....	159.95



**43500 (Top) 42530 (Bottom)**



**42550**

42530	Nameplate Rear Deck Handle 57 .....	14.45
42550	Cross Flags 55 .....	12.35
K42550	Kit Cross Flags Install 55.....	1.70



**42701-A (Top) 42701-B (Bottom)**

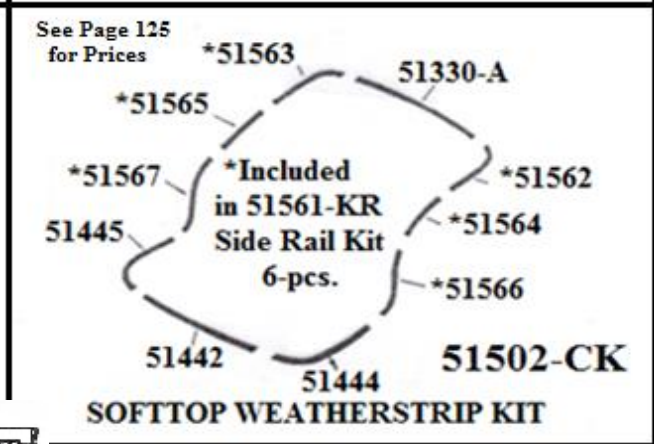
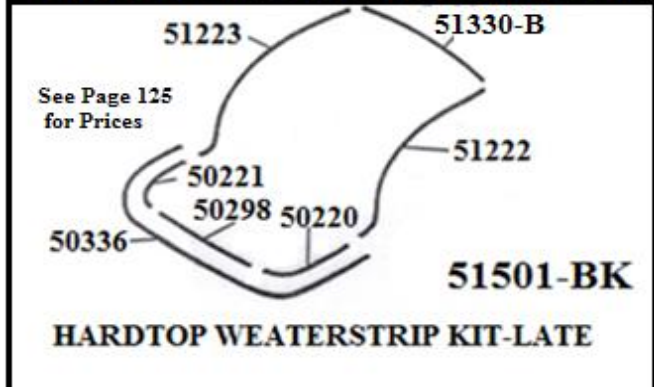
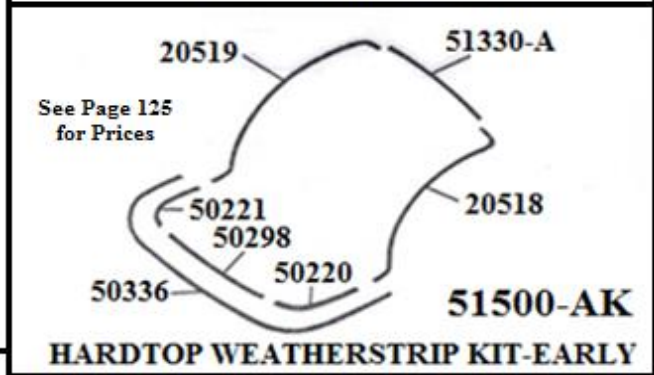
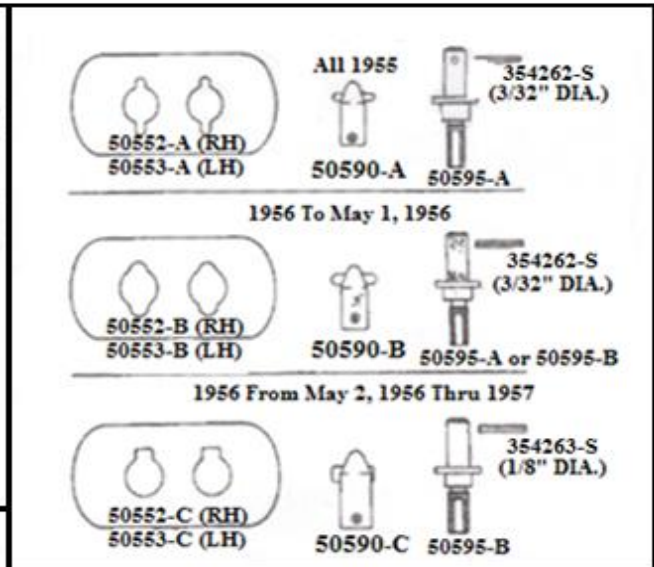
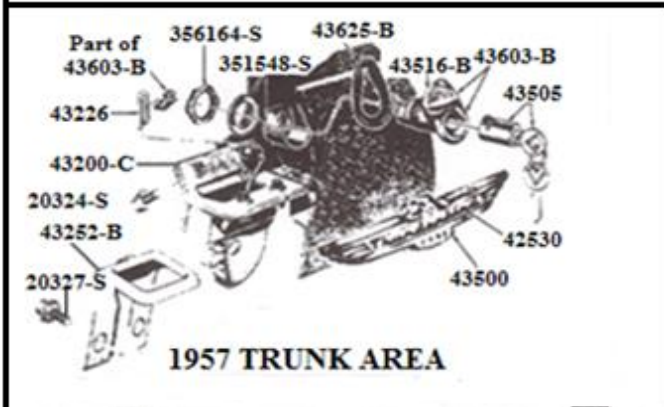
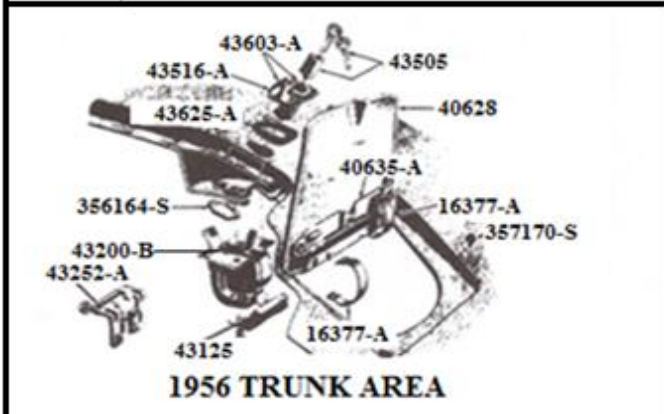
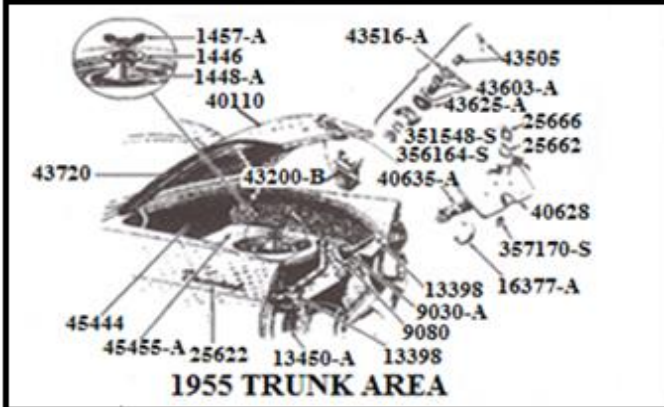
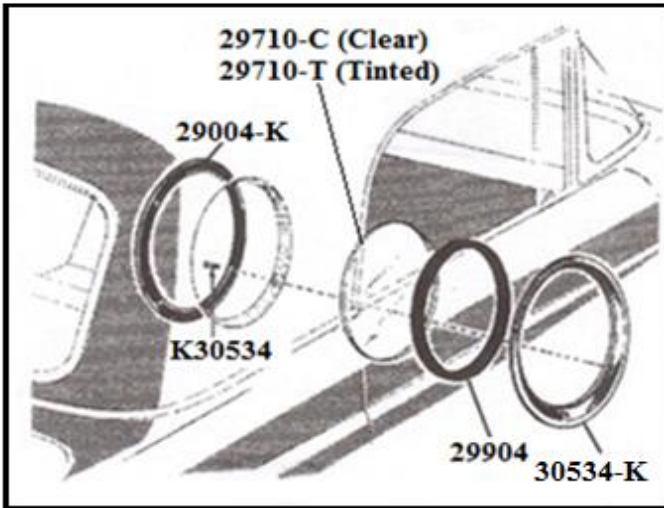


**42704-S**

*42700	Hinge Trunk RH Used Original .....	75.00
*42701	Hinge Trunk LH Used Original.....	75.00
42701-A	Spring Trunk Hinge 55/56.....	14.95
42701-B	Spring Trunk Hinge 57.....	7.85
*42703-S	Bolt Trunk Hinge Long-Used Originals.....	5.00
*42704-S	Bolt Trunk Hinge Short-Used Originals .....	5.00

H  
I  
L  
L  
S  
  
T  
H  
U  
N  
D  
E  
R  
B  
I  
R  
D  
  
C  
E  
N  
T  
E  
R



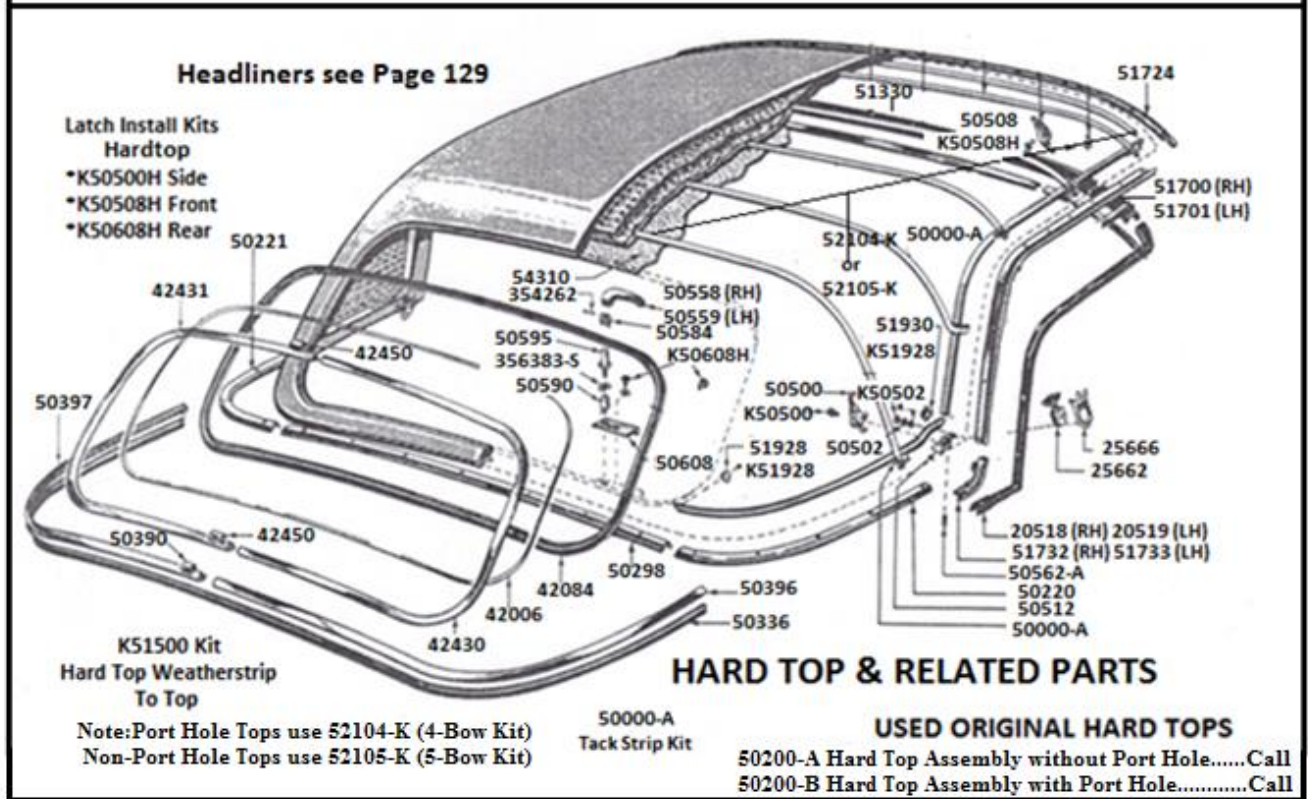
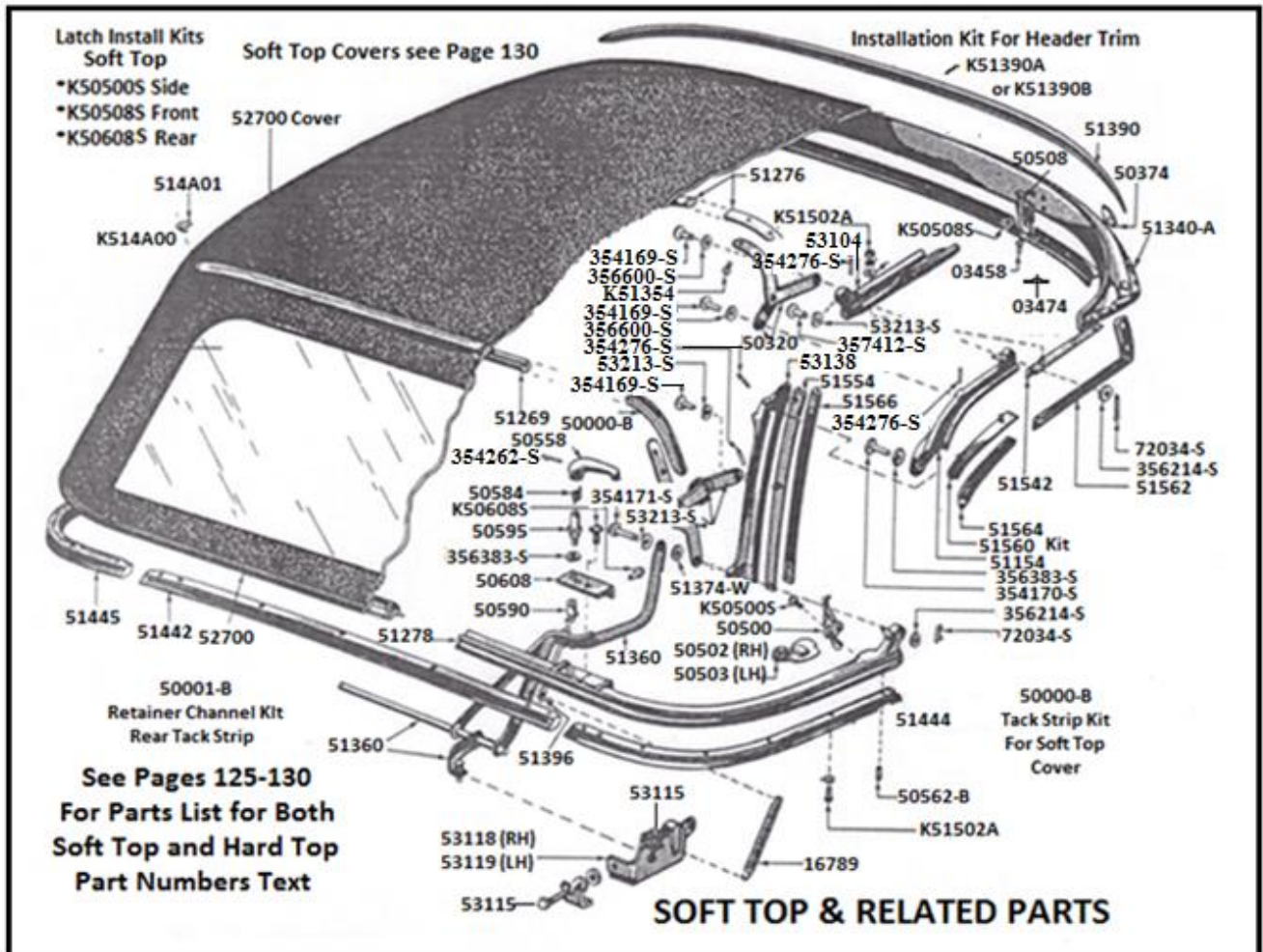


H  
I  
L  
L  
S  
  
T  
H  
U  
N  
D  
E  
R  
B  
I  
R  
D  
  
C  
E  
N  
T  
E  
R

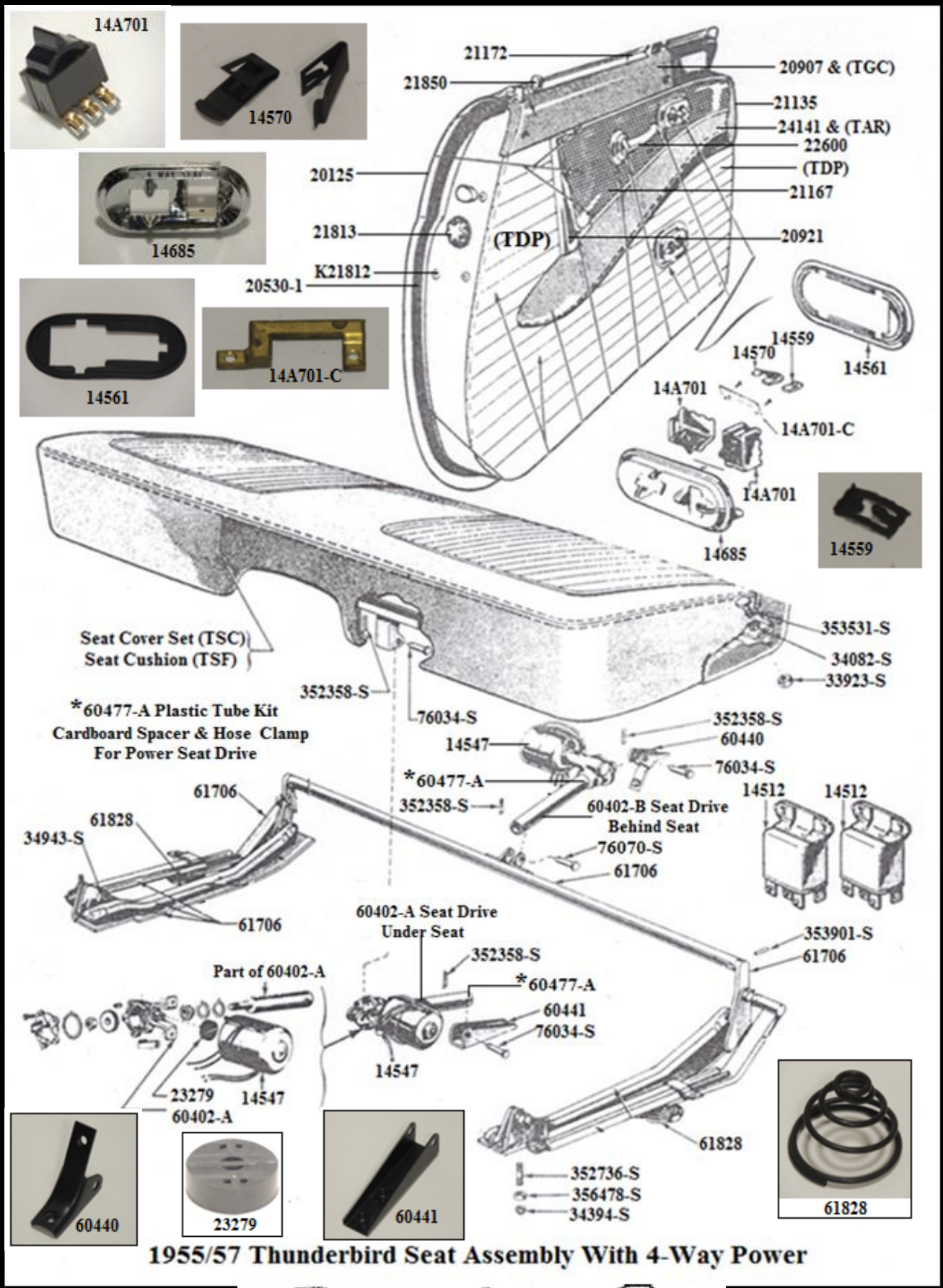


ILLUSTRATION HARDTOP & SOFTTOP ROOF

H  
I  
L  
L  
S  
  
T  
H  
U  
N  
D  
E  
R  
B  
I  
R  
D  
  
C  
E  
N  
T  
E  
R



H  
I  
L  
L  
S  
  
T  
H  
U  
N  
D  
E  
R  
B  
I  
R  
D  
  
C  
E  
N  
T  
E  
R



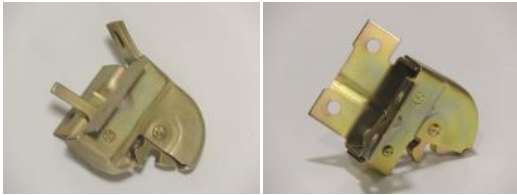
TRUNK



43125

43226

- 43125 Cover Trunk Lock Access 55/56 ..... 10.45
- 43226 Link Trunk Lock Actuating 57 ..... 3.10



43200-B

43200-C

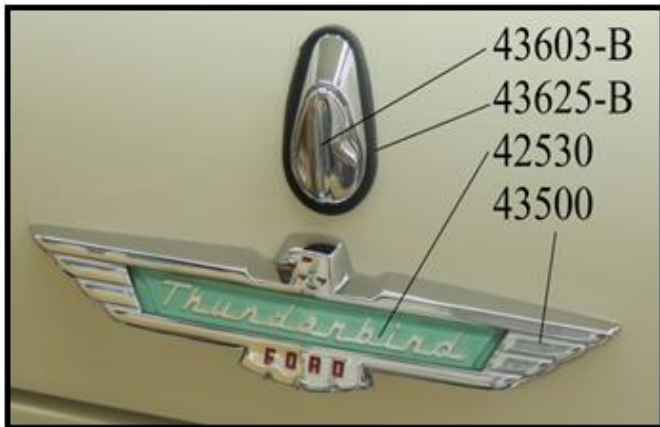
- \*43200-B Trunk Latch Assembly Used 55/56 ..... Call
- \*43200-C Trunk Latch Assembly Used 57 ..... Call
- (55/56 Trunk Latch-Silver Cad) (57 Latch Gold Cad)**
- K43200B Kit Trunk Latch to Trunk 55/56 ..... 1.75
- K43200C Kit Trunk Latch to Trunk 57 ..... 2.00



43252-A

43252-B

- \*43252-A Catch Trunk Latch 55/56 Used ..... Call
- \*43252-B Catch Trunk Latch 57 Used ..... Call
- K43252 Kit Trunk Latch Catch to Body ..... 2.20
- (Catch Trunk Latch 55/57 Silver Cad)**



43500

- 43500 Handle Rear Deck Ornament 57 ..... 25.95
- K43500 Kit Trunk Handle to Insert to Rear Deck 57 ..... 6.50
- K43500A Kit Same as Above without Wedge Washers ..... 4.00

TRUNK HANDLE & INSERT KIT

You save \$1.00

- 43500-AK Includes (1) 42530 and (1) 43500 ..... 37.60

TRUNK

43505

See 11582 for Ignition Cylinder and Keys  
See 22050 for Door Lock Cylinder Set  
See 22053 for Ignition and Door Blank Key

- 43505 Trunk Lock Cylinder and Keys ..... 19.95



43516-A

43516-B

- 43516-A Flip Lid Trunk Lock Cylinder 55/56 ..... 15.70
- 43516-B Flip Lid Trunk Lock Cylinder 57 ..... 15.70
- 22007-A Spring Flip Lid Trunk Lock Housing 55/56 ..... 3.50
- 22007-B Spring Flip Lid Trunk Lock Housing 57 ..... 3.50



43562

43565

- 43562 Key Blank Trunk Original (Also see 22053) ..... 2.00
- 43565 Spacer Trunk Lock Sleeve Plated 57 ..... 7.35



43603-A

43603-B

- 43603-A Sleeve Assembly Deck Lid Lock Cylinder 55/56\* ..... 36.95
- 43603-B Sleeve Assembly Deck Lid Lock Cylinder 57\* ..... 36.95
- \*Includes Flip Lid**



43625-A

43625-B

- 43625-A Pad Trunk Lock Cylinder 55/56 ..... 4.15
- 43625-B Pad Trunk Lock Cylinder 57 ..... 4.15



43720

43720-A

- 43720 Weather strip Deck Lid Original Shape Made with Super Soft Foam Material ..... 25.95
- 43720-A Bumper Rear Deck Lower Corners, Pair ..... 3.85



H  
I  
L  
L  
S  
  
T  
H  
U  
N  
D  
E  
R  
B  
I  
R  
D  
  
C  
E  
N  
T  
E  
R

## TRUNK CARDBOARD AND MATS



### 45415-A & B 55/56 Trunk Cardboard

45415-A	Trunk Side Cardboard 55 1 Piece .....	6.25
45415-B	Trunk Side Cardboard 56 Pair .....	12.50



### 45415-C 57 Trunk Cardboard

45415-C	Trunk Side Cardboard 57 Set .....	12.95
K45415C	Kit to Install Trunk Side Cardboards 57 .....	2.85



### 45444

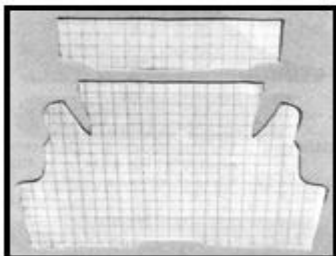
45444	Trunk Back Panel Ready to Paint 1955 Only .....	11.00
45444-A	Trunk Back Panel Painted Grey With Jacking Instructions Sheet, 55 Only .....	19.00
K45444	Kit to Install Trunk Back Panel 55 .....	1.85



### 45455-B

45455-B	Trunk Mat, Rubber, 1956 .....	290.00
---------	-------------------------------	--------

**1955 Rubber Trunk Mats are not available.  
You can use a 56 Trunk Mat, but it will  
Require you to do some trimming.**



### 45456-D

**Install with Weather-strip Adhesive**

45455-A	Trunk Mat Correct Burtex 1956 2-pieces.....	249.00
45455-B	Trunk Mat Correct Burtex 1957 4-pieces.....	249.00
45456-C	Trunk Mat Burtex 1956 Replacement.....	65.00
45456-D	Trunk Mat Burtex 1957 Replacement.....	80.00

## HARDTOP/SOFTOP WEATHERSTRIPS 125

### HARD TOP WEATHERSTRIP KITS 55, EARLY 56 HARD TOP

51330-A	Front Header, 43 1/2" Long .....	88.95
20518	RH, Over Window, Cloth Covered .....	102.95
20519	LH, Over Window, Cloth Covered.....	102.95
50220	RH, Curved on Deck .....	42.95
50221	LH, Curved on Deck .....	42.95
50298	Center on Deck .....	42.95
50336	Rain Seal, Fits in Lower Stainless .....	15.95

**51500-AK Complete Set of Above .....** 394.95

K51500	Hardtop Weather-strip Installation Screws .....	7.65
--------	---	------

### LATE 56, 57 HARD TOP

51330-B	Front Header, 54" Long .....	88.95
51222	RH Over Window.....	99.95
51223	LH Over Window .....	99.95
50220	RH, Curved on Deck .....	42.95
50221	LH, Curved on Deck .....	42.95
50298	Center on Deck .....	42.95
50336	Rain Seal, Fits in Lower Stainless .....	15.95

**51501-BK Complete Set of Above .....** 394.95

K51500	Hardtop Weather-strip Installation Screws .....	7.65
--------	---	------

### USED ORIGINAL SOFT TOPS

50103-A	Soft Top Assembly Used Original Early 55/56 .....	Call
50103-B	Soft Top Assembly Used Original Late 56/57 .....	Call

**Late Soft Tops had an extra support brace above the  
Center of the door glass area for better support of  
The Soft Top which kept it from sagging in the center.  
Early/Late 55's had a 3-Piece Stainless Header Molding**

### SOFT TOP WEATHERSTRIP KIT

51300-A	Front Header, 43 1/2" Long .....	88.95
51442	Center on Deck .....	46.95
51444	RH, on Deck.....	46.95
51445	LH, on Deck .....	46.95
51561-KR	Side Rail Kits 6 Pieces .....	203.65

**51502-CK Complete Set of Above (our Kit Includes  
T-Bolts and Nuts for Side Rail Weather-strip.....** 394.95

K51502	Soft Top weather-strip (51502) to Frame .....	10.00
--------	---	-------

51562	Weather-strip Soft Top RH Front Side .....	34.95
51563	Weather-strip Soft Top LH Front Side.....	34.95
51564	Weather-strip Soft Top RH Center Side.....	34.95
51565	Weather-strip Soft Top LH Center Side .....	34.95
51566	Weather-strip Soft Top RH Rear Side.....	34.95
51567	Weather-strip Soft Top LH Rear Side .....	34.95



<b>03458</b>	<b>03458-NUT</b>	<b>03474</b>
03458	Alignment Dowel – Top Header .....	10.45
03458-NUT	Retainer "Nut" for 03458 – Soft Top.....	1.50
03474	Front Top Dowel Striker.....	24.98
K03474	Windshield Header Dowel Strikers to Header .....	2.10

HILL'S THUNDERBIRD CENTER

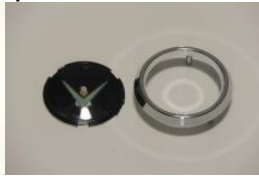
HARDTOP / SOFTTOP



50000-A Tack Strip Set Hard Top ..... 16.75



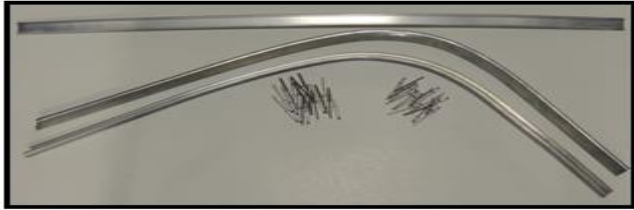
50000-B



50270

50292

50000-B Tack Strip Set Soft Top ..... 17.75



50001-B

RETAINER CHANNEL KIT REAR TACK STRIP SOFT TOP

50001-B ..... 149.50  
 50270 Medallion Non-Porthole Top 57 ..... 24.30  
 50292 Retainer Non-Porthole Top 57 ..... 16.25

SOFT TOP PINS



76005-S

76006-S

76007-S

Stainless Rivets

76005-S Rivet Replacement Kit - Short - 1/2" Long ..... 5.15  
 76006-S Rivet Replacement Kit - Medium - 9/16" Long ..... 5.15  
 76007-S Rivet Replacement Kit - Long - 5/8" Long ..... 5.15



Also See 76005-S

50300-A

50300-A Convertible Top Pins SS Set, 6 Replaces Riveted 29.95



\* 50300-A Pin Kit Pkg. of 6 Only

50300-B

HARDTOP / SOFTTOP



\* 50300-A Pin Kit Pkg. of 6 Only

50300-C

50300-B Soft Top Pin Kit Early Top, Includes: Chrome Pins, Bolts, Nuts Washers, Acorn Nuts & Sleeves, does Not Include 50300-A Kit (82 Pieces) ..... 59.95

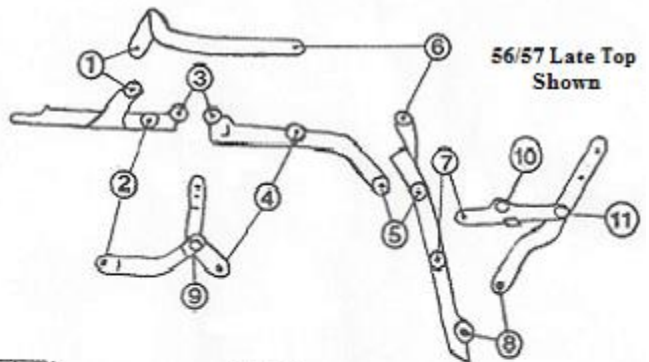
50300-C

50300-C Soft Top Pin Kit Late Top, Same as Above, 94 Pieces. Does not include: 50300-A ..... 74.95

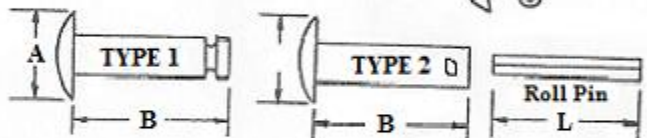
50300A-RC Pin Covers Riveted Pins ..... 19.95  
 50300B-RC Pin Covers Removable Pins Early ..... 42.95  
 50300C-RC Pin Covers Removable Pins Late ..... 52.95

\*\*See Page 135 for Price on Pins / Hardware Section\*\*  
**SOFTTOP PIN LOCATION AND NUMBERS**

\*Pins 1 & 6 were used on Late Tops



56/57 Late Top Shown



Pin #	Type	A	B	L
1	N/A 1955	Not Used		
1	354169S 56/57	.750	3/4"	7/8"
2	354169S 55/57	.750	3/4"	7/8"
3	357412S 55/57	.868	1-1/8"	*CP
4	354169S 55/57	.750	3/4"	7/8"
5	354170S 55/57	.995	1-1/8"	7/8"
6	N/A 1955	Not Used		
6	354169S 56/57	.750	3/4"	7/8"
7	354169S 55/57	.750	3/4"	3/4"
8	354171S 55/57	.841	2-3/8"	*CP
9	**50300A 55/57		1/2"	
10	**50300A 55/57		1/2"	
11	**50300A 55/57		1/2"	

\*Use Cotter Pin 72034S \*\*Pkg. of 6 can also use 76005S

WASHERS & RETAINERS FOR SOFTTOP PINS

51374-W, 53213-S, 356214-S, 72034-S Used at Pin 354171-S  
 356600-S, 354276-S Used at Pin 354169-S  
 354276-S, 356383-S Used at Pin 354170-S  
 356383-S Used at Pins 50300-A Kit or 76005-S

H  
I  
L  
L  
S  
  
T  
H  
U  
N  
D  
E  
R  
B  
I  
R  
D  
  
C  
E  
N  
T  
E  
R

**HARDTOP / SOFTTOP**



- 50336 Seal Hard Top Slides into Lower Stainless..... 14.95
- 50374 Retainer F/T Header Trim End RH..... 5.00
- 50375 Retainer F/T Header Trim End LH..... 5.00



- 50390 Clip Hard Top Lower Rear Molding..... 7.40
- 50396 Hard Top Lower Rear Molding RH..... 117.00
- 50397 Hard Top Lower Rear Molding LH..... 117.00



- 50500-A Top Clamp Side Hard and Soft Top Finger Handle 55/56..... 69.95
- 50500-B Top Clamp Side Hard and Soft Top T-Handle 55/56..... 69.95
- K50500H Hard Top Front Clamps to Top..... 3.00
- K50500S Soft Top Front Clamps to Top..... 4.25



- 50502 Side Top Latch Plate RH..... 64.95
- 50503 Side Top Latch Plate LH..... 64.95
- K50502 Kit Side Top Latch Plates to Body..... 2.75



- 50508-A Top Clamp Front Soft Top Finger Handle 55/56..... 69.95
- 50508-B Top Clamp Front Hard Top Finger Handle 55/56..... 69.95
- K50508H Hard Top Front Clamps to Top..... 3.00
- K50508S Soft Top Front Clamps to Top..... 4.25



- 50508-C Top Clamp Front Soft Top T-Handle 56/57..... 69.95
- 50508-D Top Clamp Front Hard Top T-Handle 56/57..... 69.95
- K50508H Hard Top Front Clamps to Top..... 3.00
- K50508S Soft Top Front Clamps to Top..... 4.25

**HARDTOP / SOFTTOP**



- 50500-J J-Hook Side Clamps 55/57 Included with Handle .... 14.85
- 50508-J J-Hook Front Clamps 55/57 Included with Handle ... 14.85
- \*50512 Bracket Hard Top Side Latch Mounting ..... Call



- 50530 Plate Front Hold Down Latch..... 13.45
- K50530 Kit Front Latch Hook Plates to W/shield Header..... 1.50



- 50552-A Top Hold down Plate on Deck 55 RH..... 42.95
- 50552-B Top Hold down Plate 56 to 5/1/56 RH..... 42.95
- 50552-C Top Hold down Plate 56/57 from 5/1/56 RH..... 42.95
- 50553-A Top Hold down Plate on Deck 55 LH..... 42.95
- 50553-B Top Hold down Plate 56 to 5/1/56 LH..... 42.95
- 50553-C Top Hold down Plate 56/57 from 5/1/56 LH..... 42.95
- K50552 Kit to Install 50552/50553..... 2.90



- 50554 Gasket Top Rear Hold down Plate Latch Plate to Body..... 0.70



- 50558-A Lever Rear Clamp Bent Type for 55/56 Before 5/1/56 RH..... 35.00
- 50559-A Lever Rear Clamp Bent 55/56 LH..... 35.00



- 50558-B Lever Rear Clamp Straight Type 56/57 from 5/1/56 RH..... 35.00
- 50559-B Lever Rear Clamp Straight 56/57 LH..... 35.00

H  
I  
L  
L  
S  
  
T  
H  
U  
N  
D  
E  
R  
B  
I  
R  
D  
  
C  
E  
N  
T  
E  
R

**HARDTOP / SOFTTOP**



- 50562-A Dowel Alignment Side H-Down Clamp for Hard Top 11.35
- 50562-B Dowel Alignment Side H-Down Clamp for Soft Top.. 11.35



- 50584-A Spring Return Rear Clamp Handle RH Bent Handle 3.45
- 50584-B Spring Return Rear Clamp Handle RH Straight Handle 3.45
- 50585-A Spring Return Rear Clamp Handle LH Bent Handle. 3.45
- 50585-B Spring Return Rear Clamp Handle LH Straight Handle 3.45



- 50590-A Fastener Rear Hold Down Clamp 55..... 13.95
- 50590-B Fastener Rear Hold Down Clamp 56 before 5/1/56.. 13.95
- 50590-C Fastener Rear Hold Down Clamp 56/57 from 5/1/56 13.95



- 50595-A Stud Rear Hold Down Clamp 55/56 before 5/1/56.... 11.50
- 50595-B Stud Rear Hold Down Clamp 56/57 from 5/1/56..... 11.50
- 354262-S Pin Top Handle Bent Handle..... 0.30
- 354263-S Pin Top Handle Straight Handle..... 0.30
- 356383-S Spring Washer Convertible Top Used at 50595A & B 1.30



- 50608 Plate Rear Hold down Clamp RH..... 23.85
- 50609 Plate Rear Hold down Clamp LH ..... 23.85
- K50608H Hard Top Rear Clamp Plates to Top ..... 4.00
- K50608S Soft Top Rear Clamp Plates to Top ..... 4.50

**HARDTOP / SOFTTOP REAR LEVER KIT**

- Includes: 50558, 50559, 50608, 50609, 50584, 50585, 2-50590, 2-50595, 2-356383S, 2-354262S or 354263S, K50608H or K50608S**
- 50608-AK 55, Rear Lever Kit with Bent Handle  
50590A, 50595A & 354262S..... 179.95
  - 50608-BK 56, Rear Lever Kit with Bent Handle  
50590B, 50595A & 354262S..... 179.95
  - 50608-CK 56, Rear Lever Kit with Straight Handle  
50590B, 50595B & 354263S..... 179.95
  - 50608-DK 57, Rear Lever Kit with Straight Handle  
50590C, 50595B & 354263S ..... 179.95

**HARDTOP / SOFTTOP**

**HARDTOP EDGE TRIM KIT**

- You save \$75.40  
**Complete Set of Stainless Around Edges of Hard Top.**  
**Includes: (1) 50390, (1) 50396, (1) 50397, (1) 51700, (1) 51701, (1) 51724, (1) 51732, (1) 51733**
- 51000-K Hard Top Molding Set ..... 579.95
  - K51500 Kit Hard Top Edge Molding to Top ..... 4.00

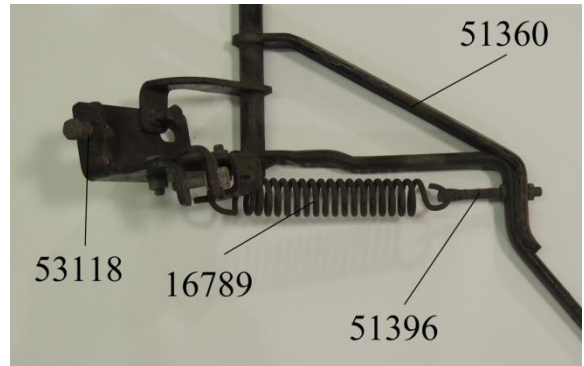


- 51276-A Plates Soft Top Tension Straps Pair ..... 4.95



**SOFT TOP REPAIR KIT**

- Front Tack Strip Retainer Replacement**  
**Galvanized Fingers Pre-Formed with Rivets**
- 51340-A Kit Soft Top Tack Strip Retainer ..... 34.95



- \*51360 Swing Bar Used Original ..... Call
- 51360-A Swing Bar Only Soft Top Reproduction ..... 379.00
- 51360-R Swing Bar, as Original, Complete with Feet, Springs, Bolts, and Hardware to Mount to Body..... 489.00
- 16789-A Spring Soft Top Swing Bar Long Early..... 9.90
- 16789-B Spring Soft Top Swing Bar Short Late 4-7/8" Long .. 9.90



- 51360-BK Special Bolts to Attach a Swing Bar to the Reproduction Soft Tops..... 21.95

H  
I  
L  
L  
S  
  
T  
H  
U  
N  
D  
E  
R  
B  
I  
R  
D  
  
C  
E  
N  
T  
E  
R



## HARDTOP / SOFTTOP



**51374-S**

**51396**

51374-S	Sleeve Convertible Top at Lift Bar Assembly Plated, Each Use with 354171-S Pin .....	5.25
51374-W	Spring Washer for 51374-S Sleeve .....	1.25
51390	Molding Soft Top Header, Stainless .....	219.95
K51390A	Soft Top Front Header Trim to Frame, Includes 50374 and 50375 End Retainers .....	19.95
K51390B	Same as Above, but without 50374/50375 Retainers .....	9.95
51396	Bolt Special Soft Top Lift Bar Spring with Nuts, Cadmium Zinc Plated .....	2.50



**514A00**

**514A01**

514A00	End Tips Soft Top Wire on RH .....	7.45
514A01	End Tips Soft Top Wire on LH .....	7.45
51700	Trim Molding Over Door RH .....	94.55
51701	Trim Molding Over Door LH .....	94.55
51724	Trim Molding Hard top Header .....	115.00



**51732**

**51733**

51732	Trim Molding Hard top Lower Corner RH .....	42.00
51733	Trim Molding Hard top Lower Corner LH .....	42.00



**51928**

**51930**

51928	End Tip Roof Headliner Binding Chrome 2/Car .....	6.10
51930	Clip Angle Trim for Headliner 4/Car .....	8.20
52104-K	Headliner Bow Set 4-Bow .....	43.00
52105-K	Headliner Bow Set 5-Bow .....	49.00



**52182**

**53115**

52182	Hard Top Front Bow Clip Replacement .....	3.00
*52182-R	Retainer Roof Headliner Bow Metal .....	Call
53038-B	Foam Soft Top Header with 1 Piece SS Header Trim .....	7.25
53115	Bolt Special Swing bar Feet Adjusting 2/foot Assembly Including 53118-9 .....	3.65

## HARDTOP / SOFTTOP / HEADLINERS



**53118-A**

**53119-A**

53118-A	Foot Assembly Swing bar Early Type RH .....	57.25
53119-A	Foot Assembly Swing bar Early Type LH .....	57.25



**53118-B**

**53119-B**

53118-B	Foot Assembly Swing bar Late Type RH .....	57.25
53119-B	Foot Assembly Swing bar Late Type LH .....	57.25
K53118A	Soft Top Swing Bar Feet to Floor Pan .....	2.00
K53118B	Soft Top Feet Halves to Each Other .....	3.50
K53118C	Soft Top Swing Arm Feet 55/57 Includes Special Adjusting Bolts .....	19.75

## HARDTOP INSULATION



**54310**

54310	Insulation F-Glass Hard Top; Headliner/Top .....	8.95
-------	--	------

## HEADLINERS



**\*\*Original Type. Constructed of Perforated Vinyl, with "Wire-On" Border Strip. Please Be Sure to Specify Whether You Have (4) or (5) Metal Bows in Your Top.**

THL4OW	4-Bow Off White 57 .....	49.95
THL4WT	4-Bow White 55/56 .....	49.95
THL4PW	4-Bow Pure White .....	49.95
THL5OW	5-Bow Off White 57 .....	49.95
THL5WT	5-Bow White 55/56 .....	49.95
THL5PW	5-Bow Pure White .....	49.95

## USED ORIGINAL HARD TOPS

50200-A	Hard Top Assembly without Porthole .....	Call
50200-B	Hard Top Assembly with Porthole .....	Call

## TECH INFO

**All Porthole Tops use 4-Bows #52104-K  
All Non-Porthole Tops Use 5-Bow #52105-K  
Have a Non-Porthole Top, but you'd like to Add Portholes?  
See the Porthole Kits-Page  
All 55/56 T-Birds came with White Headliners  
All 57 T-Birds came with Off-White Headliners**

**H  
I  
L  
L  
S  
  
T  
H  
U  
N  
D  
E  
R  
B  
I  
R  
D  
  
C  
E  
N  
T  
E  
R**

**REPRODUCTION SOFT TOPS**



All Reproduction Tops come without the Swing bar.  
Must Add Price of Swing bar if needed.

- Contour, Original Clamps and Handles
- Bow Straps, Zip-Down Rear Windows
- All Metal Frame (with a black baked polyester coating for durability)
- Please Specify Year  
(See Page 121 or 128 for Rear Deck Fastener Type Needed)

50103-BC	Black Canvas Cover .....	2595.00
50103-BCS	Black Canvas Cover with Swingbar.....	3075.00
50103-BUC	Blue Canvas Cover.....	2595.00
50103-BUCS	Blue Canvas Cover with Swingbar.....	3075.00
50103-TC	Tan Canvas Cover.....	2595.00
50103-TCS	Tan Canvas Cover with Swingbar.....	3075.00
50103-BV	Black Vinyl Cover.....	2295.00
50103-BVS	Black Vinyl Cover Swingbar.....	2775.00
50103-WV	White Vinyl Cover.....	2295.00
50103-WVS	White Vinyl Cover Swingbar.....	2775.00

**SWINGBAR WITH FEET**

51360-A	Swing Bar Only Soft Top Reproduction.....	379.00
51360-R	Swing Bar, as Original, Complete with Feet Springs, Bolts, and Hardware to Mount to Body.....	489.00
51360-BK	Special Bolts to Attach the Swing Bar to the Reproduction Soft Tops .....	21.95

**SOFT TOP COVERS**



Complete Sets with Covering, Rear Window  
Wire-ons, and Tension Pad Straps

52700-A	Soft Top Cover, Black Stay fast 55 With Sewn-in Curtain .....	566.00
52700-B	Soft Top Cover, Black Stay fast 56/57 With Straight Brass Zipper.....	566.00
52700-C	Soft Top Cover, Dark Blue Outer/Tan under Stay fast With Straight Brass Zipper .....	566.00
52700-D	Soft Top Cover, Tan Outer/Tan under Stay fast With Straight Brass Zipper .....	566.00
52700-E	Soft Top Cover, Vinyl White Outer/Tan Under With Sewn-in Curtain .....	329.00
52700-F	Soft Top Cover, Vinyl White Outer/Tan Under With Straight Brass Zipper .....	338.00
52700-G	Soft Top Cover, Vinyl White Outer/Black Under With Sewn-in Curtain .....	329.00
52700-H	Soft Top Cover, Vinyl Off-White Outer/Black Under With Sewn-in Curtain .....	329.00
52700-K	Soft Top Cover, Vinyl Off-White Outer/Black Under With Straight Brass Zipper .....	338.00
52700-M	Soft Top Cover, Vinyl Black Outer/Black Under With Straight Brass Zipper .....	338.00

**SEAT PARTS**



61704

*61704	Seat Tracks Manual .....	Call
*61706	Seat Tracks Power.....	Call



60402-A

60402-B

*60402-A	P/S Drive Under Seat .....	Call
*60402-B	P/S Drive Behind Seat.....	Call



60440

60441

60440	Support Vertical P/S Regulator.....	17.15
60441	Support Horizontal P/S Regulator.....	11.95
76034-S	Pin Power Seat at 60440, 60441 & Bottom Seat Frame .....	0.90
76070-S	Pin Power Seat Drive to Seat Frame .....	0.90



60477-A

60477-A	Tube Kit P/S Worm Gear, Contains Plastic Tube, Cardboard Spacer, and Clamp .....	12.90
61212	Seat Belt Brackets Original Style, Each.....	29.95



61212



61642



61755

61642	Plate Seat Stop with Screws, Pair .....	7.35
61755	Handle Manual Seat Adjusting .....	14.95



61828



62190

61828	Spring Power Seat Assist .....	5.95
62190	Cable & Housing Manual Seat Tracks .....	19.95



H  
I  
L  
L  
S  
  
T  
H  
U  
N  
D  
E  
R  
B  
I  
R  
D  
  
C  
E  
N  
T  
E  
R

# SEAT PARTS / HARDWARE SECTION

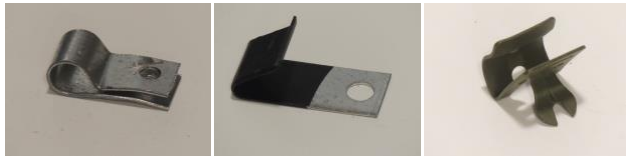


- |        |  |                      |      |
|--------|--|----------------------|------|
|        | <b>62198</b>   | <b>61212 Mounted</b> |      |
| 62198  | Shield Manual Seat Adjuster U-Shape Polished Stainless.....              |                      | 8.59 |
| *62200 | Guide under Seat for Seat Adjusted Cable .....                           |                      | Call |
|        | <b>**Seat Tracks had a Cadmium finish**</b>                              |                      |      |
|        | <b>**Power Seat Bar was painted gray color with a slight brown tint*</b> |                      |      |



## SEAT TRACK PICTURES

### HARDWARE SECTION



- |        |   |              |              |      |
|--------|---|--------------|--------------|------|
|        | <b>2005-E</b>   | <b>14450</b> | <b>14577</b> |      |
| 2005-E | Clip - To Hold 2005-B to 9180 Bracket.....                  |              |              | 1.85 |
| 14450  | Clip Tachometer Cable Rubber Coated 56/57.....              |              |              | 1.35 |
| 14577  | Clip Fuel Line to Frame like Original-Green 4 per Car ..... |              |              | 4.50 |



- |            |  |                 |                 |      |
|------------|--|-----------------|-----------------|------|
|            | <b>352973-S</b>  | <b>352999-S</b> | <b>353547-S</b> |      |
| 352973-S   | Clip - Fuel Line - Bolts to Frame - 1/Car .....  |                 |                 | 1.55 |
| 352976-S32 | Clip - Wiring - Aprons and Firewall No Opening on Clip Like 352999-S Late 1957 .....           |                 |                 | Call |
| 352999-S   | Clip - Wiring - Aprons and Firewall - Green - Exact Reproduction - Each (10 used per car)..... |                 |                 | 2.90 |
| 353547-S   | Clip - Temp Wire to Head - Plain.....  |                 |                 | 1.05 |

# HARDWARE SECTION



- |          |  |                            |                   |      |
|----------|--|----------------------------|-------------------|------|
|          | <b>354227-S</b>                                      | <b>354284-S</b>            | <b>354307-S32</b> |      |
| 354227-S | Clip Tachometer Cable to Bracket Rubber Coated ..... |                            |                   | 2.35 |
| 354284-S | Clip - Main Wiring at LH Scoop - 55 .....            |                            |                   | 1.55 |
|          | *354307-S32  | Clip 56 License Wire ..... |                   | Call |



- |           |  |                 |                 |      |
|-----------|--|-----------------|-----------------|------|
|           | <b>354372-S</b>  | <b>354333-S</b> | <b>354543-S</b> |      |
| 354372-S  | Clip - Wiring - LH Rear Bumper Support - 56 .....  |                 |                 | 1.55 |
| *354333-S | Clip Wiring .....  |                 |                 |      |
|           | *Usually (3-4) 354333-S Clips are found under the dash To hold up wiring and (2) found in the Trunk Area ... |                 |                 | 7.50 |
| 354543-S  | Clip - O/D Wiring at Firewall.....   |                 |                 | 3.10 |



- |          |  |                 |                 |      |
|----------|--|-----------------|-----------------|------|
|          | <b>356628-S</b>  | <b>356640-S</b> | <b>356687-S</b> |      |
| 356628-S | Clip - Wiring - Rubber Coated 13/32 Hole .....               |                 |                 | 1.95 |
| 356640-S | Clip - Wiring - At Starter Solenoid - Not Rubber Coated..... |                 |                 | 1.30 |
| 356687-S | Clip Headlamp Wiring.....                                    |                 |                 | 1.85 |

**SEE PART NUMBER (10758) FOR GROMMET & BRACKET**



- |          |  |                 |                 |      |
|----------|--|-----------------|-----------------|------|
|          | <b>357331-S</b>  | <b>358349-S</b> | <b>358350-S</b> |      |
| 357331-S | Clip - Brake Line to Frame - Original - Green 4/Car 55/56 - 3/Car 57 ..... |                 |                 | 2.70 |
| 358349-S | Clip - Brake Line to Differential - 55/56 - 1 per Car .....                |                 |                 | 2.90 |
| 358350-S | Clip - Wiring - At Fan Shroud - Rubber Coated.....                         |                 |                 | 1.95 |



- |          |   |                 |                 |      |
|----------|---|-----------------|-----------------|------|
|          | <b>357036-S</b>   | <b>358355-S</b> | <b>359280-S</b> |      |
| 357036-S | Fastener - Firewall Pad to Firewall - Like Original Correct Green Color ..... |                 |                 | 3.20 |
| 358355-S | Clip - Rubber Coated - Window and Seat Motors On Firewall at Hood Latch ..... |                 |                 | 1.95 |
| 359280-S | Clip - Transmission Cooling Lines to Block .....                              |                 |                 | 7.80 |
| 390018-S | Fastener Firewall Pad to Firewall-Plastic .....                               |                 |                 | 2.00 |



- |          |  |                 |                 |      |
|----------|--|-----------------|-----------------|------|
|          | <b>74274-S</b>   | <b>352358-S</b> | <b>357550-S</b> |      |
| 72034S   | Cotton Pin - 3/32 Diameter x 1" Long.....                |                 |                 | 0.10 |
| 72035S   | Cotton Pin - 1/8 X 1" Long .....                         |                 |                 | 0.10 |
| 72054S   | Cotton Pin - 5/32 Diameter x 1- 1/4" Long.....           |                 |                 | 0.10 |
| 74274-S  | Clip - Window Regulator Arm.....                         |                 |                 | 0.40 |
| 352358-S | Clip - Clevis Pin Retaining .....                        |                 |                 | 0.85 |
| 353610-S | Clip - Distributor Vacuum Control Rod .....              |                 |                 | 0.30 |
| 357271-S | Clip - License Wire to Deck Lid - 55 .....               |                 |                 | N/A  |
| 357550-S | Lock Ring - Inside Door Handle and Window Crank .....    |                 |                 | 0.40 |
| 372001-S | E-Clip Folding Top Pins-Use on 76005, 76006, 76007 ..... |                 |                 | .25  |

H  
I  
L  
L  
S  
  
T  
H  
U  
N  
D  
E  
R  
B  
I  
R  
D  
  
C  
E  
N  
T  
E  
R

**HARDWARE SECTION**

**HARDWARE SECTION**

H  
I  
L  
L  
S  
  
T  
H  
U  
N  
D  
E  
R  
B  
I  
R  
D  
  
C  
E  
N  
T  
E  
R



<b>61489-S</b>	Pin – Distributor Drive Gear .....	0.35
<b>76034-S</b>	Cotter Pin – 3/32 Diameter x 1" Long .....	0.85
<b>76035-S</b>	Cotter Pin – 1/8 x 1 .....	0.65
<b>76036-S</b>	Cotter Pin – 5/32 x 1 1/4 .....	0.70
<b>371905-S</b>	Clip-Door Panel-20 per Car Also see Kits-KTDP A & KTDPB Page 137 .....	.50
<b>352146-S</b>	Pin – 1/8 x 7/8 – P/S Control Valve – 55/56 .....	0.40
<b>353621-S</b>	Solid Pin – P/S Control Valve .....	1.55
<b>353766-S</b>	Retainer Clip P/S Reservoir Lid .....	1.00
<b>354132-S</b>	Pin – Tachometer Drive Gear to Shaft .....	0.90
<b>354262-S</b>	Roll Pin – 3/32 x 3/4 – Bent Handle – Top .....	0.30
<b>354263-S</b>	Pin – 1/8 x 3/4 – Straight Handle – Top and Pin Retainer Folding Top .....	0.30
<b>354276-S</b>	Roll Pin – Folding Top use at 354169S-354170S .....	0.40
<b>370235-S</b>	Solid Pin – P/S Control Valve – 57 .....	1.55



<b>73600-S</b>	Pin – F/M Shifter Arm to Neutral Switch .....	0.80
<b>76001-S</b>	Retainer Pin Door Check Strap Removable .....	5.85
<b>76001-S8R</b>	Pin for Door Check Strap Rivet Type .....	4.00



<b>76034-S</b>	Dowel Alignment Standard Trans Bell Housing .....	7.50
<b>*73249-S</b>	Pin – Spare Wheel Bolt to Trunk – 57 .....	0.90
<b>73860-S</b>	Pin – F/M Kick down Rod to Bell crank .....	0.90
<b>73887-S</b>	Clevis Pin – Park Brake Pulley .....	0.90
<b>73931-S</b>	Pin – Spare Wheel Plate to Trunk – 57 .....	1.10
<b>73939-S</b>	Pin – Power Seat at 60440, 60441 & Bottom Seat Frame .....	0.90
<b>76034-S</b>	Pin – Power Seat Drive to Seat Frame .....	0.90



<b>87212-S</b>	Union – Brake Line on Side of Frame .....	1.35
<b>87213-S</b>	Union – Fuel Line on Side of Frame .....	3.80
<b>87479-S</b>	Fitting 3-Way Tee Dual-4 Setup .....	5.70
<b>87942-S</b>	Nut – 3/16 Tube – Brake Lines .....	0.75
<b>87943-S</b>	Nut – 1/4 Tube Vacuum Lines .....	0.75
<b>87944-S</b>	Nut – 5/16 Tube – Fuel Lines .....	0.80



<b>87945-S</b>	Adapter Power Brake Block .....	3.95
<b>87972-S</b>	Brass Tube Connector – Fuel Pump Tube to Fuel Pump and Fuel Filter .....	2.75
<b>353400-S</b>	Elbow Fitting – Brass – 2078-B Flex Hose to Brake Booster .....	1.75



<b>353401-S</b>	Elbow Fitting – Brass – Carburetor to Steel Vacuum Line (2005-CE) – Dual 4 – 57 .....	6.20
<b>353706-S</b>	Adapter – P/B Booster to Brake Line .....	11.56
<b>354446-S</b>	Connector – Brake – Front Lines and Stop Light Switch Mounts on Frame .....	64.95



<b>*354447-A</b>	Adapter Brass Block with Manual Brakes 55 .....	Call
<b>*354447-B</b>	Adapter Brass Block with Manual Brakes 56 .....	Call
<b>354447-C</b>	Adapter Brass Block with Power Brakes 55 .....	32.00
<b>354447-D</b>	Adapter Brass Block with Power Brakes 56 .....	32.00



<b>354447-E</b>	Adapter Brass Block with Power Brakes 57 .....	32.00
<b>354447-P</b>	Plug for 354447 56 Blocks without Power Brakes .....	2.20
<b>354447-PA</b>	Plug for 354447 55/57 Blocks without Power Brakes .....	2.25
<b>357466-S</b>	Elbow Fitting – Brass – Fuel Line to Fuel Pump .....	2.30
<b>358165-S</b>	Connector – 57 Carburetor – Nut for Vacuum Adv. Line .....	1.86



<b>359279-S</b>	Fitting – Transmission Cooling Lines to Radiator .....	3.00
<b>359279-SA</b>	Fitting Trans. Cooling Lines to Aluminum Radiator ..	3.90
<b>359324-S</b>	Fitting – Transmission Cooling Lines to Transmission .....	3.00
<b>122320</b>	Fitting for 2005-L Brake Booster .....	3.30
<b>124320</b>	Fitting for 2005-L Brake Booster .....	1.80



<b>77619</b>	Button Assembly F/M Shifter Stainless with Set Screw .....	20.90
<b>77619-A</b>	Spring inside F/M Shifter Button .....	1.50
<b>77635</b>	Spring F/M Shift Lever Button .....	1.50



<b>310141-S</b>	Oil Cup and Cover – Distributor – Replacement .....	6.20
<b>351791-S</b>	Connector – Power Steering Pressure Line .....	20.00
<b>351792-S</b>	Bolt – Power Steering Pressure Line .....	20.00

**HARDWARE SECTION**



- 354126-S Bolt – Special – To Attach 3c511 P/S Bracket..... 16.85
- 372895-S Fitting – Power Steering Lines to Cylinder – 57..... 6.75
- 372896-S Fitting – Power Steering Hose 55/56..... 6.75



- 354193-S Washer P/S Pump Mounting, 3 Required..... 3.25
- 354668-A Bolt P/S Pump Reservoir Lid 2 1/2" L..... 6.95
- 375474-S8 Bolt P/S Pump Reservoir Lid 3 1/2" L..... 6.95



- 87710-S Plug – Q/D to Access Snap Ring at Rear Bearing Tail shaft Housing..... 2.85
- 87710-S Plug – Block and 57 Differential – 3/8" Pipe..... 1.35
- 87743-S Plugs – Radiator Cooler – Pair – 1/8" Pipe..... 2.00
- 87837-S Plug – Cylinder Block – 1/4" Pipe..... 1.00
- 353055-S Plug – Gas Tank..... 2.65
- 358048-S Plug – Differential – 55/56..... 3.45
- 358066-S Plug – Hex Head – Water Pump – Without P/S or Intake Manifold without Heater..... 1.30



- 31037-S Screw – Headlamp Bulb Retaining Ring..... 0.30
- 31061-S Screw – License Lamp Lens Retain – 55/56..... 0.40
- 31497-AS Screw Hex Head Battery Cable Grommets – 56/57..... 0.30
- 31497-S Screw Hex Head with Slot for 56/57 Tachometer Cable Clip..... 0.75
- 31498-S Screw Hex Head Splash Panel to Apron..... 0.30
- 31519-S Screw Hex Head Brake Line Clip to Axle 55/56..... 0.75
- 32938-S Screw – Headlamp Bucket to Fender..... 0.30
- 33000-S Screw – Wire-on Binding Joint & Ends 6x3/4..... 0.30
- 40921-S Screw – Hex Washer Head for Shifter Housing to Floor..... 0.50
- 42128-S Screw – Air Vent Cable Clip..... 0.30
- 42143-S Screw – Gas Pedal Retaining..... 0.30
- \*42703-S Bolt Trunk Hinge to Body-Long-Used Originals..... 5.00
- \*42704-S Bolt Trunk Hinge to Body-Short-Used Originals..... 5.00



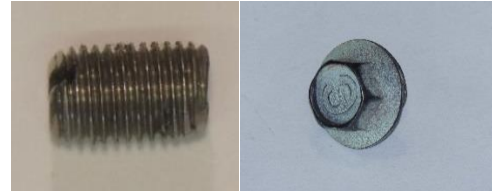
- 50540-S Screw – Exhaust Deflector – 57..... 1.50
- 50629-S Screw Column Sleeve Guide..... 4.00
- 51340-S Screw Mount Soft Top Pieces Together..... 1.00
- 51764-S8 License Plate Lamp Lens Retainer – 57..... 0.50

**HARDWARE SECTION**

- 52352-S Screw – Step Plate and Instrument Panel Extension End 30 Finish Plate – 8x5/8..... 0.30
- 52353-S Screw – Texas Plate – 10x5/8..... 0.30
- 52355-S Screw – Convertible Top Rear Bow – 1/4x5/8 with External Tooth Lock washer..... 0.50
- 52360-S Screw – Molding to Grille – Windshield Garnish Molding Upper – Porthole Garnish Molding 8x3/4..... 0.70
- 52368-S Screw – Door Trim Panel – Windshield Garnish Lower Molding – 8x7/8..... 0.30
- 52369-S Screw – Visor Arm – 10x7/8..... 0.30
- 52382-S Screw – Inside Mirror to Windshield Header 8x1 1/4..... 0.50
- 52388-S Screw – Door Window Garnish Molding – Windshield Side Molding – 1x1 1/2..... 0.50
- 52718-S Screw – Automatic Transmission Indicator Retainer Not Chrome..... 0.40



- 350069-S Screw – Turn Signal Switch to Plate..... 0.30
- 350754-S Screw – weather-strip – H/T – Roof to Upper Back Panel..... 0.50
- 355067-S Screw and Washer – Distributor Condenser to Breaker Plate - 55/56..... 0.40
- 358477-S Screw Door Glass Molding to Bottom Channel..... 0.50



- 89447-S Set Screw – F/M Shifter Button Stainless..... 2.50
- 89735-S Set Screw – Use with 16877 Hood Clamp..... 0.80



- 360001-S Male Connector – Special Ford – Crimp On..... 0.40
- 360002-S Connector and Sleeve – 2 Way Plug In..... 0.80
- 360004-S Connector and Sleeve – 4 Way Plug In..... 1.85



- 353624-S Screw – Tail Lamp Lens – 55..... 0.90
- 354690-S Screw – Backup lens to Lamp Body – 55..... 1.20
- 354690-SK Screw Kit Backup Light Lens 55 Package of 6..... 6.50
- 354746-S Parking Lamp to Fender – Black – 55/56..... 0.50

H  
I  
L  
L  
S  
  
T  
H  
U  
N  
D  
E  
R  
B  
I  
R  
D  
  
C  
E  
N  
T  
E  
R

**HARDWARE SECTION**



**354798-S                      354899-S                      354973-S**

- 354798-S Screw – Tail Lamp Lens – 56..... 1.00
- 354899-S Screw Parking Lamp Lens – 57 – Reproduction ..... 1.00
- 354973-S Screw – Backup Lamp Lens to Body – 56..... 1.40
- 358898-S Screw – Rear Lamp Lens – 57 – Replacement ..... .50



**358898-S                      358996-S                      384345-S**

- 354488-S Screw – Door Lock Striker Plate – Phillips – 55 ..... 1.10
- 358996-S Screw – Door Lock Striker Plate – 56/57..... 1.10
- 384345-S Adjusting Screw – Rear Door Glass Run ..... 5.20



**AU7677                      AU7678                      AU7683**



**AU7684                      AU14833                      AU14834**

- AU7677 Nickel Cup 1-1/64" Barrel Length ..... 0.60
- AU7678 Socket Fastener Nickel on Brass ..... 0.60
- AU7683 Clinch Plate 7/32" in Prongs, use with AU7684 ..... 1.25
- AU7684 Clinch Plate use with AU7683..... 0.75
- AU14833 Stud Fastener Stainless Steel #8 x 3/8" ..... 1.00
- AU14834 Stud Fastener Stainless Steel #8 x 5/8" ..... 1.00



**33947-S7                      34032-S                      34034-S**

- 33847-S Nut – Use with 33725 P/S Retention Line Connector ..... 15.70
- 33923-S Nut – Seat Stop/Lift Bar Spring Bolt/Dashpot ..... 0.30
- 33947-S7 Nut – Steering Wheel and P/S Return Line ..... 0.90
- 34032-S Nut Slotted for Tie-Rod Ends – 1/2" High ..... 1.50
- 34034-S Nut – Slotted – Ball Joint..... 1.60
- 385002-S Nut – Slotted for Tie-Rod Ends 3/8" High ..... 1.50



**34395-S                      34394-S**

- 34393-S Nut – Locking – 5/16 – 24..... 0.60

**HARDWARE SECTION**

- 34394-S Nut – Locking – Seat Frame Stud and Fuel Tank Strap Bolts – 3/8 – 16..... 0.80
- 34395-S Nut – Locking – 3/8 – 24..... 0.60
- \*34399-S8 Nut Arm and Front Bumper to Frame 57 Used Original ..... 3.00
- 34655-S 10 – 24 Nut and Lock Washer ..... 0.50
- 34656-S 6 – 32 Nut and Lock Washer ..... 0.30



**34673-S                      34424-S7**

- 34673-S Nut Exhaust Pipe to Exhaust Manifold Brass..... 1.20
- 34660-S 1/4 – 28 Nut and Lock Washer ..... 0.30
- 34662-S 5/16 – 24 Nut and Lock Washer ..... 0.40
- 34424-S7 Nut Locking 3304 to P/S Ram Cylinder..... 3.50
- \*45174-S8 Nut Special..... Call
- 45218-S Lock Nut Connecting Rod Bolt and Shock Stud ..... 0.30
- 45219-S Nut – Stamped for LH Vent Cable ..... 0.30
- 45253-S 8 – 32 Stamped Nut ..... 0.30



**354573-S                      351062-S                      354577-S**

- 351062-S Nut – Special – Clutch Adjusting Rod ..... 7.00
- 351075-S Jam Nut for 7A652 Kick down, 2 per Car ..... 0.75
- 351089-S8 Nut Special Carburetor to Intake 57..... 3.45
- 351124-S Nut – Generator Pulley to Shaft – Special ..... 1.00
- 351153-S Nut – Pittman Arm to Steering Sector ..... 3.85
- \*354361-S Nut Oil Pickup Tube to Pan ..... 5.00
- 354526-S Nut – Special – Steel Rocker Arm Covers ..... 1.85
- 354573-S Nut – Front Spindle ..... 2.00
- 354577-S Nut Crown Stainless – At Rocker Arm Covers ..... 2.50
- 355768-S Nut – Headlamp Bucket to Fender, 8/Car ..... 0.50
- 356080-S Nut – Rear Brake Drum Retaining ..... 1.00



**356094-S                      356164-S                      357227-S**

- 356094-S Nut – Windshield Wiper Pivot Shaft ..... 12.90
- 356164-S Nut – Trunk Lock Sleeve Retaining ..... 1.55
- 357227-S Nut and Retainer – Fender Apron at Bottom..... 0.50
- 358002-S Nut – Slotted – For Tie Rod Ends..... 1.35



**351126-S                      389546-S100                      371518-S**

- 351126-S Locknut Pinion Flange 55/56 ..... 24.00
- \*371518-S Locknut Pinion Flange to Pinion 57 Original Type..... Call
- 389546-S100 Locknut Pinion Flange to Pinion 57 Replacement ..... 9.75
- 351588-S Washer Pinion Flange Nut 57..... Call
- 356504-S Washer Pinion Flange Nut 55/56 ..... 4.00

**\*Limited Availability**

H  
I  
L  
L  
S  
  
T  
H  
U  
N  
D  
E  
R  
B  
I  
R  
D  
  
C  
E  
N  
T  
E  
R

## HARDWARE SECTION



88411-S

352736-S

50514-S	Stud – All Thread – For 16607 Hood Emblem.....	0.30
88411-S	Stud – Carburetor Mounting – in Manifold – 55 .....	1.00
352736-S	Stud – Seat Frame to Floor pan.....	3.10
354575-S	Stud – Use with Steel Rocker Arm Covers.....	1.95
354576-S	Stud – Used with Aluminum Valve Covers.....	3.10
357428-S	Stud – Carburetor Mounting – in Manifold – 56 .....	1.00
359697-S	Stud – Carburetor Mounting – in Manifold – 57 .....	1.00
379001-S	Stud Gas Door.....	0.75
379003-S	Stud Fender Vent Door.....	0.75
379004-S	Stud Rear Clamp Receptacle.....	1.50



87907-S

87924-S

358032-S

87907-S	Lubricator Fitting – Straight.....	0.55
87924-S	Lubricator Fitting – 90 Degree.....	0.85
358032-S	Lubricator Fitting – 67 1/2 Degree.....	0.95



AU7688

KTBRD

351629-S

AU7688	Stud #7 x 1/2" for 55/56 Drop Curtain.....	1.30
KTDRD	Same as Above Kit Package of 6 55/56 .....	4.20
KTDRB	Kit for Drop Curtain 2 Pieces 57 .....	
351629-S	Drive Nail – Hood Pad to Cowl.....	0.90

(Also See Drive Nail Kit-K16740)



76007-S

76005-S

354171-S

76005-S	Rivet Replacement Kit - Short – 1/2" Stainless.....	5.15
76006-S	Rivet Replacement Kit - Medium – 9/16" Stainless.....	5.15
76007-S	Rivet Replacement Kit - Long – 5/8" Stainless .....	5.15
354169-S	Pin – Folding Top – 3/4" Long Stainless.....	5.85
354170-S	Pin – Folding Top – 1-1/8" Long Stainless .....	6.25
354171-S	Pin – Folding Top at Swing Bar – 2-3/8" Long Polished Stainless .....	6.35
357412-S	Pin – Folding Top – 1-1/8" Long Stainless .....	5.15



34941-S

351548-S

351802-S

34941-S	Washer – at Fender Brace and Under Dash .....	4.00
351385-S	Washer – Intake & Exhaust Manifolds .....	1.20
351467-S	Washer Park Brake Lever Pin.....	1.50
351496-S	Lock Washer – Special – Generator Pulley .....	0.55
351548-S	Washer – Trunk lock Sleeve Nut .....	1.00
351802-S	Cup Washer – Door Molding Spacer to Door Panel .....	2.10

## HARDWARE SECTION



354054-S

357001-S

357002-S

354054-S	Washer – Rocket Arm Cover – Chrome.....	1.50
*354861-S	Washer Rear Seal Cap Bolt (6350) .....	2.00
357001-S	Washer – Formed – Body Bolt to Body – 55/56.....	1.25
357002-S	Washer – Body Bolt to Body – 57 .....	1.00



\*354861-S

359410-S

359820-S

359410-S	Wedge Washer – 57 Trunk Handle.....	1.55
359820-S	Washer – Spacer – Hood Locks to Firewall .....	0.40



53213-S

356383-S

356600-S

51374-W	Spring Washer for 51374-S Sleeve .....	1.25
53213-S	Wave Washer – Convertible Top Frame.....	1.25
351341-S	Wave Washer – Kick Down & Shift Rods.....	1.00
351467-S	Wave Washer – Park Brake Cable Lever Pin .....	1.75
356214-S	Washer – Convertible Top Frame.....	1.30
356383-S	Spring Washer – Convertible Top & Clutch Bolts.....	1.30
356600-S	Wave Washer – Convertible Top Frame.....	1.40



\*372757-S

\*373820-S

353080-S

*372757-S	Washer Vibration Damper .....	10.00
*372720-S	Ball Bearing Transmission Detent.....	1.50
*373820-S	Washer 3/8" Copper on (4141) Carrier 57 .....	1.50
353080-S	Ball Bearing – Steel – Seat Tracks .....	1.10



74151-S

74144-S	Key Woodruff 1/8" x 5/8".....	1.50
74151-S	Key – Flywheel Damper to Crankshaft.....	1.05
74175-S	Key – Timing Gear to Crankshaft & Generator Pulley to Rotor.....	0.50
74177-S	Key – Timing Gear to Camshaft .....	0.60



33896-SR

9603-AR

9603-BR

33896-SZ	Wingnut – Stamped – Battery Hold Down – Zinc.....	0.60
9603-AR	Wingnut – Air Cleaner – 55/56 – Chrome .....	3.40
9603-BR	Wingnut – Air Cleaner – 57 – Chrome .....	3.40

H  
I  
L  
L  
S  
  
T  
H  
U  
N  
D  
E  
R  
B  
I  
R  
D  
  
C  
E  
N  
T  
E  
R

**HARDWARE SECTION**



**351204-S                      351789-S**

- 351204-S Copper Washer Gasket – P/B Booster Hydraulic Cylinder End Plug..... 3.00
- 351789-S Copper Washer – Power Steering Pump ..... 2.25



**354926-S                      357000-S**

- 354926S-S J – Nut Exhaust Deflector to Bumper – 57 ..... 3.50
- 357000S-S J – Nut – On Frame for Body Bolts ..... 4.00



**393000-S                      393002-S                      393003-S**

- 393000-S Body Shim – 1/8" Thick..... 1.10
- 393001-S Body Shim – 1/16" Thick..... 1.00
- 393002-S Washer – Steel Body Mount 5/16" Thick 10/car ..... 2.00
- 393003-S Washer – Rubber – 56 at Rear Cross member – Pair 7.00



**97011-S                      353350-S8**

- 97011-S Clevis Kick down Rod (also see 7354) ..... 7.90
- 353350-S8 Clip Overdrive Cable at Transmission ..... 15.00



**353577-S                      358568-S**

- 353577-S Barrel Nut for Scripts ..... 0.40
- 358566-S Retainer – Door and Upper Back Panel Garnish..... 0.75
- 358567-S Retainer – Upper Grille Molding 55/56 Not Stainless.. 0.75
- 358568-S Retainer – Upper Grille Molding 57 Not Stainless ..... 0.75



**352284-S                      352962-S                      353626-S**

- 352284-S A=1 1/4; B=7/16 – Rubber Plug – Floor Pan and Lower Door Pillar, Correct Style..... 2.20
- 352284-S2 Same as Above, Not Correct Style..... 1.30
- 352285-S A=1 13/16; B=7/16 Rubber Plug – Floor Pan For 1 7/16 Hole, Correct Style..... 2.20

**HARDWARE SECTION**

- 352285-S2 Rubber Plug Same as Above, Not Correct Style..... 1.30
- 352291-S Rubber Plug 3/4" ..... 2.20
- 357216-S Rubber Plug 1.87" ..... 2.20
- 352962-S Grommet – Tachometer Cable – Wiring through F/M Shifter Support ..... 2.50
- 353626-S Grommet – RH Vent Control – Like Original ..... 3.90



**354125-S                      357042-S                      357170-S**

- 354125-S Grommet – Hood Release Cable..... 3.05
- 357042-S Plug – Rubber – 5/8 Hole Diameter ..... 1.65
- 357170-S Bumper – Gas Filler Lid – 55/56 – Pkg. 2 ..... 3.50



**359048-S                      370322-S                      377394-S**

- 359048-S Rubber Grommet – Power Brake Booster ..... 10.70
- 370322-S "O" Ring – Fuel Filler Neck – 57 ..... 2.00
- 377394-S Grommet – Used in PCV Kit ..... 8.00



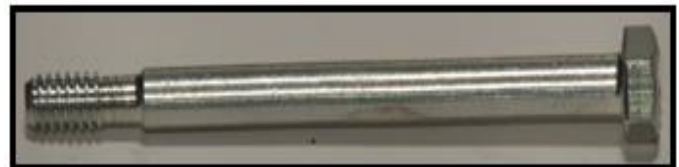
**377949-S                      380239-S                      5007**

- 377949-S A=7/8; B=23/64 – Rubber Plug or Grommet – Standard Transmission Shifter..... 4.25
- 380239-S Rubber Bumper – Gas Filler Lid – 57 and Defroster Flapper, Requires 2 ..... 2.00
- 5007 Bumper – Body to Frame – Rubber – 10 Used Per Car Retained by 371900-SR Clip – All Bumpers and Clips Are Included in 400E Kit ..... 3.00



**14651**

- 14651 Grommet – Headlamp and Park Lamp Wiring (55/56 Uses 4) (57 Uses 4 + 2 of the 14651-S)..... 3.35
- 14651-S Grommet – Small – Headlamp Wiring 57 Only (2-Required) ..... 2.95



- 354668-A Bolt Power Steering Reservoir Lid Early 2-1/2" Long..... 6.95
- 354668-B Bolt Power Steering Reservoir Lid Late 3-1/2" Long..... 6.95

H  
I  
L  
L  
  
T  
H  
U  
N  
D  
E  
R  
B  
I  
R  
D  
  
C  
E  
N  
T  
E  
R





## HARDWARE SECTION



21090-S

42703-S

42704-S

21090-S	Bolt – Front Motor Mount .....	4.00
39909-S	Bolt – Brake Block and Line Clip to Frame .....	0.75
*41580-S	Bolt Mounts 3511 to 3509 .....	3.00
*42703-S	Bolt Trunk Hinge Long .....	5.00
*42704-S	Bolt Trunk Hinge Short.....	5.00
*42817-S	Screw Door Post Upper .....	1.50

### \* Limited Stock



\* 350032-S

351757-S

352222-S

*350032-S	Bolt Distributor Primary Terminal .....	6.00
351757-S	Bolt – Steering Column to Dash – with Nut .....	2.90
352222-S	T-Bolt Soft Top weather-strip .....	1.00



353531-S

354126-S

\*354248-S

*351759-S	Bolt Arm to Frame, Used Original .....	Call
353531-S	Bolt – Seat Back Adjusting & Stop .....	4.00
353903-S	Bolt Special – Shoulder Seat Frame .....	5.85
354126-S	Bolt – Special – To Attach 3C511 P/S Bracket.....	16.85
*354248-S	Bolt Spindle to Steering Arm, Used Original.....	5.00
*356694-S	Bolt Front Brake Grease Baffle, Used Original.....	5.00

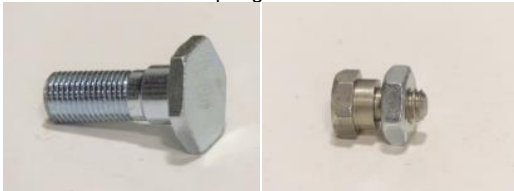


\*356694-S

354666-S

354721-S

354666-S	Bolt Door Internals .....	0.75
*354666-S2	Bolt Door Internals Use Originals .....	1.00
354721-S	Tie Bolt for Rear Springs – with Nut .....	4.00



355702-S

358390-S

355702-S	Bolt – Shoulder – Clutch Rod Linkage.....	3.25
358390-S	Bolt Vent Door Lever Shoulder Bolt .....	6.00
372000-S	“E” Clip – Accelerator Linkage Pivot Pin – 55.....	0.65
372001-S	“E” Clip – Folding Top Replacement Rivet Pins.....	0.20

## KITS WINDSHIELD KITS



**K03606-Also see Page 111**

K02626	Windshield Pillar weather-strip to Pillar (02626 & 02627) .....	1.75
K03136	Outside Windshield Moldings (03136-03137) To Windshield Frame .....	2.40
K03474	Windshield Header Dowel Strikers to Header.....	2.10
K03606	Windshield Garnish Moldings Inside to Windshield Frame – Does not Include K17702 & K04144.....	5.00
<b>**See Page 111 for Installation Instructions on K03606 Kit**</b>		
K04144	Visor Arm & Retainer to Header .....	3.10
K04358	Dash End Trim (04358-04359) to Doors .....	1.50
K17666	Windshield Washer Jets to Cowl .....	1.10
K17702	Inside Mirror to Header & Tensioning 55/57.....	1.75
K50530	Front Latch Hook Plates to Windshield Header .....	1.50

### DOOR KITS



**KTDPB**

KTDPB	Door Panels to Door 55/56 Both Sides .....	9.75
KTDPB	Door Panels to Door 57 Both Sides .....	9.75
KTDPC	Door Panels to Door 55/56 W/O Clips .....	2.25
KTDPD	Door Panels to Door 57 W/O Clips .....	2.00
K17696A	Outside Rear View Mirror to Door 55 .....	1.10
K17696B	Outside Rear View Mirror to Door 56/57 .....	1.10
K20314	Door Pillars (20314-20315) to Doors .....	3.00
K20316	Kit Install Lower Pillar Bracket 20316-20317.....	1.50
K20320	Kit Install Upper Door Pillar 20320-20321 .....	1.50
K20572	Door weather-strip Retainers to Door 57 .....	1.20
K20768	Power Window Wiring Protector to Door.....	1.00
K20906	Door Garnish (20906-20907) to Doors.....	2.50
K20906A	Door Garnish (20906-20907) to Doors With Oversize Threads .....	3.00
K21032	Door Panel Channels (21032) to Doors .....	1.50
K21122	Door Access Plates to Door.....	3.20
K21134	Door Molding Spacers (21134-21135) to Doors Includes 351802-S Cup Washers .....	5.00
K21144	Door Garnish Plates (21144-21145) to Door.....	1.25



**K21172**

K21172	Door Garnish Moldings (21172) to Garnish.....	6.00
--------	---	------

H  
I  
L  
L  
S  
  
T  
H  
U  
N  
D  
E  
R  
B  
I  
R  
D  
  
C  
E  
N  
T  
E  
R

**DOOR KITS**

K21508	Window Rear Channels (21508-21509) to Doors.....	1.50
K21546	Door Glass Run (21546) to Pillars.....	2.70
K21546R	Door Glass Run (21546) to Pillars Rivet Type requires Tool 21546-T.....	4.00
K21760	Kit Lower Window Stops to Access Panel.....	2.00
K21770	Upper Window Stops to Door.....	2.40
K21812	Door Lock Assembly (21812-21813) to Door.....	4.00
K21818	Door Remotes (21818-21819) to Doors.....	2.50
K22400A	Outside Door Handles to Door.....	1.75
K22454	Door Push Buttons to Door Handles.....	1.10
K22810	Door Hinge to Body 4-Needed per Car.....	4.40
K23202	Manual Window Assy (23202-23203) to Doors.....	7.50
K23208	Power Window Assy (23208-23209) to Doors.....	3.50
K23234	Window Scissors (23234-23235) to Door.....	2.00
K24140	Arm Rest to Door Panels (24140-24141).....	2.75

**GENERAL KITS**

K800	Data Plate to Firewall (2-pcs).....	4.15
K900	Staples- Like Original for Seals And Weather-strips (Package of 50).....	9.75
K900A	Staples - Same as K900 but (Pkg. of 12).....	3.75

**DASH & FIREWALL KITS**

K800	Data Plate to Firewall (2-pcs).....	4.15
K2454	Ford-o-matic Brake Pedal to Pedal Arm (2-pcs).....	1.45
K2455	Brake Pedal Bracket to Dash Firewall & Cowl (14-pcs).....	4.90
K2780	Emergency Brake Assembly to Firewall (4-pcs).....	1.00
K2857	Emergency Brake Cable to Firewall (2-pcs).....	0.80
K3509	Steering Column Trim (3A673) to Retainer (4-pcs) ..	1.70
K3513	Steering Column Seal (3513) to Firewall (9-pcs).....	2.50
K3A673	Steering Column Trim (3A673) to (3678).....	1.70
K9280	Fuel Gauge to Dash 55/56 (2-pcs).....	0.90
K9735	Accelerator Pedal (9735) to Floorboard And Bracket to Firewall (4-pcs).....	2.00
K10848	Dash Instruments to Housing 57 (16-pcs).....	2.00
K10883	Temperature Gauge to Dash 55/56 (2-pcs).....	0.90
K10987	Instrument Cluster Trim (10987) to Dash 57 (7-pcs)	2.30
K13A024A	Dimmer Switch (13A024) to Cover (4-PCS).....	1.10
K13341A	Turn Signal Switch (13341A) to Column (2-pcs).....	1.00
K13535	Dimmer Switch Cover (13535) to Firewall (4-pcs)....	1.10
K16907	Hood Release Cable Retainer to Firewall (6-pcs)....	2.00
K16930A	Hood Release Cable Bracket to Dash (6-pcs).....	1.80
K16930B	Hood Release Cable Retainer to Firewall.....	1.90
K17508	Vacuum Wiper Motor (17508) to Body (4-pcs).....	1.10
K18471	Heater Air Chamber (18471) to Firewall (3-pcs).....	1.70
K02546	Cowl Braces to Dash & Firewall (02546) (22-pcs)....	4.00
K04291	Dash Pad Retainer Straps (04291) to Dash (12-pcs)	2.00
K04320	Dash to Cowl & Door Pillars (18-pcs).....	3.00
K04338	Dash Trim to Dash (4-pcs).....	1.10
K04338A	Dash Trim to Dash & Glove Box Grommet Screw....	1.10
K04454	Speaker Cover to Dash (8-pcs).....	1.60
K04454A	Radio Speaker to Dash (4-pcs) Wingnuts.....	1.60
K04810	Ashtray to Dash and Ashtray Door (6-pcs).....	1.25
K06010	Glove Box (06010) to Dash (4-pcs).....	1.30
K06050	Glove Box Hinge (06050) to Door (6-pcs).....	1.25
K06050A	Glove Box Hinge (06050) to Dash (6-pcs).....	1.10
K06081	Glove Box Latch (06081) to Door (4-pcs).....	1.70
K06117	Glove Box Arms (06117-06118) to Door (4-pcs).....	1.10
K06151	Glove Box Latch Plastic Guide (06151) to Dash (4-pcs).....	1.50

**HARD TOP KITS**



**K51500**

K25666	Crest Medallion (25662-25666) with Pad to Top One Kit Needed for each Medallion.....	1.50
K30534	Porthole Rings (29004-30534) to Hardtop (12-pcs) .	2.60
K50500H	Hardtop Side Clamps (50500) to Top (4-pcs).....	3.00
K50508H	Hardtop Front Clamps (50508) to Top (8-pcs).....	3.00
K50552	Rear Hold Down Plates to Rear Deck Part (50552-50553).....	2.90
K50608H	Hardtop Rear Clamp Plates (50608-9) to Top (8-pcs)	4.00
K51000	Hardtop Edge Moldings to Top (20-pcs).....	4.00
K51500	Hardtop weather-strip (51500-1) to Hardtop (63-pcs)	7.65
K51928	Hardtop Binding Joint Covers to Hardtop (6-pcs)....	1.60

**TRANSMISSION & DIFFERENTIAL KITS**

K7324	Kit to Retain 7324 Cover to Floor Tunnel.....	1.20
K7326	Kit F/M Shift Rod (7326) to Transmission.....	2.60
K7398	Kit S/T Shifter Base to Tunnel.....	1.50
K7416	Kit F/M Shifter Base to Tunnel.....	1.50
K7980	Kit for F/M Access Cover to Convertor Housing.....	0.50
K7990	Kit Convertor Air Duct Assembly to Transmission....	1.00
K77138	Kit Governor Inspection Cover to Transmission.....	1.20
K77624	Kit Retainer Automatic Trans Gear Shift Lever Shaft.....	1.50
K15798	Kit F/M Shifter Housing Control Selector Dial.....	1.00
K15805	Kit for Dial Indicator Lens F/M.....	0.50
K15839	Kit for F/M Transmission Control Selector.....	1.00
K15840	Kit for F/M Transmission Control Selector Dial Shield.....	0.50

**SEAT KITS**

KTBR	Seat Back Panel to Seat 55/57 (48-pcs).....	5.75
K60440	Power Seat Brackets to Floor (8-pcs).....	1.60
K61755	Manual Seat Handle to Arm (2-pcs).....	1.10
K60402A	Kit Seat Drive (60402A) Pins and Retainers Under Seat.....	3.40
K60402B	Kit Seat Drive (60402B) Pins and Retainers Behind Seat.....	3.35
K60402C	Kit Seat Drive same as above contains (K60402A & B).....	6.75

**INTERIOR KITS**

K6941	Transmission Governor Cover to Floor Pan (4-pcs) .	1.15
K01508	Pedal Assembly to Dash (5-pcs).....	1.55
K01605A	Firewall Cover to Firewall 12-Original Pins.....	35.95
K01605B	Firewall Cover to Firewall 12-Plastic Pins.....	24.00
K01914	Air Deflector Scoops to Body (6-pcs).....	1.55
K02140	Side Vent Arms to Duct 2/Used per Car (4-pcs).....	10.00
K02216	Vent Grilles Inside to Body (8-pcs).....	1.55
K13208	Step Plates to Body (16-pcs).....	2.60
K40408-9	Upper Back Panel Garnish Molding to Body Part (40408-40409) (16-pcs).....	5.90
K50502	Side Hold Down Plates (50502-50503) to Body (12-pcs).....	2.75
K61832	Kit Floor Plug Buttons for Power Seat Cars.....	2.00
KTDR A	Drop Curtain to Floor 55/56 (6-pcs).....	4.20
KTDR B	Drop Curtain to Floor 57 (2-pcs).....	9.90
KTQP	Quarter Trim Panels to Body (20-pcs).....	2.85

**INTERIOR TRIM SCREW KITS**

Order One Part Number and Get All the Interior Trim Kits you need

KITSK55	Interior Trim Screw Kit 1955 (142-pcs).....	26.00
KITSK56	Interior Trim Screw Kit 1956 (158-pcs).....	30.00
KITSK57	Interior Trim Screw Kit 1957 (161-pcs).....	32.00

H  
I  
L  
L  
S  
  
T  
H  
U  
N  
D  
E  
R  
B  
I  
R  
D  
  
C  
E  
N  
T  
E  
R

**SOFT TOP KITS**

K50500S	Soft Top Side Clamps (50500) to Top (4-pcs).....	3.75
K50508S	Soft Top Front Clamps (50508) to Top (8-pcs).....	4.25
K50552	Rear Hold Down Plates to Rear Deck Part(50552-3)	2.90
K50608S	Soft Top Rear Clamp Plates (50608-9) to Top (8-pcs)	4.50
K51154	Soft Top Webbing Plates to Number 2-Bow (4-pcs) .	1.20
K51340A	Soft Top Front Header Centers Castings to Ends (6-pcs) .....	3.10
K51340B	Soft Top Front Header End Castings To First Side Rails (16-pcs).....	4.60
K51354	Soft Top Bows to Frame (16-pcs) .....	5.30
K51390A	Soft Top Front Header Trim (51390) to Frame Includes (50374-50375) End Retainers (22-pcs).....	19.95
K51390B	Soft Top Front Header Trim (51390) to Frame Without (50374-50375) End Retainers (20-pcs) .....	9.95
K514A00	Soft Top Binding Joint Covers to Tops .....	1.50
K51502	Soft Top weather-strip (51502) to Frame .....	10.00
K51502T	Soft Top T-Bolts Only 12-pcs .....	24.90
K52700S	Soft Top rear window straps to top.....	3.85
K53118A	Soft Top Swing Bar Feet (53118-9) to Floor Pan (12-pcs) .....	2.00
K53118B	Soft Top Feet Halves to Each Other (14-pcs).....	3.50
K53118C	Soft Top Swing Arm Feet 55/57 Includes Special Adjusting Bolts .....	19.75

**TRUNK KITS**

K1424	Kit Spare Tire Hold Down Clevis Pins, Washers & Clips 57 .....	2.50
K42700A	Trunk Lid (40110) to Hinges (4-pcs).....	2.25
K42700B	Trunk Hinges (42700) to Body (6-pcs) .....	2.25
K43200B	Trunk Latch Assembly (43200) to Trunk 55/56 (3-pcs)	1.75
K43200C	Trunk Latch Assembly (43200) to Trunk 57 (4-pcs) ..	2.00
K43252	Trunk Latch Striker (43252) to Body (4-pcs).....	2.20
K45415C	Trunk Side Cardboards to Body 57 (13-pcs) .....	2.85
K45444	Trunk Divider Board Screws 55 (5-pcs).....	1.85

**BODY FRONT KITS**



**K8200A**

K8200A	Grille to Body and Lower Molding-Lower Molding To Front Deflector, Front Deflector to Rear Deflector, Side Deflectors and Fenders With Illustrated Instructions 55/56. (103-pcs) .....	16.95
K8200B	Grille to Body and Front Deflector, Front Deflector To Ends and Rear Deflector, Rear Deflector To Side Deflectors, Ends to Side Deflectors And Fenders. With Instructions 57 (151-pcs) .....	16.95
K8200C	Grille at Top Body Included in (8200A & B) (6-pcs) ..	2.10
K8242	Side Grille Moldings (8242 & 8243) to Body (10-pcs) .....	2.80
K8259	Nameplate (8259) to Front Panel with Pad (3-pcs)...	1.25
K8310	Center Rear Deflector Access Panel (8310-C) To Deflector-Included in (8200A & B) (3-pcs).....	1.10
K8419A	Upper Grille Molding (8419A) to Body 55/56 (18-pcs) .....	4.75
K8419B	Upper Grille Molding (8419B) to Body 57 (18-pcs)...	5.75
K13064	Headlamp Door/Brow (13064) to Body (2-pcs).....	2.00
K16237	Y-Block Emblems (16237) to Body 55 (4-pcs).....	1.60
K42550	Crossed Flags (42550) Front & Rear 55 (4-pcs).....	1.75



**K8419B**

**LAMP KITS**

K13008	Headlamp Bucket to Fender and Retaining Ring (22-pcs).....	4.50
K13206B	Park Lamp Body (13206B) to Bumper 57 (12-pcs) ..	2.00
K13208A	Park Lamp Lenses (13208A) To Lamp Body 55/56 (6-pcs) .....	3.00
K13208B	Park Lamp Lenses (13208B & 13209B) To Lamp Body 1957 (4-pcs) .....	2.00
K13434A	Rear Lamp Bodies (13434Aor B) to Quarters 55/56 (6-pcs).....	1.50
K13434C	Rear Lamp Housing (13434C) to Quarters 57 (16-pcs).....	4.00
K13448	Kit Rear Lamp Body to Quarter 57.....	3.00
K13450A	Rear Lamp Lenses (13450A) to Lamp Body 55 (6-pcs).....	7.50
K13450B	Rear Lamp Lenses (13450B) to Lamp Body 56 (6-pcs).....	8.00
K13450C	Rear Lamp Lenses (13450C-D-E) To Lamp Body 1957 (8pcs) .....	2.00
K13550A	License Lamp Assembly to Car 55/56 (2-pcs) .....	1.20
K13550C	License Lamp Assembly to Car 57 (2-pcs) .....	1.00
K13564	License Lens to Body 55/56 (2-pcs) .....	1.00
K15514A	Backup Lamp Lenses (15514A) to Lamp Body 55 (12pcs) .....	12.00
K15514B	Backup Lamp Lenses (15514B) to Lamp Body 56 (4-pcs).....	6.00
K15514C	Backup Block off Plate (15514C) to Lamp Body 55 (6-pcs).....	2.00
K15515B	Backup Housing (15515B) to Rear Quarter 56 (12-pcs).....	3.50

**GLASS KITS**

K03232	Lower Wind wing Hinges to wind wing Frames (8-pcs)	4.20
K22224	Door Glass Stainless (22224 & 22225) to Channel (6-pcs).....	2.0

**SKIRT KITS**

K27980	Skirt Clips to Quarter Panel (8-pcs) .....	2.00
K29164	Skirt Trim (29164 & 29165) to Fender Skirts (18-pcs)	1.70

**BODY SIDE AND HOOD KITS**

K02170	Cowl Side Vent Door (02170) to Hinge And Hinge to Fender 56/57 (12-pcs).....	2.00
K16098	Thunderbird Scripts (16098) to Fenders 57 (10-pcs)	2.90
K16099A	Kit Fastener for Kit (16099-AK).....	19.10
K16099B	Kit Fastener for Kit (16099-BK).....	16.25
K16099C	Kit Fastener for Kit (16099-BK).....	23.30
K16228	Louver Trim (16228 & 16229) to Front Fenders (12-pcs).....	2.20
K16237	Y-Block Emblems 55 .....	1.55
K16607	Hood Emblem (16607) to Hood Includes 16873 Spacers.....	6.00
K16607A	Kit Hood Emblem (16607) to Hood with Studs.....	10.00
K16700	Hood Locks (16700-16701) .....	3.00
K16700A	Kit Washers Between Hood Locks & Firewall 8-pcs.	4.00
K16707	Hood Latch Pin Brackets (16707-16716) to Hood (12-pcs).....	2.00
K16740	Hood Pad (16740A & 16740B) Drive Nails to Body .	8.35
K16796A	Hood Hinge to Hood (12-pcs).....	2.00
K16796B	Hood Hinge to Bracket (16798-9) (12-pcs) .....	2.00
K16907	Hood Release Retainer (16907) to Firewall .....	2.25
K16929	Kit Hood Latch Pins (16929) to (16707-16716) Hood Brackets.....	3.00
K16930	Hood Release Cable Bracket (16930) to Dash .....	3.00
K25622	Thunderbird Scripts (25622) to Body 55/56 (8-pcs) .	2.60
K25666	Crest Medallion (25666) with Pad (3-pcs) One Kit Needed for Each Medallion.....	1.50

H  
I  
L  
L  
S  
  
T  
H  
U  
N  
D  
E  
R  
B  
I  
R  
D  
  
C  
E  
N  
T  
E  
R

**BODY REAR KITS**

K1352	Continental Kit Stone Guard (1352) to Mount (12-pcs) .....	2.00
K1481	Continental Kit Holder (1481) to Body/Frame 56 .....	5.95
K9034A	Gas Filler Lid to Hinge & Hinge to Deck Lid 55/56....	1.75
K9034B	Gas Filler Lid to Hinge 57 .....	2.10
K9034C	Fuel Inlet Bracket to Filler Tube & Rear Quarter 57..	1.75
K9092	Fuel Tank Straps to Retaining Bolts (4-pcs) .....	2.00
K9275	Fuel Sending Unit to Tank 55/56.....	2.00
K13596	License Lamp Holder (13596) to Body 55 (6-pcs) ....	1.20
K28611	Gas Filler Hinge to Lid & Body 57 .....	2.20
K40628A	Gas Filler Lid to Hinge & Hinge to Deck Lid 55/56....	2.00



**K6038**

K6038	Front Engine Support Insulator to Frame (11-pcs)...	4.00
K6054	Rear Transmission Brace (6054) to Frame (18-pcs)	2.90
K6068	Rear Transmission Mount (6068) to Frame (6-pcs) .	2.70
K6312	Flywheel Damper (63120 to Crankshaft (4-pcs) .....	7.00
K6366	Kit Flywheel Inspection Cover (6366) .....	4.00
K6582K	Aluminum Rocker Arm Covers to Head 55/57	

Includes Chrome Washers, Acorn Nuts & Studs..... 25.50  
**See 6A506-A for Rocker Cover Gaskets & Seals**  
**See 6570-A for Rocker Cover Seals Only**



**K43500**

K43500	Trunk Handle (43500) to Insert and Deck Lid With Wedge Washers (11-pcs) .....	6.50
K43500A	Trunk Handle (43500) to Insert and Deck Lid Without Wedge Washers (9-pcs) .....	4.00
K50552	Rear Hold Down Plates to Rear Deck Parts (50552-50553).....	2.90

**EXHAUST SYSTEM KITS**



**K5202A**

**K5246**



**K5202B**

**K5261A**

K5202A	Exhaust Deflectors (5202A & 5203A) to Bumper 56 (22-pcs) .....	9.00
K5202B	Exhaust Deflectors (5202B) to Bumper 57 (12-pcs) .	10.00
K5205	Exhaust Brackets (5205 & 5207) to Frame 56/57 (6-pcs) .....	4.50
K5246	Inlet Pipes (5246-5248) to Exhaust Manifolds .....	8.99
K5261A	Rear Exhaust Hangers (5261A) to Bumperettes 55 (6-pcs) .....	2.00

**ENGINE & ENGINE COMPARTMENT KITS**

K2005	Power Brake Booster (2005) to Bracket (2031) (4-pcs) .....	1.50
K2031	Brake Booster Bracket (2031) to Apron (12-pcs).....	2.50
K5246	Muffler Inlet Pipes to Exhaust Manifolds With Brass Nuts (12-pcs) .....	10.00
K6019	Kit Timing Case Cover to Engine .....	9.00

K6582N	Acorn Nuts Only Aluminum Rocker Covers (4-pcs) .	10.00
K6582NSW	Aluminum Rocker Cover-Nuts-Seals-Washers .....	18.95
K6582S	Studs Only for Aluminum Rocker Covers (4-pcs).....	12.40
K6582W	Washers Only Aluminum Rocker Covers (4-pcs).....	6.00
K6675A	Oil Pan (6675) to Block 55/56 (46-pcs) .....	15.75
K6675B	Oil Pan (6675) to Block 57 (42-pcs) .....	16.75
K6758	Down Draft Tube (6758) to Engine (3-pcs) .....	1.50
K6869	Vent Tube Opening Cover (6869) to Block (4-pcs) ..	1.80
K6954	Engine Steady Rest Brackets (6954-6955) to Block .	2.85
K7A185	Accelerator Bell Crank to Intake Manifold (4-pcs) ....	1.50
K7A187A	Fordomatic Kickdown to Bell Crank 57 (4-pcs) .....	2.00
K7326	Fordomatic Shift & Kick Down Rods to Trans .....	2.60
K8005F	Radiator to Radiator Frame 55 (12-pcs) .....	2.75
K8005C	Radiator to Radiator Frame 56/57 (4-pcs) .....	6.00
K8005D	Radiator Frame to Body (18-pcs).....	3.30
K8005G	Upper Fan Shroud to Radiator 55.....	3.75
K8005A	Upper Fan Shroud to Radiator 56/57 (8-pcs) .....	6.75
K8005B	Upper Fan Shroud to Lower And Lower to Bracket 56/57 (10-pcs) .....	7.95
K8005E	Upper Fan Shroud to Lower 55 (25-pcs).....	4.00
K8005H	Lower Fan Shroud Bracket to Shroud And Radiator Bracket 55 (7-pcs).....	1.75
K8005I	Lower Fan Shroud Bracket to Shroud And Radiator Bracket 56/57 (5-pcs).....	2.75
K8501A	Water Pump to Engine without Power Steering .....	3.75
K8501B	Water Pump to Engine with Power Steering (8-pcs)	3.75
K8548	Kit Bypass Tube (8548) to Water Pump.....	0.80
K8592	Water Outlet Connector (8592) and By-Pass Tube (8548) To Manifold and Water Pump (8-pcs) .....	2.15
K8600	Fan to Water Pump (8-pcs) .....	2.50
K9350	Fuel Pump (9350) to Timing Cover (4-pcs).....	1.60
K9424	Intake Manifold to Heads (21-pcs) .....	8.95
K9430	Exhaust Manifolds (9430 & 9431) to Heads (28-pcs)	9.00
K9510A	Carburetor to Intake Nuts & Washers 1955 .....	2.60
K9510B	Carburetor to Intake Nuts & Washers 1956 .....	2.60
K9510C	Carburetor to Intake Nuts & Washers 1957 .....	12.85
K9B550	Dashpot Bracket (9B550) to Carburetor (2-pcs).....	1.85
K9848A	Choke Assembly to Intake Manifold 55 (6-pcs) .....	3.95
K10001	Generator to Generator Brackets) .....	5.85
K10316	Voltage Regulator to Apron (3-pcs) .....	1.50
K10732A	Battery Box (10732) to Apron & Firewall 55 (12-pcs)	3.75
K10732B	Battery Support to Apron and Shield to Support 56/57 (26-pcs) .....	5.75
K11002	Starter (11002) to Bell Housing (6-pcs).....	1.75
K11450	Starter Solenoid (11450) to Firewall (2-pcs).....	1.15
K12043	Coil Bracket to Manifold (4-pcs).....	2.30
K12113	Ignition Cable Brackets to Engine (8-pcs) .....	2.90
K12270	Distributor Retaining Clip to Block (2-pcs) .....	1.60
K13830	Horn Brackets (13830-13831) to Body (12-pcs).....	2.60
K13853	Horn Relay (13853) to Inner Fender Apron (2-pcs) ..	1.15
K14303	Ground Straps Engine and Battery to Firewall 57 ....	1.25
K14448A	Junction Blocks to Apron 55/56 (4-pcs) .....	2.00
K14448B	Junction Block to Apron 57 (2-pcs).....	1.25

H  
I  
L  
L  
S  
  
T  
H  
U  
N  
D  
E  
R  
B  
I  
R  
D  
  
C  
E  
N  
T  
E  
R

## TRANSMISSION & DIFFERENTIAL KITS

141



K7326

K14608	Wiring Grommet Retainer (14608) to Firewall (2-pcs)	1.20
K16050	Apron Shields (16050) to Apron (8-pcs)	2.85
K16102	Lower Rear Splash Panels to Aprons, Upper Shields & Fenders (16102-16103) 56/57	5.85
K16252	Lower Splash Shields (16252 & 16253) to Apron (12-pcs)	5.40
K16700	Hood Locks (16700-1) Original Nuts (8-pcs)	2.50
K16700A	Washers between Hood Locks and Firewall (8-pcs)	3.00
K16740	Hood Pad (16740A & B) Drive Nails to Body	8.35
K17365	Tachometer Cable Clip to Distributor (2-pcs)	1.50
K17651	Washer Bag Holder (17651B) to Apron and Lower Plate (17651C) to Apron (4-pcs)	1.50
K18471	Heater Air Chamber (18471) to Firewall	2.00
K18476	Heater Core to Housing, Housing & Inner Heater Box to Firewall (14-pcs)	2.50
K18481	Heater Hose Bracket (18481) to Apron (2-pcs)	1.20
K18527A	Heater Blower Assembly to Apron (6-pcs)	2.00
K18527B	Heater Blower Support Plate to Housing (5-pcs)	1.25
K18568A	Heater Blower Assembly to Apron	2.00
K18568B	Heater Blower Support Brace to Housing	1.50
K18584A	18584A Tie Strap to Duct & Housing (2-pcs)	1.75
K19203R	Heater Core to Housing, Housing & Inner Heater Box to Firewall	2.75
K01822	Air Control Brackets (01822) to Apron (4-pcs)	1.50

### UNDER FENDER KITS

K16102	Lower Rear Splash Panels (16102 & 16103) to Apron, Upper Shields and Fenders 56/57 (30-pcs)	7.95
K16222	Fender Support Brackets (16222) To Aprons and Fenders (12-pcs)	3.50
K16252	Lower Splash Shields (16252 & 16253) to Apron	5.40
K01900F	Fiberglass Air Ducts to Scoops and Aprons (110-pcs)	19.50
K01900S	Steel Air Ducts to Scoops and Aprons (63-pcs)	10.00
K02104	Side Vent Spacer Duct (02104 & 02105) To Aprons and Fenders (36-pcs)	4.75

### BODY TO FRAME KITS

5005AK	Master Body to Frame Kit 1955/1956	159.95
5005BK	Master Body to Frame Kit 1957	149.95
5008K	Kit Bumper Body to Frame Rubber (10-5008 Bumpers) and (10-5006 Retaining Clips)	19.95
K5009A	Body to Frame W/O J-Nuts 1955	34.95
5009AK	Body to Frame with J-Nuts 1955	59.95
K5009B	Body to Frame W/O J-Nuts 1956	36.95
5009BK	Body to Frame with J-Nuts 1956	59.95
K5009C	Body to Frame W/O J-Nuts 1957	23.95
5009CK	Body to Frame with J-Nuts 1957	59.95
K5009J	Body to Frame J-Nuts Only All Years (10-pcs)	42.75

### CHASSIS KITS

K1125	Front Hub to Spindle	23.75
K2061	Wheel Cylinders to Backing Plates (16-pcs)	3.75
K2074	Rear Brake Pipe Connector to Axle Housing 55/56	2.00
K2211	Backing Plate to Rear Axle Housing 57 (16-pcs)	57.50
K3021	A-frame Arm Bumpers to A-Frame (8-pcs)	2.00
K3049	Upper Ball Joints to Upper A-Arms (16-pcs)	4.50
K3050	Lower Ball Joints to Lower A-Frame (12-pcs)	7.75
K3078	Lower A-frame Arms to Frame (12-pcs)	104.00
K3082	Upper A-frame Arms to Frame (12-pcs)	7.75
K3105	Front Hub to Spindle (6-pcs)	24.50
K3A130	Tie Rod Ends Nuts, Cotter Pins & Seals (4) Nuts (4) Cotter Pins (4) Correct 3332-A Seals	19.00
K3304	Drag Link Sleeve Clamps (8-pcs)	4.75
K3351A	Idler Arm Bracket to Frame P/S (8-pcs)	3.75
K3351B	Idler Arm Bracket to Frame M/S (6-pcs)	3.25
K3351C	Idler Arm to Bushings-Power Steering (6-pcs)	3.00
K3A351K	Crush Nut Kit with Hardware & Instructions P/S Idler Arm to Frame	4.85
K3548	Steering Gear Box to Frame	4.75
K5486	Stabilizer Bar Bracket (5486) to Frame (12-pcs)	2.50
K5705	Rear Spring U-bolt Nuts (4-pcs) (2-Kits per Car)	5.00
K5775	Rear Spring Perch to Frame (18-pcs)	7.50
K5783	Rear Axle Bumpers to Frame (4-pcs)	2.00
K16138	Kit Radiator Support Bracket to Frame	6.00
K18072	Front Shock Lower Mounting Plate To Lower A-Frame (8-pcs)	3.00

K4033	Rear Axle Cover 55/56	7.80
K4529	Universal Joint U-Bolt-Nuts & Lock Washers	1.80
K6068	Rear Engine Mount to Frame & Transmission	4.25
K7A187A	Fordomatic Kickdown to Bell Crank 57 (4-pcs)	2.00
K7A194	Fordomatic Transmission Pan to Case	10.15
K7A247	Fordomatic Shifter to Neutral Switch	2.00
K7326	Fordomatic Shift & Kick Down Rods to Trans	2.60
K7985	Convertor Housing Cover (7985) to Housing	2.50

### BUMPER KITS



K17754A

K17754A	Front Bumper Braces to Frame 55/56 (16-pcs)	9.95
K17754B	Front Bumper Braces to Frame 57 (44-pcs)	11.95
K17757A	Front Upper Bumper Ends to Lower Bumper 57	8.45
K17763	17763 Spacer to Fender & Braces 57 (40-pcs)	5.75
K17787A	Rear Bumper Braces to Frame 55 (16-pcs)	10.90
K17787B	Rear Bumper Braces to Frame 56 (42-pcs)	15.55
K17787C	Rear Bumper Braces to Frame 57 (36-pcs)	11.90
K17906A	Rear Upper Bumpers to Lower and Center to Ends 56 (26-pcs)	7.55
K17906B	Rear Upper Bumper to Lower 57 (56-pcs)	13.30
K17996A	Bumperette Centers to Bumperette 55 (24-pcs)	3.90
K17996B	Bumperette Centers to Bumperette 56 (12-pcs)	2.20

### BUMPER BOLT KITS

17758A	Bumper Bolt Kit 55 Front & Rear 55/56 Concours Correct	69.95
17758B	Bumper Bolt Kit 57 Front & Rear 57 Concours Correct	29.95
17758C	Bumper Bolt Kit 57 Early with (4) Bolts in Front Concours Correct	39.95
17758D	Bumper Bolt Kit Front & Rear 55	24.95
17758E	Bumper Bolt Kit Front & Rear 56	24.95
17758F	Bumper Bolt Kit Front & Rear 57	12.95

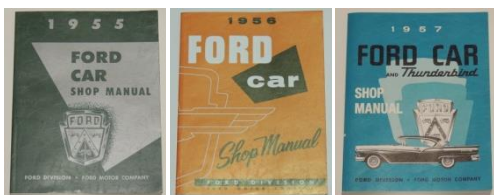
PRICES SUBJECT TO CHANGE WITHOUT NOTICE

Hill's Thunderbird Center  
29625 Bashan Road  
Racine, OH 45771

HILL'S THUNDERBIRD CENTER 866-949-1956

H  
I  
L  
L  
S  
  
T  
H  
U  
N  
D  
E  
R  
B  
I  
R  
D  
  
C  
E  
N  
T  
E  
R

LITERATURE



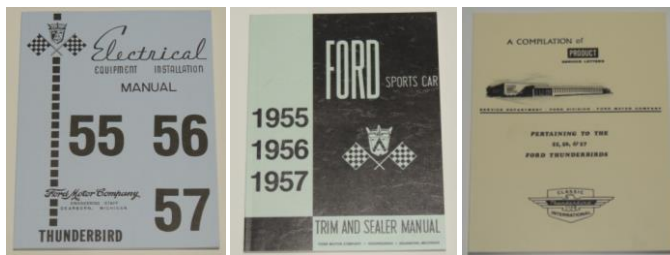
110-2                      110-3                      110-4

Shop Manuals

Reprints of the Original Shop Manuals; Covers  
Thunderbirds and Passenger Cars

110-2	Shop Manual 1955.....	29.95
110-3	Shop Manual 1956.....	29.95
110-4	Shop Manual 1957.....	29.95

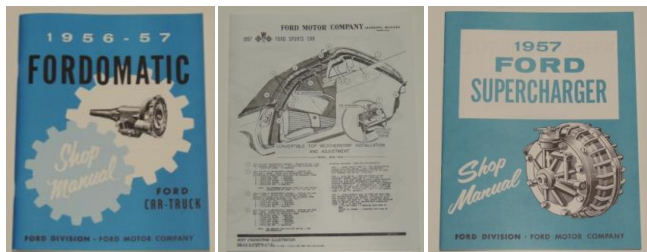
LITERATURE



110-25                      110-26-A                      110-27

110-25-5	Electrical Manual 55/57.....	21.00
110-26-5	Trim and Sealer Manual 55/56.....	21.00
110-26-7	Trim and Sealer Manual 57.....	21.00
110-27	Product Service Letters.....	18.00

H  
I  
L  
L  
S  
  
T  
H  
U  
N  
D  
E  
R  
B  
I  
R  
D  
  
C  
E  
N  
T  
E  
R



110-6                      110-13                      110-21

110-5	Transmission Manual 55.....	14.00
110-6	Transmission Manual 56/57.....	14.00
110-13	Soft-top Illustration.....	3.00
110-21	Supercharger Manual 57.....	14.00
110-31	Distributor Manual.....	14.00

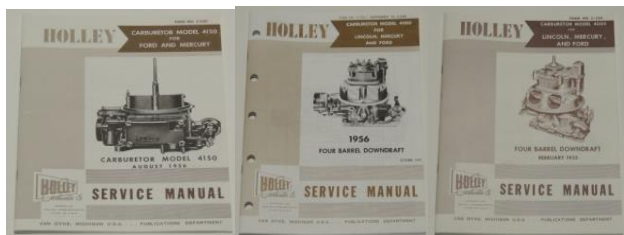


110-18                      110-19                      110-20

Owner's Manual Reprints

Glove Box Manual

110-18	Glove Box Owner's Manual 55.....	9.00
110-19	Glove Box Owner's Manual 56.....	9.00
110-20	Glove Box Owner's Manual 57.....	9.00



110-23                      110-29                      110-30

Carburetor Manual

110-29	Carburetor Manual 55.....	14.00
110-30	Carburetor Manual 56 Supplement.....	14.00
	Use Supplement with 55 Manual	
110-23	Carburetor Manual 57.....	14.00

Specification Manual

Books have Dimensional Drawings, Weights, and Other Details

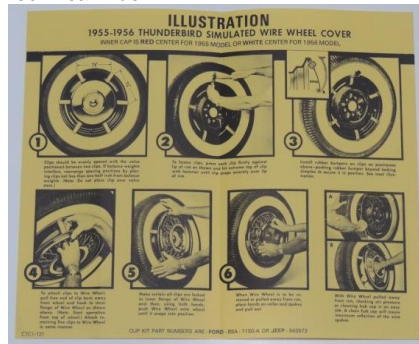
110-35	Specification Manual 55/56.....	19.95
110-33	Specification Manual 57.....	19.95
110-41-5	Electrical Wiring Schematic 1955.....	9.00
110-41-6	Electrical Wiring Schematic 1956.....	9.00
110-41-7	Electrical Wiring Schematic 1957.....	9.00
110-41-7A	Electrical Wiring Schematic 1957 With Dial-o-Matic Seats.....	9.00



Technical Index

All Technical Items in the Early Bird from 63-72  
Catalogued by Subject for Quick Referenc

INDEX	Technical Index.....	2.00
-------	----------------------	------



TLT2

110-23	Wire Wheel Cover Instructions.....	3.00
--------	------------------------------------	------

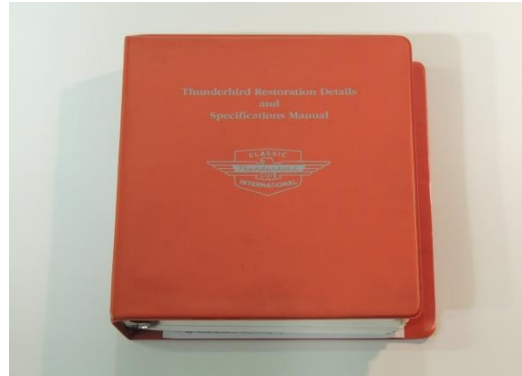


**LITERATURE**

**LITERATURE**



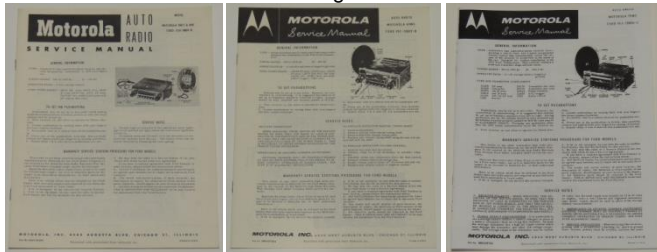
**FD4959**



**CTCI Restoration Details and Specifications Manual**

<b>TLT9</b>	Parts Illustrated Manual – 128 Pages Diagraph and Ford Part Numbers .....	11.00
<b>FD4959</b>	Ford Parts & Accessories Text And Illustrations Catalog 1949 to 1959.....	275.00

<b>110-58</b>	CTCI Restorations Details and Specifications Manual .....	40.00
<b>110-58A</b>	Addendum-A-1995 .....	15.00
<b>110-58B</b>	Addendum-B-1996 .....	15.00
<b>110-58C</b>	Addendum-C-1999 .....	15.00
<b>110-58D</b>	Addendum-D-2001 .....	15.00
<b>110-58E</b>	Addendum-E-2003 .....	15.00
<b>110-58F</b>	Addendum-F-2005 .....	15.00
<b>110-58G</b>	Addendum-G-2007 .....	15.00
<b>110-58H</b>	Addendum-H-2009 .....	15.00
<b>110-58I</b>	Addendum-I-2011 .....	15.00
<b>110-58J</b>	Addendum-J-2013 .....	15.00
<b>110-58FC</b>	Full Set Manual + Addendums A-J Plus (2) 3-Ring Notebooks .....	180.00



**RSM55 RSM56 RSM57**

**Radio Manual Motorola**

<b>RSM55</b>	Radio Manual 55.....	3.75
<b>RSM56</b>	Radio Manual 56.....	3.75
<b>RSM57</b>	Radio Manual 57.....	4.75

**Prices will change with each new Addendums that are added.**



**110-42 110-65**



**110-66 110-81**

**Sales Brochures**

**Full Color Reprints of Dealer Brochures 55/57 Thunderbirds**

<b>110-37</b>	Sales Brochure 55 Multi-Color .....	10.00
<b>110-65</b>	Sales Brochure 55 Multi-Color 12 Pages .....	15.00
<b>110-36</b>	Sales Brochure 56 Multi-Color .....	10.00
<b>110-66</b>	Sales Brochure 56 Multi-Color 16 Pages .....	17.50
<b>110-24</b>	Sales Brochure 57 4-Color.....	7.50
<b>110-42</b>	Sales Brochure 57 Multi-Color 16 Pages .....	15.50
<b>110-81</b>	2011 Tech Tips Booklet .....	8.00

**BORGESON POWER STEERING**

**Available on Special Order Only**  
**This Kit will allow you to install Power Steering on your T-Bird. If you already have P/S you also can use this to replace your old worn out system. Modifications will be needed to your Steering Column**

**Rack-n-Pinion Kits Available**  
**Tilt Steering Column Available**  
**Call us for more Information**  
**866-949-1956**

**LIZARD SKIN**

**Insulate with LizardSkin, Heat and Noise**  
**Are not a Problem**

**Call us today for more Information**



<b>SML</b>	Seat Motor Label .....	2.00
------------	------------------------	------

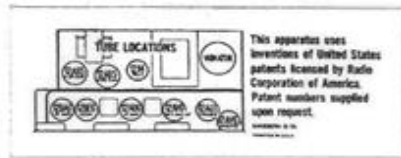
**H  
I  
L  
L  
S  
  
T  
H  
U  
N  
D  
E  
R  
B  
I  
R  
D  
  
C  
E  
N  
T  
E  
R**

DECALS

AC556	Air Cleaner 55/56.....	2.10
AC57	Air Cleaner 57.....	1.25
AS557	Air Scoop Winter Plate.....	1.15
AT556	Automatic Transmission.....	1.15
CL567	Coil Decal 56/57.....	1.25
DL56	Door Latch on Body 56.....	2.60
DP557	Data Plate 55/56 Early 57....	1.25
DP57L	Data Plate Late 57.....	1.25
K800	Data Plate Rivets 2 Pieces....	4.15
DS55	Driveshaft 55.....	9.95
DS56FS	Driveshaft 56 F/M or S/T.....	9.95
DS56OD	Driveshaft 56 O/D.....	9.95
DS57FS	Driveshaft 57 F/M or S/T.....	9.95
DS57OD	Driveshaft 57 O/D.....	9.95
FT557	Folding Top Info.....	1.15
GN56	Generator Decal 56.....	1.25
GN57	Generator Decal 57.....	1.25
HD1	Heater Decal.....	1.10
JD1	Jacking Inst. 55/56.....	1.35
JD2	Jacking Inst. 57.....	1.35
OF557	Oil Filter Can Decal.....	1.30
ST567	Starter Decal 56/57.....	1.25
TP556	Tire Pressure Decal 55/56....	1.15
TP57	Tire Pressure Decal 57.....	1.15
VR55	Voltage Regulator 55.....	1.25
VR567	Voltage Regulator 56/57.....	1.25
VR57	Voltage Reg. 57, Yellow.....	1.25
TDF71	Decal Set 292	
	Engine Steel Rocker Covers.....	8.75
TDF72	Decal Set 312	
	Engine Steel Rocker Covers.....	8.95
TDF93	Lifeguard Decal	
	On Door 57.....	2.35
TDF229	Engine	
	Foundry Tag Decal.....	4.00
GP1	Generator ID Plate	
	1955 with Attaching Parts.....	4.15
SP1	Starter ID Plate 1955	
	With Attaching Parts.....	4.15
TJK55	Jewel Kit 55/56.....	5.25
TJK57E	Jewel Kit Early 57.....	7.35
TJK57	Jewel Kit 57.....	7.35
CDS55	Complete Decal Set 55.....	22.00
CDS56	Complete Decal Set 56.....	21.00
CDS57	Complete Decal Set 57.....	21.00
16A	Inspection Stamp Set 55....	9.95
16B	Inspection Stamp Set 56....	9.95
16C	Inspection Stamp Set 57....	9.95
18B	Radio Tube Location 56.....	1.50
18C	Radio Tube Location	
	57 2 Pieces.....	2.50



DL56



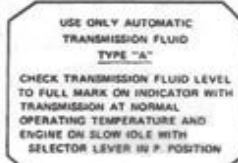
18B-18C



AC556



AC57



AT556



TP556 - TP57



DP557



DP57L



AS557



CL567



TDF71



ST567



TDF72



GN56

GN57



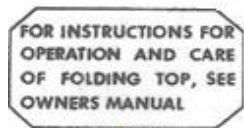
HD1



TDF93



TJK55 - TJK57 - TJK57E



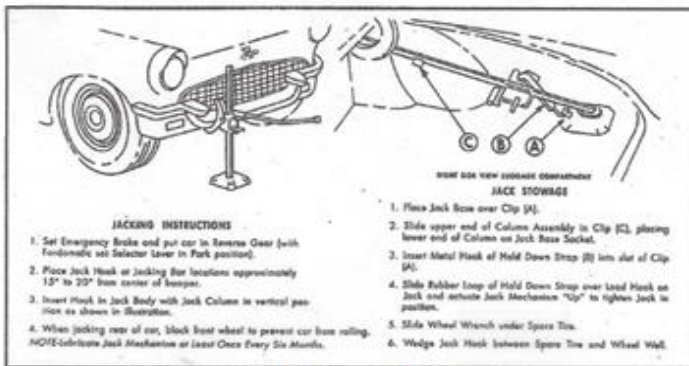
FT557



VR55-VR556-VR57



16A - 16B - 16C



JD1 - JD2

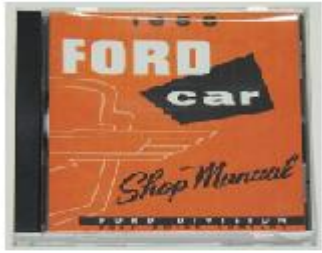
Can't Find What Your Looking For-Give us a Call

HILL'S THUNDERBIRD CENTER 866-949-1956

HILL'S THUNDERBIRD CENTER



**SHOP MANUALS ON CD-ROM**



Electronic version of original shop manuals, in popular PDF format; contains complete service information, diagnostics, troubleshooting, etc. Print only the pages you need, search, and zoom.

SM-55CD	1955 Shop Manual on CD-ROM .....	21.95
SM-56CD	1956 Shop Manual on CD-ROM .....	21.95
SM-57CD	1957 Shop Manual on CD-ROM .....	21.95

**DRIVESHAFT DECALS**

Vinyl Transfer 1" High Yellow Stencil Numbers



DS55	Driveshaft Decal 55 All.....	9.95
DS56FS	Driveshaft Decal 56 with FM or ST.....	9.95
DS56OD	Driveshaft Decal 56 with OD.....	9.95
DS57FS	Driveshaft Decal 57 with FM or ST.....	9.95
DS57OD	Driveshaft Decal 57 with OD.....	9.95

**BATTERY MASTER SWITCH**



10654-BD

Disconnects all electrical circuits with a simple turn of the knob. Attaches to battery in minutes. Suitable for 6 or 12 volt system. Eliminates battery drain. Prevents electrical fires. Provides emergency cut-off.

10654-BD	.....	9.95
----------	-------	------

**TOTE BAGS**

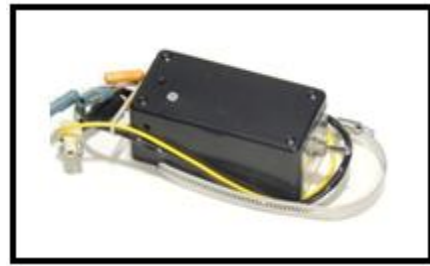


PART#	COLOR	YEAR	PART#	COLOR	YEAR
ITB55BK	BK/WT	55/56	ITB57BK	BK/WT	57
ITB55GN	GN/WT	55	ITB57BU	BU/BU	57
ITB55RD	RD/WT	55	ITB57BZ	BZ	57
ITB55YL	YL/BK	55	ITB57GN	GN/GN	57
ITB56BS	BS/WT	56	ITB57RD	RD	57
ITB56GN	GN/WT	56	ITB57WT	WT	57
ITB56PK	PK/WT	56			
ITB56RD	RD/WT	56			

**32.50 Each**

BK-Black BS-Buckskin BU-Blue BZ-Bronze GN-Green  
PK-Peacock RD-Red WT-White YL-Yellow

**4-WAY HAZARD LIGHTS**

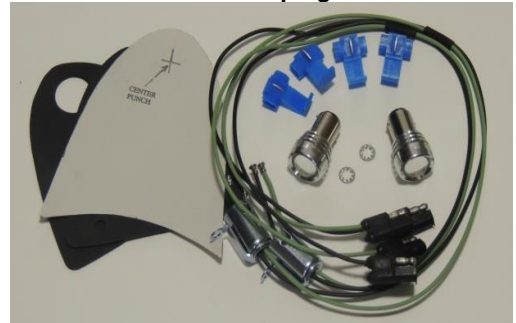


13350-HK	.....	140.00
----------	-------	--------

**New Item – You can now have the safety of 4-Way Flashers on your Thunderbird. Easy to install, no cutting of any wires. Now your car can be more visible during a breakdown. But... we hope this never happens.**

**EYE-POPPING TAILLIGHTS-1956**

Mounts in your rear backdrop light housing. Two High Intensity Lamps mounted in sockets With wire and plugs



15515-L	Eye Popping Tail Lights 1956.....	129.00
---------	-----------------------------------	--------

**FLOOR PAN HEATSHIELD SET**



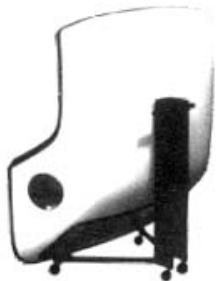
TAC-17	4 Pieces .....	38.90
--------	----------------	-------

**TEMPERATURE INDICATOR**

TRUTEMP	Maximum temperature indicator shows maximum Temperature ever reached non-reversible.....	5.25
TRUTEMP2	Current temperature indicator shows Current temperature.....	5.50

H  
I  
L  
L  
  
T  
H  
U  
N  
D  
E  
R  
B  
I  
R  
D  
  
C  
E  
N  
T  
E  
R

**HARDTOP GLIDER**



With the hardtop glider, you can easily move your hardtop to and from storage. Rolls smoothly on ball bearing swivel casters with soft rubber wheels. Disassembles easily to fit n the trunk of your T-Bird. Constructed of 16 gauge sheet and 14 gauge tubular steel, yet weighs less than 17 pounds. Complete with foam handle grips and protective padding installed.

HTGLIDER ..... 160.00

**HARD TOP HOIST KIT**



Hard Top Hoist Kit complete with instructions. Extra wide webbing minimizes pressure on weather strips.

HTHOIST ..... 37.95

**CUSTOM VINYL & PLASTIC DYES**

WE CANNOT SHIP-PAINTS, DYES & ADHESIVES  
NEXT DAY AIR OR OUT OF THE 48 STATES



**Custom Color Dyes and Preparation**

Materials let you safely re-color your Seats, Dash Pad or Door Panels. Instructions Included with Cans.

**1955-DYES**

TVD55BK Black ..... 17.80  
 TVD55GN Green ..... 17.80  
 TVD55RD Red..... 17.80  
 TVD55TQ Turquoise ..... 17.80  
 TVD55WT White ..... 17.80  
 TVD55YL Yellow..... 17.80

**1956-DYES**

TVD56BS Buckskin ..... 17.80  
 TVD56GN Green ..... 17.80  
 TVD56PK Peacock..... 17.80  
 TVD56RD Red..... 17.80

**DYES / ADHESIVE / PAINT / ZDDP**

**1957-DYES**

TVD57BK Black ..... 17.80  
 TVD57BZ Bronze..... 17.80  
 TVD57DKBU Dresden Blue ..... 17.80  
 TVD57DKGN Cumberland Green..... 17.80  
 TVD57LTBU Star mist Blue..... 17.80  
 TVD57LTGN Willow Green..... 17.80  
 TVD57RD Red ..... 17.80  
 TVD57WT White..... 17.80

**PREP**

TVDPREP Vinyl Prep..... 12.35



**ADHESIVES**

08001 Yellow Weather Strip Adhesive 5oz Tube ..... 10.95  
 08008 Black Weather Strip Adhesive 5oz Tube..... 12.95  
 08088 General Trim Adhesive 18.1oz Spray ..... 19.95



PAINT



ZDDP

**ZDDP OIL ADDITIVE**

Add ZDDP Oil Additive to Restore ZDDP Specs To SF Levels. Add entire contents (4-oz) to a 4 or 5 Quart Oil Change.

ZDDP Oil Additive..... 10.00

**PAINT**

19000-A Argent Silver Spray Paint 12oz Can ..... 9.95  
 19000-B Engine Paint Ford Red 12oz Can ..... 9.95  
 19000-C High Temperature Natural Cast Iron Color For Exhaust Manifolds 12oz Can..... 12.95  
 19000-D Gloss Black Enamel 12oz Can ..... 9.95  
 19000-E Cast Iron Gray Natural Color 12oz..... 9.95  
 19000-F Gray Spray Paint for Natural Metal Look 11oz..... 10.95  
 19000-G Red/Orange for Instrument Needles, Small Bottle 3oz ..... 3.00  
 19000-H Dark Green for Clips & Fasteners 3.5oz Can..... 7.00  
 19000-I Dark Green Small Bottle..... 3.95  
 19000-J Copper Color 3.5oz Spray Can..... 6.95  
 19000-K Copper Color Small Bottle ..... 3.00  
 19000-L Brass Color Small Bottle..... 3.95  
 19000-M Texture for Lower Dash ..... 16.95  
 19000-R Red for Aluminum Valve Covers..... 3.00  
 19000-T Turquoise for Aluminum Valve Covers..... 3.00  
 19000-W Black Wrinkle Paint for Heater Case..... 10.95

H  
I  
L  
L  
S  
T  
H  
U  
N  
D  
E  
R  
B  
I  
R  
D  
C  
E  
N  
T  
E  
R

**THUNDERBIRD SPECIAL DECAL**



TSD Valve Cover Decal 20" X 4-3/4" ..... 10.00

**EASTWOOD PAINTS**



- 10022-Z Silver Cadmium Plating Look  
12oz Spray ..... 17.99
- 10032-Z Spray Gray-Cast Iron Look  
12oz Spray ..... 17.99
- 10036-Z Detail Gray-Die Cast 7 Stamp Steel Look  
12oz Spray ..... 17.99
- 10109-Z Alumna Blast-Fresh Cast Aluminum Look  
12oz Spray ..... 17.99
- 10280-Z Clear Zinc Dichromate (blue/gray) Plating  
12oz Spray ..... 15.99
- 10281-Z Zinc Phosphate-Charcoal Gray  
12oz Spray ..... 15.99
- 10331-Z Gold Cadmium Kit – Duplicates the Look  
Kit Includes 1-Gold Tint/Green Kit/Red Kit  
Gold Cadmium Kit..... 52.99

**CARPET FLOOR MATS**

Quality cut pile carpet with a bonded gripper backing, sewed edge binding and a beautiful embroidered logo. Not for a 56 red. Thunderbird logo is red, turquoise, and two shades of silver with Thunderbird logo



- LOGOMAT – Black..... NLA
- LOGOMATRD – Dark Red ..... 59.95
- Without Thunderbird Logo
- TCM55BK Black 55/57..... 49.95
- TCM55GN Green 55 ..... 49.95
- TCM55RD Red 55..... 49.95
- TCM56BS Buckskin 56 ..... 49.95
- TCM56PK Peacock 56..... 49.95
- TCM56RD Red 56..... 49.95
- TCM57BU Blue 57 ..... 49.95
- TCM57BZ Bronze 57 ..... 49.95
- TCM57GN Green 57 ..... 49.95
- TCM57RD Red 57..... 49.95

**RUBBER FLOOR MATS**

All rubber floor mats with gray T-Bird emblem and Script Thunderbird with Thunderbird logo.



- ARFMBK Black ..... 59.95
- ARFMRD Red ..... 59.95
- MAT580-F-Blue..... 59.95
- MAT580-F-Willow/Green 57 ..... 59.95
- MAT580-F-Aqua/Peacock 56 ..... 59.95

**TOP LOCK**



As the value of your tops become higher and higher, the possibility of theft becomes greater. Secure your top by replacing your hold down pin (50590) with the special extended guide pin and lock assembly. Use on either soft top or hard top. Each kit includes extended pin, lock, and keys.

- TLKA 1955 ..... 27.55
- TLKB 1956 before 5/1/56 ..... 27.55
- TLKC 1956/57 from 5/1/56 ..... 27.55

**LICENSE FRAMES**



- 17A385-A 55 Frame, Each..... Call
- 17A385-B 56 Frame, Each..... Call
- 17A385-C 57 Frame, Each..... Call

**KEY KNOB**



The Key is like the other dash knobs but it has been Modified to hold an Ignition Key Blank.

- 22053-K ..... 17.50

H  
I  
L  
L  
S  
  
T  
H  
U  
N  
D  
E  
R  
B  
I  
R  
D  
  
C  
E  
N  
T  
E  
R

**THUNDERBIRD CONSOLE**

Padded Upholstered Console serves as an Armrest And has a Storage Compartment with two Large Drink Holders. The colors do not exactly match the Originals but are very close.



CC55RED	55 Red.....	159.00
CC55TUR	55 Dark Turquoise.....	159.00
CC56PEA	56 Peacock.....	159.00
CC56RED	56 Red.....	159.00
CC5556WHT	55 & 56 White.....	159.00
CC5557BLK	55/57 Black.....	159.00
CC57BLU	57 Dresden Blue.....	159.00
CC57GRN	57 Green.....	159.00
CC57RED	57 Red.....	159.00
CC57WHT	57 White.....	159.00

**T-BIRD CUP HOLDER**



This Cup Holder was made to plug directly into the Ash Tray. It holds two regular sized drinks (pop cans). The colors do not exactly match the originals, but come close

CH-5556-WHT	55/56 White.....	48.95
CH-55-TUR	55 Turquoise.....	48.95
CH-56-RED	56 Red.....	48.95
CH-56-PEA	56 Peacock.....	48.95
CH-5557-BLK	55/57 Black.....	48.95
CH-57-GRN	57 Green.....	48.95
CH-57-WHT	57 White.....	48.95
CH-5557-RED	55/57 Red.....	48.95
CH-5557-BLU	57 Blue.....	48.95

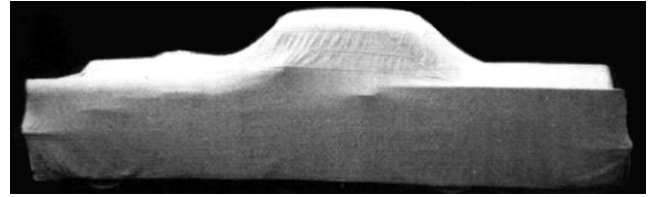
**KEY BLANKS**



Original Style Key with the Ford Logo. Square Key used in Ignition and Door Round Key used at Glove Box and Trunk

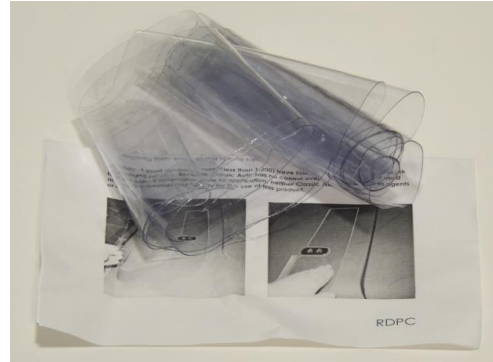
22053	Key Blank Ignition and Door.....	2.00
43562	Key Blank Glove Box and Trunk.....	2.00

**CAR COVERS**  
Cotton Flannel Lined



C1263GF	Car Cover 55/56 without Continental Kit.....	195.00
C3GF	Car Cover 55/56 with Continental Kit.....	195.00
C602GF	Car Cover 57.....	195.00

**REAR DECK PROTECTOR**



Rear Deck Protector – A Heavy Duty cut vinyl film made to protect The surface area on the rear deck surface where the Top weather strip makes contact.

RDPC	Rear Deck Protector.....	23.65
------	--------------------------	-------

**FLOOR PAN DEADENER SET**



Floor Pan Deadener Set – 4 Pieces.....	36.95
--	-------

**TIRES**

Diamond Back Radial		
1508-DA	P205/75R15 2-1/2" Whitewall.....	229.00
1508-DB	P205/75R14 2-1/2" Whitewall.....	229.00
Firestone Bias Ply		
1508-FA	6:70 X 15 2-11/16" Whitewall.....	189.00
1508-FB	7:50 X 14 2-1/4" Whitewall.....	189.00
Goodyear Bias Ply		
1508-GA	6:70 X 15 2-11/16" Whitewall.....	220.00
1508-GB	7:50 X 14 2-1/4" Whitewall.....	190.00
Goodyear Radial		
1508-GC	P205/75R15 2-3/4" Whitewall.....	290.00
1508-GD	P205/75R14 2-3/4" Whitewall.....	259.00

Tire Prices are Subject to Change without Notice

H  
I  
L  
L  
S  
  
T  
H  
U  
N  
D  
E  
R  
B  
I  
R  
D  
  
C  
E  
N  
T  
E  
R

**TOOLS**



**1131-T**                      **1132-T**

1131-T Front Grease Cap Tool, Installs (1131) ..... 12.00  
 1132-T Hubcap Remover Tool..... 11.00



**2162-T**                      **3049-T**

2162-T Master Cylinder Cap Wrench..... 6.00  
 3049-T Ball Joint Remover Tool..... 16.00



**3511-T**                      **3600-T**

3511-T Steering Column Collar Wrench..... 45.00  
 3600-T Steering Wheel Puller..... 32.00



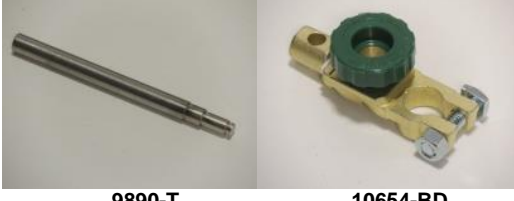
**6312-T**                      **6316-T**

6312-T Damper and Pulley Remover ..... 45.00  
 6316-T Damper Install Tool..... 42.00



**7210-L**                      **9B572-T**

7210-L Shifter Lock Automatic..... 30.00  
 9B572-T Carburetor Socket Control Valve Remover ..... 12.95



**9890-T**                      **10654-BD**

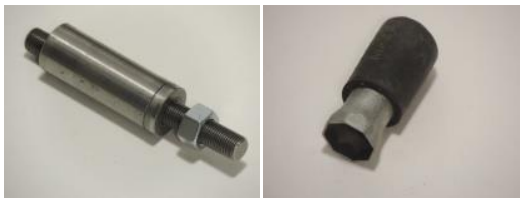
9890-T Choke Tube Punch ..... 12.00  
 10654-BD Battery Disconnect..... 10.00

**TOOLS**



**10853-T**                      **10911-TA/TB**

10853-T Bezel Nut Tool..... 7.00  
 10911-TA Temperature Bushing Puller 55/56 ..... 16.00  
 10911-TB Temperature Bushing Puller 57 ..... 16.00



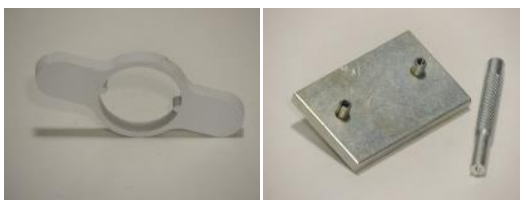
**12120-T**                      **17513-T**

12120-T Bushing Remover Tool Distributor Shaft..... 30.00  
 17513-T Wiper Nut Socket ..... 10.00



**17696-T**                      **18813-T**

17696-T Outside Mirror Wrench ..... 10.00  
 18813-T Antenna Nut Wrench ..... 10.00



**18813-TP**                      **21546-T**

18813-TP Antenna Nut Wrench – Plastic..... 7.00  
 21546-T Rivet Tool for (21546) Pillar Channel ..... 16.00



**22601-T**                      **16916-T**

22601-T Door and Window Handle Remover Tool..... 8.00



**16916-T**

16916-T Emergency Hood Release Remover Tool..... 12.00

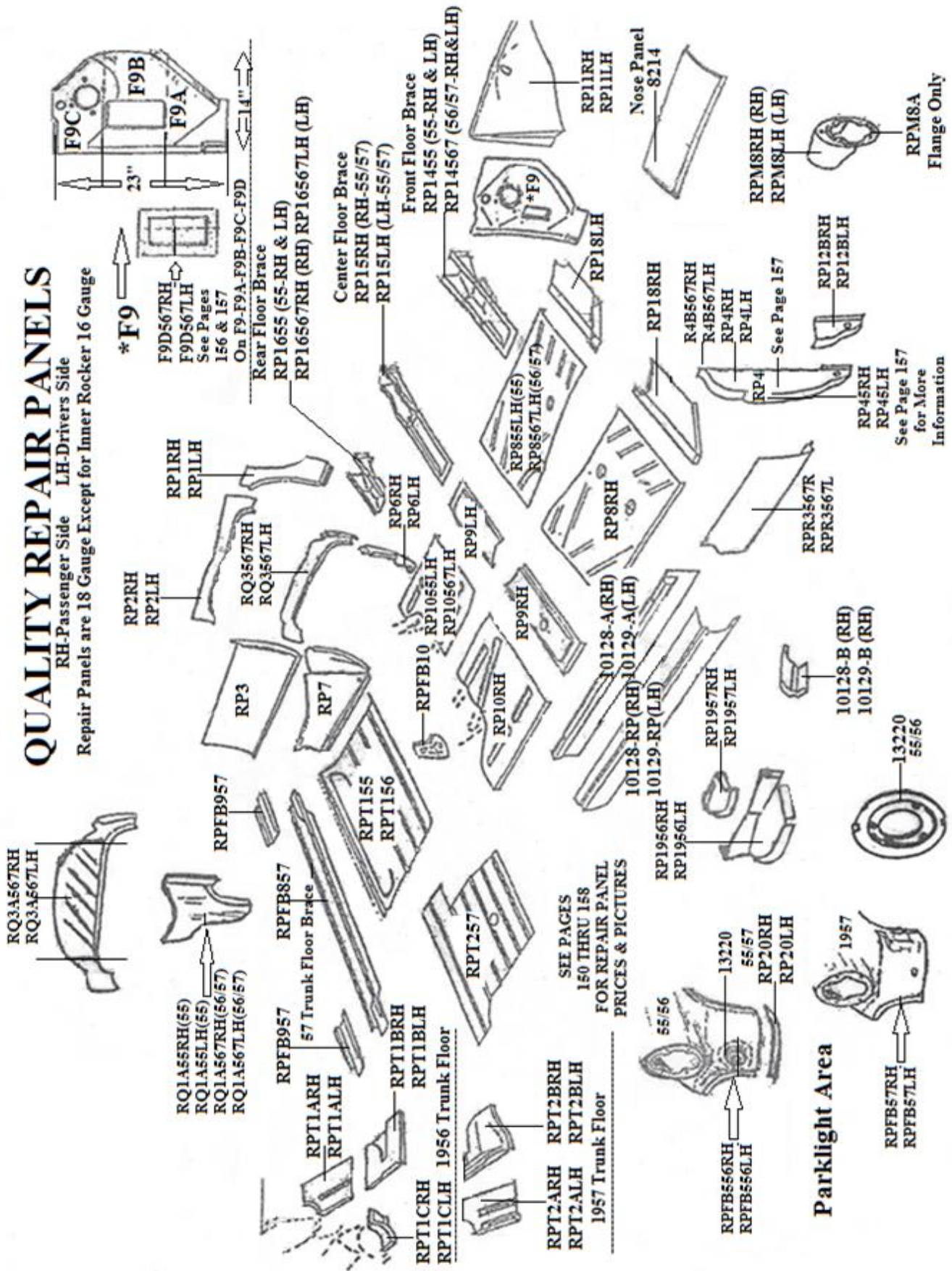
H  
I  
L  
L  
S  
  
T  
H  
U  
N  
D  
E  
R  
B  
I  
R  
D  
  
C  
E  
N  
T  
E  
R



HILL'S THUNDERBIRD CENTER

# QUALITY REPAIR PANELS

RH-Passenger Side LH-Drivers Side  
Repair Panels are 18 Gauge Except for Inner Rocker 16 Gauge



## REPAIR PANELS

All Repair Panels are made out of 18-Gauge Metal  
 Except for Inner Rockers  
**NEW SHEET METAL COMING SOON-PLEASE CALL**  
 Some items are priced some are not please call for more info.  
 When prices are available they will be updated on our web-site.



RPF556LH-Shown RPF556RH-Shown

RPFA556RH Front Park Light Repair Panel 55/56 RH ..... Call  
 RPF556LH Front Park Light Repair Panel 55/56 LH ..... Call

RPF556RH Front Park Light Repair Panel 55/56 RH  
 With Grille Opening Edge ..... Call  
 RPF556LH Front Park Light Repair Panel 55/56 LH  
 With Grille Opening Edge ..... Call



RPF57RH Shown

RPFA57RH Front Parking Light Repair RH 57 ..... Call  
 RPF57LH Front Parking Light Repair LH 57 ..... Call  
 RPF57RH Front Parking Light Repair RH 57  
 With Grille Edge Opening ..... Call  
 RPF57LH Front Parking Light Repair LH 57  
 With Grille Edge Opening ..... Call



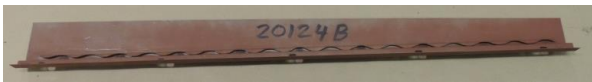
8104-R 8105-R

8104-R Deflector Radiator Side Air Metal RH ..... 299.00  
 8105-R Deflector Radiator Side Air Metal LH ..... 299.00  
 Made in the USA



RP20LH RP20RH

RP20LH Flange Lower Front Fender LH ..... 25.00  
 RP20RH Flange Lower Front Fender RH ..... 25.00



20124-B

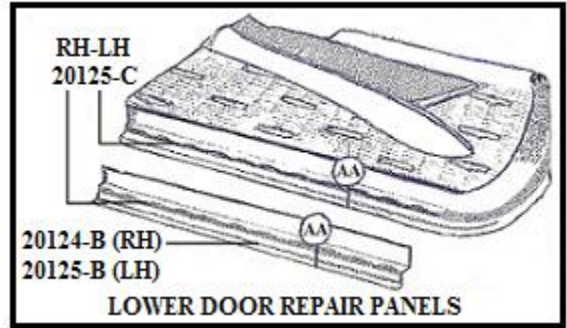
20124B Repair Panel Door Bottom with 20125-C RH ..... 52.00



20125-B

20125B Repair Panel Door Bottom with 20125-C LH ..... 52.00

## REPAIR PANELS



20125-C

20125-C Weather-strip Retainer Bottom of Door ..... 21.00



21032

21032 Retainer Door Panel at bottom 57 ..... 14.90



RPF10

RP21

RPF10 Reinforcement Behind Seat ..... 60.00  
 RP21 Under Floor Plate Repair Panel ..... 20.00

1955 T-Birds used a One Hole Hinge Plate  
 1956/1957 Used a Two Hole Hinge Plate



RP22LH

RP22RH

RP22LH Hook Bracket Gas Tank Strap 57 LH ..... 15.00  
 RP22RH Hook Bracket Gas Tank Strap 57 RH ..... 15.00



H  
I  
L  
L  
S  
  
T  
H  
U  
N  
D  
E  
R  
B  
I  
R  
D  
  
C  
E  
N  
T  
E  
R

REPAIR PANELS



RP1355



RP13567-B

RP1355 Nut Plate Door Hinge Upper and Lower 55 ..... 30.95  
 RP13567B Nut Plate Door Hinge Lower 56/57 ..... 36.75

REPAIR PANELS



RP1957RH



RP1957LH

RP1957RH Filler Rear Quarter to Trunk 57 RH ..... 25.00  
 RP1957LH Filler Rear Quarter to Trunk 57 LH ..... 25.00

H  
I  
L  
L  
S  
  
T  
H  
U  
N  
D  
E  
R  
B  
I  
R  
D  
  
C  
E  
N  
T  
E  
R



RP13567-LH



RP13567-RH

RP13567LH Nut Plate Door Hinge Upper LH 56/57 ..... 36.75  
 RP13567RH Nut Plate Door Hinge Upper RH 56/57 ..... 36.75



RP13A



11215-G

RP13A Nut Plate Hinge Side Inside Door ..... 20.00  
 11215-G Reinforcement Plate with Studs for Swing bar .... 26.00



RPM8RH



RPM8LH

RPM8RH Headlamp Bucket Repair Panel RH ..... 149.90  
 RPM8LH Headlamp Bucket Repair Panel LH ..... 149.90  
 Repair Panel has 6" of Material going back along the top of the Fender and wrapping about halfway down sides of the Headlamp Bucket mounting ring.



RPM8A



11215F-RH

RPM8A Flat Repair Panel for Headlamp Bucket ..... 52.90  
 Formerly Supplied by Custom Aircraft  
 11215FRH Forward Trunk Body Mount Panel RH ..... 45.00  
 11215FLH Forward Trunk Body Mount Panel LH ..... 45.00



RP1956LH



RP1956RH

RP1956LH Wheelhouse Extension Shelf 56 LH ..... 49.00  
 RP1956RH Wheelhouse Extension Shelf 56 RH ..... 49.00



10128-A

10128-A Inner Rocker Panel Repair RH 16 Gauge ..... 40.00



10129-A

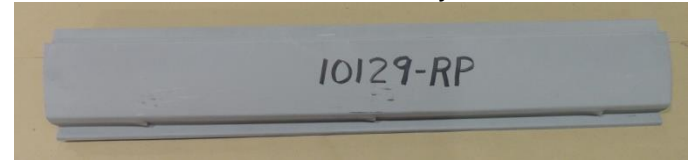
10129-A Inner Rocker Panel Repair LH 16 Gauge ..... 40.00

The inner rocker panel replaces the area inside the outer rocker from the rear wheel well opening to the bottom of the door post. This panel welds to the floor pan and the floor braces.



10128-RP

10128-RP Outer Rocker Panel RH 36" ..... 65.00  
 \*B5S4010128A Outer Rocker Panel RH Ford Original ..... 350.00  
 \*Limited Availability



10129-RP

10129-RP Outer Rocker Panel LH 36" ..... 65.00  
 B5S4010129A Outer Rocker Panel LH Ford Original ..... Call

The outer rocker repair runs from the front fender to the rear quarter. This panel has the correct curve at the outside and now includes the original type drain holes.



10129-B

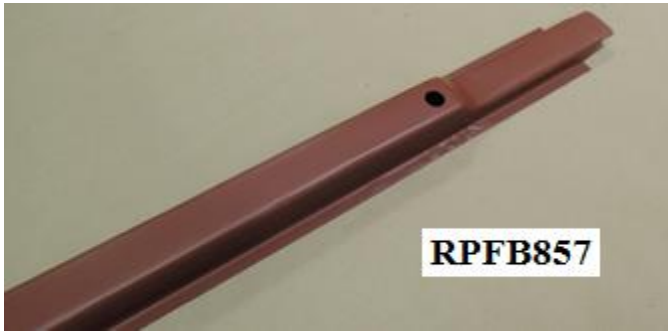


10128-B

10129-B Rocker Panel Front Extension LH ..... 25.00  
 10128-B Rocker Panel Front Extension RH ..... 25.00



**REPAIR PANELS**



RPFB857 Trunk Floor Brace 1957 ..... 165.00



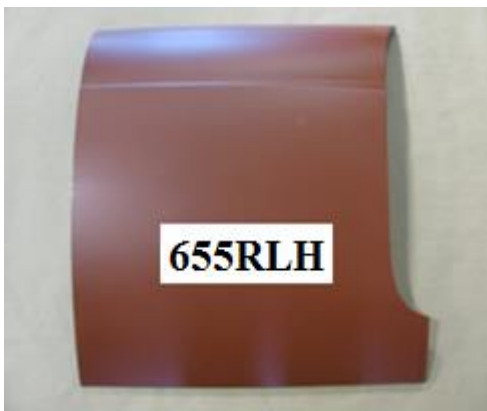
RPFB957 Trunk Floor Brace 9" Long 57 ..... 30.00



5557RH Door Skin Lower 55/57 RH ..... 225.00



5557LH Door Skin Lower LH 55/57 ..... 225.00



655RRH Front Fender Panel Section RH 55 ..... 250.00  
655RLH Front Fender Panel Section LH 55 ..... 250.00

**REPAIR PANELS**



6567RRH Front Fender Panel Section RH 56/57 ..... 300.00  
6567RLH Front Fender Panel Section LH 56/57 ..... 300.00

The front fender panel section repairs the front fender at the rear approximately 22 1/2" forward from the door. It goes to the top crease and includes the lip where it meets the door.



RP11LH Front Fender Apron LH ..... 140.00

This panel repairs the front fender apron area of the left side next to the battery box. On the right side, it repairs the front fender apron next to the heater duct.



RP11RH Front Fender Apron RH ..... 140.00  
Repairs Front Fender Apron at Heater Duct



RPR3567RH Front Fender Bottom Rear RH (Coming Soon) . Call  
Has Flange at Door Opening and Mounting Plate for the Fender  
Bracket 28"L X 10-1/4"H  
RPR3567LH Front Fender Bottom Rear LH (Coming Soon) . Call

**H  
I  
L  
L  
S  
  
T  
H  
U  
N  
D  
E  
R  
B  
I  
R  
D  
  
C  
E  
N  
T  
E  
R**

REPAIR PANELS



- RP1455 Front Floor Brace RH-LH 55..... 74.00
- RP14567 Front Floor Brace RH-LH 56/57 ..... 72.50

REPAIR PANELS



- RP18RH Firewall Floor RH 55/57 ..... Call

H  
I  
L  
L  
  
T  
H  
U  
N  
D  
E  
R  
B  
I  
R  
D  
  
C  
E  
N  
T  
E  
R



- RP15RH Center Floor Brace RH 55/57..... 75.30
- RP15LH Center Floor Brace LH 55/57..... 75.30



- RP855LH Front Floor Board LH 55 ..... Call

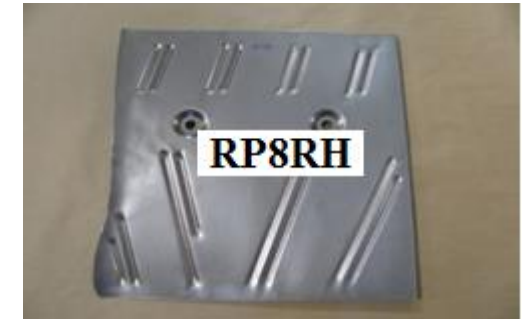


- RP1655 Rear Floor Brace RH-LH 55..... 60.50
- RP16567RH Rear Floor Brace RH 56/57..... 63.20
- RP16567LH Rear Floor Brace LH 56/57..... 63.20

These floor braces weld to the inner rocker and the floor pan.  
They are stamped from one piece.



- RP8567LH Front Floor Board LH 56/57 ..... Call



- RP8RH Front Floor Board RH 55/57 ..... Call



- RP18LH Firewall Section Toe Board LH 55/57..... Call



**HILL'S THUNDERBIRD CENTER GIFT CERTIFICATES AVAILABLE!**



**REPAIR PANELS**

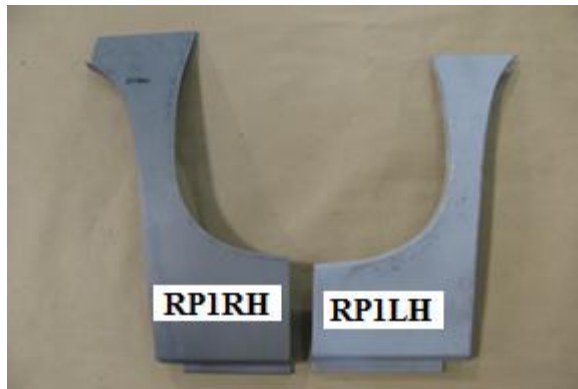


- RP9RH Center Floor Board RH 55/57... Call
- RP9LH Center Floor Board LH 55/57... Call

The center floor section repairs the floor pan between the front and rear floor repairs just under the seat. This panel measures 6 inches x 23 inches and is stamped from 18 gauge steel.



- RP1055LH Rear Floor Board LH 55... Call
- RP10567LH Rear Floor Board LH 56/57... Call
- RP10RH Rear Floor Board RH 55/57... Call



- RP1RH Dog Leg Repair RH 55/57 ..... 60.00
- RP1LH Dog Leg Repair LH 55/57 ..... 60.00

The dog leg repair replaces the area of the quarter from the outer rocker to the wheel opening. This panel includes the lip at the wheel opening and the lip at the door jamb.

**COMING SOON TO OUR WEBSITE**  
[www.hillsresto.com](http://www.hillsresto.com)  
 Online Catalog Ordering  
 Also you can find our catalog online

**REPAIR PANELS**



- RP655LH Inner Dog Leg 55 LH..... Call
- RP655RH Inner Dog Leg 55 RH ..... Call
- RP6567LH Inner Dog Leg 56/57 LH..... Call
- RP6567RH Inner Dog Leg 56/57 RH ..... Call



- RQ1A55RH Wheelhouse Repair Lower Front 55 RH..... Call
- RQ1A55LH Wheelhouse Repair Lower Front 55 LH..... Call
- RQ1A567L Wheelhouse Repair Lower Front 56/57 LH ..... Call
- RQ1A567R Wheelhouse Repair Lower Front 56/57 RH ..... Call



- RQ3567LH Inner Over Wheel Well LH 55/57 ..... Call
- RQ3567RH Inner Over Wheel Well RH 55/57 ..... Call



- RQ3A567R Partial Inner over Wheel Well 55/57 ..... Call
- RQ3A567L Partial Inner over Wheel Well 55/57 ..... Call



- RP2RH Wheelhouse Top Cap RH Outer 55/57 ..... Call
- RP2LH Wheelhouse Top Cap LH Outer 55/57 ..... Call

N.O.S. and Used Parts in Stock  
 Can't Find what you're looking for give us a Call  
 Today and see if we can help you.  
 866-949-1956



REPAIR PANELS



- 1557RH Quarter Panel Repair RH 55/57 ..... 250.00
- 1557LH Quarter Panel Repair LH 55/57 ..... 250.00

The lower quarter repair replaces the area one inch below the feature line. This panel includes the correct lip at the wheel opening. It also meets the outer rocker and takes the first bend into the door jamb. This panel also replaces the bottom rear of the quarter which can be trimmed for '55, '56, or '57 models.



- RP755LH Rear Wheelhouse Extension Inner LH 55 ..... Call
- RP755RH Rear Wheelhouse Extension Inner RH 55 ..... Call



- RP756LH Rear Wheelhouse Extension Inner LH 56 ..... Call
- RP756RH Rear Wheelhouse Extension Inner RH 56 ..... Call



- RQ557L Rear Wheelhouse Extension Inner LH 57 ..... Call
- RQ557R Rear Wheelhouse Extension Inner RH 57 ..... Call

The rear wheelhouse extension replaces the area of the wheelhouse behind the rear wheel. This panel meets the rear lip of the quarter and extends to the rear of the quarter. This panel also welds from the bottom rear of the quarter to the trunk floor.

REPAIR PANELS

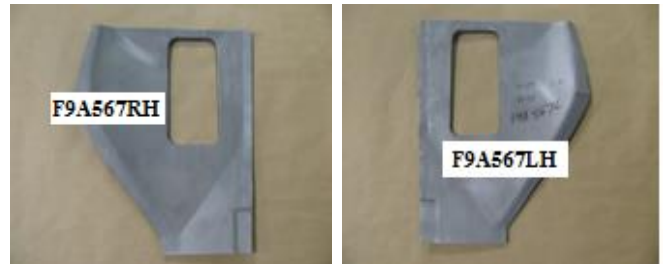


- RP355LH Quarter Panel Bottom Rear LH 55 ..... Call
- RP355RH Quarter Panel Bottom Rear RH 55 ..... Call
- RP356LH Quarter Panel Bottom Rear LH 56 ..... Call
- RP356RH Quarter Panel Bottom Rear RH 56 ..... Call
- RP357LH Quarter Panel Bottom Rear LH 57 ..... Call
- RP357RH Quarter Panel Bottom Rear RH 57 ..... Call

The quarter panel bottom rear replaces the area behind the rear wheel. This panel includes the lip at the rear of the wheel opening.



- F9A55RH Kick Panel Repair 55 RH ..... Call
- F9A55LH Kick Panel Repair 55 LH ..... Call



- F9A567RH Kick Panel Repair 56/57 RH ..... Call
- F9A567LH Kick Panel Repair 56/57 LH ..... Call

14" W X 16" H



- F9B55RH Kick Panel Repair 55 RH ..... Call
- F9B55LH Kick Panel Repair 55 LH ..... Call
- F9B567RH Kick Panel Repair 56/57 ..... Call
- F9B567LH Kick Panel Repair 56/57 ..... Call

14" W X 23" H

H  
I  
L  
L  
S  
  
T  
H  
U  
N  
D  
E  
R  
B  
I  
R  
D  
  
C  
E  
N  
T  
E  
R

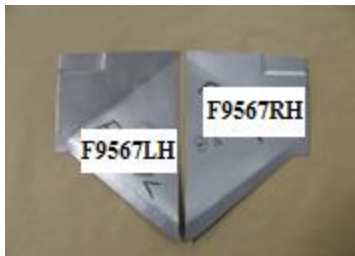
**REPAIR PANELS**



9-1/2" W X 11-1/2"H  
 With Duct Hole, Antenna & Mount Holes  
 F9C567RH Round Duct Hole, Repair RH..... Call  
 F9C567LH Same as Above LH..... Call



F9D567RH Die Pressed Vent Door Repair RH ..... Call  
 F9D567LH Die Pressed Vent Door Repair LH..... Call



F9567LH Kick Panel Lower Repair LH 12" X 8" ..... Call  
 F9567RH Kick Panel Lower Repair RH 12" X 8" ..... Call



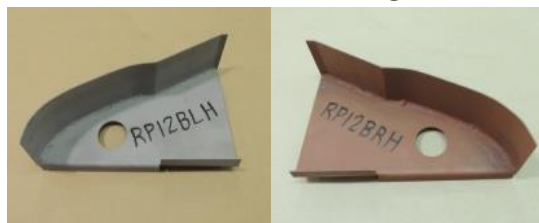
RP45RH Door Post with 2" Wrap RH..... Call  
 RP45LH Door Post with 2" Wrap LH ..... Call



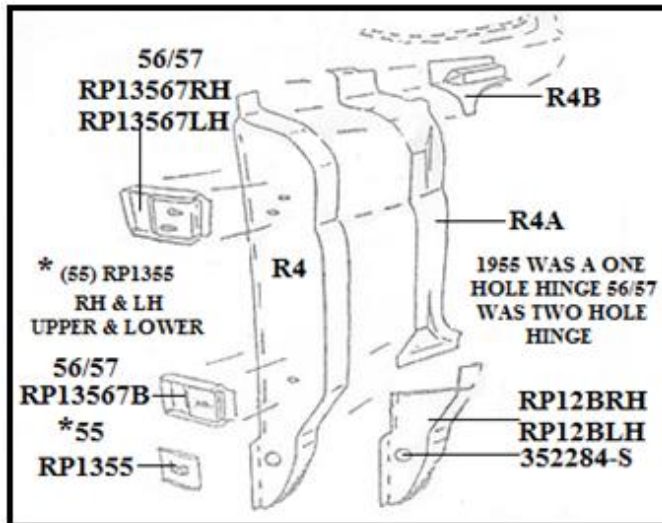
R4A567RH Rear Wrap of Door Post RH ..... Call  
 R4A567LH Rear Wrap of Door Post LH..... Call

**REPAIR PANELS**

**REPAIR PANELS**



RP12BLH Door Post Lower Repair Panel LH..... 37.80  
 RP12BRH Door Post Lower Repair Panel RH ..... 37.80  
 Use Plug 352284-S at Lower Door Repair



See Page 152 for Hinge Nut Plates

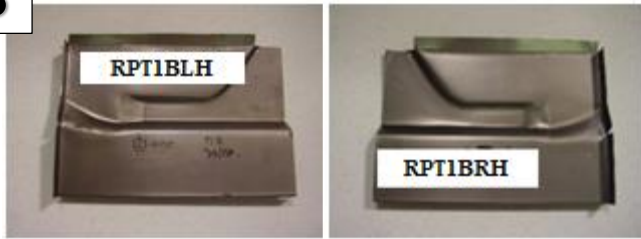


R4B567RH Filler Piece top of Door Post RH..... Call  
 R4B567LH Filler Piece top of Door Post LH ..... Call



RP45LH and RP12BLH Shown

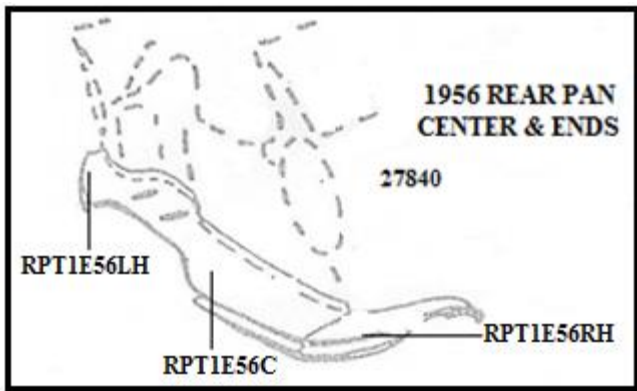
REPAIR PANELS



- RPT1ARH Trunk Side Ramp 55/56 RH..... Call
- RPT1ALH Trunk Side Ramp 55/56 LH ..... Call
- RPT1BRH Trunk Corner 55/56 RH ..... Call
- RPT1BLH Trunk Corner 55/56 LH ..... Call



- RPT2ARH Trunk Side Ramp 57 RH..... Call
- RPT2ALH Trunk Side Ramp 57 LH ..... Call
- RPT2BRH Trunk Corner 57 RH ..... Call
- RPT2BLH Trunk Corner 57 LH..... Call

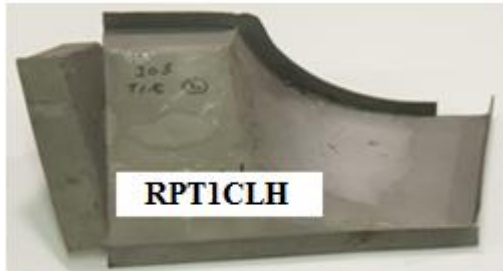
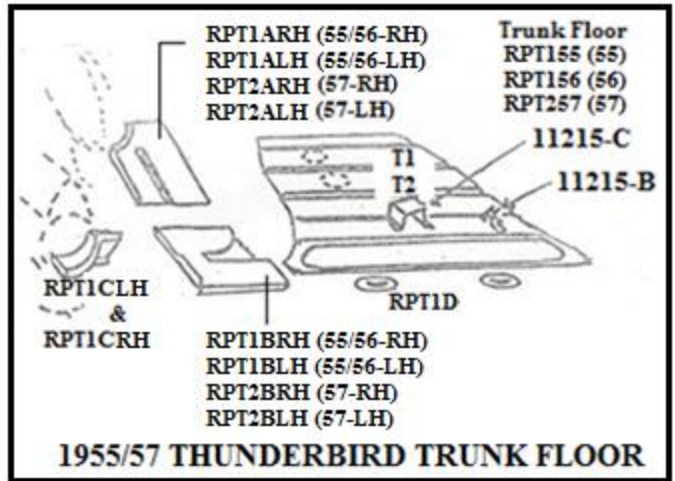


- Ford Part # 17836RH/17837LH
- RPT1E56RH Rear Pan End Only 56 RH (17836)..... Call
  - RPT1E56LH Rear Pan End Only 56 LH (17837)..... Call
  - RPT1E56C Rear Pan Center Only 56 ..... Call
  - RPT1D556 Trunk Fuel Tank Locator ..... Call

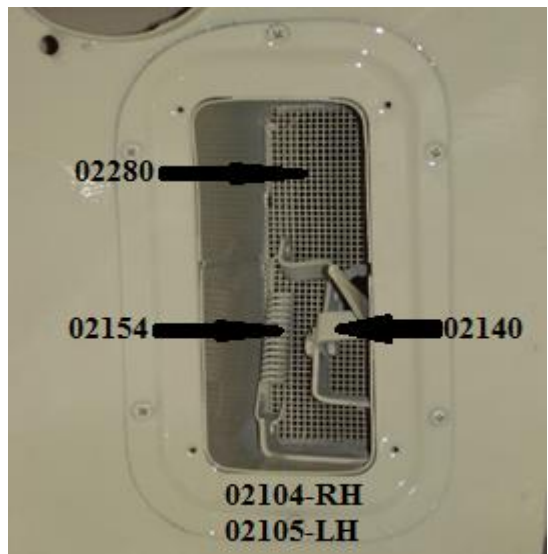
HILL'S THUNDERBIRD CENTER GIFT CERTIFICATES AVAILABLE!

REPAIR PANELS

- RPT155 Trunk Floor 55 38"W X 25"D with Ribs ..... Call
- RPT156 Trunk Floor 56 38"W X 25"D with Ribs ..... Call
- RPT257 Trunk Floor 57 38"W X 25"D with Ribs ..... Call



- RPT1CRH Trunk Rear Valance End 55/56 RH..... Call
- RPT1CLH Trunk Rear Valance End 55/56 LH ..... Call



**RH INNER VENT OPENING**  
Quality Sheet Metal Coming Soon  
For Updated Information & Pricing-Please Check  
Our On-Line Catalog at [www.hillsresto.com](http://www.hillsresto.com)  
You can also Call Us at (866) 949-1956



H  
I  
L  
L  
  
T  
H  
U  
N  
D  
E  
R  
B  
I  
R  
D  
  
C  
E  
N  
T  
E  
R

Give us a call today  
about your upcoming  
restoration projects!

159

**HILL'S**  
**AUTOMOTIVE**

CLASSIC CAR RESTORATION & PARTS

*"Make Your Vision Come True!"*



**Owner Marvin Hill**

**29625 Bashan Road, Racine, Ohio 45771**

**www.hillsresto.com**

**Email: tbird1957@verizon.net**

**Info: 740-949-2217**

**Order: 866-949-1956**



1965 Oldsmobile 442  
Ransom P. Olds Award



1956 Thunderbird  
Ford Award



1938 Cadillac Convertible  
Outstanding Cadillac-LaSalle Award



- Classic, Antique, & Muscle
- More than 30 years building & showing top show cars
- Full & Partial Restorations Available



**HILL'S**  
**THUNDERBIRD CENTER**  
*"Everything you need!"*

- We Buy & Consign
- Call our Parts Department for hard to find  
**55-57 Thunderbird Parts**

Resto-Mod Restorations from our Award Winning Restoration Department.

Hill's Offers:

Modern Radio Options Including MP3 and Bluetooth

In-Dash Air Conditioning

Rack-n-Pinion Steering

Borgeson Steering

Fuel Injection

All Different Engine Options

Radial Tires

4 Wheel Disc Brakes

Tilt Steering

H  
I  
L  
L  
S  
  
T  
H  
U  
N  
D  
E  
R  
B  
I  
R  
D  
  
C  
E  
N  
T  
E  
R



HILL'S THUNDERBIRD CENTER 866-949-1956