

**\$5.00**

# **Concours Parts**

**& ACCESSORIES**

**1955-1957 THUNDERBIRD  
ILLUSTRATED CATALOG**

**Parts Toll Free 800 722-0009**  
**Fax Toll Free 800 725-8644**  
**Local Phone 775 882-5100**  
**Int'l Fax 775 882-2404**



**ORDER ON-LINE @  
CONCOURSEPARTS.COM**

# WHEN YOU THINK CONCOURS QUALITY PARTS FOR YOUR THUNDERBIRD ... THINK

## *Concours Parts* AND ACCESSORIES

### CONCOURS QUALITY PARTS!

The value of your classic Ford ultimately depends on the quality of its parts. We were so dedicated to Concours Quality, that we named our company after this concept! Whether you are just out for a Sunday drive, or showing your Thunderbird in a local or Club Concours d'Elegance, it is important for you to have **Concours Quality authentic parts** on your Ford. After 40 years of showing Fords and Thunderbirds as well as selling parts for them, we know the difference between just "parts" and "**Concours Quality Parts**"!

When ordering from our easy to read catalog, you receive only the best parts available! The numerous parts that we reproduce as well as other parts we sell, are **equal to** or **better than** the original Ford Parts in materials, fit and workmanship!

### GUARANTEE / RETURNS

**WE SELL ONLY THE BEST PARTS AVAILABLE!** All of our parts are guaranteed against defects in material or workmanship. **Liability to Concours Parts & Accessories is limited to the replacement of the defective part only.** If for any reason you are not completely satisfied with anything you have purchased from us, simply return it to us within 30 days of receipt for a "No Hassle" return. **Please enclose a copy of the invoice & a reason for the return.** We will then send you a refund for the part(s) returned. There will be **NO restocking charge!** **OF COURSE, THE PART(S) MUST BE PACKAGED PROPERLY SO WE GET THEM IN SALABLE CONDITION.**

### CORE CHARGES - EXCHANGE PARTS

The core charge, will be returned upon receipt of the rebuildable old part. **Core must be returned fully assembled, drained of all fluids and rebuildable.**

A few parts still not reproduced are sold **exchange only.** **We must have your rebuildable core!** Cores for these parts must be sent in to us to be rebuilt for you.

### ORDERING BY TELEPHONE - TOLL FREE

Phone orders are welcome. Our toll free lines are open five days a week; Monday through Friday, 8:00 a.m. to 5:30 p.m. Pacific Time. **Dial toll free anywhere in the USA and Canada (800) 722-0009.** Our local line is (775) 882-5100. We accept Visa, MasterCard or Discover orders by phone.

### ORDERING BY FAX

Please fill out our order form in the centerfold of your catalog and **FAX anytime** to (800) 725-8644 or international @ (775) 882-2404. Please be sure to give us your daytime phone number. We also accept Visa, MasterCard or Discover orders by FAX.

### ORDERING BY MAIL

Order forms are included in your catalog. **Please include Visa, MasterCard or Discover numbers and expiration date,** or a money order or cashiers check.

### ORDERING BY INTERNET

Log on to [www.concoursparts.com](http://www.concoursparts.com) and place your order **24 hrs a day!** Credit card secure site with a shopping cart. Search by part number or description. Orders processed the next morning.

### FAST SHIPPING!

It is our goal to ship orders within **24 hours!** A large percentage of orders are in fact shipped the same day! Any part not in stock will be back ordered unless the customer requests "cancel back orders". If we cannot ship the part(s) within 30 days, we will refund the appropriate amount due.

### SHIPPING CHARGES

In the lower 48 states, if your order exceeds \$300.00 in parts, we will ship it for free by standard UPS or US Postal Service. The only exceptions to free shipping, are parts that we deem over-sized and/or extra heavy. (i.e. brake drums, water pumps, etc.) Orders under \$300.00 will be charged 10% with a \$10.00 minimum. **All oversized/heavy parts will be charged actual freight on all orders.**

Shipments outside the lower 48 states, or any premium transportation (i.e. UPS "First, Second or Third Day" air, or any other air carrier) will be charged at a much higher actual shipping cost. Some US and foreign shipments may not be sent by mail because the USPS has a much stricter "Size & Weight Limit" for parcels.

### DAMAGED MERCHANDISE - SHORTAGES

Merchandise damaged in shipment must be REPORTED TO THE CARRIER (UPS, ETC.) IMMEDIATELY and then held with all the shipping cartons. Also, call us immediately so we may replace the damaged parts. **In the case of shortages, defects or errors within your parts order, YOU MUST CALL US WITHIN 7 DAYS OF RECEIPT TO CORRECT THE PROBLEM.**

### PRICES

**Due to periodic changes in prices by our suppliers, prices may change without prior notice.**

### QUANTITY DISCOUNT

We will extend a quantity discount of 10% on orders for new parts or upholstery over \$1000.00 paid for by cash or certified funds in advance. If you prefer to pay by MasterCard, VISA or Discover, we will extend a 7% discount. There are a few parts that are excepted from discount and we will be glad to discuss these items over the phone with you. The majority are listed below.

**Examples of non-discountable parts:** *A/C unit, Wire Wheels, Tires, Wheel & Tire Kit, Disc Brake Kit, Power Brake Installation Kit, Front Suspension Overhaul Kit, Complete Power Steering Kit, Air Duct Kit, Power Window Kit & Replacement Top.*

### We Gladly Accept:



## Dear Thunderbird Owner,

As the owner of Concours Parts & Accessories, I would like to tell you a little bit about the company & the people who are here to help you buy the parts you need. On a personal note, 2021 marks my 64<sup>th</sup> year of selling Ford parts. Since 1957 I have worked in & managed Parts Departments in California Ford Dealerships. My Thunderbird Parts Business started as a part-time venture in 1969. While restoring my Goldenrod Yellow 55 Bird, I found that many of the parts that I needed were not available. I had a local company make rubber gaskets & grommets so I could complete my car. In the early 1970's I started one of the first Classic Thunderbird Parts businesses fulltime. Some 50 plus years later, after reproducing hundreds of Concours Quality Parts & Upholstery, we are still reproducing new parts for the Classic Thunderbird! We have strived for the most **Authentic & Highest Quality Parts** so that our customers can restore their Birds back to original!

If you are interested in showing your Bird in local or C.T.C.I. Concours d'Elegance, Concours Parts & Accessories is your best source for **Concours Quality Parts!** We even named our Company after this concept! You will see many notes in our catalog that refer to "**Excellence in Authenticity**" award. If you are showing your Bird in C.T.C.I. Concours d'Elegance & score 290 points or more, your Bird will be eligible to be judged for this extra award. We are striving to make available correct reproductions or "original" Ford parts that qualify for this prestigious award!

If you need assistance or parts not listed in our catalog, please phone and speak with one of our knowledgeable partsmen. Also, please take some time and read through our "Ordering Information" section. You will see that **we do business a little differently here at Concours Parts.**

Sincerely;

*Larry Evenson*

UPHOLSTERY	2
SOFT TOP RECOVERING	7
WEATHERSTRIP KIT	8/94
CHROME KITS	9
ACCESSORIES	11
RADIO	10/77
REPLACEMENT BODY PANELS	12
WHEELS	14
BRAKES	16
FRT. SUSPENSION/STEERING	20
DIFFERENTIAL/DRIVE SHAFT	28
BODY MOUNTING	29
REAR SPRING	30
EXHAUST	31
ENGINE	34
TRANSMISSION	38
COOLING SYSTEM/GRILLE	41
FUEL SYSTEM	45
GENERATOR/BATTERY	52
KNOB KITS	54
STARTER/IGNITION	55
HEADLAMP/PARK LAMP	58
TAIL LAMP/LICENSE LAMP	59
HORN RING	62
WIRING/WIRING KITS	62
BATTERY CABLES & GROM.	65
POWER WINDOW & SEAT	66
BACK-UP LAMP	67
FRONT FENDER & HOOD	68
SPEEDOMETER & WIPER ASSY.	70
MIRROR ASSY. & BUMPERS	73
HEATER/VENT SYSTEM	75
WINDSHIELD/DASH	81
DOOR PARTS	83
FENDER SKIRTS/PORHOLE	88
TRUNK	89
TOP CLAMPS/HOLD DOWN PARTS	91
STD. PARTS/ATTACHING KITS	96
DECALS/LITERATURE	101
DETAILED INDEX	103



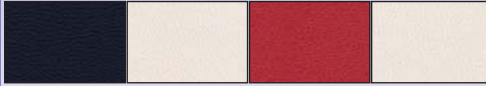
1957 BRONZE

# UPHOLSTERY KITS

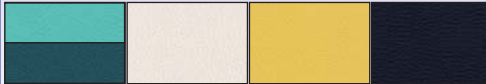
OUR CONCOURS QUALITY UPHOLSTERY KIT IS THE BEST WAY TO PURCHASE YOUR UPHOLSTERY!  
**SAVE MONEY & TIME! INSURE "DYE LOT" COLOR CONSISTENCY! HERE IS WHAT IS INCLUDED:**

- ✓ 1 SET OF SEAT COVERS that also includes:
    - "**BOOTIES**" - For the hinge portion of the backrest.
    - "**WINGS**" - To cover the space between the back edge of the seat & backboard
  - ✓ BACKREST CARDBOARD
  - ✓ DOOR PANELS (1 PR.)
  - ✓ KICK PANELS (1 PR.)
  - ✓ QUARTER PANEL CARDBOARDS
- ✓ WINDLACE (4 PCS.)
  - ✓ GARNISH RAIL COVERS (3 PCS.)
  - ✓ ARM REST COVERS (1 PR.)
  - ✓ WELT CORD BEADING (1 PR.)
  - ✓ VINYL FLOOR COVER!
  - ✓ DASH COVER (55 & 56)
  - ✓ DROP CURTAIN!
  - ✓ CARPET WITH JUTE PADDING
- EMBOSSEMENTS AVAILABLE IN '56 & '57 KITS

## 1955 AVAILABLE COLORS



BLACK & WHITE      RED & WHITE



GREEN & WHITE      YELLOW & BLACK

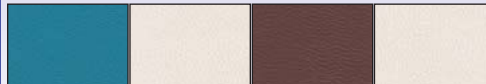
UK-55-B-W*	Black & White	1095.00
UK-55-RED*	Red & White	1095.00
UK-55-G-W*	Green & White	1095.00
UK-55-Y-B*	Yellow & Black	1095.00

\*AVAILABLE IN LEATHER -  
 Add '-L' to Part # above  
 (i.e. UK-55-B-W-L) ..... 1995.00

## 1956 AVAILABLE COLORS



BLACK & WHITE      FIESTA RED & WHITE



PEACOCK & WHITE      BUCKSKIN TAN & WHITE

UK-56-B-W*	Black & White	1108.00
UK-56-R-W*	Fiesta Red & White	1108.00
UK-56-P-W*	Peacock & White	1108.00
UK-56-BU-W*	Buckskin Tan & White	1108.00
UK-56-SG-W*	Sage Green & White	1108.00

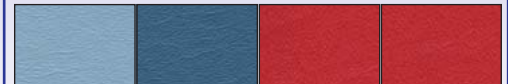
SAGE GREEN & WHITE

FOR EMBOSSED BACKREST ADD \$30.00  
 \*AVAILABLE IN LEATHER -  
 Add '-L' to Part # above  
 (i.e. UK-56-B-W-L) ..... 1995.00

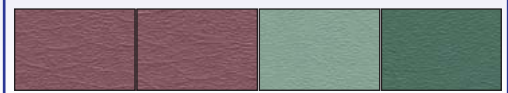
## 1957 AVAILABLE COLORS



BLACK & WHITE      WHITE



TWO-TONE BLUE      RED



BRONZE      TWO-TONE GREEN

UK-57-BK-W*	Black & White	1108.00
UK-57-WHT*	All White	1108.00
UK-57-BLU*	Two-Tone Blue	1108.00
UK-57-BRZ*	Bronze	1108.00
UK-57-RED*	Red	1108.00
UK-57-GR*	Two-Tone Green	1108.00

FOR EMBOSSED BACKREST ADD \$30.00  
 \*AVAILABLE IN LEATHER -  
 Add '-L' to Part # above  
 (i.e. UK-57-BK-W-L) ..... 1995.00

**SPECIAL ORDER COLORS AVAILABLE!**  
 PLEASE CALL FOR INFORMATION!



1956 FIESTA RED

## SEAT COVER SET

Our **Concours Quality** seat covers are available in all of the original colors & are an **exact reproduction of the original!** In fact, all of our upholstery is **probably better than the original!** You get one set of seat covers (cushion & backrest), one pair of "booties" & one pair of "wings".

### 1955

SC-55-B-W	Black & White	set	359.00
SC-55-RED	Red & White	set	359.00
SC-55-G-W	Green & White	set	359.00
SC-55-Y-B	Yellow & Black	set	359.00

### 1956

SC-56-B-W	Black & White	set	379.95
SC-56-R-W	Red & White	set	379.95
SC-56-P-W	Peacock & White	set	379.95
SC-56-BU-W	Buckskin Tan & White	set	379.95
SC-56-SG-W	Sage Green & White	set	379.95

### 1957

SC-57-BK-W	Black & white	set	379.95
SC-57-WHT	All white	set	379.95
SC-57-BLU	Two tone blue	set	379.95
SC-57-RED	All red	set	379.95
SC-57-BRZ	Bronze	set	379.95
SC-57-GR	Two tone green	set	379.95

Note: We recommend ordering our seat foam set as your old original foam is probably falling apart.

## SEAT COVER EMBOSSEMENT



1956



1957

All 1956 T-birds, as well as 1957 T-birds built prior to about January 1957, had logos embossed into the center of the backrest cover.

The 1956 models had a Ford "Crest" & the 1957 models had a "Thunderbird" logo. Even though Ford originally had a problem with these embossments ripping out, our new "state of the art" embossments are trouble-free & add a nice touch to your Bird's interior! If you are going to show your Bird, **these are a must!**

PLEASE ADD \$30.00 FOR THE EMBOSSEMENT WHEN ORDERING YOUR SEAT COVERS.

## LEATHER SEAT COVERS

Our Leather Seat Covers are hand-crafted & vat-dyed to meet the high standards set for fit, finish and color that you have come to expect from our products. We recommend that you purchase Leather Arm Rest Covers & Garnish Rail Covers too!

### 1955

SC-55-B-W-L	Black & White	set	1175.00
SC-55-RED-L	Red & White	set	1175.00
SC-55-G-W-L	Green & White	set	1175.00
SC-55-Y-B-L	Yellow & Black	set	1175.00

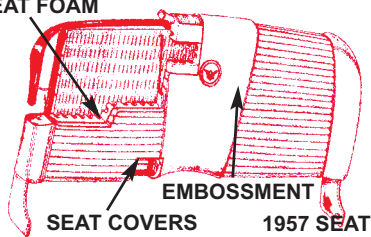
### 1956

SC-56-B-W-L	Black & White	set	1175.00
SC-56-R-W-L	Red & White	set	1175.00
SC-56-P-W-L	Peacock & White	set	1175.00
SC-56-BU-W-L	Buckskin Tan & White	set	1175.00
SC-56-SG-W-L	Sage Green & White	set	1175.00

### 1957

SC-57-BK-W-L	Black & white	set	1175.00
SC-57-WHT-L	All white	set	1175.00
SC-57-BLU-L	Two tone blue	set	1175.00
SC-57-RED-L	All red	set	1175.00
SC-57-BRZ-L	Bronze	set	1175.00
SC-57-GR-L	Two tone green	set	1175.00

**SEAT FOAM**

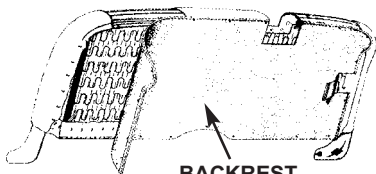


**SEAT FOAM SET**

If your Bird still has the original seat foam in it, it probably needs to be replaced! The original "Latex" type foam after 40 years is more than likely disintegrating into little pieces which end up on the floor under the seat! Replace it with our new "state of the art" foam to assure proper fit and lasting appearance of your seat covers.

Please specify year of your Bird when ordering.

<b>SF-55</b>	55, Incl. cushion & backrest . . .	289.12
<b>SF-55-BOTTOM</b>		
55	Includes cushion only . . .	189.95
<b>SF-56</b>	56, Incl. cushion & backrest . . .	289.12
<b>SF-56-BOTTOM</b>		
56	Includes cushion only . . .	189.95
<b>SF-57</b>	57, Incl. cushion & ackrest . . .	289.12
<b>SF-57-BOTTOM</b>		
57	Includes cushion only . . .	189.95



**BACKREST CARDBOARD**

**BACKREST CARDBOARD**

Our **Concours Quality** backrest cardboards are now made **Completely Correct** with original type colored cardboard and edged with **Concours Correct extruded Binding!!** Available in all original colors.

**1955**

<b>BR-55-BLK</b>	Black . . . . .ea.	46.95
<b>BR-55-RED</b>	Red . . . . .ea.	46.95
<b>BR-55-GR</b>	Green . . . . .ea.	46.95

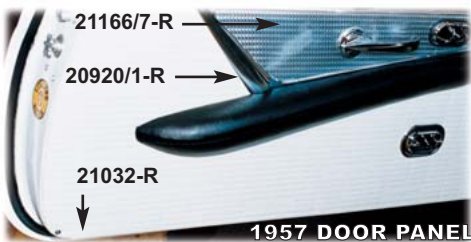
**1956**

<b>BR-56-BLK</b>	Black . . . . .ea.	46.95
<b>BR-56-R</b>	Red . . . . .ea.	46.95
<b>BR-56-BU</b>	Buckskin Tan . . . . .ea.	46.95
<b>BR-56-SG</b>	Sage Green . . . . .ea.	46.95
<b>BR-56-P</b>	Peacock . . . . .ea.	46.95

**1957**

<b>BR-55-BLK</b>	Black . . . . .ea.	46.95
<b>BR-57-RED</b>	Red . . . . .ea.	46.95
<b>BR-57-WHT</b>	White . . . . .ea.	46.95
<b>BR-57-BLU</b>	Blue . . . . .ea.	46.95
<b>BR-57-BRZ</b>	Bronze . . . . .ea.	46.95
<b>BR-57-GR</b>	Green . . . . .ea.	46.95

**APK-69 - Kit to attach backrest cardboard . . .49 pcs. 7.95**



**1957 DOOR PANEL**

**DOOR & KICK PANELS**

All of our **Concours Quality** door & kick panel boards are "**die cut**" to assure that the fit is perfect. They are then covered with matching vinyls that are reproduced to duplicate the originals in every way.

- **1955 Birds** - Have 1" heat seams embossed into them.
- **1956 Birds** - Have 1" heat seams that has a "simulated stitch" embossed into them.
- **1957 Birds** - Have a "Thunderbird" logo & elongated rectangles embossed into them.

**DOOR PANELS**

Our **Concours Quality** door panels are available in all original colors!

**1955**

<b>DP-55-WHT</b>	White . . . . .pr.	185.00
<b>DP-55-YEL</b>	Yellow . . . . .pr.	185.00

**1956**

<b>DP-56-W</b>	White . . . . .pr.	185.00
----------------	--------------------	--------

**1957**

<b>DP-57-WHT</b>	White . . . . .pr.	185.00
<b>DP-57-RED</b>	Red . . . . .pr.	185.00
<b>DP-57-BRZ</b>	Bronze . . . . .pr.	185.00
<b>DP-57-GR</b>	Willow Green . . . . .pr.	185.00
<b>DP-57-BLU</b>	Starmist Blue . . . . .pr.	185.00

**ATTACHING PARTS - DOOR & GARNISH RAIL**

- APK-71 - 55/56** Does 2 sides . . . . .25.95
- APK-72 - 57** . . .Does 2 sides . . . . .15.95
- APK-173 - Channels to door** . . . . .Does 2 sides . . . . .1.25
- 358575-S - Dr. panel clip** .ea. . . . .0.50

<b>21032-R</b>	57, Retainer channel, lower door upholstery panel, RH or LH . . . . .ea.	14.95
	<b>APK-173 - Kit attaches #21032-R</b> . . . . .Does 2 sides . . . . .1.25	



**QTR. PANEL 02354/5**

**KICK PANELS**

Our **Concours Quality** kick panels are available in all of the original colors!

**1955**

<b>KP-55-WHT</b>	White . . . . .pr.	89.95
<b>KP-55-YEL</b>	Yellow . . . . .pr.	89.95

**1956**

<b>KP-56-W</b>	White . . . . .pr.	89.95
----------------	--------------------	-------

**1957**

<b>KP-57-WHT</b>	White . . . . .pr.	89.95
<b>KP-57-RED</b>	Red . . . . .pr.	89.95
<b>KP-57-BRZ</b>	Bronze . . . . .pr.	89.95
<b>KP-57-GR</b>	Willow Green . . . . .pr.	89.95
<b>KP-57-BLU</b>	Starmist Blue . . . . .pr.	89.95

<b>02354/5-K</b>	Retainer, kick panel . . . . .pr.	109.95
------------------	-----------------------------------	--------

**QTR. PANEL CARDBOARDS**

Quarter panel cardboards are located between the rear door post & the rear wheel house. Available in all original colors & die cut for exact fit!

**1955**

<b>QP-55-WHT</b>	White - For interior colors except yellow interior . . . . .pr.	42.00
------------------	---	-------

<b>QP-55-56-BLK</b>	Black - For Goldenrod yellow interior . . . . .pr.	42.00
---------------------	--	-------

**1956**

<b>QP-55-56-BLK</b>	Black . . . . .pr.	42.00
---------------------	--------------------	-------

<b>QP-56-R</b>	Red . . . . .pr.	42.00
----------------	------------------	-------

<b>QP-56-BU</b>	Buckskin Tan . . . . .pr.	42.00
-----------------	---------------------------	-------

<b>QP-56-SG</b>	Sage Green . . . . .pr.	42.00
-----------------	-------------------------	-------

<b>QP-56-P</b>	Peacock . . . . .pr.	42.00
----------------	----------------------	-------

**1957**

<b>QP-57-WHT</b>	White . . . . .pr.	42.00
------------------	--------------------	-------

<b>QP-57-RED</b>	Red . . . . .pr.	42.00
------------------	------------------	-------

<b>QP-57-BLU</b>	Blue . . . . .pr.	42.00
------------------	-------------------	-------

<b>QP-57-BRZ</b>	Bronze . . . . .pr.	42.00
------------------	---------------------	-------

<b>QP-57-GR</b>	Green . . . . .pr.	42.00
-----------------	--------------------	-------

**APK-70 - Kit to attach qtr. panel cardboards** . . . .Does 2 sides . . . . .3.95

<b>31262-R</b>	Tack Strip, Rear Windlace & Qtr. Panel Cardboards . .pr.	5.95
----------------	--	------



**20910-K**

**ALUMINUM DOOR TRIM & MOLDING KIT**

Kit includes:

- 2 ea. - 'L' Door Trim Molding (LH & RH)
- 2 ea. - Alum. Door Trim Panel (LH & RH)

<b>20910-K</b>	55/57, Used without power seats . . . . .kit	284.95
----------------	--	--------

<b>20910-KP</b>	55/57, Used with power seat switch in panel . . . . .kit	289.95
-----------------	--	--------

**INDIVIDUAL PARTS**

<b>20920-R</b>	RH, "L" Dr. Trim Rear Mldg . .	16.01
----------------	--------------------------------	-------

<b>20921-R</b>	LH, "L" Dr. Trim Rear Mldg . .	14.91
----------------	--------------------------------	-------

<b>21166</b>	RH, Alum. Dr. Trim Panel . . .	127.45
--------------	--------------------------------	--------

<b>21167</b>	LH, Alum. Dr. Trim Panel, used without power seat switch . . . . .ea.	127.45
--------------	---	--------

<b>21167-H</b>	LH, Alum. Dr. Trim Panel, with hole for power seat switch . . . . .ea.	133.88
----------------	--	--------



**ACC-HR**

**ACC-HR-PRO**

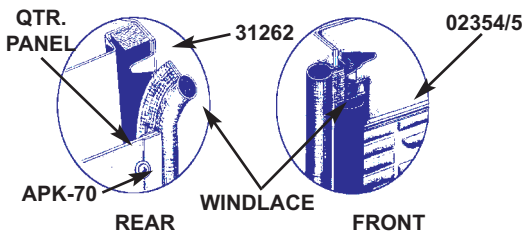
**HOG RING & PLIERS KIT**

Includes one set of quality pliers & 100 hog rings. Enough to do a complete set of seat covers!

**NOTE: IF YOU ARE NOT EXPERIENCED IN THE INSTALLATION OF T-BIRD SEAT COVERS, WE RECOMMEND THAT YOU HAVE A PROFESSIONAL AUTOMOTIVE TRIMMER DO THE INSTALLATION.**

<b>ACC-HR</b>	'Economy Grade' . . . . .kit	16.95
---------------	------------------------------	-------

<b>ACC-HR-PRO</b>	'Professional Grade' .kit	26.95
-------------------	---------------------------	-------



### WINDLACE SET (4 pcs.)

Windlace is the round piping located vertically at the front & rear of the door opening. Available in all original colors.

**Cloth Covered - (As original for 1955 & 1956)**

#### 1955

WL-55-BLK-C	Black	set of 4	42.00
WL-55-RED-C	Red	set of 4	42.00
<b>1956</b>			
WL-56-BLK-C	Black	set of 4	42.00
WL-56-R-C	Red	set of 4	42.00
WL-56-P-C	Peacock	set of 4	42.00
WL-56-SG-C	Sage green	set of 4	42.00

**Vinyl Covered to Match Upholstery**

#### 1955

WL-55-56-BLK	Black	set of 4	42.00
WL-55-RED	Red (not original)	set of 4	42.00
WL-55-GR	Green	set of 4	42.00

#### 1956

WL-55-56-BLK	Black	set of 4	42.00
WL-56-R	Red (not original)	set of 4	42.00
WL-56-BU	Buckskin Tan	set of 4	42.00
WL-56-SG	Sage Green	set of 4	42.00
WL-56-P	Peacock Blue	set of 4	42.00

#### 1957

WL-57-WHT	White	set of 4	42.00
WL-57-RED	Red (original)	set of 4	42.00
WL-57-BLU	Blue	set of 4	42.00
WL-57-BRZ	Bronze	set of 4	42.00
WL-57-GR	Green	set of 4	42.00
31262-R	Rear windlace tack strip	.pr.	5.95

**Note: Front windlace is installed by bending over the metal tabs that are part of the body.**

WC-57-BLK	Black	.pr.	13.50
WC-57-RED	Red	.pr.	13.50
WC-57-WHT	White	.pr.	13.50
WC-57-BLU	Blue	.pr.	13.50
WC-57-BRZ	Bronze	.pr.	13.50
WC-57-GR	Green	.pr.	13.50

### GARNISH RAIL COVERS

These vinyl covers are glued to the door garnish rails & also the long garnish rail on the deck behind the seat.

Available in all of the original colors.

#### 1955

GR-55-56-BLK	Black	set of 3	20.20
GR-55-RED	Red	set of 3	20.20
GR-55-GR	Green	set of 3	20.20

#### 1956

GR-55-56-BLK	Black	set of 3	20.20
GR-56-R	Red	set of 3	20.20
GR-56-BU	Buckskin Tan	set of 3	20.20
GR-56-SG	Sage Green	set of 3	20.20
GR-56-P	Peacock	set of 3	20.20

#### 1957

GR-57-BLK	Black	set of 3	20.20
GR-57-RED	Red	set of 3	20.20
GR-57-WHT	White	set of 3	20.20
GR-57-BLU	Blue	set of 3	20.20
GR-57-BRZ	Bronze	set of 3	20.20
GR-57-GR	Green	set of 3	20.20

### LEATHER GARNISH RAIL COVERS

Our Leather Garnish Rail Covers are available in all of the above colors. When ordering just add a "L" to the end of the part number.

Leather Garnish Rail Covers	set of 3	109.00
-----------------------------	----------	--------

### ARM REST COVERS

Replace your arm rest covers with our correctly sewn **Concours Quality Covers**. Our French seams are straight & sewn correctly for ease of installation.

Available in all of the original colors.

#### 1955

AR-55-56-BLK	Black	.pr.	45.00
AR-55-RED	Red	.pr.	45.00
AR-55-GR	Green	.pr.	45.00

#### 1956

AR-55-56-BLK	Black	.pr.	45.00
AR-56-R	Red	.pr.	45.00
AR-56-BU	Buckskin Tan	.pr.	45.00
AR-56-SG	Sage Green	.pr.	45.00
AR-56-P	Peacock	.pr.	45.00

#### 1957

AR-57-BLK	Black	.pr.	45.00
AR-57-RED	Red	.pr.	45.00
AR-57-BLU	Blue	.pr.	45.00
AR-57-BRZ	Bronze	.pr.	45.00
AR-57-GR	Green	.pr.	45.00
AR-57-WHT	White	.pr.	45.00

### LEATHER ARM REST COVERS

Our Leather Arm Rest Covers are available in all of the above colors. When ordering just add a "L" to the end of the part number.

Leather Arm Rest Covers	.pr.	148.00
-------------------------	------	--------



24141-R

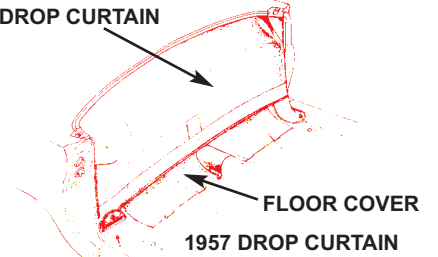
### ARM REST - FIBERGLASS

24140-R	55/57, RH, fiberglass	.ea.	85.63
24141-R	55/57, LH, fiberglass	.ea.	85.63
24142-RK	55/57, Kit, arm rest foam, glues to arm rest	.pr.	7.50



**APK-164** - Kit to attach arm rest bodys to door panels . . . . . 2.95  
**APK-165** - Kit to attach arm rest "wedge" spacers to door panels . . . . . 5.95

### DROP CURTAIN



1957 DROP CURTAIN

### DROP CURTAIN

The drop curtain hangs from the rear deck behind the seat & snaps to the floor. Sewn as original & available in all original colors.

**Note: 56 & 57 with factory installed tonneau covers do not use, as the tonneau cover mounts in the same location.**

#### 1955

DCT-55-56-BLK	Black	.ea.	69.95
DCT-55-RED	Red	.ea.	69.95
DCT-55-GR	Green	.ea.	69.95

#### 1956

DCT-55-56-BLK	Black	.ea.	69.95
DCT-56-R	Red	.ea.	69.95
DCT-56-BU	Buckskin Tan	.ea.	69.95
DCT-56-SG	Sage Green	.ea.	69.95
DCT-56-P	Peacock	.ea.	69.95

#### 1957

DCT-57-BLK	Black	.ea.	69.95
DCT-57-RED	Red	.ea.	69.95
DCT-57-WHT	White	.ea.	69.95
DCT-57-BLU	Blue	.ea.	69.95
DCT-57-BRZ	Bronze	.ea.	69.95
DCT-57-GR	Green	.ea.	69.95

**APK-74** - To attach drop curtain to floor, 55/56 . . . . . 6 pcs. 5.95  
**APK-75** - To attach drop curtain to floor, 57 . . . . . 2 pcs. 11.45



### WELT CORD BEADING

This beading is located between the aluminum door trim panel & the "wedge" at the front of the door.

Available in all of the original colors.

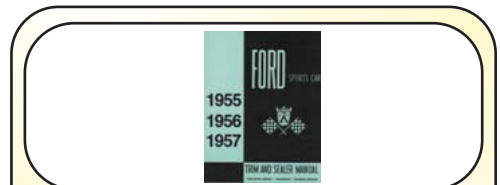
#### 1955

WC-55-56-BLK	Black	.pr.	13.50
WC-55-RED	Red	.pr.	13.50
WC-55-GR	Green	.pr.	13.50

**Note: Use black on yellow & black interiors.**

#### 1956

WC-55-56-BLK	Black	.pr.	13.50
WC-56-R	Red	.pr.	13.50
WC-56-BU	Buckskin Tan	.pr.	13.50
WC-56-SG	Sage Green	.pr.	13.50
WC-56-P	Peacock	.pr.	13.50



### UPHOLSTERY TRIM & SEALER MANUAL

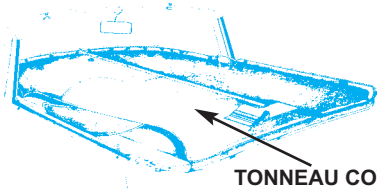
Shows how to install all upholstery as well as where to put under-seal as it was done at the factory!

L7	55/57	. . . . .	19.95
----	-------	-----------	-------

## VINYL FLOOR COVER

This upholstery piece lays on the floor behind the seat & covers the floor area between the drop curtain & seat. Available in all of the original colors.

<b>1955</b>		
FC-55-BLK	Black	10.50
FC-55-RED	Red	10.50
FC-55-GR	Green	10.50
<b>1956</b>		
FC-56-BLK	Black	10.50
FC-56-R	Red	10.50
FC-56-BU	Buckskin Tan	10.50
FC-56-SG	Sage Green	10.50
FC-56-P	Peacock	10.50
<b>1956</b>		
FC-56-BLK-T	Black, W/ tonneau cover	24.50
FC-56-R-T	Red, W/ tonneau cover	24.50
FC-56-BU-T	Buckskin Tan, With tonneau cover	24.50
FC-56-SG-T	Sage Green, With tonneau cover	24.50
FC-56-P-T	Peacock, With tonneau cover	24.50
<b>1957</b>		
FC-57-BLK	Black	24.50
FC-57-RED	Red	24.50
FC-57-WHT	White	24.50
FC-57-BLU	Blue	24.50
FC-57-BRZ	Bronze	24.50
FC-57-GR	Green	24.50



TONNEAU COVER

## TONNEAU COVER

Concours Quality factory type tonneau covers are available for your 55/57 Birds. These take the place of the drop curtain. Snaps are included, but not installed. This must be done while fitting the tonneau to the car.

We recommend professional installation.

<b>1955</b>		
TC-55-56-BLK	Black	225.00
TC-55-56-WHT	White	225.00
TC-55-RED	Red	225.00
TC-55-GR	Green	225.00
<b>1956</b>		
TC-55-56-BLK	Black	225.00
TC-55-56-WHT	White	225.00
TC-56-R	Red	225.00
TC-56-BU	Buckskin Tan	225.00
TC-56-SG	Sage Green	225.00
TC-56-P	Peacock	225.00
<b>1957</b>		
TC-57-BLK	Black	225.00
TC-57-RED	Red	225.00
TC-57-WHT	White	225.00
TC-57-BLU	Blue	225.00
TC-57-BRZ	Bronze	225.00
TC-57-GR	Green	225.00

## DASH COVER

Our Concours Quality dash covers are sewn as original with the French seams are located over the dash joint. Available in all original colors.

<b>1955</b>		
DC-55-56-BLK	Black	55.00
DC-55-RED	Red	55.00
DC-55-GR	Green	55.00
<b>1956</b>		
DC-55-56-BLK	Black	55.00
DC-56-R	Red	55.00
DC-56-BU	Buckskin Tan	55.00
DC-56-SG	Sage Green	55.00
DC-56-P	Peacock	55.00

## LEATHER DASH COVER

Our Leather Dash Covers are available in all of the above colors. When ordering just add a "L" to the end of the part number.

Leather Dash Cover	ea.	196.35
--------------------	-----	--------



## PADDED DASH

These padded dashes are an "Exact Reproduction" of the original only, with the new & improved technology of today, they actually fit!

04290-B	57, Blue	481.95
04290-D	57, Black	481.95
04290-E	57, White	481.95
04290-F	57, Red	481.95
04290-G	57, Green	481.95
04290-H	57, Bronze	481.95



04291-KR



APK-143

04291-KR	57, Padded dash front kit, 4 metal strips that screw to the front of the dash to dash metal shell. They prevent the front of the pad from shrinking away from under the lower moldings. "A Must" . . . 4 pcs.	13.95
	APK-143 - Attaches #04291-KR to dash shell . . .kit	2.95

**UPHOLSTERY TRIM & SEALER MANUAL**  
Shows how to install all upholstery as well as where to put under-seal as it was done at the factory!

L7	55/57	19.95
----	-------	-------



04104-BR-GRN

## SUN VISOR - PADDED TYPE

Our Concours Quality padded sun visors are made with the same quality vinyls so they match. They come with the small steady rest rod.

04104-AR	56, White	176.71
	<i>Note: All '56 visors were white.</i>	
04104-BR-WHT	57, White	176.71
04104-BR-RED	57, Red	176.71
04104-BR-BLU	57, Blue	176.71
04104-BR-GRN	57, Green	176.71
04104-BR-BRZ	57, Bronze	176.71



APK-11



04144

## SUN VISOR BRACKET & ARM

04144	56, RH	50.60
04145	56, LH	50.60
04144-BR	57, RH	50.60
04145-BR	57, LH	50.60

APK-11 - Attaches #04132 & #04144/5 . . . .8 pcs. - 2 sides 3.25



04105-CR



04132-R

04105-CR	56/57, Rod, chrome "S" shaped at end of visor, Included with visor . . . . .ea.	6.25
04132-R	56/57, Chrome steady rest clip, sun visor. 2 Req'd . . .ea.	23.95

**ACC-HR**      **ACC-HR-PRO**

## HOG RING & PLIERS KIT

Includes one set of quality pliers & 100 hog rings. Enough to do a complete set of seat covers!

**NOTE: IF YOU ARE NOT EXPERIENCED IN THE INSTALLATION OF T-BIRD SEAT COVERS, WE RECOMMEND THAT YOU HAVE A PROFESSIONAL AUTOMOTIVE TRIMMER DO**

### THE INSTALLATION.

ACC-HR	'Economy Grade' . . . .kit	16.95
ACC-HR-PRO	'Professional Grade' .kit	26.95

**LET US BE YOUR 'CLASSIC' FORD PARTS SUPPLIER**

**SERVICING ALL YOUR PARTS NEEDS FOR:**

✓'55-'57 THUNDERBIRD	✓'48-'72 FORD TRUCK
✓'58-'66 THUNDERBIRD	✓'60-'72 GALAXIE
✓'49-'59 'BIG FORD' CAR	✓'62-'72 FAIRLANE
✓'49-'56 MERCURY CAR	✓'68-'71 TORINO

## CARPET - The Best!

Whether you are doing an "Off the Frame" restoration or just "Sprucing up" your interior, you will get the most effect & "Bang for your Buck" by installing a new carpet!

**CHECK OUT THE CONCOURS QUALITY FEATURES!**

- ✓ NYLON LOOP CARPET
- ✓ CLOTH BINDING - AS ORIGINAL
- ✓ DIE-CUT HEEL & SIDE RUBBER PADS, CORRECT SIZE FOR YEAR AND MODEL
- ✓ CUT & SEWN - AS ORIGINAL, FOR EXACT FIT
- ✓ ORIGINAL MATCHING COLORS ARE AVAILABLE
- ✓ JUTE PADDING (OPTIONAL)

### 1955 AVAILABLE COLORS



BLACK RED TURQUOISE

### 1955

CP-55-BLK	Black	ea.	139.95
CP-55-RED	Red	ea.	139.95
CP-55-GR	Turquoise	ea.	139.95

### 1956 AVAILABLE COLORS



BLACK FIESTA RED BUCKSKIN



SAGE GREEN PEACOCK

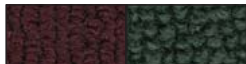
### 1956

CP-56-57-BLK	Black	ea.	139.95
CP-56-R	Fiesta Red	ea.	139.95
CP-56-BU	Buckskin Tan	ea.	139.95
CP-56-SG	Sage Green	ea.	139.95
CP-56-P	Peacock	ea.	139.95

### 1957 AVAILABLE COLORS



BLACK RED BLUE



BRONZE GREEN

### 1957

CP-56-57-BLK	Black	ea.	139.95
CP-57-RED	Burgundy Red	ea.	139.95
CP-57-BLU	Blue	ea.	139.95
CP-57-BRZ	Bronze	ea.	139.95
CP-57-GR	Green	ea.	139.95

## CARPET - BEHIND THE SEAT

We have a **Mid-Carpet** available, if you would like the area behind your seat carpeted! This carpet is available in the same colors as our standard carpet sold above.

### 1955

CPM-55-BLK	Black	ea.	75.00
CPM-55-RED	Red	ea.	75.00
CPM-55-GR	Turquoise	ea.	75.00

### 1956

CPM-56-57-BLK	Black	ea.	75.00
CPM-56-R	Fiesta Red	ea.	75.00
CPM-56-BU	Buckskin Tan	ea.	75.00
CPM-56-SG	Sage Green	ea.	75.00
CPM-56-P	Peacock	ea.	75.00

### 1957

CPM-56-57-BLK	Black	ea.	75.00
CPM-57-RED	Burgundy Red	ea.	75.00
CPM-57-BLU	Blue	ea.	75.00
CPM-57-BRZ	Bronze	ea.	75.00
CPM-57-GR	Green	ea.	75.00

## CARPETED TRUNK MAT

These carpeted trunk mats are a great looking alternative to the rubber trunk mats. The carpeting used in these mats is the same quality and color as the carpeting that we sell for the interior of your T-Bird!

### 1955

CTM-55-BK	Black	ea.	94.50
CTM-55-GN	Green	ea.	94.50
CTM-55-RD	Red	ea.	94.50

### 1956

CTM-56-BK	Black	ea.	94.50
CTM-56-GN	Green	ea.	94.50
CTM-56-RD	Red	ea.	94.50
CTM-56-BS	Buckskin	ea.	94.50
CTM-56-PK	Peacock	ea.	94.50

### 1957

CTM-57-BK	Black	ea.	94.50
CTM-57-GN	Green	ea.	94.50
CTM-57-RD	Red	ea.	94.50
CTM-57-BU	Blue	ea.	94.50
CTM-57-BZ	Bronze	ea.	94.50



A7-CPR

A7-C

DRESS IT UP WITH THESE GREAT LOOKING

THROW MATS!

Carpeted mats are available in **red** or **black** with matching binding. The "Thunderbird" embroidered logo is done in red, turquoise & 2 shades of silver!

A7-CPB	Black, with logo	set of 2	114.95
A7-CPR	Red, with logo	set of 2	114.95

Rubber mats with **White Thunderbird Emblem** are available in the following colors.

A7-A	55/57, Black	pr.	83.95
A7-B	55/57, Red	pr.	83.95
A7-C	55/57, Blue	pr.	83.95
A7-D	55/57, Aqua	pr.	83.95
A7-F	55/57, Willow Green	pr.	83.95



50001-K

50001-K	55/57, Tack strip kit	kit	21.95
	<b>APK-62 - Soft top tack strip screw kit</b>	<b>A MUST!</b>	<b>7.75</b>



514A01-R

514A00-R	55/57, RH, Wire on end	ea.	7.95
514A01-R	55/57, LH, Wire on end	ea.	7.95

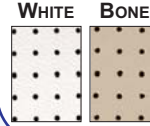
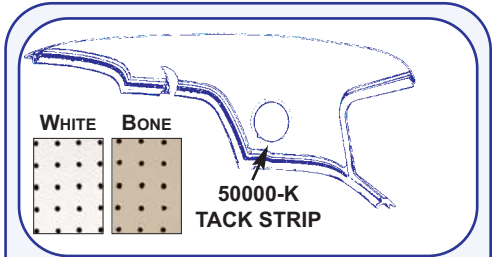


51276-R

53038-B

51276-R	55/57, Plate, soft top pads to frame	pr.	5.50
---------	--------------------------------------	-----	------

53038-B	55/57, Foam, soft top, header	ea.	7.95
---------	-------------------------------	-----	------



50000-K TACK STRIP

### 1955-1957 HEADLINER

White perforated vinyl & includes the border "Wire-on". Specify whether you have a 4 or 5 metal bow headliner.

**Note: 'Porthole' tops have 4 bow & '57 tops have 4 bow.**

51916-4B	4 bow, white color	kit	74.95
51916-4B-B	4 bow, 'bone' color	kit	74.95
51916-5B	5 bow, white color	kit	74.95
51916-5B-B	5 bow, 'bone' color	kit	74.95

50000-K	Headliner tack strip replacement kit	kit	19.95
	<b>APK-63 - Tack strip screw kit</b>		<b>7.95</b>



51930

51927-K

51927-K	Kit includes 2 wire-on end pieces & 4 corner pieces	kit	40.50
51928	End, headliner wire-on	ea.	2.95
51930	Corner, headliner wire-on	ea.	8.95



**ORDER ONLINE**  
**24 HRS A DAY / 7 DAYS A WEEK**  
**CONCOURS PARTS.COM**



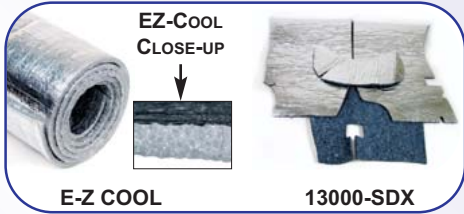
**THE ULTIMATE HEAT & NOISE REDUCTION KIT**

If you are replacing the carpet in your T-Bird, this kit will make it **BETTER THAN IT EVER WAS!**

**KIT INCLUDES:**

- 2 - 3' x 6' pcs. of #EZ-COOL  
For sound absorption & heat reduction.
- 1 - 3' x 6' pc. of #13000-JUTE  
For that plush padded feel under your feet.
- 1 - Spray Adhesive #P17  
Used to attach the EZ-COOL to the floor boards.

EZC-JUTE-K .....kit 69.95



**INSULATING/SOUND ABSORPTION**

**13000-JUTE** Jute is cloth batting type material that cushions under your carpet. **3' x 6' piece, Cut to Fit** .....ea. 17.95

**13000-SD** This is a tar-paper like material, like material used originally in your T-Bird, that goes under the jute pad for sound absorption . . .4 pcs. 59.95

**13000-SDX** This is a combination of a jute type material and aluminum sheeting, Better than jute alone for sound absorption .....kit 64.95

**E-Z-COOL** **YOUR BEST SOUND ABSORPTION OPTION**  
Made with Patented Low-E insulation. Blocks engine & road heat, deadens sound & reduces vibrations.  
*Two layers of 97% pure aluminum, reinforced with a poly-fiber center. For use in:*  
Floorboards (Under Jute Padding), Headliners, Door panels, Firewalls, Under Hoods and in the Trunk!  
**3' x 6' piece, Cut to Fit** . . .ea. 21.95  
**P17** Spray adhesive . . . . .ea. 24.95



**'55/'57 SOFT TOP RECOVERING KITS**

All soft top recovering kits include the Top Covering, rear window assembly, windlace strips, "wire-on" strips, window straps & cover for the #3 bow. They are available with two different types of material as explained below. All of our soft tops are "Concours Quality"

**STRAIGHT ZIPPER STYLE**

**#217-S** Straight zipper across the top of the back window. This is an exact reproduction of the original top as as used for '56 & '57 T-Birds.

**MATERIALS AVAILABLE**

**VINYL** This material is very durable & washable and was the original material Ford used for the T-Bird.

**CANVAS** 'STAYFAST' is the BEST canvas type material available. It is fade resistant and will hold its color under most normal driving and washing conditions. If you go to CTCI Concours, you will see this material on all of the top cars because it looks the best and is easy to keep up.

**217-S** **VINYL RECOVERING KIT**  
**COLOR COMBINATIONS AVAILABLE:**  
Black with black underside  
White with black underside  
White with tan underside . . . . 395.00

**217-S-SF** **CANVAS 'STAYFAST' RECOVERING KIT**  
**COLOR COMBINATIONS AVAILABLE:**  
Black with black underside  
Tan with tan underside  
Tan with black underside  
Blue with black underside  
Red with black underside  
Green with black underside . . 589.95



**'55/'57 EXCELLENT REPLACEMENT TOP AT A GREAT PRICE!**

A unique accessory available today is a replacement soft top. The quality of the final product is proof of the professional hand-crafted workmanship.

**FEATURES**

- All metal frame (Powder painted black or lasting durability)
- Comes with original style clamps & handles
- Replacement soft top for 1955 - 1957
- Zip down rear window like original
- Available in white or black vinyl (Optional canvas on special order)
- Configured like original soft top

\*51000-year-V-color  
**VINYL TOP;** Black or White . . . . .ea. \$2,495.00

\*51000-year-VS-color  
**VINYL TOP;** Black or White with swing arm listed below . . . . .ea. \$2,995.00

\*51000-year-C-color  
**CANVAS TOP;** Black, Tan or Dark Blue . \$2,795.00

\*51000-year-CS-color  
**CANVAS TOP;** Black, Tan or Dark Blue with swing arm listed below . . . . .ea. \$3,250.00

\*Note: Please supply year of car and color of top wanted in part number.

ACTUAL SHIPPING COSTS APPLY TO THE ABOVE TOPS.  
**CANVAS MADE OF STAYFAST® MATERIAL IS THE BEST AVAILABLE!**

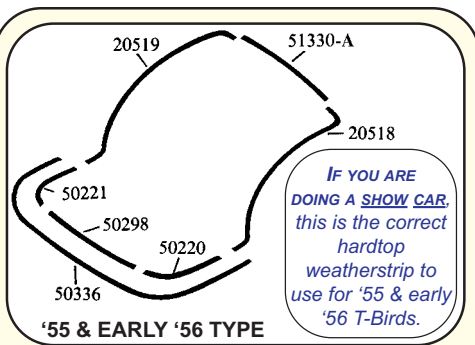
*THE ABOVE KITS ARE ALREADY DISCOUNTED, NO ADDITIONAL DISCOUNT MAY BE TAKEN.*



PHOTO COURTESY OF: GEOFF MCFADDEN



**ORDER ONLINE**  
**24 HRS A DAY/7 DAYS A WEEK**  
**CONCOURSPARTS.COM**

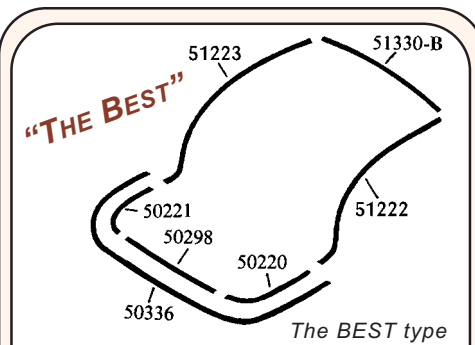


**IF YOU ARE DOING A SHOW CAR, this is the correct hardtop weatherstrip to use for '55 & early '56 T-Birds.**

**'55 & EARLY '56 TYPE HARDTOP WEATHERSTRIPS**

The '55 & early '56 weatherstrips over the door glass are entirely cloth covered, and they are "Dog-legged" both onto the windshield header and onto the rear deck.

- 51500-AK** Kit, complete set, 7 weatherstrips . . . . .kit 394.95  
*Note: The very early '55 hardtops had a hard rubber type weatherstrip that was glued into stainless steel troughs. This later type may be used by removing the troughs & drilling some holes.*
- APK-64-A - W/strip Screw kit** 8.95
- APK-65 - Hardtop Screw Kit, Stainless Moldings to Top .kit** 3.95
- 51330-A** Frt. header, 43-1/2" long . . . . . 93.95
- 20518** Over RH window, **cloth covered** . . . . .ea. 102.95
- 20519** Over LH window, **cloth covered** . . . . .ea. 102.95
- 50220** RH, curved on deck . . . . .ea. 44.95
- 50221** LH, curved on deck . . . . .ea. 44.95
- 50298** Center of deck . . . . .ea. 44.95
- 50336** Fits into stainless molding around bottom of hardtop .ea. 15.95



*The BEST type of hardtop weatherstrips!!*

**LATE '56 & '57 TYPE HARDTOP WEATHERSTRIPS**

The late '56 & '57 weatherstrips over the door glass have no cloth covering & are "Dog-legged" only on the rear deck.

- 51501-BK** Kit, complete set, 7 weatherstrips . . . . .kit 394.95
- APK-64-A - W/strip Screw kit** 8.95
- APK-65 - Hardtop Screw Kit, Stainless Moldings to top . . . . .** 3.95
- 51330-B** Front header, 54" long . . . . .ea. 93.95
- 51222** Over RH window . . . . .ea. 103.96
- 51223** Over LH window . . . . .ea. 103.96
- 50220** RH, curved on deck . . . . .ea. 44.95
- 50221** LH, curved on deck . . . . .ea. 44.95
- 50298** Center of deck . . . . .ea. 44.95
- 50336** Fits into stainless molding around bottom of hardtop .ea. 15.95

**For '55 & early '56 T-Birds, if you are just restoring your car for NON-SHOW PURPOSES, these are the better weatherstrips to use!**

**The 'Wing Rider'**

- o 2 cup holders
- o Easy access storage compartment
- o Installs and Removes in seconds

\*WR-year-color (i.e. WR-56-RED) . . . .ea. 224.95

**The 'Plug & Chug'**

Turn your ash tray into a drink holder! Uses the standard ash tray mounting brackets to hold it in place. An easy way to hold your drinks!

\*CH-year-color (i.e. CH-56-RED) . . . . .ea. 52.50

\*COLORS AVAILABLE:

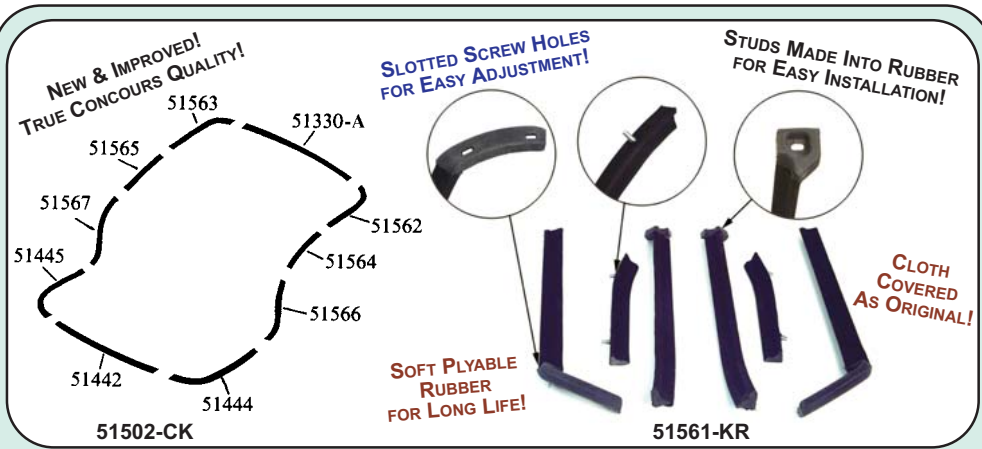
'55	'56	'57
Red	Red	Red
White	White	White
Black	Black	Black
	Peacock	Blue

**TOTE BAGS**

We offer tote bags in the same high quality vinyl and available in the same colors as our upholstery!

THESE BAGS ARE A NICE WAY TO ACCENT THE INTERIOR OF YOUR CAR AND GREAT FOR EVERYDAY USE!

- AVAILABLE IN:**
- 1955 - Black/Wht, Green/Wht, Red/Wht & Yellow/Blk
  - 1956 - Black/Wht, Buckskin/Wht, Green/Wht, Peacock/Wht & Red/Wht
  - 1957 - Black/Wht, Two-Tone Blue, Bronze, Two-Tone Green, Red & Wht
- TB-year-color (i.e. TB-57-Br - '57 Bronze) . . . 45.00



**SOFT TOP WEATHERSTRIPS**

Concours Parts has been making the best hardtop weatherstrips for 25 years. Now we have decided to make our own soft top weatherstrips as well. Manufactured to the same high quality standards as the hardtop weatherstrips.

**THE QUALITY OF THESE WEATHERSTRIPS IS FAR AND ABOVE THAT OF ANY OF OUR COMPETITORS!**  
**We can now offer you the very best weatherstrips for your hardtop and your soft top!**

- 51502-CK** Kit, Complete Set, 10 weatherstrips . . . . .kit 394.95
- APK-66 - Screw Kit, W/straps to top of frame . . . . .kit** 16.95

- 51330-A** Frt. header, 43-1/2" long . . . . . 93.95
- 51562\*** RH, Side rail, front
- 51563\*** LH, Side rail, front
- 51564\*** RH, Side rail, center
- 51565\*** LH, Side rail, center
- 51566\*** RH, Side rail, rear
- 51567\*** LH, Side rail, rear
- 51442** Rear, center of deck . . . . .ea. 48.95
- 51444** RH, Rear, curved on deck .ea. 48.95
- 51445** LH, Rear, curved on deck .ea. 48.95

**51561-KR\* Set of 6 \$207.72**



PHOTO COURTESY OF: SCOTT MAHONEY

# EXTERIOR CHROME TRIM KIT

Our Concours Quality Exterior Chrome Trim Kits are a great way to save money, as well as making sure you don't forget anything!



## 1955

### KIT INCLUDES THE FOLLOWING:

- ✓ 1 #16228 RH "Hashmark"
- ✓ 1 #16229 LH "Hashmark"
- ✓ 2 #25622 "Thunderbird" Script
- ✓ 2 #42550-R Cross Flags
- ✓ 2 #16237-R "Y-8" Emblems
- ✓ 2 #22400/1-RK Outside Door Handles
- ✓ 2 #25662 Ford Medallion
- ✓ 2 #25666 Medallion Retainer
- ✓ 1 #16607-R Hood Opening Grill
- ✓ 1 #43603-AR Trunk Lock Sleeve
- ✓ All APK Hardware Kits to Attach the Above Listed Parts.

55-ECK ..... 424.95



## 1956

### KIT INCLUDES THE FOLLOWING:

- ✓ 1 #16228 RH "Hashmark"
- ✓ 1 #16229 LH "Hashmark"
- ✓ 2 #25622 "Thunderbird" Script
- ✓ 2 #22400/1-RK Outside Door Handles
- ✓ 2 #25662 Ford Medallion
- ✓ 2 #25666 Medallion Retainer
- ✓ 1 #16607-R Hood Opening Grill
- ✓ 1 #43603-AR Trunk Lock Sleeve
- ✓ 1 #8218 Upper Grill Nameplate
- ✓ 1 #8219 Grill Ornament Foam
- ✓ 1 #8259 Grill Ornament
- ✓ All APK Hardware Kits to Attach the Above Listed Parts.

56-ECK ..... 409.95



## 1957

### KIT INCLUDES THE FOLLOWING:

- ✓ 1 #16228 RH "Hashmark"
- ✓ 1 #16229 LH "Hashmark"
- ✓ 2 #16098 "Thunderbird" Script
- ✓ 2 #22400/1-RK Outside Door Handles
- ✓ 1 #16607-R Hood Opening Grill
- ✓ 1 #43500-R Trunk Handle
- ✓ 1 #42530-R Trunk Handle Insert
- ✓ 1 #43603-BR Trunk Lock Sleeve
- ✓ 1 #8218 Upper Grill Nameplate
- ✓ 1 #8219 Grill Ornament Foam
- ✓ 1 #8259 Grill Ornament
- ✓ All APK Hardware Kits to Attach the Above Listed Parts.

57-ECK ..... 364.95



3510-K55

### '55 STEERING COLUMN CHROME KIT

#### KIT INCLUDES THE FOLLOWING:

- #3511-A, Steering column hub
- #3526-A, Steering col. adj. sleeve
- #3669-A, Steering column collar
- #3A673, Horseshoe collar

3510-K55 55 .....kit 199.50



### INDIVIDUAL STEERING COLUMN PIECES

3511-A	55, Steering column hub . . . .	49.95
3511-B	56/57, Steering column hub . .	49.95
3526-A	55, Steering column adjusting sleeve . . . . .	59.95
3526-B	56/57, Steering column adjusting sleeve . . . . .	59.95
3669-A	55, Steering column collar . . .	47.50
3669-B	56/57, Steering column collar	47.50
3A673	55/57, Horseshoe collar . . . .	49.95



3510-K5657

### '56/'57 STEERING COLUMN CHROME KIT

#### KIT INCLUDES THE FOLLOWING:

- #3511-B, Steering column hub
- #3526-B, Steering col. adj. sleeve
- #3669-B, Steering column collar
- #3A673, Horseshoe collar

3510-K5657 56/57 .....kit 199.50



Now Available  
for use with  
R134

### '55/'57 AIR CONDITIONING SYSTEM

This kit includes all necessary parts to install Air Conditioning on 55/57 Thunderbirds with 12 Volt electrical systems.

Our kits use the rotary type compressor to eliminate vibration!

#### GUARANTEED TO KEEP YOU COOL!

A9	Uses R12 refrigerant . . . . .	995.00
A9-134	Uses R134 refrigerant . . . . .	1049.50

**THE ABOVE A/C KITS ARE ALREADY DISCOUNTED,  
No ADDITIONAL DISCOUNT MAY BE TAKEN**



# THUNDERBIRD 'ORIGINAL STYLE'

12 VOLT - AM/FM STEREO - BLUETOOTH RADIO



## '55 'ORIGINAL STYLE' AM/FM STEREO BLUETOOTH RADIO WITH JACK FOR MP3/iPOD PLAYER

Chrome-plated die-cast dash plate & chrome-plated buttons.

- 180 watts RMS (45 watts x 4 speakers)
- Digitally tuned receiver with analog display.
- 3 RCA jacks for left & right channels and sub-woofer line out.
- 3.5 mm jack for input from iPod, satellite radio or MP3 player.
- Uses original antenna, but **do not use original speakers.**
- Switch selectable for North America or Europe mode.

**B5S-18805** 55, 12v, AM/FM with Aux. for MP3/iPod player . . . . . 687.50



## '56/'57 TOWN & COUNTRY 'ORIGINAL STYLE' AM/FM STEREO BLUETOOTH RADIO WITH JACK FOR MP3/iPOD PLAYER

Chrome-plated die-cast dash plate & Town & Country buttons look all original. Town & Country buttons duplicate the action of the original buttons.

- 180 watts RMS (45 watts x 4 speakers)
- Digitally tuned receiver with analog display.
- 3 RCA jacks for left & right channels and sub-woofer line out.
- 3.5 mm jack for input from iPod, satellite radio or MP3 player.
- Uses original antenna, but **do not use original speakers.**
- Switch selectable for North America or Europe mode.

**B7S-18805-TC** 56/57, Town & Country with Aux. for MP3 player . . . . . 803.00

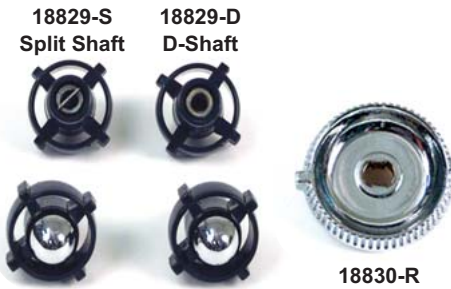


## 300 SERIES

This radio is made to fit into the dash in the original opening! You do not have to modify your T-bird in any way!

- AM/FM
- Front USB Port & miniSD slot,
- Separate Bass & Treble
- 4-Way Fader
- 12 Presets (6FM/6AM)
- Manual Tuning -Seek & Scan
- Bluetooth Wireless Streaming
- Rear RCA Inputs,
- RCA Pre-outs
- Power Antenna Lead,
- LCD with Blue illumination
- 200 Watts (50x4)

**KHE-300-C** 55/57, 12V, Chrome face . . . . . 289.95



## RADIO KNOB

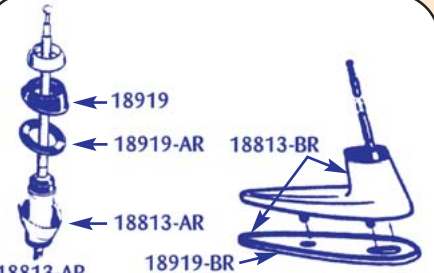
- 18829-D** 55/57, "D" shaft type . . . .ea. 15.95
- 18829-S** 55/57, "Split" shaft type .ea. 15.95
- 18830-R** 55/57, Radio tuner bezel .ea. 11.35



SP-1

## DUAL 4" DASH SPEAKER

- SP-1** 55/57, Mounts in the orig. location in the dash!  
**A must for radios** . . . . . 49.95
- SP-1-P** Same as above, but has two **Kenwood 4" 2-way** speakers . . . . . 99.95



'55/'57 COWL MOUNT

'57 TRUNK MOUNT



18813-AR



18813-BR

- 18813-AR** 55/57, Cowl Mount Antenna with "ring", **As Original.** Includes #18919 plastic base & #18919-AR rubber pad. **MADE WITH STAINLESS STEEL MAST** . . . . .kit 58.50
- 18813-BR** 57, Rear Deck Mount Antenna, **Concours Quality reproduction** with all necessary parts . . . . . 94.95



- 18919** 55/57, Stanchion, cowl mount antenna . . . . .ea. 10.95
- 18919-AR** 55/57, Pad, antenna mounting to cowl . . . . .ea. 2.85
- 18919-BR** 57, Pad, antenna mounting to rear deck . . .ea. 6.50



**CAR COVER**

- A2-A 55/57, Soft/Water repellent .. 209.95
- A2-B 55/57, Soft/Water repellent with soft flannel underside .. 240.19



A1



A5

- A1 **Top Hoist** - 55/57, Hang your hardtop from overhead ...ea. 75.00

- A5 **Transmission Lock** - 55/57, Fits into the slot of the Fordomatic shift housing & prevents the removal from "park" position .....ea. 29.50

- A6 **Rear Deck Protector** - 55/57, Clear, die cut vinyl film that protects paint where the hardtop or soft top meet the rear deck. Attached by "static cling" so they are easy to remove ..... 21.50



A8-A

**1955-1957 SEAT BELTS**

**Replacement** - Chrome metal to metal buckle with "eye-bolt" hardware kit.

- A8-A Black .....per person 44.95
- A8-C Brown .....per person 44.95
- A8-D White .....per person 44.95
- A8-DB Dark Blue .....per person 44.95
- A8-E 55 & 57, Red .....per person 44.95
- A8-H Peacock .....per person 44.95
- A8-G 56, Sage Green .....pair only Inq.
- A8-J 57, Green .....pair only 93.59
- A8-S Silver/Grey .....per person 44.95
- A8-T 56, Fiesta Red .....per person 44.95

*Note: Inquire on other colors.*



A8-AE

**Economy** - Metal to metal buckle with plastic cover and button release.

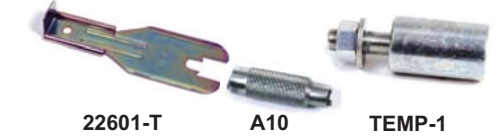
- A8-AE 55/57, Black .....per person 27.95



RIV-1

HUB-1

ANT-1



22601-T

A10

TEMP-1



BJT-1

HEAT-1

**SPECIALIZED TOOLS**

- RIV-1 The correct tool to use when installing glass runs ..... 15.95
- HUB-1 Used to install grease dust cap ..... 13.50
- ANT-1 Safely install & remove chrome nut from antenna ... 10.95
- 22601-T Used to safely remove your door handles ..... 10.95
- TEMP-1 55/56, Needed to remove your temp sensor adapter ... 15.00
- TEMP-2 57, Needed to remove your temp sensor adapter ..... 15.00
- A10 Use to easily remove your dash bezels ..... 6.95
- BJT-1 Lower ball joint removal tool . 17.95
- HEAT-1 56/57, Choqe tube removal tool 12.95

*Specialized Tools Above Cannot Be RETURNED!*



55-WK

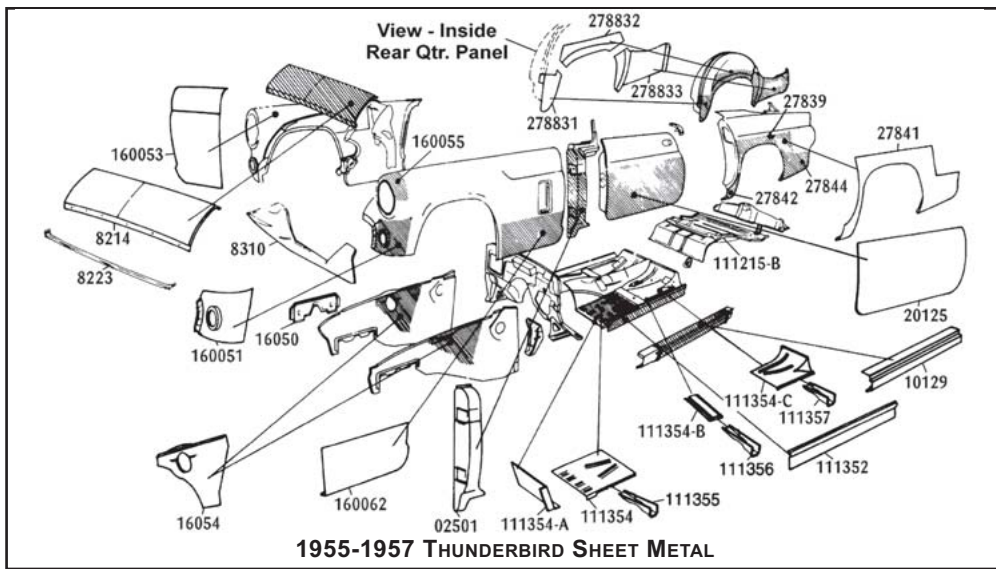
**WEATHERSTRIP KIT  
SEALS & GASKETS**

IF YOU ARE REPAINTING YOUR T-BIRD, OR JUST WANT TO "SPRUCE" IT UP, THIS KIT IS A MUST! IT INCLUDES ALL THE USUAL WEATHERSTRIPS & GASKETS THAT ARE NEEDED, AND, IT SAVES YOU MONEY!

55-WK	1955	169.95
INCLUDES THE FOLLOWING:		
✓1 PR.	#20530/31	Door Weatherstrips
✓2	#20570	"Dogleg" Weatherstrips
✓1	#43720-A	Trunk Weatherstrip
✓1 SET	#22427-K	Door Handle Pads (4)
✓2	#22478	Door Handle Button Seal
✓1	#18919-AR	Antenna Pad
✓1	#43625-AR	Trunk Lock Pad
✓1	#17696-CR	O.S. Mirror Gasket
✓2	#13217-A	Park Lamp Pad
✓2	#13211-AR	Park Lamp Lens Gasket
✓2	#13420-AR	Tail Lamp Pad
✓2	#13461-AR	Tail Lamp Lens Gasket
✓2	#15533-AR	Back-up Lamp Pad
✓2	#15510-AR	Back-up Lamp Lens Gasket
✓1 PR.	#40629-AR	Gas Door Bumpers
✓1	#9080-R	Gas Filler Neck Grommet
✓1	#16740-AR	Hood Pad
✓2	#17541-R	W/shield Wiper Pivot Gaskets
✓1 PR.	#17666-AR	W/shield Washer Nozzle Seal
✓1 PR.	#50534-R	Deck Plate Gaskets
✓2	#20330	Door Pillar Weatherstrip
✓2	#18912-D	Grommet, Door Dogleg

56-WK	1956	189.95
INCLUDES THE FOLLOWING:		
✓1 PR.	#20530/31	Door Weatherstrips
✓2	#20570	"Dogleg" Weatherstrips
✓1	#43720-A	Trunk Weatherstrip
✓1 SET	#22427-K	Door Handle Pads (4)
✓2	#22478	Door Handle Button Seal
✓1	#18919-A	Antenna Pad
✓1	#43625-AR	Trunk Lock Pad
✓1	#17696-CR	O.S. Mirror Gasket
✓2	#13217-A	Park Lamp Pad
✓2	#13211-AR	Park Lamp Lens Gasket
✓2	#13420-AR	Tail Lamp Pad
✓2	#13461-BR	Tail Lamp Lens Gasket
✓2	#15533-CR	Back-up Lamp Pad
✓2	#15510-BR	Back-up Lamp Lens Gasket
✓1 PR.	#40629-AR	Gas Door Bumpers
✓1	#9080-R	Gas Filler Neck Grommet
✓1	#16740-BR	Hood Pad
✓1	#16758-AR	Kit, Hood Bumpers
✓2	#17541-R	W/shield Wiper Pivot Gaskets
✓1 PR.	#17666-AR	W/shield Washer Nozzle Seal
✓1 PR.	#50534-R	Deck Plate Gaskets
✓2	#02158-R	"Molded" Cowl Vent Seals
✓2	#18912-D	Grommet, Door Dogleg
✓2	#20330	Door Pillar Weatherstrip

57-WK	1957	189.95
INCLUDES THE FOLLOWING:		
✓1 PR.	#20530/31	Door Weatherstrips
✓2	#20570	"Dogleg" Weatherstrips
✓1	#43720-B	Trunk Weatherstrip
✓1 SET	#22427-K	Door Handle Pads (4)
✓2	#22478	Door Handle Button Seal
✓1	#18919-A	Antenna Pad
✓1	#43625-BR	Trunk Lock Pad
✓1	#17696-CR	O.S. Mirror Gasket
✓2	#13217-BR	Park Lamp Pad
✓2	#13211-BR	Park Lamp Lens Gasket
✓2	#13420-BR	Tail Lamp Pad
✓2	#13461-CR	Tail Lamp Lens Gasket
✓1 PR.	#40629-BR	Gas Door Bumpers
✓1	#16740-BR	Hood Pad
✓2	#17541-R	W/shield Wiper Pivot Gaskets
✓1 PR.	#17666-AR	W/shield Washer Nozzle Seal
✓1 PR.	#50534-R	Deck Plate Gaskets
✓2	#20330	Door Pillar Weatherstrip
✓2	#18912-D	Grommet, Door Dogleg
✓2	#02158-R	"Molded" Cowl Vent Seals
✓1	#17808-B	Rear Stone Deflector
✓1	#16758-BR	Kit, Hood Bumpers



- 111355-R-L** 55/57, Front floor brace, LH or RH, 2 Req'd . . . . . 55.00
- 111356-R-L** 55/57, Center floor brace, LH or RH, 2 Req'd . . . . . 55.00
- 111357-R-L** 55/57, Rear floor brace, LH or RH, 2 Req'd . . . . . 55.00



- 160061-L-55** 55/56, RH, front fender at park lamp, with lip for grille corner molding & park lamp retainer plate . . . . . 115.00
- 160061-L-55** 55/56, LH, As above . . . . . 115.00
- 160051-R-57** 57, RH, Front fender at park light, . . . . . 95.00
- 160061-L-57** 57, LH, Front fender at park light . . . . . 95.00
- 160054-R** 55/57, RH, Top of fender & headlamp bucket flange . . . . 149.95
- 160055-L** 55/57, LH, Top of fender & headlamp bucket flange . . . . 149.95



**8214**



**8223**

- 8214** 55/57, Nose panel, outer skin 425.00  
*Note: Does not include #8223 or #8327.*
- 8223** 55/57, Panel, upper grill panel reinforcement, incl. welded in nuts to fasten top of grille . . . 139.95



**02501-L**

- 02500-R** 55/57, RH, Door post repair . . . 114.95
- 02501-L** 55/57, LH, Door post repair . . . 114.95
- 160054-R** 55/57, RH, Top of fender & headlamp bucket flange . . . . 149.95
- 160055-L** 55/57, LH, Top of fender & headlamp bucket flange . . . . 149.95

**GENUINE FORD**

**NEW OLD STOCK!**

**10129-NOS**

**OUTSIDE ROCKER PANELS**

**LIMITED SUPPLY!! Genuine Ford - New Old Stock Rocker Panels!**

<b>10128-NOS</b>	55/57, RH . . . . . ea.	Inq.	
<b>10129-NOS</b>	55/57, LH . . . . . ea.	Inq.	



**111215-B**

- 111215-A** 55, Trunk floor panel, Flat section of trunk floor . . . . 424.95
- 111215-B** 56, Trunk floor panel, Flat section of trunk floor . . . . 424.95



**16053-L-55**

**16053-L-56**

- 16053-R-55** 55, RH, Kick panel repair . . . 125.00
- 16053-R-56** 56/57, RH, Kick panel repair . . . 160.00
- 16053-L-55** 55, LH, Kick panel repair . . . 125.00
- 16053-L-56** 56/57, LH, Kick panel repair . . . 160.00



**10129-L**

- 10128-R** 55/57, RH, Outer rocker, 34-1/2" long, incl. drain holes . . . . . 82.00
- 10129-L** 55/57, LH, Outer rocker, 34 1/2" long, incl. drain holes . . . . . 82.00



**111352-L**

- 111351-R** 55/57, RH, Inner rocker, 44-1/2" x 5-1/2" . . . . . 72.50
- 111352-L** 55/57, LH, Inner rocker, 44-1/2" x 5-1/2" . . . . . 72.50



- |                   |  |        |  |
|-------------------|--|--------|--|
| <b>111353-A-R</b> | 55/57, RH, Sloping firewall . . .  | 72.50  |  |
| <b>111354-A-L</b> | 55/57, LH, Sloping firewall . . .  | 72.50  |  |
| <b>111353-R</b>   | 55/57, RH, Frt. floor section . .  | 149.95 |  |
| <b>111354-L</b>   | 55/57, LH, Frt. floor section . .  | 149.95 |  |
| <b>111353-B-R</b> | 55/57, RH, Center floor section, 5-1/2" x 22" . . . . .  | 74.95  |  |
| <b>111354-B-L</b> | 55/57, LH, Center floor section, 5-1/2" x 22" . . . . .  | 74.95  |  |
| <b>111353-C-R</b> | 55/57, RH, Rear floor section; Full panel includes portion that curves up & corner piece . . . . . | 125.00 |  |
| <b>111354-C-L</b> | 55/57, LH, Rear floor section; Full panel includes portion that curves up & corner piece . . . . . | 125.00 |  |



160062-L



160053-R-55



160053-R-56/57

- 160052-R 55/57, RH, Front fender rear bottom, 12" high . . . . . 79.95
- 160062-L 55/57, LH, Front fender rear bottom, 12" high . . . . . 79.95
- 160053-R-55 55, RH, Front fender rear, 20-1/2" wide . . . . . 259.95
- 160063-L-55 55, LH, Front fender rear, 20-1/2" wide . . . . . 259.95
- 160053-R-56/57 56/57, RH, Front fender rear, 20-1/2" wide . . . . . 299.95
- 160063-L-56/57 56/57, LH, Front fender rear, 20-1/2" wide . . . . . 299.95



16054-R



16055-L

- 16054-R 55/57, RH, Inner fender panel repair section . . . . . 99.50
- 16055-L 55/57, LH, Inner fender panel repair section . . . . . 99.50



20125-L

- 20124-R 55/57, RH, Lower door skin, 14" x 42" . . . . . 120.00
- 20125-L 55/57, LH, Lower door skin, 14" x 42" . . . . . 120.00



27841-L

- 27840-R 55/57, RH, Quarter outer lower panel repair . . . . . 269.95
- 27841-L 55/57, LH, Quarter outer lower panel repair . . . . . 269.95



27839-L

- 27838-R 55/57, RH, Qtr. panel outside top cap, above wheel opening . . . . . 65.00
  - 27839-L 55/57, LH, Qtr. panel outside top cap, above wheel opening . . . . . 65.00
- Note: Also part of #27840/1.*



27843-L

- 27842-R 55/57, RH, Quarter panel bottom front, 15" high . . . . . 72.50
  - 27843-L 55/57, LH, Quarter panel bottom front, 15" high . . . . . 72.50
- Note: Also part of #27840/1.*



27845-L

- 27844-R 55/57, RH, 1/4 panel bottom rear, outer, 10"-13" high . . . . . 112.50
  - 27845-L 55/57, LH, 1/4 panel bottom rear, outer, 10"-13" high . . . . . 112.50
- Note: Also part of #27840-1.*



8104-FR

8105-FR

- 8104-FR 55/57, RH, Deflector, radiator side air, fiberglass repro . . . . . 122.50
- 8105-FR 55/57, LH, Deflector, radiator side air, fiberglass repro . . . . . 122.50



278831-L

- 278821-R 55/57, RH, Wheelhouse lower front, inner . . . . . 65.00
- 278831-L 55/57, LH, Wheelhouse lower front, inner . . . . . 65.00



278832-L

- 278822-R 55/57, RH, Wheelhouse top cap, inner . . . . . 55.00
- 278832-L 55/57, LH, Wheelhouse top cap, inner . . . . . 55.00



278833-L-55



278833-L-56



278833-L-57

- 278823-R-55 55, RH, Wheelhouse extension, inner . . . . . 135.00
- 278833-L-55 55, LH, Wheelhouse extension, inner . . . . . 135.00
- 278823-R-56 56, RH, Wheelhouse extension, inner . . . . . 135.00
- 278833-L-56 56, LH, Wheelhouse extension, inner . . . . . 135.00
- 278823-R-57 57, RH, Wheelhouse extension, inner . . . . . 135.00
- 278833-L-57 57, LH, Wheelhouse extension, inner . . . . . 135.00



278800

- 278800 57, Rear trunk floor brace ends, 29" long, half the trunk floor . . . . .ea. 99.95

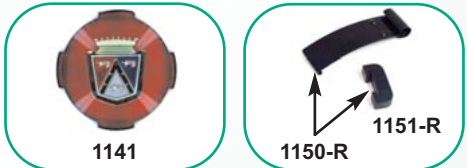


**ORDER ONLINE**  
**24 HRS A DAY/7 DAYS A WEEK**  
**CONCOURSEPARTS.COM**



**WHEEL COVERS & HUB CAPS**

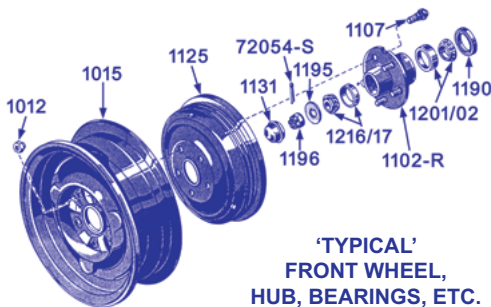
- 1130-AK** 55/56, Wheel cover, 15", includes #1141 red Ford Crest medallion, As Req'd . . . 109.73
  - 1130-BR\*** 55/56, Simulated wire wheel cover, 15" . . . . . 106.27
  - 1130-E\*** 55/56, Simulated wire wheel cover, 15", **New design**, No attaching clips req'd for mounting . . . . 154.95
  - 1130-C** 57, Wheel cover, 14" . . . .ea. 144.95
  - 1130-R\*** 55, Hub cap, 10" with **red** painted center; also used in conjunction w/ #1130-BR . . 45.79
  - 1130-W\*** 56, Hub cap, 10" w/ **white** painted center . . . . .ea. 45.79
- \*Note: Also incl. in #1130-K kit.*



- 1141** 55/56, Red plastic center with Ford Crest, wheel cover medallion . . . . .ea. 24.10
- Note: These are included with #1130-A wheel covers.*
- 1150-R** 55/56, Clip, simulated wire wheel cover retaining; (includes #1151-R rubber) 5 per wheel Req'd . . . . .ea. 4.70
- 1151-R** 55/56, Rubber bumper, for #1150-R clip . . . . .ea. .65
- Note: These are included in #1150-R clip.*



- 1132-R** 56, Wheel cover removal tool. **A MUST** for removing the wheel cover from '56 Continental kit! . . . . . 11.95



**'TYPICAL' FRONT WHEEL, HUB, BEARINGS, ETC.**



**1012-K**

- 1012** 55/57, Wheel nut . . . . .ea. .99
- 1012-K** 55/57, Wheel nut kit . .20 nuts 12.95



**1107**

- 1107** 55/57, Stud, wheel, front/rear 1.95



**'TYPICAL' 1015**

- 1015 WHEEL**
- 1015-AU** 55/56, 15", Used, original . . . . .Inq.
- 1015-BU** 57, 14", Used, original . . . .ea. .Inq.



**1015**

**CHROME WIRE WHEEL & SPINNER CAP**

Give your Little Bird the same look as the later Big Bird Roadsters had! Dress it up with a set of chrome wire wheels! Centers available in a choice of black, red, blue, green or chrome (no emblem).

- 1015-15** 55/56, 15" . . . . .set of 4 2299.95
- 1015-14x5** 57, 14" . . . . .set of 4 2299.95
- Indiv. wheels, w/ hub cap . . . . .Inq.*
- Note: Our wheels come with "Recessed" spinner type hub caps at no extra charge. These type of hub caps are needed to make sure your wheels clear your fender skirts.*
- THESE ARE FOR TUBE TYPE TIRES.*

*SHIPPING IS APPROX. \$150.00 A SET & NO ADDITIONAL DISCOUNT ON THE ABOVE SETS*



**1102-RK**

**KIT - FRONT HUB**

**INCLUDES THE FOLLOWING:**

- #1102-R, HUB
- #1131, DUSTCAP
- #1190, SEAL
- #1201, BEARING; INNER
- #1216, BEARING; OUTER

- 1102-RK** 55/57 . . . . .kit 124.95

**INDIVIDUAL PARTS IN ABOVE KIT**

- 1102-R** Hub, front wheel, includes inner & outer races . . . . .ea. 99.95
- 1131** Dust cap, front wheel bearing. 2 Req'd . . . . .ea. 2.95
- 1190** Seal, front wheel bearing. 2 Req'd . . . . .ea. 3.95
- 1201/02** Bearing & cup, front hub - inner . . . . .set 11.35
- 1216/17** Bearing & cup, front hub - outer . . . . .set 11.70
- 72054-S** Cotter key . . . . .ea. .20



**1125-AR**

**1126-AR**

**1125 BRAKE DRUM - FRONT**

- 1125-AR** 55/56 (without hub) . . . . .ea. 139.50
- 1125-BR** 57 (without hub) . . . . .ea. 139.50

**1126 BRAKE DRUM - REAR**

- 1126-AR** 55/56 . . . . .ea. 139.50
- 1126-BR** 57 . . . . .ea. 139.50



**1131**

**HUB-1**

- 1131** 55/57, Dust cap, front wheel bearing. 2 Req'd . . . . .ea. 2.95
- HUB-1** 55/57, Used to install #1131 grease dust caps . . . . .ea. 13.50



**1190**

**1193-R**

**B7A-1193-A**

- 1190\*** 55/57, Seal, front wheel bearing, 2 Req'd . . . . .ea. 3.95
- 1193-R\*** 55/56, Gasket, front backing plate. 2 Req'd . . . . .ea. .99
- B7A-1193-A\*** 57, Gasket, front backing plate, 2 Req'd . . . . .ea. 1.95
- \*72054-S - Cotter key . . . . .ea. .20*





**NO NEED FOR CLIPS!**  
**Made With Teeth That**  
**Actually Grip On Your Rim!**

**SIMULATED WIRE WHEEL COVER KIT**

*(No Clips Needed For Installation!)*

DRESS IT UP! '55 & '56 owners can now add accessory simulated wire wheel covers to your classic T-Bird. And your wire wheel cover!

**WITH THIS NEW DESIGN THE WIRE WHEEL**

**SNAPS DIRECTLY ON THE RIM WITHOUT ANY CLIPS!** Each kit comes with either 4 or 5 10" hubcaps and the new "NO CLIP" wire wheel covers.

Wheel covers are made with a hole punched in them for the valve stem.

- 1130-FRK-55-4** 55/56, Set of four-**red** center . . . . .set 739.95
- 1130-FRK-55-5** 55/56, Set of five-**red** center . . . . .set 919.95
- 1130-GRK-56-4** 55/56, Set of four-**white** center . . . . .set 739.95
- 1130-GRK-56-5** 55/56, Set of five-**white** center . . . . .set 919.95



**1130-DRK-55-4**

**SIMULATED WIRE WHEEL COVER KIT**

DRESS IT UP! '55 & '56 owners can now add these "authentic" Bird accessory simulated wire wheel covers to your classic T-Bird!

**Our Concours quality reproduction** of this desirable Bird accessory wheel cover comes complete with wire wheel covers, 10" button hub caps, attaching clips, and instructions.

**NOTE: IF YOUR CAR HAS "RADIAL TIRES", DEFLATE AS NECESSARY BEFORE ATTEMPTING TO INSTALL CLIPS.**

- 1130-DRK-55-4** 55/56, Set of four with 20 clips-**red** center . . .set 509.95
- 1130-DRK-55-5** 55/56, Set of five with 25 clips-**red** center . . .set 638.47
- 1130-ERK-56-4** 55/56, Set of four with 20 clips-**white** center .set 509.95
- 1130-ERK-56-5** 55/56, Set of five with 25 clips-**white** center .set 638.47



**1195**



**1196**

- 1195** 55/57, Spindle washer . . .ea. 8.95
- 1196** 55/57, Spindle nut . . . . .ea. 6.95



**1200-K**

**FRONT HUB BEARING & SEAL OVERHAUL**

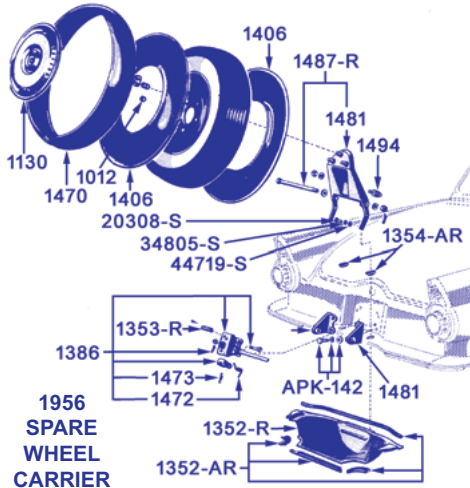
INCLUDES 2 EACH OF THE FOLLOWING:

- #1131, *Dustcap*
- #1190, *Seal*
- #1193, *Gasket*
- #1201/2, *Bearing & cup; Inner*
- #1216/7, *Bearing & cup; Outer*
- #72054-S, *Cotter key*

**1200-K** 55/57 . . . . .16 pcs. 56.95

INDIVIDUAL PARTS IN ABOVE KIT

- 1131** Dust cap, front wheel bearing. 2 Req'd . . . . .ea. 2.95
- 1190** Seal, front wheel bearing. 2 Req'd . . . . .ea. 3.95
- 1193-R** Gasket, front backing plate. 2 Req'd . . . . .ea. .99
- 1201/02** Bearing & cup, front hub - inner . . . . .set 11.35
- 1216/17** Bearing & cup, front hub - outer . . . . .set 11.70
- 72054-S** Cotter key. 2 Req'd . . . . .ea. .20



**1352-R**

- 1352-R** 56, Stone guard, spare wheel; A quality fiberglass reproduction . . . . .ea. 164.95
- Note: Does not include #1352-AR seals.**



**1352-AR**

- 1352-AR** 56, Seal kit, spare wheel stone guard. Includes all rubber seals on #1352-R stone guard . . . . .kit 18.15
- Note: This seal kit is also included in "Master" seal & bumper kit #1355-K.**



**1353-R**



**1354-AR**

- 1353-R** 56, Bumper, spare wheel hinge . . . . .ea. 5.75
  - 1354-AR** 56, Grommet, spare wheel hinge . . . . .set of 2 10.07
- Note: Also included in #1355-K kit.**
- Note: Also included in #1355-K kit.**



**1355-K**

- 1355-K** 56, Master seal and grommet kit; Continental kit, tire mounting; Includes #1352-AR - seal kit, #1354-AR - grommet kit and #1353-R - bumper . . .kit 30.95

- 1386-R** 56, Lever assembly, Continental kit, latch, "steel", As Original . . . . .ea. 154.95
- 1386-CR** 56, Lever assembly, Continental kit, latch, aluminum, "Replacement Type" . . . . .ea. 134.95



'TYPICAL' 1406



**1470-SS**

- 1406** **TIRE COVER - 'DO-NUT' - 1956 SPARE WHEEL**
  - 1406-CR\*** "Steel" Concours quality reproduction with "rubber beading"; As Original . . . . .ea. 179.90
  - 1406-R\*** "Steel" without "rubber beading" . . . . .ea. 139.95
- \*Note: Over-sized shipping Req'd!**
- 1470** **RETAINER RING - 'TREAD COVER' - 1956 SPARE WHEEL COVER**
  - 1470-BR\*** "Steel" Concours Quality Reproduction; As Original . . . 199.95
  - 1470-SS\*** "Stainless Steel" Bright finish; Not original, but looks great! . . . Inq.
- \*Note: Over-sized shipping Req'd!**

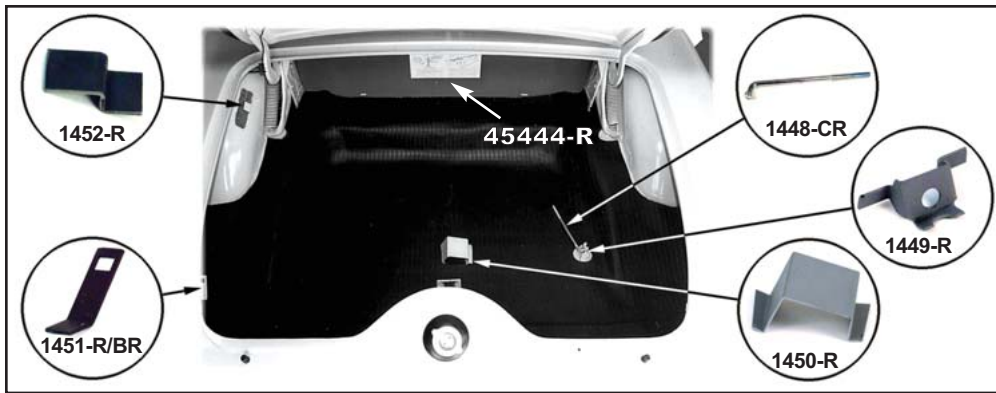


**1472-R**



**1473-R**

- 1472-R** 56, Spring, Continental kit, lever . . . . .ea. 3.95
- 1473-R** 56, Spring, Continental kit, latch . . . . .ea. 8.25



1446-R



1446-BR

<b>1446</b>	<b>CLAMP - SPARE WHEEL RETAINING</b>		
1446-R	55	.....ea.	4.39
1446-BR	57	.....ea.	35.95



1448-BR



1448-CR



APK-99

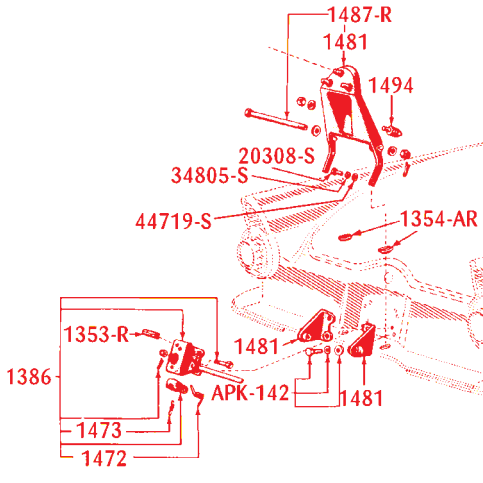
<b>1448</b>	<b>BOLT - SPARE WHEEL MOUNTING</b>		
1448-AR	57, Early type, 6-3/8" long; Used when brackets are attached to trunk floor	.....ea.	21.50
1448-BR	57, Later type, 5-1/2" long, Used when brackets are attached to wheel well	.....ea.	19.95
1448-CR	55, Mounts inside bracket #1449-R	.....ea.	9.95
	<b>APK-99 - Spare wheel bolt kit</b>		2.25
1449-R	55, Bracket, spare wheel mounting bolt; Welds to trunk floor and retains #1448-CR bolt	.....ea.	9.95
1450-R	55, Support, spare wheel; Welds to trunk floor	.....ea.	7.95
1451-R	55/56, Bracket, jack base retainer	.....ea.	3.75
1451-BR	57, Bracket, jack base retainer	.....ea.	3.75
1452-R	55/57, Clip, jack mast to inner wheel house	.....ea.	1.50



1457-R

1459-R

1457-R	55 & 57, Nut spare wheel; <b>Concours Quality Reproduction</b>	.....ea.	13.95
1458-R	55/57, Lug wrench	.....ea.	Inq.
1459-R	55/57, Strap, jack hold down	.....ea.	14.50



1487-R

1481-R	56, Hinge assy, spare wheel mounting; Includes #1487 bolt & 2 brackets	.....ea.	169.95
	<b>APK-142 - Spare wheel mount &amp; brackets to body, 56</b>	.....ea.	6.95
1487-R	56, Bolt kit, spare wheel hinge	.....ea.	12.95
1494-R	56, Dowel, spare wheel hinge	.....ea.	16.95

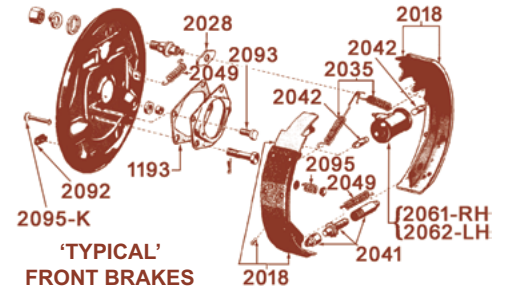


2019-AK

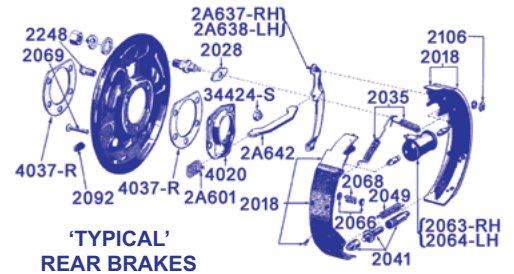
**BRAKE OVERHAUL KIT**  
*We have assembled this brake overhaul kit from the best quality parts in the market place!*  
**KIT INCLUDES:**

- New relined brake shoes (4 wheels)
- New brake cylinders (4)
- New brake hoses front & rear (3)
- New brake springs & hold down parts

2019-AK	55	.....kit	244.95
2019-BK	56	.....kit	244.95
2019-CK	57	.....kit	244.95



'TYPICAL' FRONT BRAKES



'TYPICAL' REAR BRAKES



<b>2001</b>	<b>BRAKE SHOES</b>		
2001-263-K	55/56, Front	.....set of 4	39.95
2001-55-K	55/56, Rear	.....set of 4	39.95
2001-264-K	57, Front	.....set of 4	39.95
2001-228-K	57, Rear	.....set of 4	39.95



2031-AR



2031-BR

<b>2031</b>	<b>BRACKET - POWER BRAKE BOOSTER MOUNTING</b>		
2031-AR	55	.....ea.	53.29
2031-BR	56/57	.....ea.	53.29
	<b>APK-202 - Brake booster mounting bracket #2031 to inside fender panel</b>	.....12 pcs.	1.75
	<b>APK-203 - Brake booster to #2031 bracket</b>	.....4 pcs.	.99



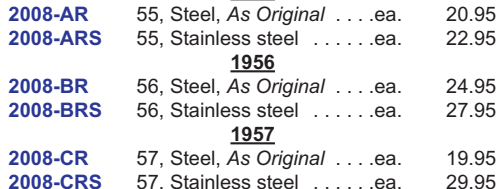
2035*	55/57, Spring, brake shoe retracting, 8 Req'd	.....ea.	1.90
2041	55/57, Screw, brake shoe adjustment, 4 Req'd	.....ea.	11.95
2042	55/57, Link, brake shoe to cylinder, 8 Req'd	.....ea.	4.80
2049*	55/57, Spring, brake adj. screw, 4 Req'd	.....ea.	3.95
	<b>*Note: Also included in #2095-K and #2019.</b>		
2A601	55/57, Spring, park brake link, 2 Req'd	.....ea.	5.60



**2005 BOOSTER ASSEMBLY**  
*(LESS #2006 CHECK VALVE)*  
**2005-REB\*** 55/57, 'Rebuilt' booster; exchange only . . . . .ea. 449.95  
*\*Note: Must rebuild your core.*  
**APK-202 - Bracket Booster Mounting Bracket.** #2013 to Inside fender panel. . . . .12 pcs. 1.75  
**APK-203 - Bracket booster to #2013 bracket** . . . . .4 pcs. .99

**2006 CHECK VALVE - POWER BRAKE BOOSTER**  
**2006-RE** 55/57, Replacement type .ea. 23.95  
**2007-R** 56/57, Tube assembly, power brake booster . . . .ea. 14.95  
*Note: '55 models use the short pipe.*

**2008 TUBE - PWR. BRAKE BOOSTER TO INTAKE MANIFOLD FITTING**  
**1955**  
**2008-AR** 55, Steel, As Original . . . .ea. 20.95  
**2008-ARS** 55, Stainless steel . . . . .ea. 22.95  
**1956**  
**2008-BR** 56, Steel, As Original . . . .ea. 24.95  
**2008-BRS** 56, Stainless steel . . . . .ea. 27.95  
**1957**  
**2008-CR** 57, Steel, As Original . . . .ea. 19.95  
**2008-CRS** 57, Stainless steel . . . . .ea. 29.95



**2009 BRASS FITTING - POWER BRAKE TUBE**  
**2009-BR** 56, Screws into rear of carb. . . . .ea. 34.50  
**2009-CRB** 55, Screws into front of intake manifold  
 57, Screws into rear of intake manifold . . . . .ea. 36.95

**2011-R** 55/57, Hose, booster to frame connector . . . . .ea. 24.95  
**2012** 55/57, Clamp, power brake booster vac. hose, 2 Req'd. Also Ford replacement clamp, power steering return hose . . . . . 2.95



**2014-K** 55/57, Repair kit, power brake booster . . . . .kit Inq.  
*Note: Does not include #2015 diaphragm.*  
**2014-AK** 55/57, Repair kit, power brake booster, with #2015 diaphragm . . . . .kit Inq.



**2015** 55/57, Diaphragm, power brake booster . . . . .ea. 74.95  
**2015-A** 55/57, Rod, power brake booster diaphragm . . . . .ea. 8.95  
**2421** 55/57, Screen, Power brake booster . . . . .ea. 5.95



**2061-64 BRAKE CYLINDER - NEW FRONT**  
**2061** 55/57, RH, Front, 1-1/8" . .ea. 19.95  
**2062** 55/57, LH, Front, 1-1/8" . .ea. 19.95  
**REAR**  
**2063-A** 55, RH, Rear . . . . .ea. 19.95  
**2063-B** 56/57, RH, Rear . . . . .ea. 19.95  
**2064-A** 55, LH, Rear . . . . .ea. 19.95  
**2064-B** 56/57, LH, Rear . . . . .ea. 19.95  
**APK-260 - Wheel cylinder to back plates** Does 4 cylinders 3.45

**2073** 57, Bracket, rear brake hose . . . . .ea. 13.50



**2078/9 BRAKE HOSE - FRONT & REAR**  
**2078** 55/57, Front. 2 Req'd . . .ea. 15.95  
**2079** 55/57, Rear. 1 Req'd . . .ea. 20.95  
*Note: See #2011 for Power Brake Booster to frame hose.*



**2091-R** 55/57, Nut, park brk. equal lever 4.27  
**2092** 55/57, Brake adj. hole plug . . .55  
**2106** 55/57, Clip, park brk. retainer . .65

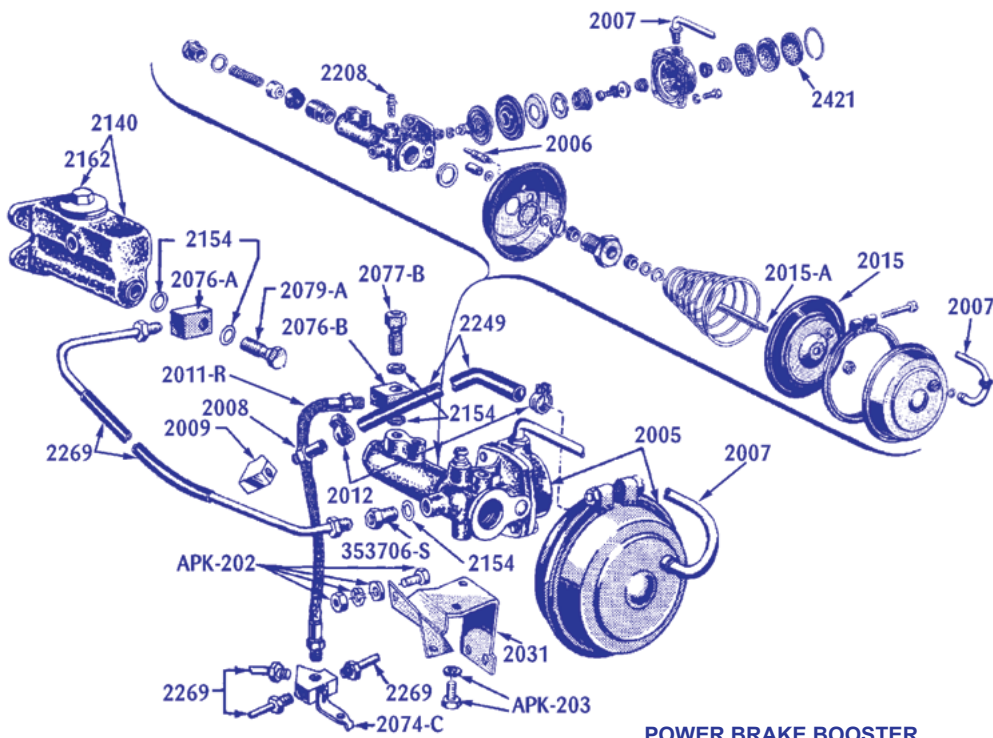


**2093-K** 55/56, Bolt, front backing plate . . . . .set of 4 7.50  
**2A094** 55/57, Brake hold down kit . . 8.95

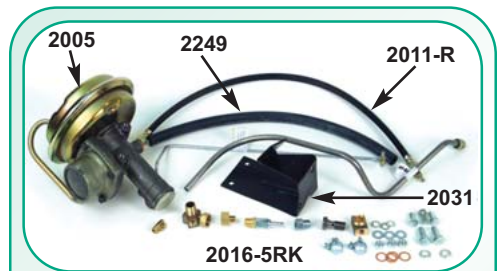


**2095-K\*** 55/57, Brake shoe springs & hold down parts. Includes: 2 - #2A094, 8 - #2035, 4 - #2049, 4 - #2092, & 2 - #2106 . . . . .kit 35.95  
*\*Note: Also included in #2019.*

**2074-A** 55/56, Rear brake line connector . . . . .ea. 69.95  
**2074-B** 57, Rear brake line connector . . . . .ea. 44.95  
**2074-C** 55/57, Connector front brake lines & stop lamp switch . . . . . Inq.  
**2075** 55/57, LH, Connector, Front brake line . . . . .ea. 15.95  
**2076-A** 55/57, Brass fitting, master cylinder . . . . .ea. 11.95  
**2076-B** 55/57, Brass fitting, power brake booster . . . . .ea. 11.95  
**B-22** 55/57, Elbow, #2076-B fitting to #2011 hose . . . .ea. 4.95  
**2077-A** 55/57, Master cyl. fitting bolt . . 18.25  
**2077-B** 55/57, Pwr. brake booster fitting bolt . . . . .ea. 19.95  
**2149** 55/57, Gasket, brake hose or fitting . . . . .ea. .96  
**2150-R** 55/57, LH, Bolt, brake fitting at front . . . . . 6.25  
**2154** 55/57, Gasket, master cylinder & booster fitting . . . . . 1.00



**POWER BRAKE BOOSTER**



**POWER BRAKE INSTALLATION KIT**

Driving in today's traffic requires brakes that will stop your car while driving along with modern day cars with Disc & ABS brakes! This power brake installation kit includes all parts necessary to



install power brakes in your Bird & it's another of our **Concours Quality exact reproductions!**

2016-5RK	55	.....kit	979.95
2016-6RK	56	.....kit	979.95
2016-7RK	57	.....kit	979.95

**NOTE: THESE ARE ALREADY DISCOUNTED, NO ADDITIONAL DISCOUNT MAY BE TAKEN.**



<b>2127-28</b>	<b>KIT - WHEEL CYL. REPAIR</b>		
2127*	55/57, Front, 1-1/8" dia	..ea.	6.95
2128-A*	55, Rear, 7/8" dia.	.....ea.	6.95
2128-B*	56/57, Rear, 15/16" dia.	.....ea.	6.95

*\*Note: Also included in #2129-K.*



<b>2129</b>	<b>KIT - FRONT &amp; REAR BRAKE CYLINDER REPAIR</b>		
2129-AK	55, Does 4 cylinders	.....kit	25.95
2129-BK	56/57, Does 4 cylinders	.....kit	25.95

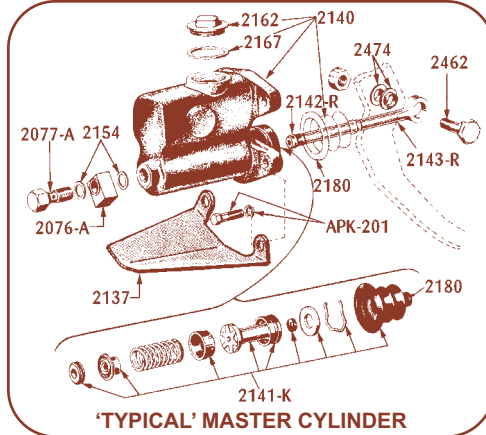


<b>2137-R</b>	Late 55/57, Drip pan, master cyl, stainless	.....ea.	23.95
---------------	---	----------	-------



<b>2140</b>	55/57, Master cylinder	.....ea.	104.95
-------------	------------------------	----------	--------

**Note: Includes #2180 boot; Use with #2154 gasket.**  
**APK-201 - Master cylinder to firewall** ..... 8 pcs. 3.25



**'TYPICAL' MASTER CYLINDER**



**B5A-2141-MK**

**2141 MAJOR MASTER CYL. REPAIR**  
 Our new "MAJOR MASTER CYLINDER REPAIR KIT" now also includes a new #2167 - Cap gasket & 2 ea. #2154 - Copper washers to reseal the brass fitting.

<b>B5A-2141-MK</b>	55/57, With 1" bore	.....ea.	27.95
--------------------	---------------------	----------	-------



<b>2142-R</b>	55/57, Plastic cap, master cylinder push rod	.....ea.	6.76
<b>2143-RK</b>	55/57, Master Cyl. push rod, with cap & bushings	.....ea.	33.95
<b>2149</b>	55/57, Gasket, brake hose or fitting. As Req'd	.....ea.	.96

<b>2150-R</b>	55/57, LH, Bolt, brake fitting at front	.....ea.	6.25
<b>2154</b>	55/57, Gasket, master cyl. & booster fitting	.....ea.	1.00



<b>2162</b>	<b>FILLER CAP - MASTER CYL.</b>		
2162	55/57, Replacement, metal	..	10.95
2162-SC*	"Ford script", repro; Used on all 55's & 56's built in 1955	.....ea.	46.50
2162-BB*	"BB" on top, repro; Used on 56's built in 1956 & all 57's	.....ea.	43.50

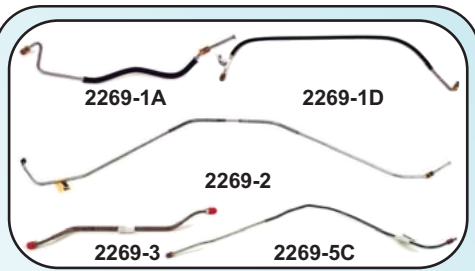
**C.T.C.I. AWARD!**

**\*Note: These master cylinders caps qualify for C.T.C.I. Excellence in Authenticity award when used with master cyl. w/ original casting numbers**



<b>2167</b>	55/57, Gasket, master cylinder filler cap	.....ea.	.99
<b>2180</b>	55/57, Boot, master cylinder	.....ea.	4.11
<b>2208</b>	55/57, Bleed screw, wheel cyl. & brake booster	.....ea.	1.95

**Note: Also incl. in #2140 & #2141-K.**  
**Note: Also included in wheel cylinder and brake booster assemblies.**



All of the brake lines listed below are made from high quality steel brake line tubing with double flared ends and steel flared fittings. They have the original style steel spring protectors & conduit material in the proper locations. **Caution** must be exercised when installing to insure proper seating of the flared fittings to prevent leakage. **Note: Concours Parts & Accessories assumes no responsibility for improperly installed or altered brake lines.**

**INDIVIDUAL STEEL BRAKE LINES**

- 2269-1A 55/57, Master cyl. to frame, manual brakes . . .ea. 17.45
- 2269-1B 55, Master cyl. to power brake booster . . . . .ea. 11.50
- 2269-1C 56, Master cyl. to power brake booster . . . . .ea. 13.35
- 2269-1D 57, Master cyl. to power brake booster . . . . .ea. 21.95
- 2269-2 55/57, Crossover line under engine . . . . .ea. 26.95
- 2269-3 55/57, 12" line between frame block & LH front brass connector . . . . .ea. 19.23
- 2269-4 55/57, Brass block on frame to midpoint on frame . . .ea. 29.95
- 2269-5A 55, Midpoint on frame to rear brake hose . . . . .ea. 37.43
- 2269-5B 56, Midpoint on frame to rear brake hose . . . . .ea. 37.43
- 2269-5C 57, Midpoint on frame to rear brake hose . . . . .ea. 41.19
- 2269-6A 55/56, LH, Rear axle hsg .ea. 26.95
- 2269-6B 57, LH, Rear axle hsg . . .ea. 18.74
- 2269-7A 55/56, RH, Rear axle hsg .ea. 26.95
- 2269-7B 57, RH, Rear axle hsg . . .ea. 26.95
- 357331-RS 55/57, Clip, brake line to side of frame, 3 Req'd . . .ea. 3.25
- 87211-S 55/57, Brake line connector . . 2.95

**INDIVIDUAL STAINLESS STEEL BRAKE LINES**

- 2269-1AS 55/57, Master cyl. to frame, manual brakes . . .ea. 27.95
- 2269-BS 55, Master cyl. to power brake booster . . . . .ea. 17.75
- 2269-CS 56, Master cyl. to power brake booster . . . . .ea. 17.75
- 2269-DS 57, Master cyl. to power brake booster . . . . .ea. 29.95
- 2269-ES 55/57, Crossover line under engine . . . . .ea. 34.20
- 2269-FS 55/57, 12" line between frame block & LH front brass connector . . . . .ea. 23.95
- 2269-GS 55/57, Brass block on frame to mid frame . . . . .ea. 35.50
- 2269-HS 55, Mid frame to rear brake hose . . . . .ea. 49.95
- 2269-IS 56, Mid frame to rear brake hose . . . . .ea. 49.95
- 2269-JS 57, Mid frame to rear brake hose . . . . .ea. 49.95
- 2269-KS 55/56, LH, rear axle hsg . .ea. 44.95
- 2269-LS 57, RH, rear axle hsg . . .ea. 44.95
- 2269-MS 55/56, RH, rear axle hsg .ea. 38.95
- 2269-NS 57, LH, rear axle hsg . . .ea. 23.95
- 357331-RS 55/57, Clip, brake line to side of frame, 3 Req'd . . .ea. 3.25

**STEEL BRAKE LINE KITS**

Includes all of the custom formed steel brake lines needed for your Bird.

- 1955
- 2268-5P With power brakes, steel . . . . 159.95
- 2268-5M With man. brakes, steel . . . . . 159.95
- 1956
- 2268-6P With power brakes, steel . . . . . 159.95
- 2268-6M With man. brakes, steel . . . . . 159.95
- 1957
- 2268-7P With power brakes, steel . . . . . 159.95
- 2268-7M With man. brakes, steel . . . . . 159.95

**STAINLESS STEEL BRAKE LINE KITS**

Includes all of the custom formed stainless steel brake lines needed for your Bird.

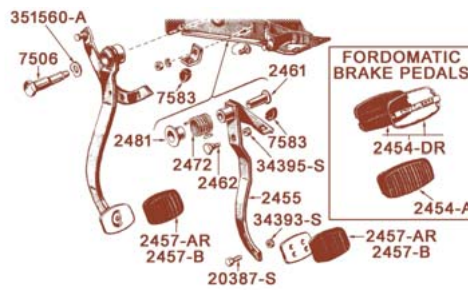
- 1955
- 2268-5PS With pwr. brakes, stainless . . 264.95
- 2268-5MS With man. brakes, stainless . . 264.95
- 1956
- 2268-6PS With pwr. brakes, stainless . . 264.95
- 2268-6MS With man. brakes, stainless . . 264.95
- 1957
- 2268-7PS With pwr. brakes, stainless . . 264.95
- 2268-7MS With man. brakes, stainless . . 264.95



- 2244-AR 55/57, Clip, brake line to frame and axle . . . . .ea. 2.25
- 2244-BR 55/57, Clip, brake line at differential . . . . .ea. 2.95



- 2249-16 55/57, Vacuum hose, booster to vac, 16" . . . . .ea. 4.95
- 2249-32 55/57, Vacuum hose, booster to vac, 32" . . . . .ea. 8.95



**STANDARD SHIFT BRAKE PEDAL**



- 2460-K 55/57, Plastic Bushing Kit; contains - #2461, #2474 & #2481-R . . . . .kit 43.95
- 2461 55/57, Bushing, brake pedal shaft . . . . .ea. 15.95
- 2474 55/57, Bushing, master cylinder push rod . . . . .pr. 10.95
- 2481-R Bushing, brake pedal spring . . . . .ea. 22.95

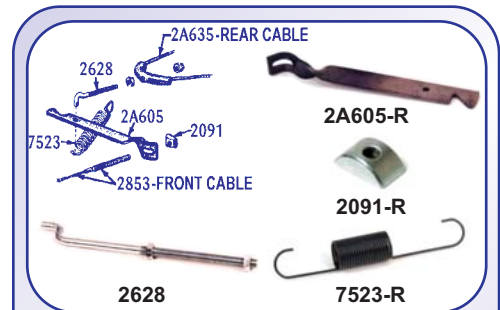


- 2462 55/57, Master cylinder push rod bolt . . . . .ea. 39.95



**BRAKE & CLUTCH PEDAL PADS**

- 2454-A 55/57, Pad, brake pedal, with std. brakes & FM . . . . .ea. 19.95
- 2454-DR 55/57, Pad, brake pedal, with FM & power brakes, "swift sure" embossed in stainless cover . . . . .ea. 46.50
- 2457-AR 55/56, Pad, clutch or brake pedals, "slip on" type; Exact reproduction .ea. 10.95
- 2457-B 57, Pad, clutch or brakes pedals, "slip on" type . . . . .ea. 5.75



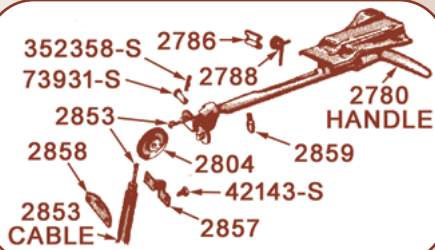
**REAR EMERGENCY BRAKE CABLE**

- 2A605-R 55/57, Lever, parking brake equalizer . . . . .ea. Inq.
- 2628 55/57, Rod, parking brake equalizer . . . . .ea. 14.95
- 2A635-AR 55/57, Rear emergency brake cable . . . . .ea. 37.50
- Note: See #2853 for front cable.**
- 2091-R 55/57, Nut, emergency brake adjustment . . . . .ea. 4.50
- 7523-R 55/57, Spring, emergency brake retracting . . . . .ea. 4.25

**LET US BE YOUR  
'CLASSIC' FORD PARTS SUPPLIER**

**SERVICING ALL YOUR PARTS NEEDS FOR:**

/'55-'57 THUNDERBIRD /'48-'72 FORD TRUCK  
 /'58-'66 THUNDERBIRD /'60-'72 GALAXIE  
 /'49-'59 'BIG FORD' CAR /'62-'72 FAIRLANE  
 /'49-'56 MERCURY CAR /'68-'71 TORINO

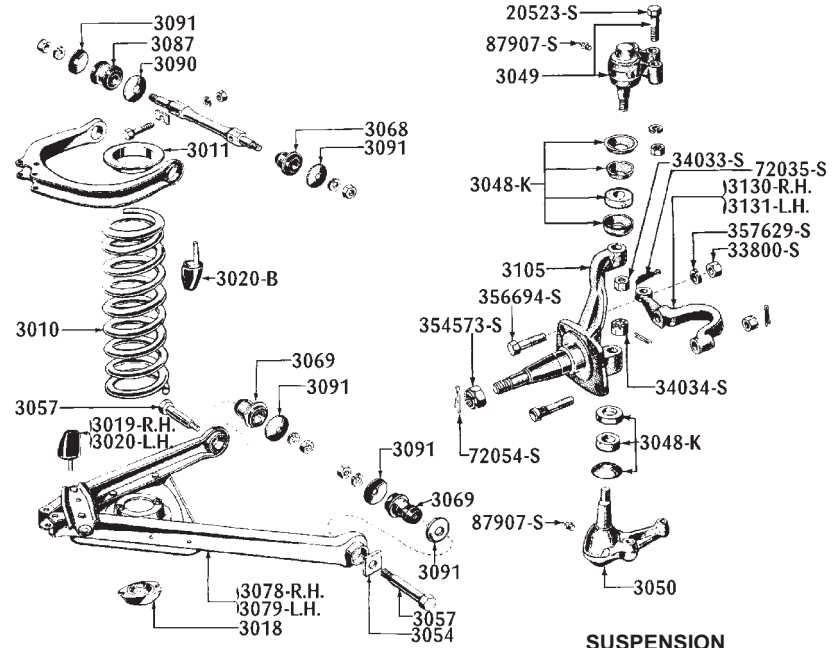


**FRONT EMERGENCY BRAKE CABLE**

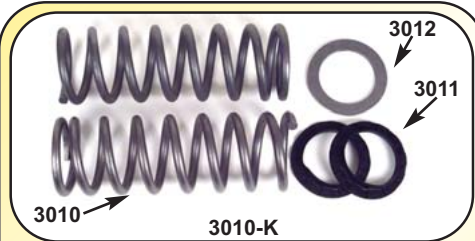
2780-R	55/57, Handle, emergency brake, chrome . . . . .ea.	49.95
2786	55/57, Pawl parking brake ratchet . . . . .ea.	8.95
2788-R	55/57, Spring, parking brake ratchet pawl . . . . .ea.	3.50
2804	55/57, Pulley, parking brake pedal . . . . .ea.	20.75
2804-CR	55/57, Cover, parking brake cable pulley . . . . .ea.	35.00
2805-R	55/57, Clip, to retain #2804-CR cover . . . . .ea.	5.95
2814-A	55/57, Clip, parking brake cable to frame . . . . .ea.	1.65
2814-B	55/57, Clip, brake hose to frame, 3 Req'd . . . . .ea.	1.65
2853	55/57, Cable assembly; Front park brake . . . . .ea.	30.95
2857-R	55/57, Clamp, parking brake cable at firewall . . . . .ea.	3.75
2858-R	55/57, Retainer, parking brake cable to firewall . . . . .ea.	3.95
2859	55/57, Pin, park brake lever . . . . .ea.	2.95



13480-MK	55/57, Switch, stop lamp, mechanical style, for use with silicone brake fluid . . . . .	34.95
13480	55/57, Switch, stop lamp . . . . .ea.	11.95



**SUSPENSION**



**FRONT COIL SPRING KIT**

**KIT CONTAINS:**

- 2 ea. - #3010, Coil Springs
- 2 ea. - #3011, Coil Spring Insulators
- 1 ea. - #3012, Coil Spring Spacer, LH Only

3010-K	55/57 . . . . .kit	159.95
--------	--------------------	--------

**INDIVIDUAL PARTS**

3010	Spring, front, 2 Req'd . . . . .ea.	74.92
3011	Insulator, front spring, upper, 2 Req'd . . . . .ea.	4.50
3012	Spacer, frt. spring upper, LH spring only . . . . .ea.	9.95



**3013-K-KYB**

**KYB's GR-2 Gas Shocks** are specially designed to deliver a smoother, more comfortable ride. A patented check valve minimizes foaming and aeration to make sure the ride stays smooth.

**KYB's Gas-A Just** are designed to deliver maximum driving control and performance. The higher gas pressure in these shocks helps keep tires glued to the road while its high strength monotube configuration provides rugged durability and fade-free performance.

**'55/'57 KYB FRONT & REAR GAS SHOCK**

**KIT CONTAINS:**

- 2 ea. - #3014, Front Shocks
- 2 ea. - #3015, Rear Shocks

All attaching hardware necessary

3013-K-KYB	55/57, Heavy-duty, gas, GR-2 . . . . .kit	219.95
3013-K-KYB-GA	55/57, Heavy-duty, Gas-A-Just . . . . .kit	369.95

**INDIVIDUAL GAS SHOCKS**

3014-KYB	KYB, Front, GR-2 . . . . .ea.	64.95
3015-KYB	KYB, Rear, GR-2 . . . . .ea.	68.95
3014-KYB-GA	KYB, Front, Gas-A-Just . . . . .ea.	99.95
3015-KYB-GA	KYB, Rear, Gas-A-Just . . . . .ea.	84.95



**SHOCK MOUNTING KIT**

Kit contains enough correct washers and grommets to do your entire vehicle!

*THIS KIT IS AN EXACT REPRODUCTION & ONLY FITS ORIGINAL STYLE SHOCKS!*

3016-K	55/57 . . . . .kit	29.95
--------	--------------------	-------



3017

3017*	Spring, rear shock . . . . .ea.	3.95
-------	---------------------------------	------

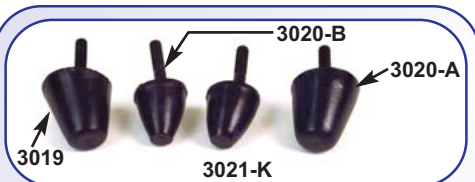
*\*Note: For original shocks only!*



3018

3018	Bracket, lower front shock mounting, 2 Req'd . . . . .ea.	14.95
------	---	-------

*APK-254 - Front shock mounting brackets #3018 to lower "A" arms . . . 2 sides . . . . .*



**UPPER & LOWER CONTROL ARM BUMPER KIT**

**3021-K** 55/57, Kit, upper & lower control arm bumpers: Incls. 1 ea. - #3019 & #3020-A, and 2 ea. - #3020-B . . . . .kit 24.50  
**APK-255 - "A" arm bumpers to "A" arms** . . .8 pcs. - 2 sides 1.99

**INDIVIDUAL PARTS IN THE ABOVE KIT**

**3019** RH, Lower control arm bumper, 1 Req'd . . . . .ea. 6.25  
**3020-A** LH, Lower control arm bumper, 1 Req'd . . . . .ea. 6.25  
**3020-B** RH/LH, Upper control arm bumper, 2 Req'd . . . . .ea. 6.25



**UPPER & LOWER BALL JOINT KIT**

**3051-K** 55/57, Incls. 2 ea. - #3049 & #3050 plus seals and all attaching parts . . . . .kit 194.95

**INDIVIDUAL PARTS IN THE ABOVE KIT**

**3049** RH or LH, Upper ball joint . . . 50.00  
**3050** RH or LH, Lower ball joint . . . 50.00



**APK-248** - Upper ball joint to upper "A" arm . . . . .2 sides 5.25  
**APK-249** - Lower ball joint to lower "A" arm . . . . .2 sides 7.70



**BALL JOINT WASHER & SEAL KIT**

**3048-K** 55/57, Exact repro! Includes all washers and seals for 4 ball joints **Concours Quality!** . . . . .kit 22.50



**3057-R** 55/57, Bolt, lower control arm, 4 Req'd . . . . .ea. 29.95  
**3057-K** 55/57, Bolt kit, lower control arm; *Kit contains bolt, bushing, washer, lock washer & nut*, 4 Req'd . . . . .kit 34.95



**3073** **BUSHING KIT - UPPER & LOWER CONTROL ARM**  
**3073-K** 55/57, **Quality repro!** Includes 2 ea. - #3067 and #3068 & 4 ea. - #3069 . . . 43.95



**UPPER/LOWER CONTROL ARM BUSHINGS**

**3067\*** 55/57, Bushing, upper control arm, Inner, rear, 2 Req'd .ea. 5.95  
**3068\*** 55/57, Bushing, upper control arm, inner, front, 2 Req'd .ea. 5.95  
**3069\*** 55/57, Bushing, lower control arm, front or rear, 4 Req'd . . . 5.95  
*Note: Also included in #3073-K kit.*



**3092** **WASHER KIT - UPPER & LOWER CONTROL ARMS**  
**3092-PK** 55/57, Washer kit, upper & lower "A" arms, black finish, 1 Req'd . . . . .10 pcs. 7.95  
**3092-ZK** 55/57, Washer kit, upper & lower "A" arms zinc (non orig) finish, 1 Req'd . . . . .10 pcs. 7.95  
**APK-257 - Upper "A" arm to frame** . . . . .12 pcs. - 2 sides 9.95

**3090/91** **WASHER - CONTROL ARM**

**3090-PK\*** 55/57, Washer kit, upper "A" arm, black finish, 2 Req'd . . . . .3 pcs. 3.50  
**3090-ZK\*** 55/57, Washer kit, upper "A" arm, zinc (non orig) finish, 2 Req'd . . . . .3 pcs. 3.50  
**3091-PK\*** 55/57, Washer kit, lower "A" arm, black finish, 2 Req'd . . . . .2 pcs. 2.50  
**3091-ZK\*** 55/57, Washer kit, lower "A" arm, zinc (non orig) finish, 2 Req'd . . . . .2 pcs. 2.50  
*\*Note: Also included in #3092-PK or #3092-ZK kits.*



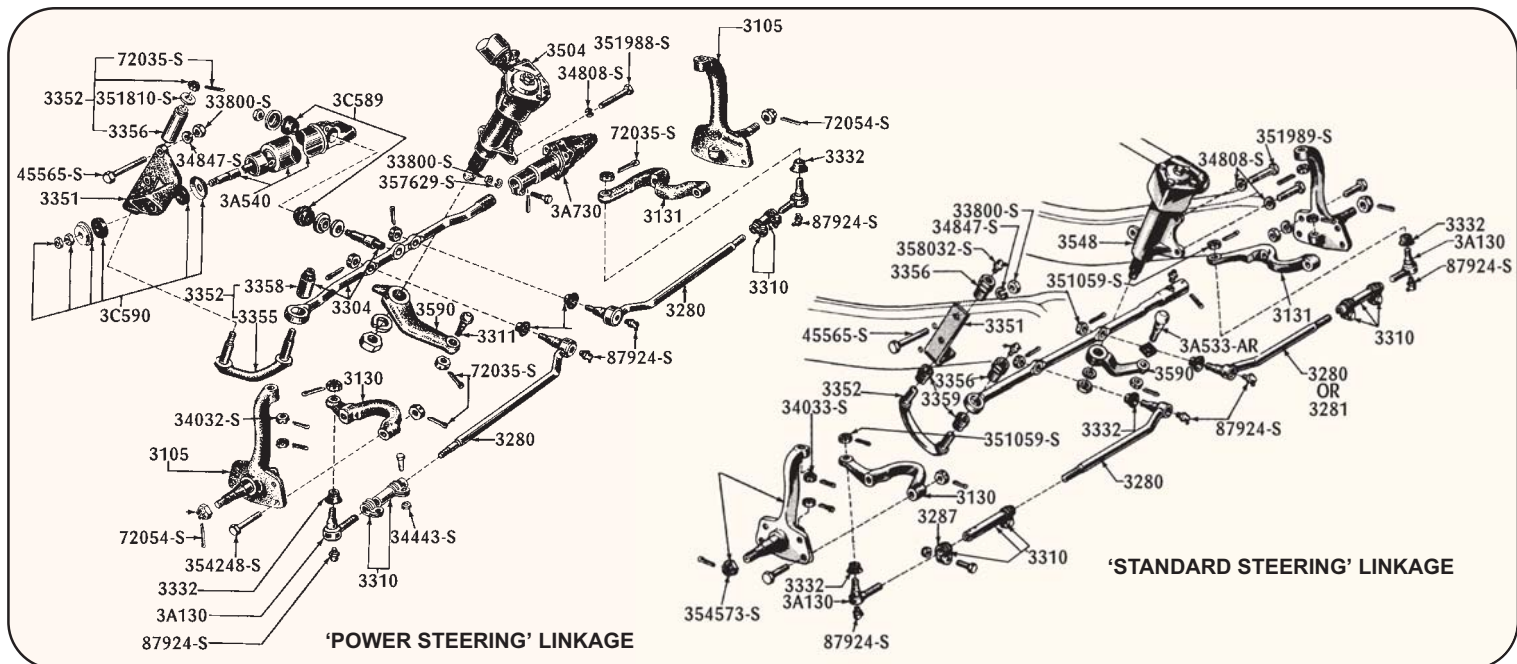
**FRONT SUSPENSION MAJOR OVERHAUL**

**KIT INCLUDES:**  
 Upper & lower ball joints  
 Upper & lower control arm bumpers & bushings  
 Inner & outer tie rods  
 Tie rod adjusting sleeves  
 Two coil spring insulators  
 Mounting hardware for the control arm bumpers  
 Cotter pins  
**3100-K** 55/57 . . . . .kit 424.95  
*Note: '56/'57 type tie rods are supplied in this kit which will replace the '55 type.*  
*The above kit is already discounted, NO ADDITIONAL DISCOUNT MAY BE TAKEN.*

**INDIVIDUAL PARTS IN THE ABOVE KIT**

**3011** Insulator, front spring, upper, 2 Req'd . . . . .ea. 4.50

**3019** RH, Bumper, Lower control arm . . . . .ea. 6.25  
**3020-A** LH, Bumper, Lower control arm . . . . .ea. 6.25  
**3020-B** RH/LH, Bumper, Upper control arm, 2 Req'd . . . . .ea. 6.25  
**3049** RH/LH, Ball joint, upper . .ea. 50.00  
**3050** RH/LH, Ball joint, lower .ea. 50.00  
**3067** Bushing, upper control arm, inner, rear, 2 req'd .ea. 5.95  
**3068** Bushing, upper control arm, inner, front., 2 Req'd . . . 5.95  
**3069** Bushing, lower control arm, front or rear, 4 Req'd . . .ea. 5.95  
**3A130** Tie rod end, outer, 2 Req'd . . . 14.50  
**3280-55** 55, RH, Tie rod, inner . . .ea. 109.95  
**3280** 56/57, RH, Tie rod, inner .ea. 49.50  
**3281-55** 55, LH, Tie rod, inner . . .ea. 109.95  
**3281** 56/57, LH, Tie rod, inner .ea. 49.50  
**3310** Adjusting sleeve, tie rod, 2 Req'd . . . . .ea. 11.50



3101-K

**TIE ROD KIT**

**KIT INCLUDES:**

- Inner & outer tie rods
- Tie rod adjusting sleeves

3101-K 55/57 .....kit 149.95

**Note:** The above kit will work 55/57, but, for '55 you must change both inner tie rods at the same time. If you must have '55 tie rods to complete your concours restoration, '55 tie rods are available for an extra charge. Please call for information and current prices.

**INDIVIDUAL PARTS IN ABOVE KIT**

3A130	Tie rod end, outer, 2 Req'd .....	ea.	14.50
3280-55	55, RH, Tie rod, inner .....	ea.	109.95
3280	56/57, RH, Tie rod, inner .....	ea.	49.50
3281-55	55, LH, Tie rod, inner .....	ea.	109.95
3281	56/57, LH, Tie rod, inner .....	ea.	49.50
3310	Adjusting sleeve, tie rod, 2 Req'd .....	ea.	11.50



3280/1

3280/1-55

**3332-AR**



3A130



3310

3A130 55/57, Tie rod end, outer. Incls. correct shaped seal, nut & cotter key, 2 Req'd ..ea. 14.50

**3280-81 TIE ROD**

3280-55	55, RH, Tie rod, inner .....	ea.	109.95
3280	56/57, RH, Tie rod, inner .....	ea.	49.95
3281-55	55, LH, Tie rod, inner .....	ea.	109.95
3281	56/57, LH, Tie rod, inner .....	ea.	49.95

**APK-1 - Castle nuts & cotter pins for tie rod ends & tie rods** 5.95

3310 55/57, Adjusting sleeve, tie rod, 2 Req'd .....

3332-AR 55/57, Seal, tie rods & tie rod ends, 4 Req'd .....

**C.T.C.I. AWARD!** Note: Qualifies for C.T.C.I. "Excellence in Authenticity" award!



3304-R

3304-R 55/57, Drag link, pwr. stg. .ea. 239.95



3351



3A351

3351 55/57, Bracket, pwr. steering idler arm mounting .....

4.50  
**APK-250-A - Power steering** . 4.50  
**APK-250-B - Man. steering** . 4.25

3A351 55/57, Crush nut, idler arm bracket to frame, 1 Req'd ... 8.19



3352-STR

3352-PSR

**IDLER ARM & BUSHING KIT**

3352-PSR	55/57, Kit, idler arm & bushings, <b>power steering</b> ..	ea.	67.46
3352-STR	55/57, Kit, idler arm & bushings, <b>manual steering</b> .	Inq.	



3356-PK

3356-SK

3359-RK

**IDLER ARM BUSHINGS KIT**

3356-PK*	55/57, Kit, idler arm bushings, <b>power steering</b> ..	ea.	17.50
3356-SK*	55/57, Kit, idler arm bushings, <b>manual steering</b> .	ea.	23.50
<b>Note: Also see #3359-RK seals. *Note: Also included in #3352 kits.</b>			
3359-RK	55/57, Seal kit, idler arm bushings, <b>manual steering</b> ..	ea.	4.95
<b>Note: Also included in #3352-STR.</b>			

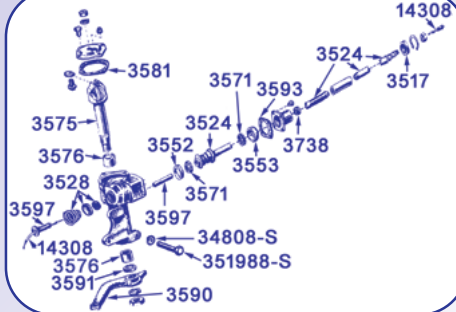






3504-REB

3504-REB 55/57, Rebuilt steering gear assembly, **EXCHANGE**. Includes all new parts necessary to "make it work like new" . . . . .ea. 574.95 **Refundable core charge** . . . 350.00



**STEERING GEAR**

3517	55/57, Bearing, upper steering shaft . . . . .ea.	10.95
3524-AR	55, Steering worm gear & shaft assembly, 2 tooth sector type . . . . .ea.	299.95
3524-BR	56/57, Steering worm gear & shaft assembly, 3 tooth sector type . . . . .ea.	334.95
3524-GA	55, Worm gear only, 2 tooth type . . . . .ea.	109.95
3524-GB	56/57, Worm gear only, 3 tooth . . . . .ea.	109.95
3524-S	55/57, Shaft only, steering gear, without gear . . . . .ea.	99.95
3528-A	55/57, Kit, steering shaft seal . . . . .kit	14.95
3552	55/57, Cup, steering gear bearing, lower . . . . .ea.	12.95
3553	55/57, Cup, steering gear bearing, upper . . . . .ea.	19.95
3571	55/57, Bearing, steering gear, 2 Req'd. . . . .ea.	9.95
3575	55/57, Sector shaft, steering gear . . . . .ea.	Inq.
3576-A	55, Bushing, sector shaft, 2 Req'd. . . . .ea.	11.25
3576-B	56/57, Bearing, sector shaft, 2 Req'd. . . . .ea.	14.95
3581-R	55/57, Gasket, steering gear cover . . . . .ea.	1.35
3597	55/57, Plate & tube assy, steering gear . . . . .ea.	14.95
3591-A	55, Used with 2 tooth sector shaft . . . . .ea.	8.25
3591-B	56/57, Used with 3 tooth sector shaft . . . . .ea.	6.40
3593-A	55/57, Gasket shim, .002" thick . . . . .	.75
3593-C	55/57, Gasket shim, .010" thick . . . . .	.75
3738	55/57, Seal, steering shaft . . . . .	7.95
14308-A	55, Horn wire, located inside steering column . . . . .	19.95
14308-R	56/57, Horn wire, located inside steering column . . . . .	24.95



**COMPLETE POWER STEERING SETUP**

This kit contains everything you need to install power steering on your Thunderbird. It is available TWO DIFFERENT WAYS; NON-ORIGINAL OR THUNDERBIRD ORIGINAL FOR YOUR SHOW CAR.

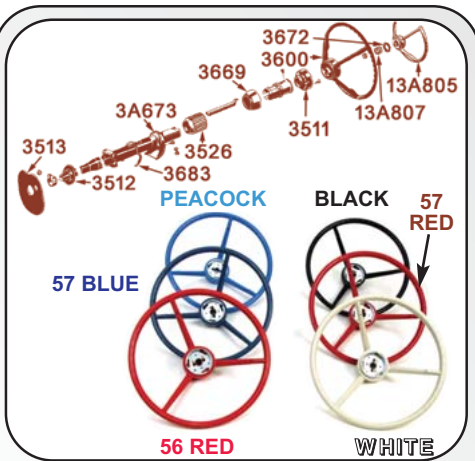
**Kit INCLUDES:**

- Ram Cylinder
- Control Valve
- Idler arm
- All Brackets
- Power Steering Pump - Rebuilt
- Center Link
- New Hoses
- Mounting Hardware

3500-K-NO 55/57, Non-Original type . 2650.00  
3500-K-OR 55/57, Original type . . . . . 2950.00

*THESE KITS ARE ALREADY DISCOUNTED, NO ADDITIONAL DISCOUNT MAY BE TAKEN.*

		
3511-A	3511-B	3524-GA & GB
3511-A 55, Steering col. hub . . . . .ea.	49.95	3524-AR 55, Steering worm gear & shaft assembly, 2 tooth sector type . . . . .ea.
3511-B 56/57, Steering col. hub . . . . .ea.	49.95	299.95
		3524-BR 56/57, Steering worm gear & shaft assembly, 3 tooth sector type . . . . .ea.
3C511-R	3C512-R	334.95
55/57, Bracket, pwr. steering pump to water pump . . . . .ea.	52.50	3524-GA 55, Worm gear only, 2 tooth type . . . . .ea.
3C512-R 55/57, Bolt, pwr. stg. pump bracket to water pump . . . . .ea.	13.95	119.95
		
3512	3513-AR	3513-BR
55/57, Grommet, steering col. to inside firewall cover . . . . .ea.	8.40	3526-A 55, Steering column adjusting sleeve . . . . .ea.
3513-AR 55/57, Seal, steering col. to firewall, <b>standard</b> trans . . . . .	4.75	3526-B 56/57, Steering column adjusting sleeve . . . . .ea.
3513-BR 55/57, Seal, steering col. to firewall, <b>Fordomatic</b> transmission . . . . .ea.	4.75	59.95
<b>APK-95 - Steering column seal plates to firewall . . .9 pcs.</b>	3.25	3528-A 55/57, Kit, steering shaft seal
	3517	14.95
55/57, Bearing, upper steering shaft . . . . .ea.	10.95	
3517	3A673	3A673
55/57, Bearing, upper steering shaft . . . . .ea.	10.95	55/57, Horseshoe collar . . . . .
3517	3A673	49.95
55/57, Bearing, upper steering shaft . . . . .ea.	10.95	<b>APK-122 - Steering column collar (#3A673) screw kit . . . . .</b>
3517	3A673	2.00



**STEERING COLUMN**

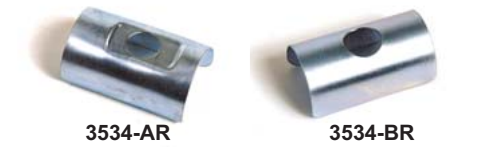
3511-A	55, Steering col. hub . . . ea.	49.95
3511-B	56/57, Steering col. hub . . .	49.95
3512	55/57, Grommet, steering column to inside firewall cover . . . . . ea.	8.40
3513-AR	55/57, Seal, steering col. to firewall, <b>standard</b> transmission . . . . . ea.	4.75
3513-BR	55/57, Seal, steering col. to firewall, <b>Fordomatic</b> transmission . . . . . ea.	4.75
3526-A	55, Steering column adjusting sleeve . . . . . ea.	54.95
3526-B	56/57, Steering column adjusting sleeve . . . . . ea.	54.95
3A673	55/57, Horseshoe collar . . .	43.95
3600	56/57, Steering wheel, Black . . . . . ea.	Inq.
3600-BUCK	56, Steering wheel; Buckskin . . . . . ea.	Inq.
3600-56-GRN	56, Steering wheel; Green . . . . . ea.	Inq.
3600-56-P	56, Steering wheel; Peacock . . . . . ea.	Inq.
3600-RED-56	56, Steering wheel; Red . . .	Inq.
3600-BLU-57	57, Steering wheel; Blue . . .	Inq.
3600-BRONZE	57, Steering wheel; Bronze . . . . . ea.	Inq.
3600-GRN-57	57, Steering wheel; Green . . . . . ea.	Inq.
3600-RED-57	57, Steering wheel; Red . . .	Inq.
3600-WHT	57, Steering wheel; White . . .	Inq.
3600-U	56/57, Steering wheel; Unpainted . . . . . ea.	315.95
3669-A	55, Steering col. collar . . . .	47.50
3669-B	56/57, Steering col. collar . .	47.50
3672-R	56/57, Insulator, horn ring . .	1.00
3683-AR	55, Insulator, steering col. bracket at dash . . . ea.	4.25
3683-R	56/57, Insulator, steering col. bracket at dash . . . ea.	5.65
13A805	55, Horn ring, <b>chrome body only</b> . . . . . ea.	364.95
13A807-R	56/57, Spring, horn ring . . .	2.95

**LET US BE YOUR 'CLASSIC' FORD PARTS SUPPLIER**  
**SERVICING ALL YOUR PARTS NEEDS FOR:**  
 /'55-'57 THUNDERBIRD /'48-'72 FORD TRUCK  
 /'58-'66 THUNDERBIRD /'60-'72 GALAXIE  
 /'49-'59 'BIG FORD' CAR /'62-'72 FAIRLANE  
 /'49-'56 MERCURY CAR /'68-'71 TORINO



**DRAG LINK OR VALVE STUD REPAIR KIT**

3A533-AR	55/57, <b>Manual steering</b> , control valve ball stud repair kit . . . . . kit	71.95
3A533-BR	55/56, <b>Power steering</b> , control valve ball stud repair kit . . . . . kit	67.95
3A533-CK	57, <b>Power steering</b> , drag link ball stud repair kit . . . . . kit	49.95



3534-AR	55/56, Dust shield, control valve & manual steering drag link ball stud . . . . . ea.	5.95
3534-BR	57, Dust shield, control valve ball stud . . . . . ea.	5.95



3538	55/57, Filter, power steering reservoir . . . . . ea.	15.50
------	---	-------

*Note: Use with #3642 & #3641. Also included in #3583-K Master Overhaul kit.*



3C589-BRK	55/57, Kit, power steering ram cylinder end mounting, 2 tapered bushings . . . . . pr.	4.50
-----------	--	------

*Note: Use with #3C590-K.*



3C590-K	<b>KIT - POWER STEERING RAM CYL. PISTON END MOUNTING</b>	
3C590-AK	55/56 . . . . . kit	13.50
3C590-BK	57 . . . . . kit	13.50

*Note: Use with #3C589-BRK.*

**'BRAND NEW' RAM CYLINDERS!**  
 These new Ram Cylinders come with all the mounting hardware and there isn't any 'Core Charge' added on. The best thing about 'NO CORE CHARGE' is you don't have to put out the extra \$350.00 now to get your ram cylinder, and then have to pay for shipping to send your old one back!



3A540-NEW-2	55/Early 57; Has a cast end where hoses attach . . .	379.95
3A540-NEW-3	Later 57 . . . . . ea.	379.95



3A540-REM-1	Early 55; Has a copper pipe on the outside . . . ea.	274.95
3A540-REM-2	55/Early 57; Has a cast end where hoses attach . .	274.95
3A540-REM-3	Later 57 . . . . . ea.	274.95

**Core charge (Refundable when a rebuildable core is returned) . . . . . ea. 350.00**  
*Note: Please compare the cylinder on your car with the photos above to insure that you receive the correct one.*



3A764-R	55 very early; Use with ram cylinder with copper pipe on side, <b>seals only</b> . . . . .	14.95
3A764-AR	55/Very early 57 . . . . .	17.25
3A764-BR	Late 57 . . . . .	15.95

*Note: See #3A540 for type of cylinder illustrations.*



3551-BK

**STEERING GEAR SMALL PARTS MAJOR OVERHAUL KIT**

**INCLUDES:**

- 1 - #3552, Lower bearing cup
- 1 - #3553, Upper bearing cup
- 2 - #3571, Bearing - worm gear
- 2 - #3576-A, Bearing - sector shaft
- 1 - #3581, Cover gasket
- 1 - #3591, Sector seal
- 1 - #3528, Seal kit - steering column
- 1 - #3738, Seal - steering shaft
- 6 - #3593-A, Shim - .002" thick
- 2 - #3593-C, Shim - .010" thick

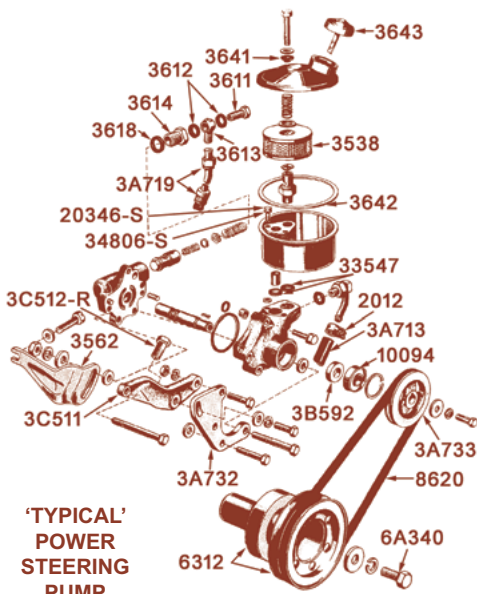
3551-AK 55/Very early 56, With 2 tooth sector . . . . .kit 104.95

3551-BK 56/57, With 3 tooth sector . . . . .kit 109.95

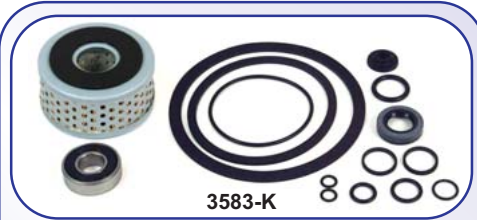
*Note: Use #3551 kit with #3524 & #3575 as needed.*

**INDIVIDUAL PARTS IN THE ABOVE KITS**

3528-A	55/57, Kit, steering shaft seal	14.95
3552	55/57, Cup, steering gear bearing, lower . . . . .ea.	12.95
3553	55/57, Cup, steering gear bearing, upper . . . . .ea.	19.95
3571	55/57, Bearing, stg. gear . . . . .	9.95
3576-A	55, Bushing, sector shaft, 2 Req'd. . . . .ea.	11.25
3576-B	56/57, Bearing, sector shaft, 2 Req'd. . . . .ea.	14.95
3581-R	55/57, Gasket, steering gear cover . . . . .ea.	1.35
3591-A	55, Used with 2 tooth sector shaft . . . . .ea.	8.25
3591-B	56/57, Used with 3 tooth sector shaft . . . . .ea.	6.40
3593-A	55/57, Gasket shim, .002" thick . . . . .	.75
3593-C	55/57, Gasket shim, .010" thick . . . . .	.75
3738	55/57, Seal, steering shaft . . . . .	7.95



'TYPICAL' POWER STEERING PUMP



3583-K

**MAJOR OVERHAUL KIT - POWER STEERING PUMP**

**INCLUDES 1 EACH OF THE FOLLOWING:**

- #3538, Filter
- #3584-K, Gasket & seal kit
- #10094, Bearing

3583-K 55/57 . . . . .kit 44.95  
*\*Note: Also included in #3550 kits.*

**INDIVIDUAL PARTS IN THE ABOVE KIT!**

3B584-K	55/57, Power steering pump seal & gasket kit . . . . .	21.35
3538	Filter, power steering reservoir . . . . .ea.	15.50
10094	Bearing, power steering pump shaft . . . . .ea.	10.95



3585-AX



3585-BX

**3585 PUMP - POWER STEERING REBUILT - EXCHANGE**

3585-AX+ 55/Early 57, There are 2 hoses that go to this pump. *See photo* . . . . .ea. 189.95

3585-BX+ Late 57, There is only 1 hose to the pump, the return hose goes to the reservoir. *See photo* . . . . .ea. 189.95

*Note: Late 57 pump uses 3A719-B (male fitting) type pressure hose & the return line goes to the pipe on the reservoir. +Note: Must have your core in house to rebuild.*



3591-A



3591-B



3B592

**3591 SEAL - SECTOR SHAFT**

3591-A\* 55, Used with 2 tooth sector shaft . . . . .ea. 8.25

3591-B\* 56/57, Used with 3 tooth sector shaft . . . . .ea. 6.40

3B592 55/57, Seal, Power steering pump shaft . . . . .ea. 8.95



3593-K

3593-K\* 55/57, Kit, upper steering gear shims (6); Contains 2 - #3593-C & 4 - #3593-A . . . . . 2.95

3593-A\* 55/57, Gasket shim, .002" thick . . . . .ea. .75

3593-C\* 55/57, Gasket shim, .010" thick . . . . .ea. .75  
*\*Note: Also included in #3551 kit.*



3562-R

3562-R 55/57, Bracket, pwr. steering pump to exhaust manifold support . . . . .ea. 49.95

3575 55/57, Sector shaft, stg gear . . . . . Inq.



3B584-K

**3B584 KIT - SEAL & GASKET - POWER STEERING PUMP**

3B584-K 55/57 . . . . .kit 21.35  
*Note: Also supplied in #3550 & 3583-K kit.*



3597

3597 55/57, Plate & tube assembly, steering gear . . . . .ea. 14.95



3576-A



3576-B



3581-R

3576-A\* 55, Bearing, sector shaft, 2 Req'd. . . . .ea. 11.25

3576-B\* 56/57, Bearing, sector shaft, 2 Req'd. . . . .ea. 14.95

3581-R\* 55/57, Gasket, steering gear cover . . . . . 1.35

*\*Note: Also included in #3551 kit.*



PHOTO COURTESY OF:  
ZAKI EL GUIZIRI IN EGYPT

2" Smaller Diameter!



Fits Original Column!

3600-RETRO

**RETRO STYLE STEERING WHEEL**

This 15" diameter steering wheel makes for easier steering. Made to fit original steering column using existing nut & directional parts. Comes complete with chrome horn ring & center cap!

Note: The center plastic cap is a generic clear plastic with a "V" in the center. You can use your existing center or buy a new one (below). Horn ring does not say "Power Steering"

3600-RETRO 56/57, Black only (Can be painted) . . . .ea. 394.50



3636-R56



3636-R57

3636-R56 56, Medallion, horn ring center, plastic . . . . .ea. 32.09  
 3636-R57 57, Medallion, horn ring center, plastic . . . . .ea. 28.38

**PEACOCK**

**BLACK**



56 RED

57 BLUE

57 RED



WHITE

**3600 STEERING WHEEL**

3600 56/57, Black . . . . .ea. Inq.  
 3600-BUCK 56, Buckskin . . . . .ea. Inq.  
 3600-56-GRN 56, Green . . . . .ea. Inq.  
 3600-56-P 56, Peacock . . . . .ea. Inq.  
 3600-RED-56 56, Red . . . . .ea. Inq.  
 3600-BLU-57 57, Blue . . . . .ea. Inq.  
 3600-BRONZE 57, Bronze . . . . .ea. Inq.  
 3600-GRN-57 57, Green . . . . .ea. Inq.  
 3600-RED-57 57, Red . . . . .ea. Inq.  
 3600-WHT 57, White . . . . .ea. Inq.  
 3600-U 56/57, Unpainted . . . .ea. 315.95



3A609



3A610-RK

3A609 55/57, Insulator, power steering hose . . . . .ea. 8.75  
 3A610-RK 55/57, Bracket & retainer, power steering hose insulator 22.95  
 3611 55/Early 57, Power steering bolt . . . . .ea. 19.95  
 3612 55/Early 57, Banjo gasket . . . 2.75  
 3613 55/Early 57, Power steering fitting . . . . .ea. 18.10  
 3614-A 55/Early 57, Power steering fitting . . . . .ea. 19.95  
 3614-B Late 57, Power steering fitting . . . . .ea. 19.95  
 3618 55/Early 57, Power steering hose 'o' ring . . . .ea. 2.75



3641



3642

3641 55/57, Grommet, pwr. steering reservoir bolt . . . . .ea. 1.30  
 3642 55/57, Gasket, power steering reservoir cover . . . . .ea. 2.42



3643



3644

3643 55/57, Cap & oil indicator assy, power steering reservoir, includes gasket . . . . .ea. 19.95  
 3644 55/57, Gasket, neoprene, replacement for original cork type . . . . .ea. .99  
 Note: Also serviced in #3B584-K & #3583-K kit.



3A650-EARLY



3A650-A



3A650-B

**3A650 KIT - POWER STEERING CONTROL VALVE**  
 3A650-EARLY 55 Early, used with cast iron type clamp - 2 seals only . . . . .kit 14.95  
 3A650-A 55/Early 57, Includes 2 seals . . . . .kit 19.95  
 3A650-B Later 57, Includes 2 seals only . . . . .kit 10.00  
 Note: See photos of #3A540 for type.



3669-A



3669-B

**3669 COLLAR - STEERING COLUMN**  
 3669-A 55 . . . . .ea. 47.50  
 3669-B 56/57 . . . . .ea. 47.50



3672-R

3672-R 56/57, Insulator, horn ring . . . 1.00

**3683 INSULATOR - STEERING COL. BRACKET AT DASH**

3683-AR 55, White . . . . .ea. 4.25



3683-AR



3683-R

3683-R 56/57, Black . . . . .ea. 5.65



3A732-R



3A733-R

3738

3A732-R 55/57, Bracket, power steering pump, front . . . . .ea. 17.95  
 3A733-R 55/57, Pulley, power steering pump . . . . .ea. 47.50  
 3738 55/57, Seal, steering shaft . . . 7.95



**ORDER ONLINE**  
 24 HRS A DAY/7 DAYS A WEEK  
 CONCOURSEPARTS.COM



**POWER STEERING HOSE KITS**

Replace your old leaky hoses with our Concours quality reproduction hoses! Our hoses are custom made to equal or exceed the original quality of material and fit!  
**BUY A #3720 KIT & SAVE!**



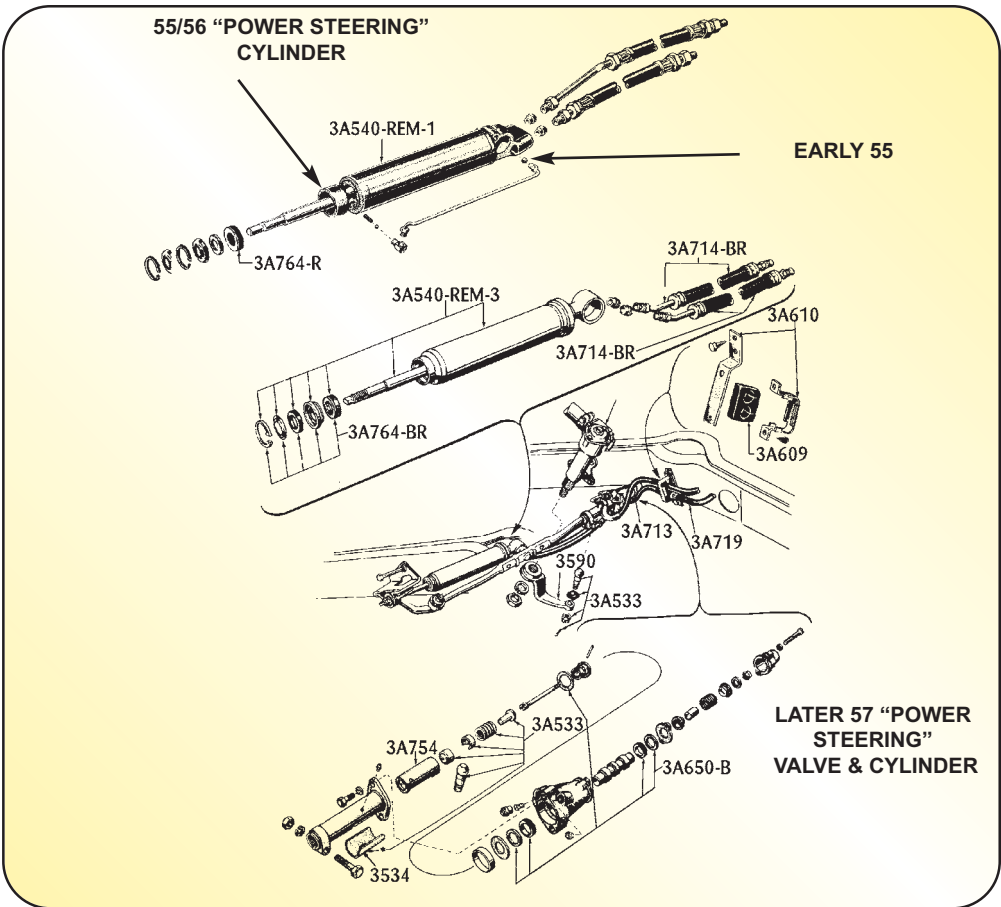
**3720 '55/EARLY '57 - POWER STEERING HOSE KIT**  
Contains: 1 ea. - #3A713, #3A714-AR, #3A717-R, #3A719-A, #3A609 & #2012  
3720-K 55/56 & very early 57 . . . .kit 89.95  
*Note: Use with #3A540-REM-1 & #3A540-REM-2 type ram cylinder. Check your car to see which type you have!*



**3721 '57 - POWER STEERING HOSE KIT**  
Contains: 1 ea. - #3A713, #3A719, #3A609 & #2012  
2 ea. - #3A714-BR  
3721-AK 57, First style; With #3A719-A pressure hose with female fitting at pump end . . . . .kit 79.95  
3721-BK 57, Late style; With #3A719-B pressure hose with male fitting at pump end . . . . .kit 79.95  
*Note: See #3A719 photo.*



PHOTO COURTESY OF:  
ANNE GRETE ARONSEN IN NORWAY



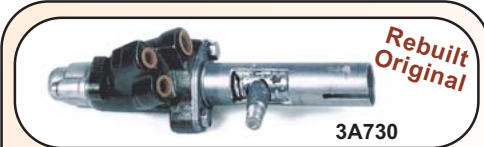
**INDIVIDUAL HOSES**



3A713	55/57, Hose, power steering return . . . . .ea.	17.95
2012	55/57, Clamp, power steering return hose, 1 Req'd . . . . .ea.	2.95
<b>3A714</b>	<b>HOSE - POWER STEERING CONTROL VALVE TO RAM CYL.</b>	
3A714-AR	55/56, 1 Req'd . . . . .ea.	21.00
3A714-BR	57, 2 Req'd . . . . .ea.	17.95
3A717-R	55/56, 1 Req'd . . . . .ea.	21.00



<b>3A719</b>	<b>HOSE - POWER STEERING PRESSURE</b>	
3A719-A	55/Early 57, With female fitting at pump end . . . . .ea.	34.95
3A719-B	Late 57, With male fitting at pump end . . . . .ea.	34.95



**3A730 'REBUILT' CONTROL VALVE - POWER STEERING**  
3A730-REM-C Early 55, With cast clamp . . . . .ea. 199.50  
3A730-REM-1 Later 55/Very early 57, With separate steel clamp . . . . .ea. 199.50  
3A730-REM-2 Later 57 . . . . .ea. 199.50  
**Refundable core charge 350.00**  
*Note: '55 - Early '57 - 3 large hose fittings & 1 small. Later '57 - 3 small hose fittings & 1 large.*



**3A730 'NEW' CONTROL VALVE - POWER STEERING**  
3A730-1-NEW 55/Very early 57 . . . . .ea. Inq.  
3A730-2-NEW Later 57 . . . . .ea. Inq.



4035-AK

**SPIDER GEAR KIT**

**INCLUDES:**

Side Gears, Spider Gears, Shaft & Shims

4035-AK	55/56	.....kit	316.75
4035-BK	57	.....kit	316.75

**INDIVIDUAL PARTS IN THE ABOVE KITS**

4211-A	55/56, Shaft, differential pinion, 1 Req'd	.....ea.	Inq.
4211-B	57, Shaft, differential pinion, 1 Req'd	.....ea.	Inq.
4215-A	55/56, Gear, rear axle spider, 2 Req'd	.....ea.	Inq.
4215-B	57, Gear, rear axle spider, 2 Req'd	.....ea.	Inq.
4228-A	55/56, Washer, side gear thrust, 2 Req'd	.....ea.	Inq.
4228-B	57, Washer, side gear thrust, 2 Req'd	.....ea.	11.95
4230-A	55/56, Washer, pinion gear thrust, 2 Req'd	.....ea.	14.95
4230-B	57, Washer, pinion gear thrust, 2 Req'd	.....ea.	Inq.
4236-A	55/56, Side gear, 55/56, Differential	.....ea.	Inq.
4236-B	57, Kit, differential side gear	.....set of 2	Inq.



4035-A



4035-B

4035-A	55/56, Gasket, differential cover	.....ea.	3.65
	<i>APK-268 - 55/56, Rear axle cover</i>	.....20 pcs.	4.50
4035-B	57, Gasket, differential carrier	.....ea.	4.25
	<i>APK-269 - 57, 3rd member</i>	.....	7.95



4036-K

**AXLE BEARINGS & SEALS KIT**

**INCLUDES:**

- 4 #4037, Bearing retainer & backing plate gaskets
- 2 #4038, Axle oil seal
- 2 #4039, Rear axle bearing & retainer

4036-K	55/57	.....kit	69.50
--------	-------	----------	-------

**INDIVIDUAL PARTS IN THE ABOVE KIT**

4037	Gasket, rear axle bearing retainer and backing plate to axle housing. 4 Req'd	.....ea.	.70
4038	Seal, rear wheel bearing	.....ea.	5.15
4039	Bearing and retainer, rear wheel. 2 Req'd	.....ea.	29.95



4037

4038

4039

4037	55/57, Gasket, rear axle bearing retainer & backing plate to axle hsg, 4 Req'd	....	.70
4038	55/57, Seal, rear wheel bearing, 2 Req'd	.....ea.	5.15
4039	55/57, Bearing & retainer, rear wheel, 2 Req'd	.....ea.	29.95



4221-A

4222-A

4228-B

4230-A

4221-A	55/56, Bearing, differential carrier, 2 Req'd	.....ea.	20.95
4221-B	57, Bearing, differential carrier, 2 Req'd	.....ea.	15.95
4222-A	55/56, Cup, differential bearing, 2 Req'd	.....ea.	11.95
4222-B	57, Cup, differential bearing, 2 Req'd	.....ea.	9.98
4228-A	55/56, Washer, side gear thrust, 2 Req'd	.....ea.	Inq.
4228-B	57, Washer, side gear thrust, 2 Req'd	.....ea.	11.95
4230-A	55/56, Washer, pinion gear thrust, 2 Req'd	.....ea.	14.95
4230-B	57, Washer, pinion gear thrust, 2 Req'd	.....ea.	Inq.
4236-A	55/56, Side gear	.....ea.	Inq.
4236-B	55/56, differential	.....ea.	Inq.
	57, Kit, differential side gear	.....set of 2	Inq.



4627

4628

4630

4627	57, Retainer, pilot bearing. 1 Req'd	.....ea.	18.95
4628	55/56, Cup, rear pinion bearing. 1 Req'd	.....ea.	11.95
4630	55/56, Bearing, rear pinion bearing	.....ea.	22.34

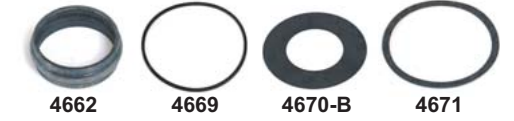


4635-A

4635-B

4635-C

4635	<b>KIT - U-JOINT</b>		
4635-A	55, U-joint kit, front	.....ea.	15.50
4635-B	55, U-joint kit, rear	.....ea.	26.50
4635-C	56/57, U-joint kit, front or rear, 2 Req'd	.....ea.	15.50



4662

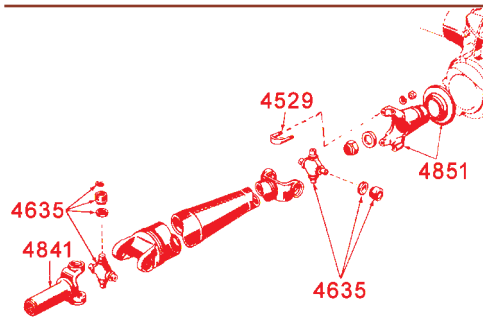
4669

4670-B

4671

4662	57, Spacer, "crush sleeve", pinion bearing	.....ea.	7.95
4669	57, O-ring, pinion bearing retainer	.....ea.	2.55
4670-B	57, Slinger, pinion oil seal	.....ea.	4.95
4671	55/56, Gasket, pinion oil seal	.....ea.	1.25

*Note: Used in conjunction with #4676-A seal.*



'TYPICAL' DRIVE SHAFT



4529

4616-A

4621-A

4625

4529	56/57, U-bolt, U-joint retaining, 2 Req'd	.....ea.	14.50
4616-A	55/56, Cup, pinion bearing, front, 1 Req'd	.....ea.	8.95
4616-B	57, Cup, pinion bearing, 2 Req'd	.....ea.	8.95
4621-A	55/56, Bearing, pinion, front, 1 Req'd	.....ea.	19.95
4621-B	57, Bearing, pinion, 2 Req'd	.....ea.	10.35

4625	57, Bearing, pinion gear pilot, 1 Req'd	.....ea.	34.95
------	---	----------	-------



4676-A

4676-B

4676	<b>PINION SEAL - DIFFERENTIAL</b>		
4676-A	55/56, Pinion seal, differential	.....ea.	13.95
	<i>Note: Use with #4671 gasket.</i>		
4676-B	57, Pinion seal, differential, neoprene type	.....ea.	26.50



4841-56

4851-C

4841	<b>SLIP YOKE - TRANSMISSION</b>		
4841-55	55, All transmissions	.....ea.	125.00
4841-56	56, With a 3 speed standard or FM trans	.....ea.	239.95
4841-B	56/57, With a T-85 O.D. transmission	.....ea.	Inq.
4841-D	57, 1-1/2" diameter yoke with 28 splines	.....ea.	124.95

4851	<b>FLANGE - DIFFERENTIAL</b>		
4851-A	55, NOS	.....ea.	129.95
4851-B	56, NOS	.....ea.	129.95
4851-C	57, With spicer rear	.....ea.	149.95



5005-AK

**MASTER BODY TO FRAME KIT**

#5005-AK - SHOWN IN PHOTO ABOVE INCLUDES:

- 14 ea. #5001-W • 10 ea. #B7A-5002-B
- 10 ea. #5006-R • 10 ea. #5007-R
- 18 ea. #5010-A • 16 ea. #5010-B
- 32 ea. #5010-C • 1 pr. #5010-D
- Attaching Bolts, Washers & Nuts

5005-AK	55/56	.....kit	194.95
5005-BK	57	.....kit	169.95



5007-R

5006-R

5008-RK

**FRAME INSULATOR & ATTACHING CLIP KIT**

5008-RK	55/57, Contains: 10 ea. #5006-R & #5007-R	.....kit	20.35
5006-R	55/57, Clip, frame insulator bumper to frame, 10 Req'd	.....ea.	.30
5007-R	55/57, Bumper, frame to body insulator, 10 Req'd	.....ea.	2.00



5009-AK

**BODY FRAME ATTACHING PARTS KIT**

Clips, Bolts & Washers

5009-AK	55	.....	.46 pcs.	79.95
5009-BK	56	.....	.52 pcs.	79.95
5009-CK	57	.....	.62 pcs.	79.95



5010-A

5010-B & C

5010-D

**SPACER & SHIMS - BODY TO FRAME**

5010-A	55/57, Steel spacer, 5/16" thick, As Req'd	.....ea.	1.79
5010-B	55/57, Steel shim, 1/16" thick, As Req'd	.....ea.	1.25
5010-C	55/57, Steel shim, 1/8" thick, As Req'd	.....ea.	1.00
5010-D	56, Rubber insulator; At rear cross member	.....pr.	9.95



5495-CK

**ANTI-SWAY BARS & KYB SHOCKS KIT**

We have put together our two kits for you. A kit with Heavy-Duty Sway Bar Kits & the Best 'KYB' Shocks that we sell. The other has the same Sway Bar Kits but has heavy-duty shocks, instead of the Gas-A-Just shocks.

These kits offer you the best handling and ride you can get out of your Classic Thunderbird at a discounted prices!

**7/8" Sway Bar**

**KITS INCLUDE:**

- 1 ea. Front - Anti-Swar Bar Kit
- 1 ea. Rear - Anti-Sway Bar Kit
- 2 ea. Front - KYB Shocks
- 2 ea. Rear - KYB Shocks

5495-CK	55/57, With <u>Gas-A-Just</u> shocks	.....kit	724.95
5495-HD	55/57, With <u>Heavy-Duty</u> shocks	.....kit	624.95

**INDIVIDUAL PARTS IN THE ABOVE KITS**

5495-LB-F	Anti-Sway Bars, Front	.....kit	219.95
5495-LB-R	Anti-Sway Bars, Rear	.....kit	219.95
3014-KYB-GA	KYB, Front, <u>Gas-A-Just</u>	.....ea.	99.95
3015-KYB-GA	KYB, Rear, <u>Gas-A-Just</u>	.....ea.	84.95
3014-KYB	KYB, Front, <u>Heavy-duty</u>	.....ea.	64.95
3015-KYB	KYB, Rear, <u>Heavy-duty</u>	.....ea.	68.95



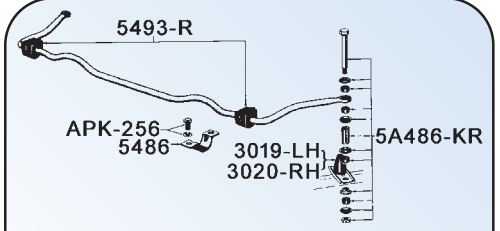
5550-K

**REAR SPRINGS MAJOR OVERHAUL KIT**

**INCLUDES:**

- 2 #5630, Rear shackle kit
- 2 #5780, Front bushing bolt & nut
- 2 #5781, Front bushing
- 4 #5736, Spring mounting retainer
- 4 #5741, Spring mounting insulator
- 12 or 16 - #5586-R, Anti-squeak
- 2 #354721-S, Center bolt & nut

5550-AKR	55, With reproduction #5586-R	.....kit	139.95
<i>Note: Use with appropriate #5334, #5724-AK or #5724-BK spring clamps. Order separately.</i>			
5550-BKR	56/57, With reproduction #5586-R	.....kit	134.95
<i>Note: Use with appropriate #5334, #5724-AK or #5724-BK spring clamps. Order separately.</i>			



FRONT STABILIZER BAR



EXACT REPRODUCTION 5494-KX

**FRONT STABILIZER BAR MOUNTING MAJOR KIT**

**INCLUDES:**

- 1 - #5A486-KR, End kit
- 1 - #5493-R, Bushing kit

5494-KX	55/57, Exact Repro.	.....kit	33.50
---------	---------------------	----------	-------



5A486-KR

5A486-KR	55/57, Exact Reproduction! Does both sides	.....kit	27.50
<i>Note: Included in #5494-K.</i>			



5493-R

5486-R

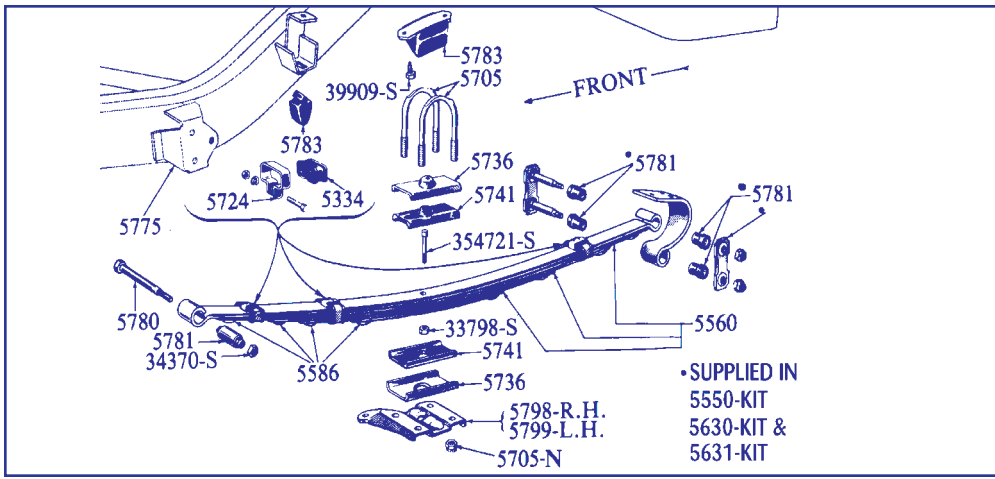
5493-R	55/57, Insulators, front stabilizer bar	.....pr.	11.00
<i>Note: Included in #5494-K.</i>			
5486-R	55/57, Retainer bracket, front stabilizer bar insulator, 2 Req'd	.....ea.	9.95
<i>APK-256 - Kit to attach #5486-R to frame ... 2 sides 2.50</i>			



5334

5334-B

5334	55/56, Rubber liner, rear spring clamp. Use with original band type clamp, 6 Req'd	.....ea.	1.85
5334-B	57, Rubber liner, rear spring clamp. Use with original type '57 clamp, 6 Req'd	.....ea.	2.10



5724-K

5724-K

55, Individual replacement clamp with rubber insulators, as supplied in #5724-AK . . .ea. 7.95



5724-AK

5724-BK

**REAR SPRING CLAMP & RUBBER INSULATOR KIT**

5724-AK 55/57, Ford replacement type . . . . .set of 6 44.50

*Note: 55 & 56 models had a metal banding around the spring leaves. If you plan to have yours re-banded, locally, order 6 - #5334 liners.*

5724-BK 57, An exact reproduction! **Concours Quality**, set of 6 clamps with rubber insulators & instructions . . . . 22.95

**C.T.C.I. AWARD!** \**Note: #5724-BK qualifies for the C.T.C.I. "Excellence in Authenticity" Award.*



5560-B

**5560 REAR SPRING ASSEMBLY**

5560-A 55, "Original style" with cupped spring leaves & anti-squeaks, 2 Req'd . . . .ea. Inq.

5560-B 56/57, "Original style" with cupped spring leaves & anti-squeaks, 2 Req'd . . . . Inq.

5560-AREP 55, "Replacement type", 2 Req'd . . . . .ea. Inq.

5560-BREP 56/57, "Replacement type", 2 Req'd . . . . .ea. Inq.  
*Note: '57 owners - refer to #5724-BK if doing a C.T.C.I. 'SHOW CAR' in order to have the correct clamps.*



5631-AK

**REAR SPRING SHACKLE & BUSHING KIT**

**INCLUDES:**

- 2 - #5630-R, Rear spring shackle kit
- 2 - #5780, Rear spring front hanger stud
- 2 - #5781, Rear spring bushing

5631-AK 55 . . . . .kit 57.50

5631-BK 56/57 . . . . .kit 57.50

*Note: Also included in #5550-K.*



5630-R

5630-R 55/57, kit, rear spring shackle, 2 Req'd. . . . .ea. 14.95  
*Note: Also included in #5550-K & #5631-K.*



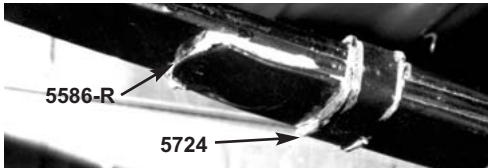
5736

5736 55/57, Retainer, rear spring mounting, 4 Req'd . . . . .ea. 8.50



5741

5741 55/57, Insulator, rear spring mounting, 4 Req'd . . . . .ea. 4.95  
*Note: Also included in #5550-K kit.*



5586-R

5724



5586-RK-OR



5586-55K

**5586 KIT - REAR SPRING ANTI-SQUEAK**

5586-RK-OR1 55, Cloth with wax coating, Original style . . . . .set of 16 77.25

5586-RK-OR 56/57, Cloth with wax coating, Original style . . . . .set of 12 57.95

5586-55K 55, Reproduction . . . . .set of 16 22.95

5586-RK 56/57, Reproduction set of 12 17.35

5586-R 55/57, Anti-squeak, Repro, rear spring leaves . . . . .ea. 1.45



5705-BK

5705-N

**5705-K KIT - REAR SPRING U-BOLTS & NUTS**

5705-AK 55/56 . . . . .kit 49.95

5705-BK 57 . . . . .kit 57.95

**INDIVIDUAL U-BOLTS & NUTS**

5705-A 55/56, U-bolt, rear spring, 4 Req'd. . . . .ea. 10.95

5705-B 57, U-bolt, rear spring, 4 Req'd. . . . .ea. 11.95

5705-N 55/57, Lock nut, rear spring U-bolt . . . . .ea. 1.75



5780

**5780 STUD - REAR SPRING FRONT HANGER**

5780 55/57, 7/16", 2 Req'd . . . . .ea. 9.95  
*Note: Also incl. in #5550-K kit & #5631-K kit.*



5781-A



5781-B



5781-C

**5781 BUSHING - REAR SPRING**

5781-A 55/57, Rubber bushing, rear of rear spring, 8 Req'd. . . . .ea. .99

5781-B 55, Metal bushing, front of rear spring, 2 Req'd. . . . .ea. 8.95

5781-C 56/57, Metal bushing, front of rear spring, 2 Req'd. . . . .ea. 8.75

*Note: Above #5781 bushing included in #5630, #5550-K and #5631-K.*





**5782-AK**



**5782-BK**

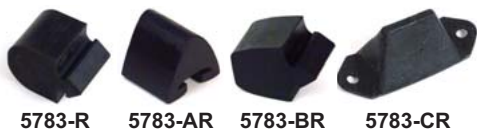
**DIFFERENTIAL & SPRING BUMPERS KIT**

**5782-AK** 55, Includes; 2 ea. - #5783-BR, #5783-CR & 4 ea. - #39909-S . . . . .kit 34.95

**5782-BK** 56, Includes; 2 ea. - #5783-AR, & #5783-BR . . .kit 23.95

**5782-CK** 57, Includes; 2 ea. - #5783-AR & 1 ea. - #5783-R . . . . .kit 17.95

*Note: Refer to #5783 for separate parts.*



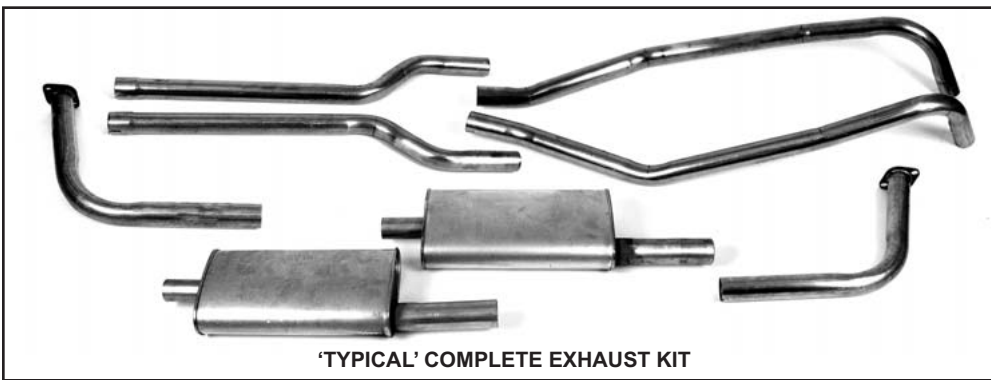
**5783 BUMPER - SPRING, AXLE OR DIFFERENTIAL**

<b>5783-R</b>	57, Differential bumper, 1 Req'd . . . . .ea.	6.50
<b>5783-AR</b>	56/57, Rear axle bumper, 2 Req'd . . . . .ea.	6.25
<b>5783-BR</b>	55/56, Rear spring bumper, 2 Req'd . . . . .ea.	6.25
<b>5783-CR</b>	55, Rear axle bumper and plate assembly; rear axle, 2 Req'd . . . . .ea.	10.50

*Note: Included in #5782-K kits.*  
**39909-S** - Screw for #5783-CR, 4 Req'd . . . . .ea. .95



**ORDER ONLINE**  
**24 HRS A DAY/7 DAYS A WEEK**  
**CONCOURSEPARTS.COM**



**COMPLETE EXHAUST KIT**

Kit Includes:

- ✓ 2 ea. - Mufflers
- ✓ 1 ea. - RH & LH Inlet Pipes
- ✓ 2 pc. Tail Pipes RH & LH

**1955 EXHAUST KIT - WITH 2 PIECE TAILPIPES**  
**5200-55-A** 55, Aluminized Steel . . . . .kit 389.95  
*Note: For Exhaust Hanger Kit see #5256-RK55.*

**1956 EXHAUST KIT - WITH 2 PIECE TAILPIPES**  
**5200-56-A** 56, Aluminized Steel, Without Resonator . . . . .kit 389.95  
**5200-56-AR** 56, Aluminized Steel, With Resonator . . . . .kit 509.95  
*Note: For Exhaust Hanger Kit see #5256-RK56.*

**1957 EXHAUST KIT - WITH 2 PIECE TAILPIPES**  
**5200-57-A** 57, Aluminized Steel, Without Resonator . . . . .kit 389.95  
**5200-57-AR** 57, Aluminized Steel, With Resonator . . . . .kit 509.95  
*Note: For Exhaust Hanger Kit see #5256-RK57.*

**PARTS NOT INCLUDED IN EXHAUST KITS**



<b>9A427-AR</b>	55/57, Valve, Heat riser, with internal baffle . . . . .ea.	82.50
<b>9A427-BR</b>	55/57, Valve, Heat riser, without internal baffle. Has stock appearance on the outside, but the baffle has been deleted . . . . .ea.	82.50
<b>9A427-SP</b>	55/57, Spacer only, Heat riser, casting only . . . . .ea.	17.95

<b>9430-EDB</b>	55/57, RH, Exhaust manifold, WITH CORRECT ENGINEERING NUMBER IN CASTING . . . . .ea.	250.00
<b>9431-ECJ</b>	55/57, LH, Exhaust manifold, WITH CORRECT ENGINEERING NUMBER IN CASTING . . . . .ea.	250.00



**APK-123**      **APK-123-B**

**APK-123** - Exhaust Manifold Washer & Bolt Kit; Includes 14 ea. - #351385-S & #20388-S . . . . .kit 10.75


**APK-123-A** - Exhaust Manifold Stud Kit; LH . . . . .kit 9.95

**APK-123-B** - Exhaust Manifold Stud Kit; RH . . . . .kit 9.25



**5230-HS**

<b>5230-HS</b>	55/57, Muffler heat shields .pr.	68.95
----------------	----------------------------------	-------



**9430-K**      **9450**

<b>9430-K</b>	55/57, Gasket, Exhaust manifold to cylinder head .pr.	15.50
<b>9450</b>	55/57, Gasket, Exhaust manifold to pipe . . . . .ea.	1.95

**EXHAUST  
INSTALLATION  
KIT!**

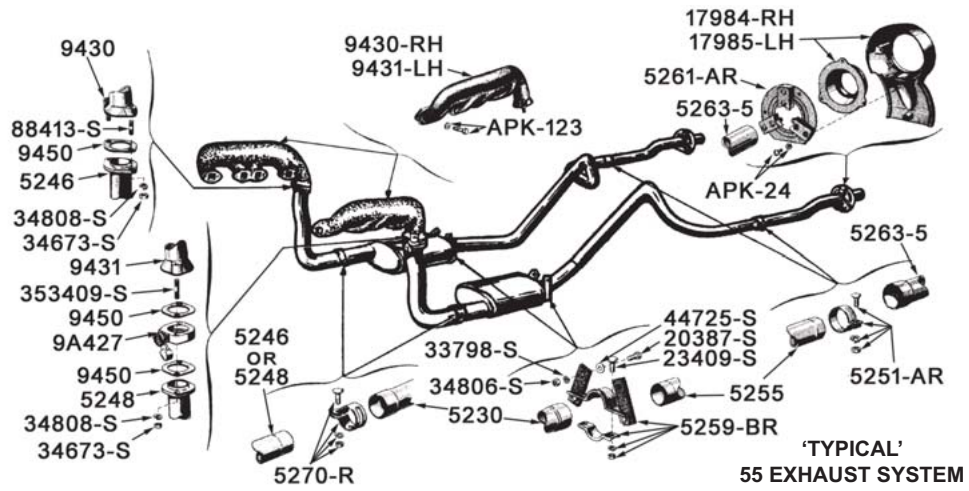


1955

**5256-RK55** 55, Kit, exhaust installation;  
All the hangers, clamps  
& attaching parts to  
install an exhaust system . . . 87.95

**INDIVIDUAL PARTS IN THE ABOVE KIT**

<b>5251-AR</b>	Clamp, tail pipe, intermediate . . . . .ea.	6.50
<b>5259-BR</b>	Hanger assembly; Rear muffler . . . . .ea.	18.95
<b>5261-AR</b>	Hanger assembly; Rear of tail pipe, attaches to bumper guard . . . . .ea.	15.95
<b>5270-R</b>	Clamp, front of muffler, 2" . . . .	8.65
<b>20387-S</b>	Bolt, 5/16"-NF x 1" . . . . .ea.	.40
<b>33798-S</b>	Nut, 5/16"-NF . . . . .ea.	.25
<b>33800-S</b>	Nut, 3/8"-NC . . . . .ea.	.20
<b>34806-S</b>	Lock Washer, 5/16" . . . . .ea.	.15
<b>44722-S</b>	Flat Washer, 5/16" . . . . .ea.	.10



'TYPICAL'  
55 EXHAUST SYSTEM

**1955 EXHAUST SYSTEM PARTS LIST**

<b>5230</b>	Muffler . . . . .ea.	69.95	<b>5259-BRS</b>	Hanger assy; Rear muffler, stainless . . . . .ea.	38.95
<b>5246</b>	RH, Muffler inlet pipe, steel . .	49.95	<b>5261-AR</b>	Hanger assy; Rear of tail pipe, attaches to bumper guard . . . . .ea.	15.95
<b>5248</b>	RH, Muffler inlet pipe, steel . .	49.95		<i>APK-124 - 55, Kit, Rear Exh. Hanger Bolts &amp; Locks . . . .kit</i>	<i>1.95</i>
<b>5251-AR</b>	Clamp, tail pipe, intermediate	6.50	<b>5263-5</b>	RH/LH, Tail pipe, rear half . . .	29.45
<b>5255-5L</b>	LH, Tail pipe, front half . . .ea.	48.20	<b>5270-R</b>	Clamp, front of muffler, 2" . . .	8.65
<b>5255-5R</b>	RH, Tail pipe, front half . . .ea.	48.20			
<b>5259-BR</b>	Hanger assy; Rear muffler . . .	18.95			

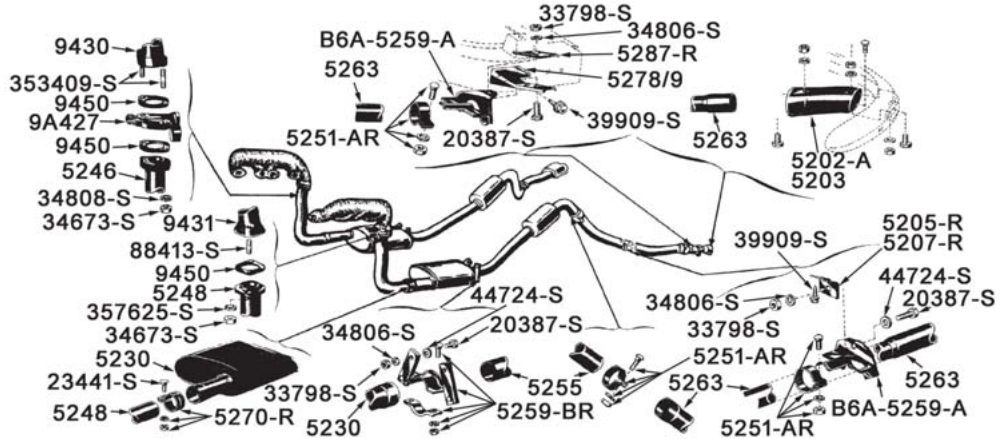


1956

**5256-RK56** 56, Kit, exhaust installation;  
All the hangers, clamps  
& attaching parts to install  
an exhaust system . . . . .kit 164.95

**INDIVIDUAL PARTS IN THE ABOVE KIT**

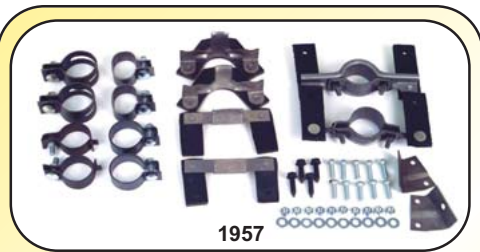
<b>5205-R</b>	RH, Bracket, tail pipe hanger to frame, intermediate	5.40
<b>5207-R</b>	RH, Bracket, tail pipe hanger to frame, intermediate	5.40
<b>5251-AR</b>	Clamp, tail pipe, intermediate	6.50
<b>5259-BR</b>	Hanger assembly; Rear muffler . . . . .ea.	18.95
<b>B6A-5259-A</b>	RH/LH, Hanger, tail pipe intermediate . . . . .ea.	13.95
<b>5270-R</b>	Clamp, front of muffler, 2" . . .	8.65
<b>5278-R</b>	RH, Bracket, tail pipe hanger, rear . . . . .ea.	10.45
<b>5279-R</b>	LH, Bracket, tail pipe hanger, rear . . . . .ea.	10.45
<b>5287-R</b>	Plate, rear hanger . . . . .ea.	4.50
<b>20387-S</b>	Bolt, 5/16"-NF x 1" . . . . .ea.	.40
<b>33798-S</b>	Nut, 5/16"-NF . . . . .ea.	.25
<b>34806-S</b>	Lock Washer, 5/16" . . . . .ea.	.15
<b>39909-S</b>	Screw, Exhaust bracket . . .ea.	.95
<b>44722-S</b>	Flat Washer, 5/16" . . . . .ea.	.10



'TYPICAL' 56 EXHAUST SYSTEM

**1956 EXHAUST SYSTEM PARTS LIST**

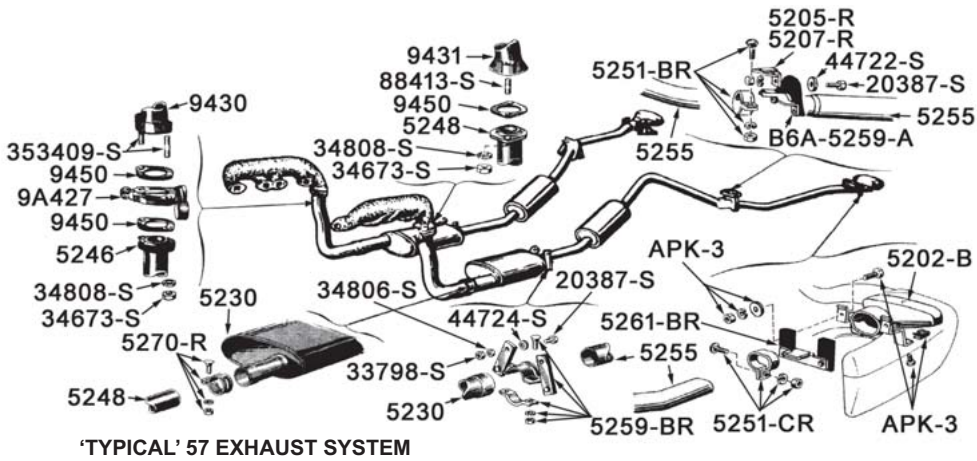
<b>5202-A</b>	RH, Exhaust deflector . . .ea.	35.65	<b>5255</b>	<b>TAIL PIPE - FRONT HALF</b>	
<b>5203</b>	LH, Exhaust deflector . . .ea.	35.65	<b>5255-A6</b>	RH, Without resonator . . .ea.	48.20
	<i>APK-2 - Bolt kit, 56, to attach #5202-3; Contains 6 ea. - bolts, nuts &amp; locks . . . 2 sides</i>	<i>7.50</i>	<b>5255-B6</b>	LH, Without resonator . . .ea.	48.20
<b>5205-R</b>	RH, Bracket, tail pipe hanger to frame, intermediate	5.57	<b>B6A-5259-A</b>	RH/LH, Hanger,, tail pipe intermediate . . . . .ea.	13.95
<b>5207-R</b>	LH, Bracket, tail pipe hanger to frame, intermediate	5.57	<b>5259-ARS</b>	Hanger, as above, stainless . .	33.95
<b>5230</b>	Muffler . . . . .ea.	69.95	<b>5259-BR</b>	Hanger assy; rear muffler . . .	18.95
<b>5246</b>	RH, Muffler inlet pipe, steel . .	49.95	<b>5259-BRS</b>	Hanger assy; as above, stainless . . . . .ea.	38.95
<b>5248</b>	LH, Muffler inlet pipe, steel . .	49.95	<b>5261-CR</b>	56, Rear tail pipe hanger .ea.	10.95
<b>5251-AR</b>	Clamp, tail pipe, intermediate & rear . . . . .ea.	6.50	<b>5263</b>	<b>TAIL PIPE - REAR HALF</b>	
			<b>5263-A6</b>	RH . . . . .ea.	39.09
			<b>5263-B6</b>	LH . . . . .ea.	39.09
			<b>5270-R</b>	Clamp, front of muffler, 2" . . .	8.65
			<b>5278-R</b>	RH, Bracket, tail pipe hanger, rear . . . . .ea.	11.20
			<b>5279-R</b>	LH, Bracket, tail pipe hanger, rear . . . . .ea.	11.20
			<b>5287-R</b>	Plate, rear hanger . . . . .ea.	4.50



**5256-RK57** 57, Kit, exhaust installation; All the hangers, clamps & attaching parts to install an exhaust system . . . . . 134.95

**INDIVIDUAL PARTS IN THE ABOVE KIT**

<b>5205-R</b>	Bracket, RH, tail pipe hanger to frame, interm . . . . .	5.40
<b>5207-R</b>	Bracket, LH, tail pipe hanger to frame, interm . . . . .	5.40
<b>5251-AR</b>	Clamp, tail pipe, interm . . . . .	6.50
<b>5251-BR</b>	Clamp, tail pipe, interm . . . . .	6.50
<b>5251-CR</b>	Clamp, tail pipe, rear . . . . .	6.50
<b>5259-BR</b>	Hanger assembly; Rear muffler . . . . .	18.95
<b>B6A-5259-A</b>	Hanger, RH/LH, tail pipe intermediate . . . . .	13.95
<b>5261-BR</b>	Hanger assembly; rear of tail pipe . . . . .	10.95
<b>5270-R</b>	Clamp, front of muffler, 2" . . . . .	8.65
<b>20387-S</b>	Bolt, 5/16"-NF x 1" . . . . .	.40
<b>33798-S</b>	Nut, 5/16"-NF . . . . .	.25
<b>39909-S</b>	Screw, Exh. bracket . . . . .	.95
<b>44722-S</b>	Flat Washer, 5/16" . . . . .	.10



**1957 EXHAUST SYSTEM PARTS LIST**

<b>5202-B</b>	Exh. deflector, RH/LH, steel . . . . .	36.41
<i>APK-3 - 57, Exhaust Deflector to Bumper Kit. Includes 3 ea. - #354926-S clips &amp; #50540-S stainless screws . . . . . 6 pcs. 9.95</i>		
	<i>50540-S - 57, Screw . . . . .</i>	<i>1.50</i>
	<i>354926-S - 57, Special "Nut" Clip . . . . .</i>	<i>2.50</i>
<b>5205-R</b>	RH, Bracket, tail pipe hanger to frame, intermediate . . . . .	5.57
<b>5207-R</b>	LH, Bracket, tail pipe hanger to frame, intermediate . . . . .	5.57
<b>5230</b>	Muffler . . . . .	69.95
<b>5246</b>	RH, Muffler inlet pipe, steel . . . . .	49.95
<b>5248</b>	LH, Muffler inlet pipe, steel . . . . .	49.95
<b>5251-AR</b>	Clamp, front tail pipe to rear tail pipe. Needed if you use the 2 piece tail pipes . . . . .	6.50
<b>5251-BR</b>	Clamp, tail pipe, intermediate . . . . .	6.50
<b>5251-BRS</b>	Clamp, as above, stainless . . . . .	9.95

<b>5251-CR</b>	Clamp, tail pipe, rear . . . . .	6.50
<b>5251-CRS</b>	Clamp, tail pipe, rear, stainless . . . . .	10.95
<b>B6A-5259-A</b>	RH/LH, Hanger, tail pipe intermediate . . . . .	13.95
<b>5259-ARS</b>	Hanger, as above, stainless . . . . .	33.95
<b>5259-BR</b>	Hanger assy; rear muffler . . . . .	18.95
<b>5259-BRS</b>	Hanger assy; as above, stainless . . . . .	38.95
<b>5261-BR</b>	Hanger assy; rear of tail pipe . . . . .	12.80
<b>5270-R</b>	Clamp, front of muffler, 2" . . . . .	8.65
<b>5287-R</b>	Plate, rear hanger, steel . . . . .	4.50

**5255 TAIL PIPE W/OUT RESONATOR**

<b>5255-C7</b>	RH, 2 piece type, steel (both pieces) . . . . .	100.95
<b>5255-D7</b>	LH, 2 piece type, steel (both pieces) . . . . .	100.95

**ADDITIONAL EXHAUST SYSTEM PARTS**

	<b>9A427-AR</b>	55/57, Valve, Heat riser, with internal baffle . . . . .	82.50
	<b>9A427-BR</b>	55/57, Valve, Heat riser, without internal baffle. Has stock appearance on the outside, but the baffle has been deleted . . . . .	82.50
	<b>9A427-SP</b>	55/57, Spacer only, Heat riser, casting only . . . . .	17.95

	<b>5230-HS</b>	55/57, Heat Shields, Decrease heat transfer from mufflers to floor . . . . .	68.95
--	----------------	--	-------



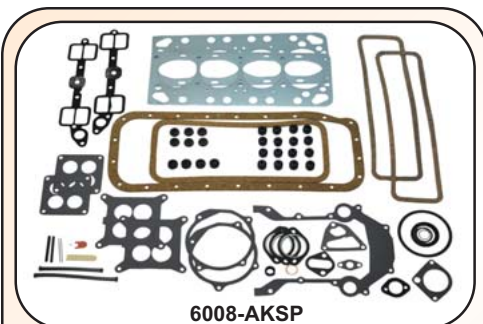
**EXHAUST MANIFOLDS**

<b>9430-EDB</b>	55/57, RH, WITH CORRECT ENGINEERING NUMBER IN CASTING . . . . .	250.00
<b>9431-ECJ</b>	55/57, LH, WITH CORRECT ENGINEERING NUMBER IN CASTING . . . . .	250.00

	<b>APK-123</b>	Exh. Manifold Bolt & Washer Kit; Incl: #20388-S & #351385-S7 - 14 each . . . . .	10.75
	<b>APK-123-A</b>	Exhaust manifold stud kit; LH . . . . .	9.95
	<b>APK-123-B</b>	Exhaust manifold stud kit; RH . . . . .	9.25
	<b>20388-S</b>	Bolt, 3/8"-NC x 1" . . . . .	.40
	<b>351385-S</b>	Washer, 3/8" . . . . .	.35

	<b>9430-K</b>	55/57, Gasket, Manifold to cylinder head . . . . .	15.50
	<b>9450</b>	55/57, Gasket, Man. to pipe . . . . .	1.95
	<b>20387-S</b>	Bolt, 5/16"-NF x 1" . . . . .	.40
	<b>34806-S</b>	Lock Washer, 5/16" . . . . .	.15
	<b>33798-S</b>	Nut, 5/16"-NF . . . . .	.25
	<b>88413-S</b>	Stud, 7/16" x 1-3/4", for LH Manifold . . . . .	3.95
	<b>353409-S</b>	Stud, 7/16" x 2-1/2", for RH Manifold . . . . .	2.95
	<b>34808-S</b>	Lock Washer, 7/16" . . . . .	.20
	<b>*34673-SNC</b>	Brass Nut, 7/16" NC, for Manifold Stud . . . . .	1.75

*\*Note: Used with above replacement studs.*

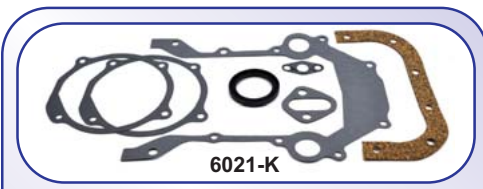


6008-AKSP

**'55/'57 CUSTOM ENGINE GASKET SET**  
 WE HAVE PUT TOGETHER THESE "STATE OF THE ART" CUSTOM GASKET SETS SO THAT YOU WILL HAVE THE BEST GASKETS FOR YOUR THUNDERBIRD.

We offer 2 types of rear main bearing seals for both the 292 & 312 engines. We also feature our 'special' intake manifold gaskets. They prevent the paint from burning off your manifold. Our 'extra thick' valve cover gaskets are made of the best quality neoprene & cork material.

- 6008-AKSP 292 & 312 Engines; Has 'rope type' rear main bearing seal . . . . .kit 129.95
- 6008-292NSP 292 Engines; Has 'neoprene type' rear main bearing seal . . . . .kit 134.95
- 6008-312NSP 312 Engines; Has 'neoprene type' rear main bearing seal . . . . .kit 137.50



6021-K

**FRONT COVER GASKET KIT**

INCLUDES THE FOLLOWING:

- 1 - #6020, Front cover gasket
- 1 - #6700, Front cover seal
- 2 - #8507, Water pump gasket
- 1 - #8563, Water by-pass gasket
- 1 - #6709, Oil pan gasket, front section
- 1 - #9417, Fuel pump mounting gasket

6021-K 55/57 . . . . .kit 22.50



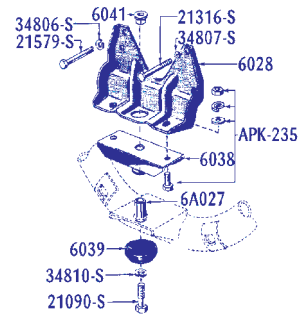
6011-DK

6011-DK 55/57, Freeze plug kit, brass . . . . . 14.95

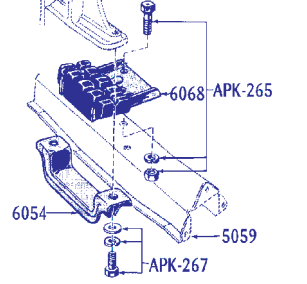


6020 55/57, Gasket, timing chain cover . . . . . 5.25  
 Note: Also included in #6021-K & #6008-K.

6023-R 55/57, Pointer, engine timing . . . . . 14.69



**FRONT MOTOR MOUNT**



**REAR MOTOR MOUNT**



6037-AK

**ENGINE & TRANSMISSION MOUNT KIT**

INCLUDES THE FOLLOWING:

- 1 #6038, Upper front engine mount insulator
- 1 #6039, Lower front engine mount insulator
- 1 #6966-RK, Engine steady rest grommet kit
- 1 #6068-A or 6068-B, Rear transmission mount

6037-AK 55/56, With #6068-A Rear transmission mount . . . . .kit 57.50  
 6037-BK 57, With #6068-B Rear transmission mount . . . . .kit 54.95



6A027

6A027 55/57, Spacer, engine front support . . . . .ea. 5.95

6028 55/57, Bracket, engine front support . . . . .ea. Inq.



6038 55/57, Insulator, engine front mount, upper . . . . .ea. 27.50  
 APK-235 - Front motor mount to #6028 engine bracket . . . . . 3.25

6039 55/57, Insulator, engine front mount, lower . . . . .ea. 6.50



6041-R

6041-R 55/57, Nut, front engine support insulator bolt . . . . .ea. 7.95



6051

'TYPICAL' 6054

6051 55/57, Gasket, cylinder head, 2 Req'd. . . . .ea. 19.95

6054 55/56, Retainer, trans. mount . . . . .ea. 37.50

6054-C 57, Retainer, trans. mount .ea. 37.50



6068-A

6068-B

6068-A 55/56, Mount, rear trans. .ea. 14.95  
 6068-B 57, Mount, rear trans. . . . .ea. 10.95

APK-265 - Rear transmission mount to frame . . . . .10 pcs. 3.50

APK-266 - Rear transmission crossmember to frame, 55/56 . . . . .18 pcs. 4.50

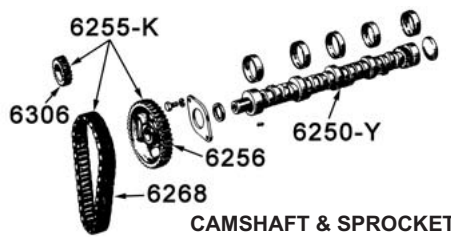
APK-267-A - Rear engine mount to frame & trans, FM . . . . .12 pcs. 6.40

APK-267-B - Rear engine mount to frame & trans, Standard/O.D. . . . .12 pcs. 6.40



6212

6212 55/57, Nut, connecting rod, 16 Req'd . . . . .ea. Inq.



6255-K

**CAMSHAFT & SPROCKET**

6250-Y 55/57, Camshaft, 272, 292 & 312 Engines . . . . .ea. 124.95

**LET US BE YOUR 'CLASSIC' FORD PARTS SUPPLIER**  
 SERVICING ALL YOUR PARTS NEEDS FOR:  
 /'55-'57 THUNDERBIRD /'48-'72 FORD TRUCK  
 /'58-'66 THUNDERBIRD /'60-'72 GALAXIE  
 /'49-'59 'BIG FORD' CAR /'62-'72 FAIRLANE  
 /'49-'56 MERCURY CAR /'68-'71 TORINO

**6256**      **6306**      **6268**

**6255-K**    Kit, #6256 - Timing gear, #6306 - Crank gear & #6268- Timing chain . . . . .kit    89.95  
*Note: Fits all Y-Blocks.*

**INDIVIDUAL PARTS**

**6256**    Timing gear, camshaft . . . . .ea.    26.95  
**6268**    Timing chain . . . . .ea.            44.95  
**6306**    Gear, crankshaft . . . . .ea.          25.95

**6335-AK**

**6335-K**    **SEAL HOUSING CAP & SEAL KIT**  
**6335-AK**    292, Seal kit & seal housing cap . . . . .kit    169.95  
**6335-BK**    312, Seal kit & seal housing cap . . . . .kit    169.95

**6519-R**      **6521**      **6A527-R**

**6513**      **6513**

**6513**      55/57, Valve spring, 16 Req'd      3.50

**6519-R**    55/57, Valley pan, replacement, also fits "E" models . . . . .ea.    139.95

**6519-U**    55/57, Valley pan, *Used original* . . . . .ea.    Inq.

**6521**      55/57, Gasket, valley cover . . . . .ea.    6.50

**6A340**      **6312**

**6312**

**6312**      **CRANKSHAFT DAMPER & PULLEY**

**6312**      55/57, New . . . . .ea.    599.95  
**6312-REB\*** 55/57, Rebuilt . . . . .ea.    349.95  
*\*Refundable core charge, if yours is rebuildable! . . . . . 300.00*

**6375-A**

**6375-A**    55/57, Flexplate, FM torque converter to crankshaft, one piece type - replaces riveted type . . . . .ea.    57.50

**6521-K**

**6521-K**    55/57, Valley cover gasket w/ 2 ea. - #6570-A grommets . . . . .ea.    7.50  
**APK-220 - Valley cover to engine . . . . .4 pcs.    2.25**

**6A527-R**    55/57, Stud, Alum. valve cover    3.95

**6312-T**

**6312-T**    55/57, Damper puller . . . . .ea.    59.95

**6379**      **6384**      **6436-BR**      **6500**

**6379**      55/57, Bolt, flexplate to crankshaft . . . . .ea.    Inq.  
**6384**      55/57, Flywheel ring gear, Std/O.D. transmission . . . . .ea.    52.50  
**6436-BR**    55/57, Seal, starter to engine, Original type . . . . .ea.    12.50  
**6500**      55/57, Valve lifter . . . . .ea.    21.95

**6582-AK**      **6570**      **6582**      **6A506**

**6A527**      **6588**      **6549**      **6564**      **6563**

**6563**      **6571**      **6571**      **6565**      **6513**      **6513**      **6500**

**INTAKE**      **EXHAUST**

**6A321-K**      **6384**      **6375**      **6306**      **6379**      **6A321-K**      **6700**      **6335**

**CRANKSHAFT & FLYWHEEL**

**6A321-ARK**      **6A321-BRK**

**6A506-AR & BR**

**6A506**      **KIT - VALVE COVER GASKETS & GROMMETS**

**6A506-AR**    55/57, Used with painted valve covers . . . . .kit    16.95  
**6A506-BR**    55/57, Used with aluminum valve covers . . . . .kit    16.95  
*Note: We reproduce our own valve cover gaskets that are thicker than original and have a greater percentage of neoprene in them! THEY COST A LITTLE MORE, BUT ARE WORTH IT!*

**6549**      **6549-C**

**6549**      **SCREW - ROCKER ARM ADJUSTING**

**6549-C**    55/57, Self locking type, 16 Req'd . . . . .ea.    Inq.

**6A321-CRK**

**6A321**      **SEAL KIT - REAR MAIN BEARING**

**6A321-ARK**    292, Neoprene type . . . . .kit    27.50  
**6A321-BRK**    312, Neoprene type . . . . .kit    52.50  
**6A321-CRK**    292 & 312, Rope type . . . . .kit    27.50

**6A507-RK**

**VALVE COVER GASKETS & HARDWARE**  
*Includes all the parts you need to install aluminum valve covers:*

- 2 #6584, Gasket
- 1 #6582-AK, Acorn nut kit
- 1 #6582-BRK, Washer kit
- 4 #6A527-R, Stud
- 4 #6570-BR, Grommet

**6A507-RK**    55/57 . . . . .kit    39.95

**6563**

**6563-K**

**6563-K**    55/57, Rocker arm & shaft, Remanufactured . . . . .pr.    799.00  
*Refundable core charge . . . . . 350.00*

**6563**      55/57, Shaft, rocker arm . . . . .ea.    44.95

**6A340**

**6A340**    55/57, Bolt, damper to crankshaft . . . . .ea.    2.95



**6564** 55/57, Rocker arm . . . . .ea. Inq.  
**6565** 55/57, Push rod valve . . . . . 6.95



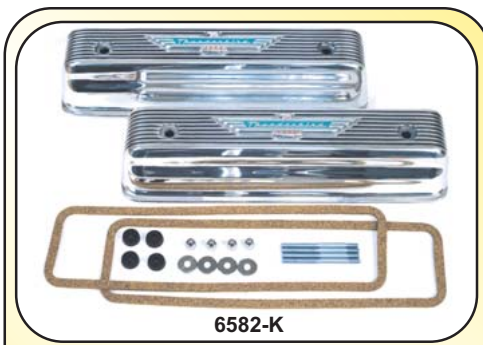
**6570** **GROMMET - VALVE COVER OR VALLEY COVER**  
**6570-AR** 55/57, Grommet & washer, use with painted valve covers, 4 Req'd, or valley cover, 2 Req'd. . . . .ea. 1.40  
**6570-BR** 55/57, Grommet, only use with aluminum valve covers. 4 Req'd . . . . .ea. .95  
**6571** 55/57, Seal, valve guide, 16 Req'd . . . . .ea. 2.50  
**6575** 55/57, Bracket, rocker arm outlet tube . . . . .ea. 6.95



**6582** 55/57, Alum. valve cover .ea. 204.95  
*Note: Also included in #6582-K.*  
**6582-AK** 55/57, Kit, 4 chrome plated acorn nuts. Use with alum. valve covers . . . . .kit 9.95  
*Note: Also included in #6582-K & #6A507-RK*  
**6582-BRK** 55/57, Kit, 4 chrome plated washers. Use with aluminum valve covers . . . . .kit 4.50  
*Note: Also included in #6582-K & #6A507-RK*  
**6A527-R** 55/57, Stud, for aluminum valve covers . . . . .ea. 3.85  
*Note: Also included in #6582-K & #6A507-RK*  
**6584-A** 55/57, Valve cover gasket, Thicker & Better! 2 Req'd . . . . .ea. 6.95  
*Note: Also included in #6582-K, #6A506-AR/BR & #6A507-RK*  
**6582-DR** 55/57, Nut kit, valve cover: Use with painted valve covers, (4) . . . . .kit 12.95

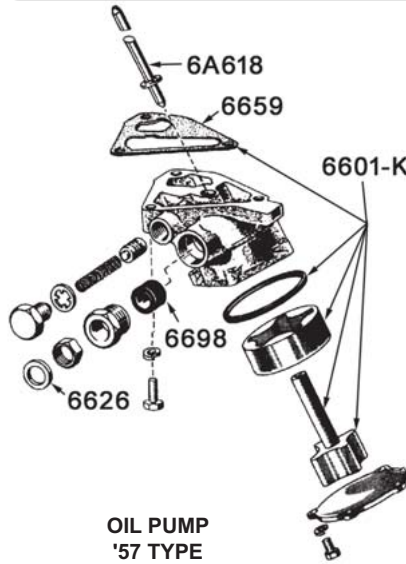


**6588** 55/57, Tube, Valve rocker arm oil outlet . . . . .ea. 7.95



**6582-K** 55/57 . . . . .kit 439.95

**ALUMINUM VALVE COVER INSTALLATION KIT**  
**INCLUDES:**  
 • 2 - #6582, Aluminum Valve Covers  
 • 2 - #6584, Gaskets  
 • 4 - #6570-BR, Grommets  
 • 4 - #6A527-R, Stud  
 • 1 - #6582-AK, Acorn nut kit  
 • 1 - #6582-BRK, Chrome washer kit



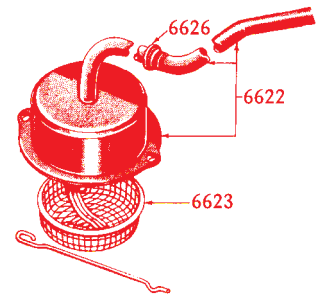
**OIL PUMP '57 TYPE**



**6600** **OIL PUMP ASSEMBLY - GEAR TYPE - NEW**  
**6600-A** 55/56, As Original  
 57, Replacement . . . . .ea. 149.95



**6601-K** 57, Overhaul repair kit, oil pump rotor type . . . . .ea. 59.95  
**6A618** 55/57, Shaft, oil pump drive . . . . .ea. 17.95



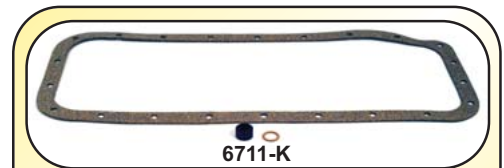
**6622** 55/57, Oil pick up tube assy; Incl. (#6623) screen . . . . .ea. Inq.



**6623** 55/57, Screen, eng. oil pump 21.95  
**6626** 55/57, Gasket, oil pump inlet tube . . . . .ea. 1.25  
**6659-R** 55/57, Gasket, oil pump mounting . . . . .ea. 3.95  
**6673** 55/57, Nut, Pick-up tube to oil pump . . . . .ea. 15.95  
**6698** 55/57, Seal, oil pan to oil pick-up tube . . . . .ea. 7.10  
**6700** 55/57, Seal, timing frt .cover . . . . .ea. 12.95  
*Note: Also included in #6021-K kit.*



**6710** 55/57, Gasket, oil pan . . .ea. 8.95  
*Note: Also included in #6711-K kit.*  
**APK-215** - Oil pan to block . . . . . 7.50



**6711-K** 55/57 . . . . .kit 16.95

**OIL PAN GASKET KIT**  
**INCLUDES THE FOLLOWING:**  
 • 1 - #6710, Pan gasket  
 • 1 - #6698, Oil pump seal  
 • 1 - #6626, Pick-up tube gasket

**APK-215** - Oil pan to block . . . . . 7.50



**6730-A** 55/56, Plug, engine oil pan drain, 7/8" X 16 . . . . .ea. 9.75  
**6730-B** 57, Plug, engine oil pan drain, 1/2" X 20 . . . . .ea. 6.50  
**6734** 55/56, Gasket, oil pan drain plug . . . . .ea. 1.80

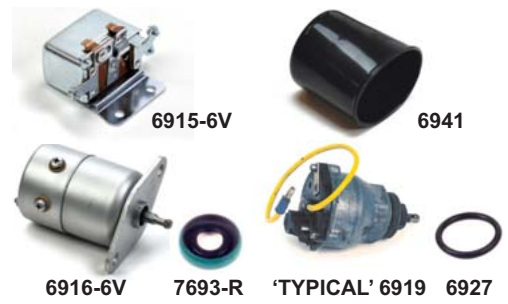


**P1** **Red Engine Spray Paint -**  
The correct shade of Red-Orange paint  
12 oz. spray can ..... 11.95

**P2-Q** **"Ford Red" Engine Paint -**  
This is the correct color of the original "Ford Red" engine paint! All of the nice show cars use this paint. It gives a nice glossy finish that will last a long time. You must use our #9433-TZ Intake Manifold Gasket in order to prevent "burn-off" on the center of the Intake Manifold. Acrylic enamel .....qt. 64.95



**6758-R** 55/57, Tube, road draft . . .ea. 49.50  
**6870** 55/57, Gasket, road draft tube 1.95



**6915-6V** 55, Relay, Overdrive, 6V .ea. 295.00  
**6915-12V** 56/57, Relay, Overdrive, 12V 295.00

**6916-6V** 55, Solenoid, Overdrive, 6V . 495.00  
**6916-12V** 56/57, Solenoid, O.D, 12V . . 495.00  
**7693-R** 55/57, Seal, O.D. solenoid to case ..... 8.50

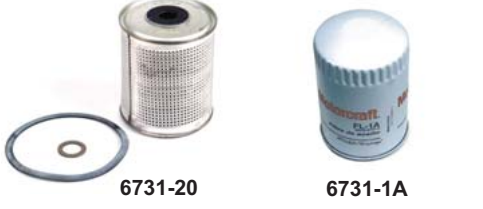
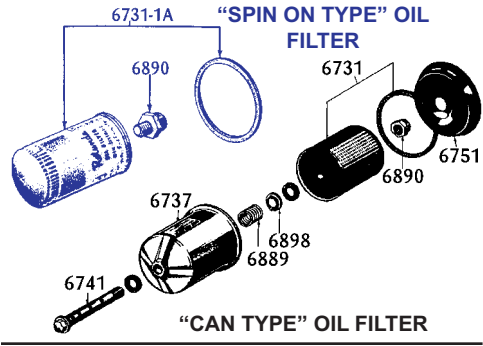
**6919** 55/57, Governor, Overdrive . . Inq.  
**6927** 55/57, Seal, Overdrive governor to housing . . . .ea. 1.50

**6941** 55/57, Cover, O.D. Governor . 5.95



**CONCOURS QUALITY BREATHER CAPS**  
'Exact Reproductions' with correct 'Logo'.

**6766-AR** 55/57, Chrome plated, used with dress up kit ..... 27.95  
**6766-CR** 55/56, Painted gloss black . . 17.95  
**6766-BR** 57, Painted gloss black, w/o engine dress up kit ..... 27.95



**6731-1A** "SPIN ON TYPE" OIL FILTER  
**6890** 55/57, Gasket, oil filter element ..... 7.50  
**6731** 55/57, Bolt, valve assembly; "Can type" filter .....ea. Inq.

**6737** 55/57, Bolt, valve assembly; "Can type" filter .....ea. Inq.

**6741** 55/57, Bolt, valve assembly; "Can type" filter .....ea. Inq.



**6758-K** **ADAPTER KIT - TO ATTACH AN AFTERMARKET PVC SMOG DEVICE**

**6758-AK** 55/56 .....kit 54.95  
**6758-BK** 57 .....kit 64.95



**6838** 55/57, Gasket, oil filter . . .ea. 1.60  
**6869** 55/57, Cover, cyl. block vent . 7.50  
**APK-218 - Vent block off cover (#6869) to engine block . . . . 1.80**

**6872** 55/57, Gasket, cylinder block vent cover . . . . .ea. 1.05

**6890-A** 55/57, Adapter bushing, can type filter to engine block .ea. 39.95

**6882-KIT** 55/57, Oil Filter Adapter kit, to convert "Can type" filter to "Spin-on type" . . . . .kit 29.95

**6889** 55/57, Spring, oil filter element retaining . . . . .ea. 4.95



**6881-K** 55/57, Oil Filter Adapter kit & 'Spin-on' filter .....kit 35.95



**6960-R** 55/57, Kit, engine steady rest, 2 Req'd .....kit 16.95



**6960-BR\*** 55/57, Washer kit, engine steady rest, 2 Req'd . . . . .kit 5.50



**6960-S\*** 55/57, Rod, engine steady rest, 2 Req'd . . . . .ea. 6.50

**6966-RK\*** 55/57, Grommet kit, engine steady rest; (Contains 4 ea. - large & small grommets) . . . . .kit 9.95  
**\*Note: Included in #6960-R kit.**

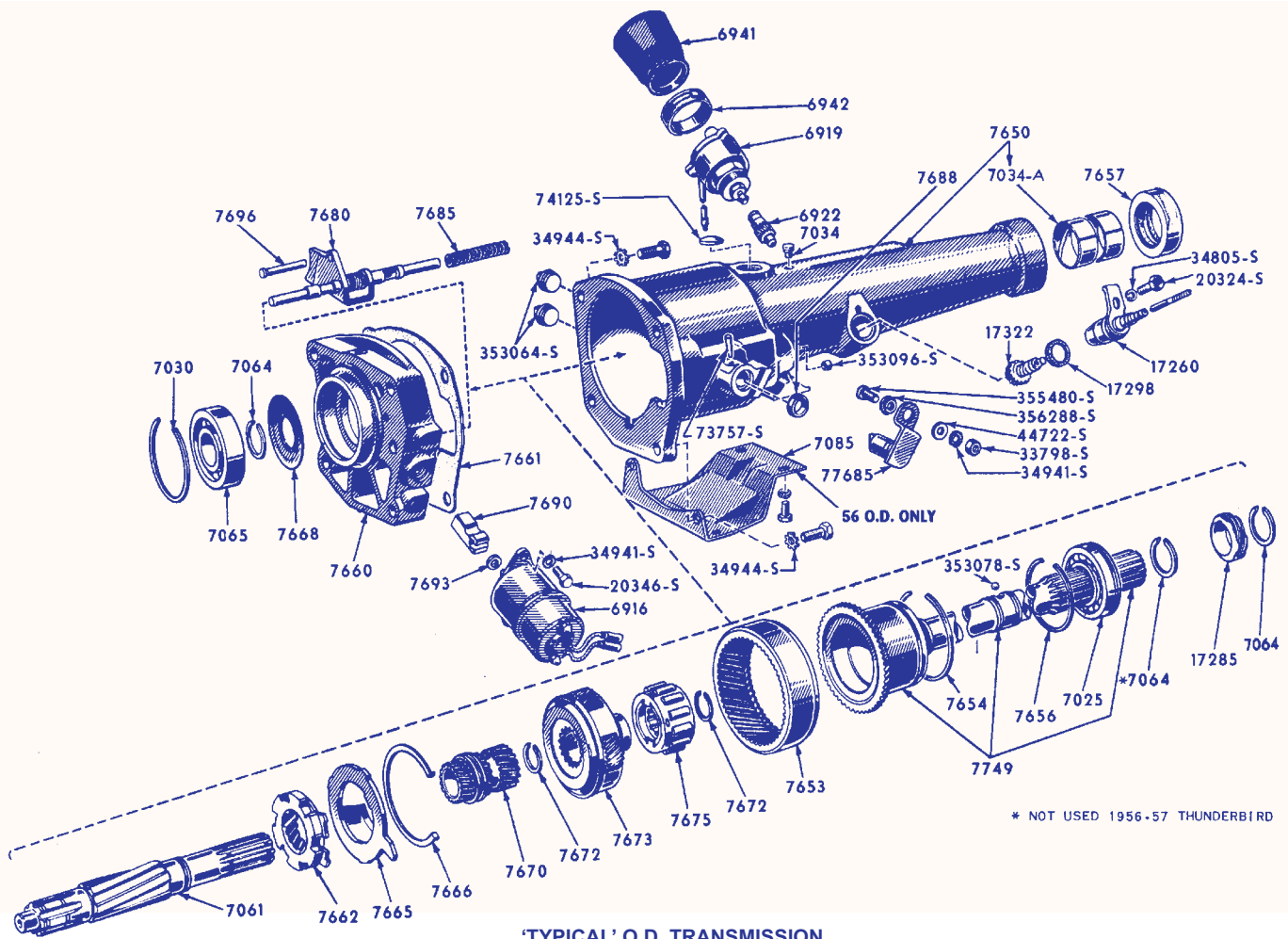


**6750-R** **DIPSTICK - ENGINE OIL**  
55/57, Dipstick, engine oil; An exact reproduction of original .....ea. 21.95

**6750** **DIPSTICK - ENGINE OIL**  
55/57, Dipstick, engine oil; An exact reproduction of original .....ea. 21.95

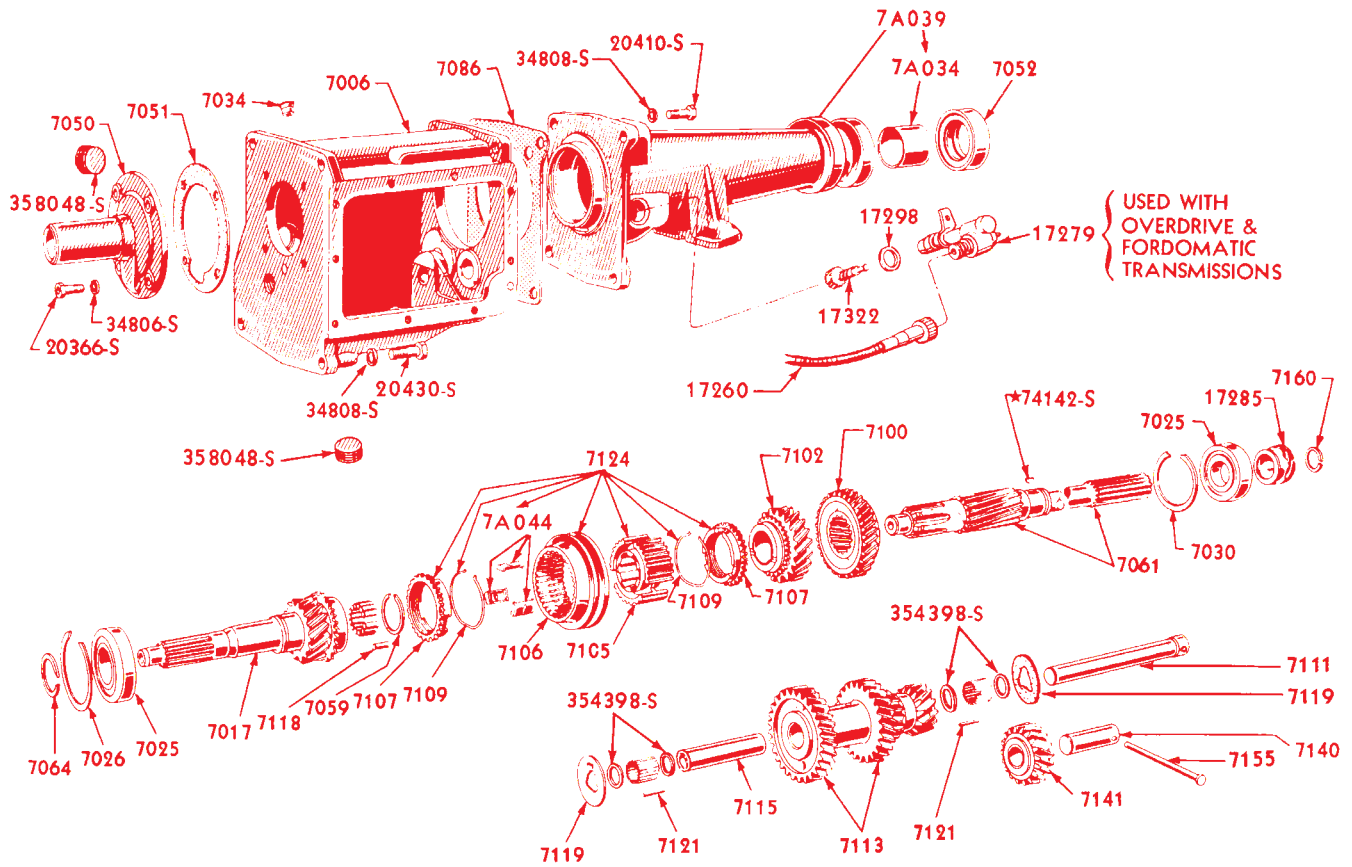
**C.T.C.I. AWARD!** **Note: Our Concours Quality reproduction qualifies for C.T.C.I. "Excellence in Authenticity" award!**

**6754** 55/57, Tube, oil dipstick . . .ea. 27.50



\* NOT USED 1956-57 THUNDERBIRD

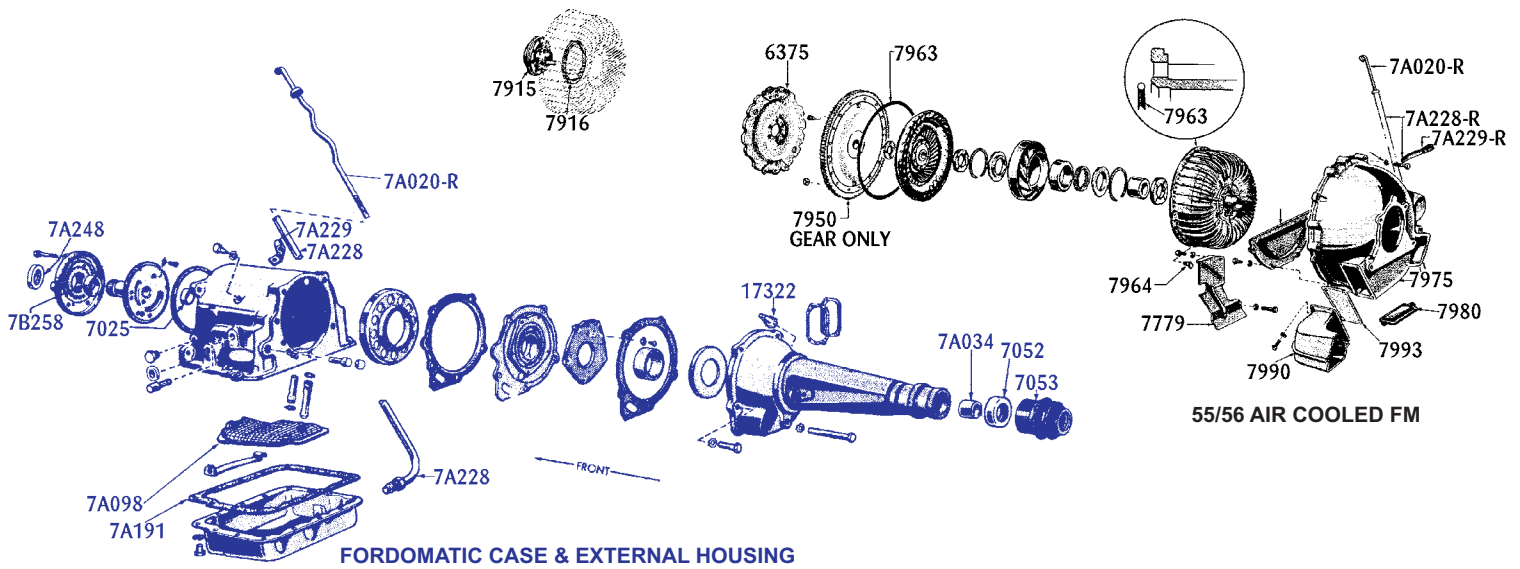
'TYPICAL' O.D. TRANSMISSION



USED WITH OVERDRIVE & FORDOMATIC TRANSMISSIONS

'TYPICAL' STANDARD TRANSMISSION





FORDOMATIC CASE & EXTERNAL HOUSING

55/56 AIR COOLED FM

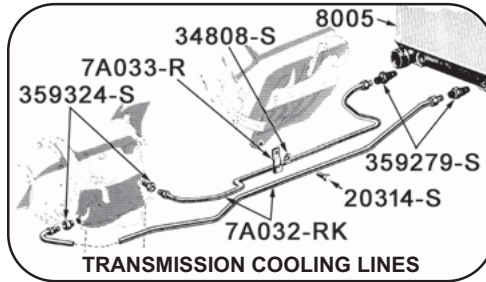


7001-K



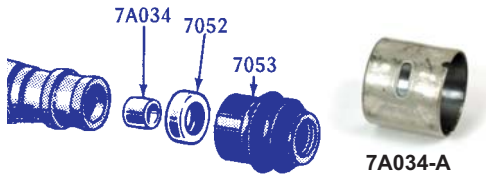
7001-CK

- 7001-K** 55/57, Kit, FM trans; Incls. all seals, gaskets & clutch plates . . . . .kit 159.95
- 7001-CK** 55/57, Kit, FM trans. flat gaskets & O-ring seals . . .kit 79.95
- Note: Also included in #7001-K.*



TRANSMISSION COOLING LINES

- 7A032 TRAN COOLING LINES - SET OF 2**
- 7A032-RK** 56/Early 57, Steel, As Orig . . . 49.95
- 7A032-RKS** 56/Early 57, Stainless . . . . . 69.95
- 7A032-BRK** Late 57, With "hump", Steel, As Original . . . . . 49.95
- 7A032-BRKS** Late 57, With "hump", Stainless Steel . . . . . 69.95
- 359279-S - Fitting, radiator to cooling lines, 2 Req'd . . . . . 4.95**
- 359324-S - Fitting, trans lines to trans case, 2 Req'd . . . . . 4.95**



7A034-A

- 7A034-A** Bushing, std type & FM rear extension housing, fits all 55/57 w/ FM, 3 spd. & O.D. trans. (except 56 & 57 with T-85 O.D.) . . . . . 19.95



7A020-R

- 7A020-R** 55/57, Dipstick, FM trans. fluid indicator . . . . .ea. 24.95
- Note: See #7A228-R for tube.*



7A033-R

- 7A033-R** 56/57, Clip, FM cooling lines to RH side of engine, 1 Req'd . . . . . 9.95



7052-A

7052-B

7053

- 7052 SEAL - TRANS EXTENSION HOUSING**
- 7052-A** 55/57, Fits all (except 56 & 57 w/ overdrive), 1 Req'd . . . 9.95
- 7052-B** 56/57, With overdrive, 1 Req'd . . . . .ea. 14.95
- 7053** 55/57, Dirt shield, trans . . . . . 21.50
- Note: These dust shields are missing from most transmissions.*



7A098-K

- 7A098-K** 55/57, FM oil pan gasket & FM oil filter screen . . . . .kit 34.50

- 7A098** 55/557, Screen, FM oil filter . . . . . 31.50

- 7A191** 55/57, Gasket, FM oil pan . . . . . 4.95



7153-B

7153-C

**7153 GASKET SET - STANDARD TRANSMISSION**

- 7153-B** 55, With Overdrive 55/56, Standard 3 speed . . . . .set 21.95
- 7153-C** 57, 292 engine . . . . .set 19.95



12128-R

12170-R

- 12128-R** 55/57, Plug, FM access hole, oblong . . . . .ea. 11.50

- 12170-R** 55/57, Gasket, FM adj. plate . . . . . 1.95



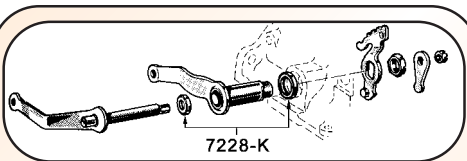
7A228-R

- 7A228-R** 55/57, Tube & bracket, FM transmission dipstick . . . . .ea. 24.95

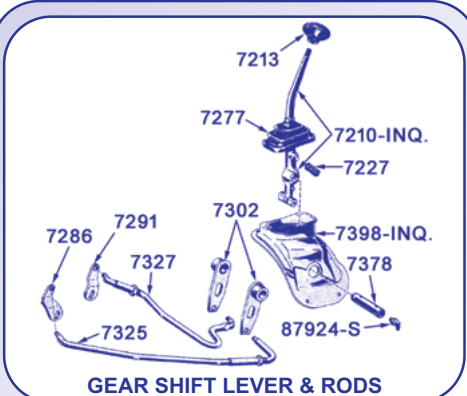


7A229-R

- 7A229-R** 55/57, Bracket only, FM transmission dipstick . . . . .ea. 5.95



**7228 FM THROTTLE CONTROL & SHIFTER LEVERS SEAL KIT**  
**KIT INCLUDES:**  
 1 ea. - Throttle Control Lever Seal  
 1 ea. - Shift Lever Seal  
**7228-K** 55/57, With FM medium case transmission . . . . .kit 12.95

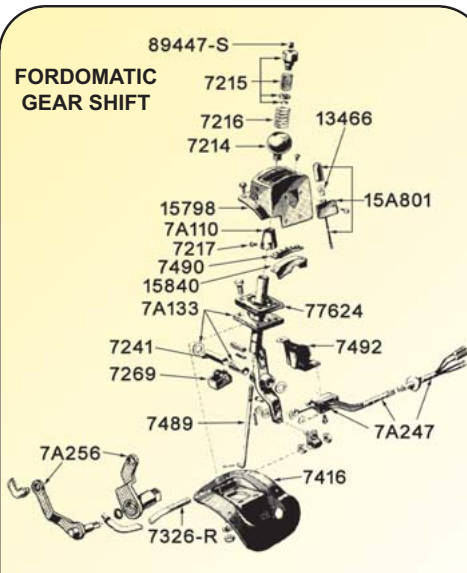


**GEAR SHIFT LEVER & RODS**  
**7277** 55/57, Boot, gear shift lever, Standard & O.D. . . . .ea. 19.50  
**7286-R** 56/57, Lever, Standard & O.D., 2nd & 3rd gear . . .ea. 34.95  
**7291-R** 55/57, Shift lever, low & rev. . . Inq.



**7302** 55/57, Lever, Std. shifter . . . 43.95  
**7325-R** 55/57, Shift rod, Standard, High & Intermediate . . . .ea. 104.95  
**7327-R** 55/57, Shift rod, low & reverse, Std. & O.D. . . . .ea. 98.50  
**7378** 55/57, Shaft, gear shift lever support . . . . .ea. 50.00  
**87924-S - Zerk Fitting, 90 degree** . . . . .ea. 2.50

**7A248** 55/57, Seal, FM front pump . . 10.95  
**7295** 55/57, Pin, park pawl toggle lever . . . . .ea. 16.95

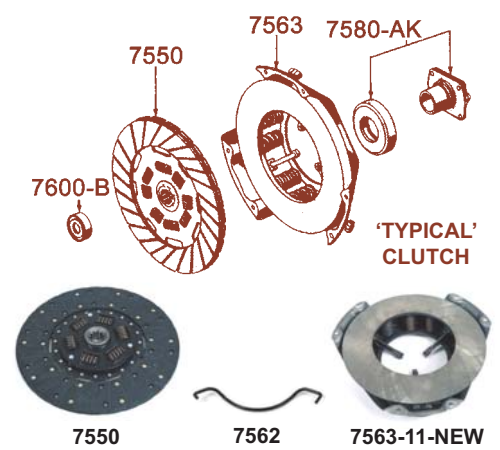


**89447-S FORDOMATIC GEAR SHIFT**  
**7215** 55/57, Shifter, chrome button, FM, w/ stainless set screw . . . . .21.60  
**7216-R** 55/57, Spring, FM shift lever button . . . . .1.98  
**7A110-R** 55/57, Pointer, FM shifter . . 134.95  
**7217-R** 55/57, Screw, FM shifter pointer . . . . . .79  
**7241** 55/57, Pivot pin, FM shifter . 8.95  
**7A247** 55/57, Switch, FM trans. neutral safety . . . . . Inq.  
**7A247-P** 55/57, Switch, neutral safety (car can be started in park) . . . . .117.76  
**7269** 55/57, Lever pawl, FM shifter . . . . .19.95  
**7326-R** 55/57, Shift rod, FM . . . .ea. 59.95  
**7416-A** 55, Shifter base, **Used** .ea. Inq.  
**7416-B** 56/57, Shifter base, **Used** . Inq.  
**15798** 55/57, Shifter hsg, **Used** . Inq.  
**7489** 55/57, Rod, FM shift release . 6.25  
**7492** 55/57, Bracket, FM neutral switch . . . . .19.95  
**7A133-RK** 55/57, FM shift lever, bush. & seals . . . . .4 pc. kit 9.59



**7513-R** 55/57, Dust shield, clutch release lever, leather type, As Original . . . . .ea. 24.50  
**7517** 55/57, Bushings, clutch release equalizer shaft . . .pr. 9.50  
**7523-R** 55/57, Spring, clutch or emergency brake retracting, As Req'd . . . .ea. 4.25  
**7527-R** 55/57, Seal, clutch pedal rod . 14.95

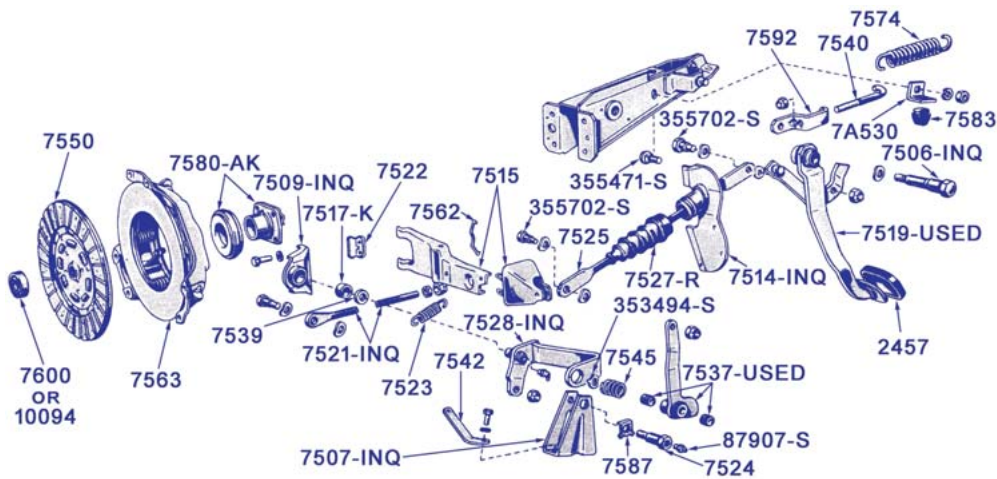
**7539** 55/57, Seal washer, clutch release shaft . . . . .ea. 1.50  
**7545** 55/57, Spring, clutch release bar . . . . .ea. 17.95



**7550** 55/57, Clutch disc, 11" . . .ea. 79.95  
**7562** 55/57, Spring, clutch release lever anti-rattle . . . . .ea. 5.95  
**7563-11-NEW** 55/57, Pressure plate, 11", new - No Core Charge . . . . 137.50  
*Note: We only sell this part new. It is a better part, plus there is no core to send back.*



**7574** 55/57, Spring, clutch pedal assist . . . . .ea. 6.44  
**7580-AK** 55/57, Bearing & hub assy, clutch release . . . . .ea. 29.95  
**7587** 55/57, Lock, clutch release lever shaft, **NOS** . . . . .ea. 13.95  
**7600-B** 55/57, Bearing . . . . .ea. 12.95



**CLUTCH & LINKAGE**



**A9AZ-7A650-A**

**A9AZ-7A650-A**

55/57, Overdrive Cable . . .ea. 50.00

**7A651**

55/57, Relay, O.D. trans. (6V or 12V) . . . . .ea. Inq.



**7A652**

**7A652** 55/57, Switch, O.D. kickdown 42.95



**7693-R**

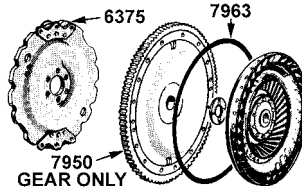
**7693-R** 55/57, Seal, O.D. solenoid . . 8.50

**7779-AR** 55/56, Splash shield, FM trans; Use with **air cooled transmission** . . .ea. 16.82

**7779-BR** 56/57, Splash shield, FM trans; Use with **water cooled transmission** . . .ea. 22.45



**6375-A**

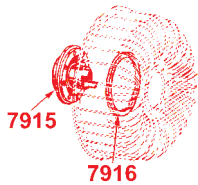


**7950-R** **GEAR ONLY**

**7963-R**

**7950-R** 55/57, Ring gear, FM starter, welds to torque converter .ea. 72.50  
**7963-R** 55/57, "O-Ring" seal, torque converter . . . . .ea. 8.50  
*Note: Also see #7916 gasket.*

**7980-BR** 56/57, Dust cover, bell housing; Use with **water cooled FM trans** . . . . .ea. 29.95



**7915** 55/56, Converter hub; Used with **air cooled FM transmissions** . . . . .ea. Inq.

**7916-R** 55/56, Gasket, converter hub . . . . .ea. 4.75



**7915**



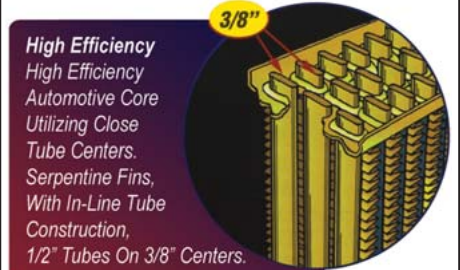
**7916-R**



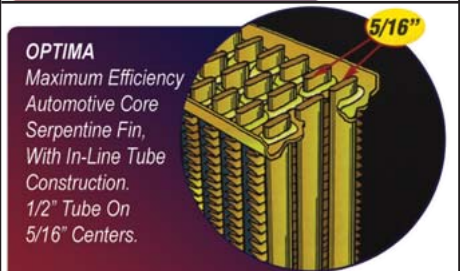
'TYPICAL' 8005



**Heavy-Duty**  
Standard Automotive Core. Serpentine Fin, With In-Line Tube Construction, 1/2" Tube On 9/16" Centers.



**High Efficiency**  
High Efficiency Automotive Core Utilizing Close Tube Centers. Serpentine Fins, With In-Line Tube Construction, 1/2" Tubes On 3/8" Centers.



**OPTIMA**  
Maximum Efficiency Automotive Core Serpentine Fin, With In-Line Tube Construction, 1/2" Tube On 5/16" Centers.

**RADIATORS**

**8005-STD** 55/57, 3 row core, As Orig . . 499.95

**8005-HD** 55/57, "Heavy Duty" 4 row core . . . . .ea. 574.95

**8005-HE** 55/57, "High Efficiency" 4 row core . . . . .ea. 619.95

**8005-OPTIMA** 55/57, "Optima" 4 row core . . 724.95

**8005-ALUM** 55/57, Alum. Radiator, light weight and superior cooling . 299.95

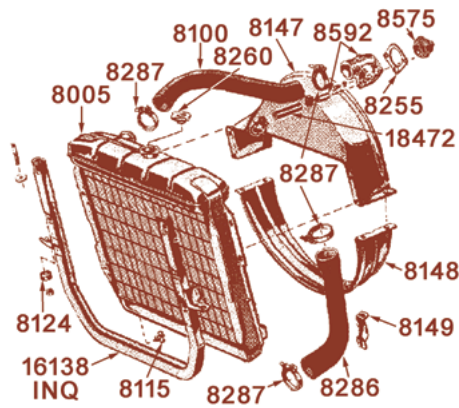
**8005-ALUM-P** 55/57, Polished Aluminum Radiator, light weight and superior cooling . . . . .ea. 329.95

*Note: Radiators do not come with drain cock, brackets, cap or cooling line fittings.*

**359279-S** - Fitting, rad. to cooling lines, 2 Req'd . . . . .ea. 3.95

**APK-84-A** - 55, Radiator to radiator support brace & replacement for 56/57, radiator to radiator support brace (#16138) . . . . .12 pcs. 2.50

**APK-84-C** - Rad support to body . . . . .18 pcs. 4.50



**8147-AR**

**RADIATOR INSTALLATION KIT**

INCLUDES:

- 1 - #8149-R, Fan shroud to rad. bracket
- 1 - #8115, Radiator drain cock
- 1 - #8147-AR, Upper fan shroud seal
- 1 - #8149-AR or BR, Lower rad. bracket
- 2 - #359279-S, Rad. to trans. line fitting



**8149-R** 55/57, Bracket, lower fan shroud to radiator . . . . .ea. 11.50  
**APK-93 - Lower fan shroud bracket** . . . . .8 pcs. 2.00



**8223** 55/57, Reinforcement panel, frt. of upper grille panel . .ea. 139.95



**8242 MOLDING - RADIATOR GRILLE**  
**8242-AR** 55/56, RH . . . . .ea. 42.70  
**8242-B** 57, RH . . . . .ea. 56.21  
**8243-AR** 55/56, LH . . . . .ea. 42.70  
**8243-B** 57, LH . . . . .ea. 56.21  
**APK-80 - Screw kit, to attach #8242/3 to side** . . . . .8 pcs. 1.50  
**APK-128 - Screw & clip kit, to attach #8242/3 to side** . .kit 3.50



**8005-RK** 55/57, Coolant overflow tank is designed for vehicles with overflow tube on the RH side (passenger) and original style fan shroud. Easy removal for Concours Shows.  
**Kit includes; Tank, CNC machined T-Bird specific bracket, Tubing & Instructions** . . . . .kit 39.95



**8115** 55/57, Drain cock, rad./engine 5.30  
**8CM-8115** 55/57, Drain cock, radiator. This Ford car type has a 90 degree spout that points down. **Not stock, but very practical** . . . . .ea. 9.95  
**8124** 55/57, Pad, rad. support . .pr. 7.95



**8006-R** 55/57, Tube, rad. overflow .ea. 21.50  
*Note: Also included in 8005 radiator assembly.*

**8147-AR** 55/57, Fan shroud kit, steel, upper & lower shrouds, plus #8147-AR seal . . . . .kit 199.95  
**8147** 55/57, Fan shroud, upper . . . 104.95  
**8148** 55/57, Fan shroud, lower . . . 94.50



**8100 RADIATOR CAP**  
**8100** 55/57, Chrome, Ford replacement . . . . . 10.50  
**8100-R** 55/57, Chrome, Exact repro . 27.50  
**C.T.C.I. AWARD!** *Note: Our Concours Quality Reputation qualifies for C.T.C.I. "Excellence in Authenticity" award!*

**8310 GRAVEL DEFLECTOR - RADIATOR - FIBERGLASS**  
**8310-AFR** 55/56 . . . . .ea. Inq.  
**8310-BFR** 57 . . . . .ea. Inq.



**8311-R** 55/57, Plate, lower rad. gravel deflector access hole . . . .ea. 6.25



**8104-FR** 55/57, RH, Deflector, rad. side air, fiberglass repro . .ea. 122.50  
**8105-FR** 55/57, LH, Deflector, rad. side air, fiberglass repro . .ea. 122.50



**8149 BRACKET & CAGED NUT ASSY - LOWER RADIATOR**  
**8149-AR** 55/56, With Standard or O.D. transmission 55/Early 56, "Air cooled" FM transmission . . . . .ea. 6.50  
**8149-BR** 57, With Standard or O.D. transmission Late 56/57, "Water cooled" FM trans . . . . .ea. 10.95  
*Note: These brackets solder to the lower rad. tank & include "caged" nut.*



**8419 STAINLESS MOLDING - UPPER GRILLE**  
**8419-A** 55/56 . . . . .ea. 59.95  
**APK-126 - Special "T-bolts" to attach #8419-A** . . . . .24 pcs. 6.40  
**8419-B** 57 . . . . .ea. 99.95  
**APK-127 - Special "T-bolts" to attach #8419-B** . . . . .24 pcs. 8.95



8200-BK

**1955/56 GRILL & GRILL MOLDING KIT**

Kit Includes:

- 1 - #8200-A, Grill
- 1 - #8419-A, Upper grill molding
- 1 - #8156, Lower grill molding
- 1 - #8242-AR, RH grill molding
- 1 - #8243-AR, LH grill molding
- 1 - #APK-125-A, Attaching parts kit
- 1 - #APK-126, T-bolts to attach upper grill molding

8200-AK	55/56, With Chrome Radiator Grill . . . . .kit	589.95
8200-AKS	55/56, With Stainless Radiator Grill . . . . .kit	Inq.

**INDIVIDUAL PIECES INCLUDED IN ABOVE KIT**

8200-A	55/56, Radiator grill, Chrome . . . . .ea.	374.95
8200-A-SS	55/56, Radiator grill, Stainless Steel . . . . .ea.	Inq.
8419-A	55/56, Upper grill molding . . .	59.95
8156	55/56, Lower grill molding . . .	89.95
8242-AR	55/56, RH grill molding . . .ea.	42.70
8243-AR	55/56, LH grill molding . . .ea.	42.70
APK-125-A	55/56, Kit to attach grill & moldings . . . . .kit	17.80
APK-126	55/56, T-bolts to attach #8419-A . . . . .kit	6.40

**1957 GRILL & GRILL MOLDING KIT**

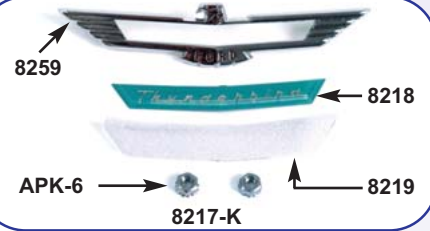
Kit Includes:

- 1 - #8200-B, Grill
- 1 - #8419-B, Upper grill molding
- 1 - #8242-B, RH grill molding
- 1 - #8243-B, LH grill molding
- 1 - #APK-125-B, Attaching parts kit
- 1 - #APK-127, T-bolts to attach upper grill molding

8200-BK	57, With Chrome Radiator Grill . . . . .kit	527.95
8200-BK-SS	57, With Stainless Radiator Grill . . . . .kit	Inq.

**INDIVIDUAL PIECES INCLUDED IN ABOVE KIT**

8200-B	57, Radiator grill, Chrome .ea.	374.95
8200-B-SS	57, Radiator grill, Stainless Steel . . . . .ea.	Inq.
8419-B	57, Upper grill molding . . . . .ea.	99.95
8242-B	57, RH grill molding . . . . .ea.	56.21
8243-B	57, LH grill molding . . . . .ea.	56.21
APK-125-B	57, Kit to attach grill & moldings . . . . .kit	17.80
APK-127	57, T-bolts to attach #8419-A . . . . .kit	8.95



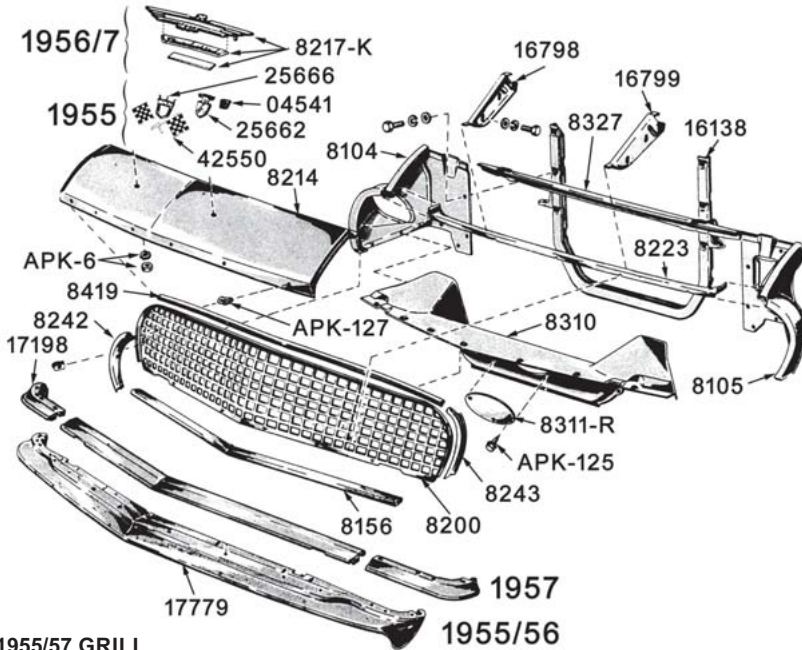
**FRONT GRILL PANEL ORNAMENT KIT**

Includes:

- 1 - #8259, Chrome ornament
  - 1 - #8218, Plastic "THUNDERBIRD" nameplate
  - 1 - #8219, Foam "Back-up" pad
  - 1 - #APK-6, Attaching parts kit
- 8217-K 56/57 . . . . .kit 51.50
- C.T.C.I. \*Note: Our Concours Quality AWARD! Reproduction qualifies for C.T.C.I. "Excellence in Authenticity" award!**

**INDIVIDUAL PIECES**

8218	56/57, "Thunderbird" plastic nameplate, front upper grille panel . . . . .ea.	18.57
8219	Rubber pad, grille ornament plastic . . . . .ea.	.50
8259	56/57, Grille ornament . . .ea.	33.71
	<b>APK-6 - Nut kit for #8259 .kit</b>	<b>.50</b>



1955/57 GRILL

**8200 GRILL - RADIATOR**

8200-A	55/56, Grill, radiator, Chrome . . . . .ea.	374.95
8200-A-SS	55/56, Grill, radiator, Stainless Steel . . . . .ea.	Inq.

8200-B	57, Grill, radiator, Chrome .ea.	374.95
8200-B-SS	57, Grill, radiator, Stainless Steel . . . . .ea.	Inq.

**APK-125-A** 55/56, Grill Kit; Attaches grill to body & #8156 lower molding; lower molding to #17779 gravel deflector; gravel deflector to #8310 radiator deflector, front fenders & rear deflector panels (#8104/5) & #8311-R access plate to radiator deflector panel . . . . .138 pcs. 17.80

**APK-125-B** 57, Grill Kit; Grill to body front chrome gravel deflector (#17202), chrome gravel deflector to #8310 deflector panel; deflector panel to #8104/5 side baffles; chrome gravel deflector to #17198/9 ends; ends to fenders, & #8311-R access plate to deflector panel . . . . .134 pcs. 17.80

8156 55/56, Molding, lower grill . . . 89.95  
**APK-5-A** - To attach #8156 lower molding to grill .16 pcs. 5.90  
**APK-5-B** - To attach #8156 to #17779 lower gravel deflector . . . . .16 pcs. 5.90



8214

8214 55/57, Upper grill panel outside skin, metal . . . . .ea. 425.00



8288-K

**RADIATOR HOSE & CLAMP KIT**

Exact reproduction of the original molded hoses stamped with correct Ford Engineering numbers & logo!

**INCLUDES:**

- 1 - #8260-FS, 'Script' upper hose
- 1 - #8286-FS, 'Script' lower hose
- 1 - #8287-K, Hose clamp kit

8288-K 55/57 .....kit 44.95



8260-FS



8286-FS

**8260 HOSE - UPPER RADIATOR - MOLDED TYPE**

8260 55/57 .....ea. 14.95  
 8260-FS 55/57, ORIGINAL FORD ENGINEERING (YELLOW) NUMBERS & LOGO!  
 Concours Quality .....ea. 19.95  
*Note: Also included in #8288-K kit.*

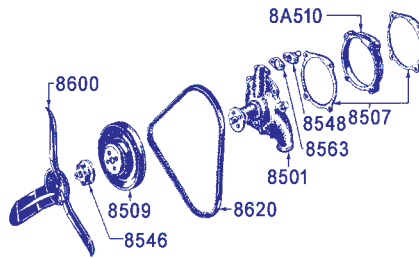
**8286 HOSE - LOWER RADIATOR - MOLDED TYPE**

8286-BR 55/57 .....ea. 13.95  
 8286-FS 55/57, ORIGINAL FORD ENGINEERING (YELLOW) NUMBERS & LOGO!  
 Concours Quality .....ea. 19.95  
*Note: Also included in #8288-K kit.*



8287-K

8287-K 55/57, Kit, upper & lower rad. hose clamps, **Reproduction of the originals** .....4 pcs. 11.95  
*Note: Also included in #8288-K kit.*



**8501 WATER PUMP**

8501-R 55/57, **New**, With original engineering #ECE-8505-B cast in housing .....ea. 124.95  
 8501-H 55/57, **High Output**, for better cooling .....ea. 149.95  
 8501 55/57, **New**, replacement .....ea. 87.50  
*APK-217-A - Water pump to engine w/ pwr. steering .8 pcs. 4.90*



8502-K

8502-K 55/57, Baffle, water pump; **Helps overheating** by restricting the impeller cavity & therefore increasing pump pressure! This **Stainless Steel** baffle is inserted between the water pump spacer (#8A510) & the front cover (#6019). Incls. 3 ea. - #8507 gaskets .....kit 24.95



8507

8509-SP

8507 55/57, Gasket, water pump to spacer & spacer to front cover. 2 Req'd .....ea. .95

8509-SP 55/57, Special Water Pump Pulley; This pulley is made 1" smaller in dia. This helps the water flow faster and cool better. **IF YOU HAVE A PROBLEM WITH OVERHEATING, THIS PULLEY IS FOR YOU!** .....ea. 99.95

8509-BR 55/57, Pulley, water pump & fan, original .....ea. 120.97



8A510-R

8546

18599

8A510-R 55/57, Spacer, water pump to front cover .....ea. 52.50  
 8546 55/57, Spacer, fan pulley to fan, 1.18" thick .....ea. 13.95  
 18599 55/57, Elbow, water pump to heater hose .....ea. 12.95



8548

8563

8575-A

8548 55/57, Tube, water bypass ... 9.95  
 8563 55/57, Gasket, water bypass tube .....ea. .95  
 8575-A 55/57, 160 Thermostat ...ea. 10.95  
 8575-B 55/57, 180 Thermostat ...ea. 10.95  
*Note: Use with #8255 gasket.*



8592

8601-R

8600-BHD

8592 55/57, Housing, thermostat, with **CORRECT FORD ENGINEERING NUMBERS!** **Concours quality** .....ea. 52.95  
 8255 55/57, Gasket, thermostat hsg. to intake manifold ...ea. .90  
*APK-225 - Thermostat housing (#8592) to intake manifold & bypass tube (#8548) to water pump .8 pcs. 2.25*

8600-BHD 55/57, Fan, 6 blade, **Heavy Duty Extra Cooling** .....ea. 69.95  
*APK-234 - Fan to water pump .....8 pcs. 2.90*

8601-R 55/57, Reinforcement plate, for orig. Ford 55/56 3 blade fans. A must for cars with 3 blade fans to help prevent metal fatigue cracking! **Check your fan now for cracks! These 3 blade fans come apart & ruin radiators & sheet metal** .....ea. 20.50

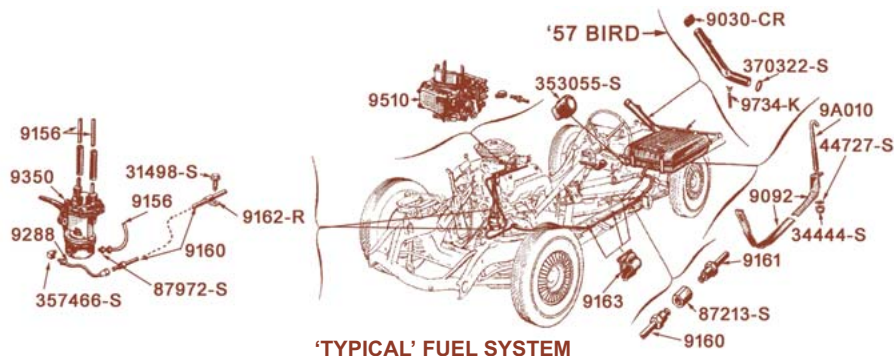


'TYPICAL' 8620

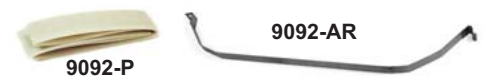
8620 **BELT - FAN OR POWER STEERING PUMP**  
 8620-A 55/57, Replacement .....ea. 13.95



PHOTO COURTESY OF: JOHN GEORGANTIS



'TYPICAL' FUEL SYSTEM



- 9092 STRAP - GAS TANK MOUNTING**
- 9092-AR 55/56, 2 Req'd .....ea. 13.95  
 9092-BR 57, 2 Req'd .....ea. 13.95
- 9092-P 55/57, Pad, fits between #9092 strap & tank .....pr. 3.95  
*Note: See #9003-K for tank to pad kit.*



- 9202 FLOAT - FUEL TANK SENDING UNIT**
- 9202-A 55/56 .....ea. 9.95  
 9202-B 57 .....ea. 5.75
- 9270-PTK 55/56, Kit, Fuel tank conversion .....kit 149.95



9002-AK

**FUEL TANK KIT**

**INCLUDES:** *New Reproduction Tank  
 Tank to floor pad kit  
 New straps  
 Strap bolts & Strap pads.*

'55/'56 Kit includes filler neck grommet  
 '57 Kit includes filler neck to tank O-ring

- 9002-AK 55 .....kit 324.95  
 9002-AKS 55, Stainless tank with steel straps & bolts .....kit 359.95  
 9002-BK 56 .....kit 324.95  
 9002-BKS 56, Stainless tank with steel straps & bolts .....kit 359.95  
 9002-CK 57 (#9034-B - filler neck sold separate) .....kit 309.95  
 9002-CKS 57, Stainless tank with steel straps & bolts .....kit Inq.



9002-AR 370322-S

**9002 GAS TANK - REPRODUCTION TANK - WITH DRAIN PLUG**

STAINLESS STEEL

- 9002-ARS 55 .....ea. 299.95  
 9002-BRS 56 .....ea. 299.95  
 9002-CRS 57 .....ea. Inq.

ZINC COATED - AS ORIGINAL

- 9002-AR 55 .....ea. 274.95  
 9002-BR 56 .....ea. 274.95  
 9002-CR 57 .....ea. 274.95  
 370322-S - O-ring, 57 filler neck to tank .....ea. 2.25



9003-AK 9003-BK

**9003-K RUBBER PADS - INSULATES GAS TANK TO TRUNK FLOOR**

- 9003-AK 55/56 .....12 pcs. 6.95  
 9003-BK 57 .....6 pcs. 3.50



9A010-AR 9A010-B

**9A010 BOLT - GAS TANK STRAP**

- 9A010-AR 55/56, 2 Req'd .....ea. 6.05  
 9A010-B 57, 2 Req'd .....ea. 4.99

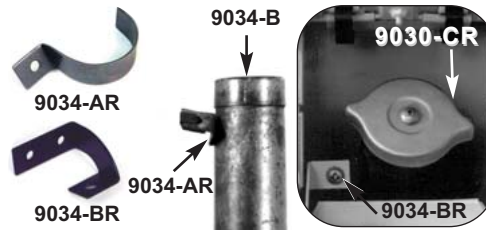


9030-AR 9030-BR 9030-CR

**9030 GAS CAP - EXACT CONCOURS QUALITY REPRODUCTION**

- 9030-AR\* 55, Low profile type, in order to clear nuts on the gas filler door ornament ..... 24.37  
 9030-BR\* 56/Early 57 .....ea. 24.37  
 9030-CR\* Later 57 .....ea. 24.37

**C.T.C.I. AWARD!**  
*\*Note: Our Concours Quality Reproduction qualifies for C.T.C.I. "Excellence in Authenticity" award!*



#9324-RK ATTACHES HERE THEN TO GAS TANK

9034-B

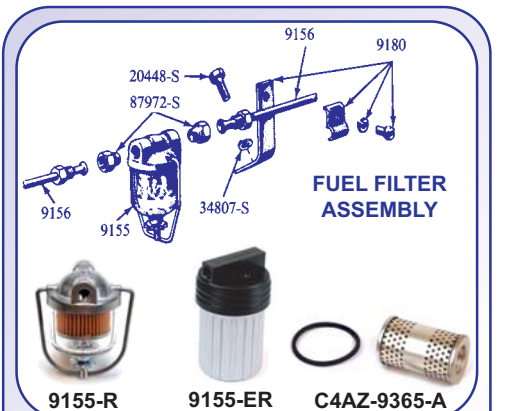
**9034 BRACKET - GAS TANK FILLER NECK**

- 9034-AR 57, Bracket, tank filler neck . . . 13.95  
 9034-BR 57, Bracket, gas tank filler neck bracket to quarter panel ..... 11.95  
 APK-101 - Gas neck bracket (#9034-BR) to body, 57 2 pcs. .95  
 APK-114 - Gas tank strap to body bracket, 57 . . . 3 pcs. 1.70  
 9034-B 57, Gas tank filler neck . . . . 159.95



9324-RK 9080-R

- 9324-RK 57, Kit, gas tank vent hose & clamps .....kit 2.95  
 9080-R 55/56, Grommet, gas tank filler neck to body .....ea. 8.95



**FUEL FILTER ASSEMBLY**

**9155 FUEL FILTER ASSEMBLY**

- 9155-R 55/57, Repro, As Original .ea. 49.95  
 9155 55/57, Replacement . . . .ea. 27.95  
 9155-ER 57, With dual 4V carbs, filter has engineering # ECT-9155-AB stamped on top .....ea. Inq.  
 87972-S-Fitting filter(2) or pump(1) .....ea. 4.25

- C4AZ-9365-A 57, Filter element for #9155-ER assembly . . . .ea. 6.95

- 9154-CAN 57, Canister only for the above 'E' model fuel filter #9155-ER . . . .ea. Inq.



9180-RK 2010-R

- 9180-RK 55/57, Bracket assy, Fuel filter; Incl. 1 ea. - #9180, #9B281, #3480-S & #27081-S .....kit 9.30  
 2010-R - Clip, 56/57, power brake vac line .....ea. 3.95



9156-CR

**KIT - FUEL & VACUUM LINES**  
(2 Ea. Fuel & Vacuum Lines)

9156-BR	55, Steel, As Original . . . . .kit	50.28
9156-BRS	55, Stainless Steel . . . . .kit	59.95
9156-CR	56, Steel, As Original . . . . .kit	50.28
9156-CRS	56, Stainless Steel . . . . .kit	59.95
9156-DR	57, Steel, As Original . . . . .kit	50.28
9156-DRS	57, Stainless steel . . . . .kit	64.95
9156-ER	57, 8 pc kit, for "E" model cars with dual 4B carbs; 4 ea. - fuel; 2 ea. - vac.; 1 ea. - dist. vac. & power brake vac. lines, Steel, As Original . . . . .kit	Inq.

**INDIVIDUAL FUEL LINES - STEEL**

9156-BPF	55/57, Fuel pump to filter . . .	14.95
9156-BFC	55, Filter to carburetor . . .ea.	16.95
9156-CFC	56, Filter to carburetor . . .ea.	15.95
9156-DFC	57, Filter to carburetor, with original carb . . . . .ea.	18.95
9156-AR	Clips, hold vacuum lines together . . . . .pr.	3.10
	<b>87972-S - Brass fitting . . .ea.</b>	<b>4.25</b>

**FUEL PUMP TO FUEL TANK LINE KIT**

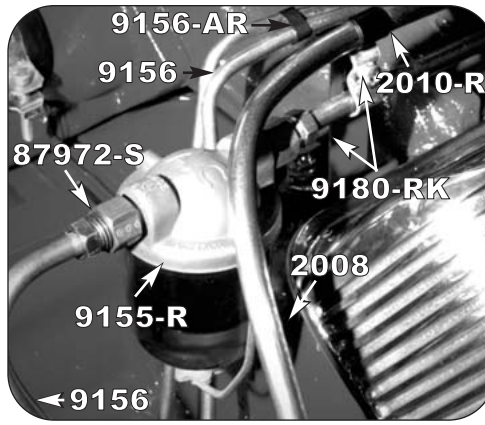
INCLUDES:

- 1 - #9160, Fuel line
- 1 - #9161, Fuel line
- 1 - #87213-S, Brass fitting
- 3 - #9163, Clips - to side frame
- 1 - #9162, Clip - to front top frame 1955

9160-AK	55, Steel, As Original . . . . .kit	109.95
9160-AKS	55, Stainless Steel . . . . .kit	149.95
	<b>1956/57</b>	
9160-BK	56/57, Steel, As Orig. . . . .kit	109.95
9160-BKS	56/57, Stainless Steel . . . . .kit	149.95

**INDIVIDUAL FUEL LINES**

9160-R	55/57, Front fuel line; Fits from fuel pump flex line to mid frame, Steel, As Original . . . . .ea.	41.58
9160-RS	55/57, As above, Stainless Steel . . . . .ea.	62.50
9161-AR	55, Rear fuel line, mid frame to tank, Steel, As Original . . . . .ea.	41.58
9161-ARS	55, As above, Stainless Steel . . . . .ea.	62.50
9161-BR	56/57, Rear fuel line, mid frame to tank, Steel, As Original . . . . .ea.	41.58
9161-BRS	56/57, As above, Stainless Steel . . . . .ea.	62.50
	<b>87213-S - Fitting, fuel line connector . . . . .ea.</b>	<b>3.49</b>
9162	55/57, Clip, front fuel line; Attaches to frame with screw, 1 Req'd . . . . .ea.	2.25
9163	55/57, Clip, fuel lines to side of frame, 3 Req'd . . .ea.	4.25



<b>9275</b>	<b>SENDER - FUEL GAUGE</b>	
9275-A	55, 6V, reproduction . . . . .ea.	56.95
9275-B	56, 12V, reproduction . . . . .ea.	59.95
	<b>APK-87 - Kit, screws for #9275-A/B . . . . .6 pcs.</b>	<b>1.95</b>
9275-C	57 . . . . .ea.	72.50



9276-AR	55/56, Gasket, fuel sender . . . . .ea.	1.60
9276-BR	57, Gasket, fuel sender . . . . .ea.	1.60
9277-R	57, Lock ring, fuel sender . . .	10.35



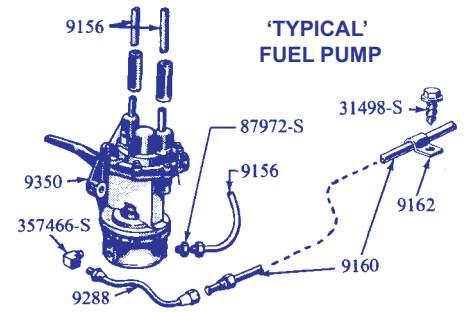
9278	Sender, oil pressure gauge . .	10.50
14322-R	Wire, oil pressure sender . . .	6.95
9288	Fuel flex line, black, replacement . . . . .ea.	9.25



9324-RK	57, Kit, gas tank vent hose & clamps . . . . .kit	2.95
---------	---	------



9348-K	55/57, Fuel Pump Installation Kit - Includes; #9350-Fuel Pump; #9417-Gasket; #9288-Flex Line; #87972-S-Fitting, fuel pump to line; #357466-S-Elbow fitting, fuel pump to flex line . . . . .kit	124.95
--------	---	--------



9350	55/57, Fuel pump, NEW, double action, incl. gasket . . .	109.95
	<b>87972-S - Fitting, fuel pump to #9156 line . . . . .ea.</b>	<b>4.25</b>
	<b>357466-S - Elbow fitting, fuel pump to #9288 flex line . . .ea.</b>	<b>3.50</b>
	<b>APK-226 - Kit, fuel pump to front cover . . . . .4 pcs.</b>	<b>1.60</b>
9417	55/57, Gasket, fuel pump mounting . . . . .ea.	1.00



9350-E6V	55, Electric fuel pump, 6V . . .	59.95
9350-E12V	56/57, Electric fuel pump, 12V	59.95



9365	55/57, Replacement strainer & gasket, fuel filter . . . . .ea.	6.95
C4AZ-9365-A	57, Filter element for #9155-ER Assy, "E" model . .	6.95



9430-PR	55/57, Gasket set, (optional) exhaust manifolds to cylinder head . . . . .pr.	15.50
9433-TZ	55/57, Gasket set, intake manifold; These have "RESTRICTED" heat riser ports & will prevent paint burn off on intake manifold! . . . . .set of 2	16.95







9447-AR 9447-BR 9447-CR 9447-DR

- 9447-AR** 55, Gasket "pack", intake manifold to carb; Set of 2 extra thick gaskets that also serves as a spacer to keep excess heat from the carb . . . . .pr. 5.30
- 9447-BR** 56, Gasket, intake manifold to carb. reqs. only one as 56 uses no spacer . . . . .ea. 2.10
- 9447-CR** 57, Gasket, intake man. to #9A589 spacer & carb. to spacer with 4B carb, 2 Req'd . . . . .ea. 2.10
- 9447-DR** 57, Gasket, intake man. to carb, with 2 barrel carb . . . . .ea. 2.95
- Note: See #9A589 for 1957 spacer.*



9492-R



9503-B

- 9492-R** 57, Heat tube end "mushroom" plug . . . . .ea. 8.95  
*Note: Also included in #9891-K kit.*
- 9503** **DIAPHRAGM - SECONDARY THROTTLE**
- 9503-A** 55/56 57, "E" & "F" model . . . . .ea. 28.95
- 9503-B** 57 . . . . .ea. 12.95  
*Note: Use with #9590 kit.*



9510



9520-R

- 9510** 57, **NEW** Holley carb; A proper CFM replacement type; **Must be used with #9520-R to clear air cleaner** . . . . .ea. Inq.
- 9520-R** 57, "**Special fitting**" used with #9510 **NEW carb.** to assure proper fitting of air cleaner. Includes fitting and fuel line to fuel filter . . . . .ea. 22.75



9B549



9B550-AR



9B550-BR

- 9B550** **BRACKET - DASH POT**
- 9B549** 55/57, Dash pot, FM trans. throttle slow closing . . . . .ea. Inq.
- 9B550-AR** 55/56 . . . . .ea. 28.95
- 9B550-BR** 57 . . . . .ea. 20.95



9424-57-ALM



9424-55-U



9424-56-U



9424-57-U



9A589

- 9424** **INTAKE MANIFOLD**
- 9424-57-ALM** 57, 4V Alum. replacement intake manifold with attaching parts. **This is a beautiful high quality part!** . . . 749.95
- 9424-55-U** 55, 4V, Nice used original . . . . .Inq.
- 9424-56-U** 56, 4V, Nice used original . . . . .Inq.
- 9424-57-U** 57, 4V, Nice used original . . . . .Inq.
- 9424-55-U2V** 57, 2V, Nice used original . . . . .Inq.
- APK-221** - Intake manifold carb. studs . . . . .4 pcs. 9.95
- APK-222** - Intake manifold to engine. (Does not include 4 center studs or cupped washers) . . . . .15 pcs. 4.95
- APK-223** - 55/56 carburetor to intake manifold, (Nuts & washers only) . . . . .8 pcs. 3.40
- APK-224** - 57 carburetor to intake manifold, (Nuts & washers only) . . . . .8 pcs. 1.95
- Note: We usually have nice used original manifolds in stock.*

- 9A589** **INTAKE MANIFOLD SPACER**
- 9A589** 57, Spacer, intake manifold to carburetor, **correct size** . . . 44.95  
*Note: Use with #9447-CR gaskets.*



9590-MRK



9590-57-MRK

**CARB 'MAJOR OVERHAUL' KIT**  
*Includes many necessary parts that are not included in minor "Tune Kit" listed below.*

- ✓ #9503, Secondary Throttle Valve
- ✓ New Idle Screws
- ✓ New Type Accelerator Pump
- ✓ Many more Gaskets, O-Rings & Seals

- 9590-MRK** 55/56 . . . . .kit 74.95
- 9590-57-MRK** 57, 4V w/ original carb .kit 69.95



9590-BK



9590-CK

- 9590-K** **KIT - CARBURETOR 'TUNE UP'**
- 9590-BK** 56, All 57, with dual 4V carbs. or Supercharger . . . . .ea. 45.50
- 9590-CK** 57, 4V with original carb . .ea. 47.95

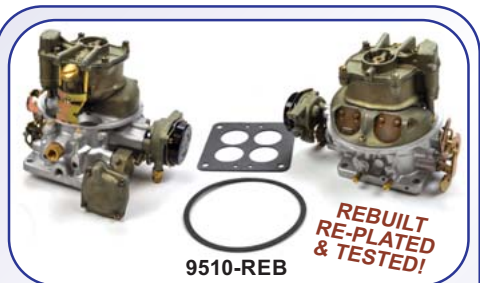


9572



9A599-R

- 9572** 55/57, Cup, accelerator pump, **new style** . . . . .ea. 7.95
- 9A599-R** 55, Rod, automatic choke .ea. 13.95



9510-REB

**RESTORED CARBURETOR - EXCHANGE**

*OUR CARBURETORS AREN'T JUST REBUILT, THEY ARE RESTORED!*

*Ours carburetors are Rebuilt, Re-plated, & Tested to make sure that you get a quality part for your 'Classic Bird'*

CARBURETOR ARRIVE AT YOUR DOOR JUST AS PICTURED ABOVE, INCLUDES GASKETS TOO!

- 9510-AREB** 55 . . . . .ea. 365.00
- 9510-BREB** 56 . . . . .ea. 365.00
- 9510-CREB** 57 . . . . .ea. 395.00
- Refundable Core Charge** . . . 300.00





9600-55



9600-57



9600-A

**AIR CLEANER ASSEMBLY**

Our quality reproduction "looks" like the original oil bath type, but actually has a "dry" type filter element inside!

9600-55	55	.....ea.	464.95
9600-56	56	.....ea.	464.95
9600-57	57	.....ea.	464.95
9600-A	55/56, Repro. oil bath air cleaner, As Original	.....ea.	315.95



9601-AR

9601-A

9601-B

**9601 ELEMENT - AIR CLEANER**

9601-AR	55/56, Used with replacement air cleaner	.....	14.75
9601-A	57	.....ea.	11.50
9601-B	57, With 2-4V Carbs.	.....ea.	32.50



9600-AK

**AIR CLEANER OVERHAUL KIT**

Includes everything you need to restore your air cleaner

- 1 - #P5, Argent paint
- 1 - #9602-R, Cork - Air cleaner to hood
- 1 - #9654, Gasket - Air cleaner to carb.
- 1 - #6A or 6B, Decal

9600-AK	55/56, (Also includes #9673-R)	.....kit	20.95
9600-BK	57	.....kit	19.95

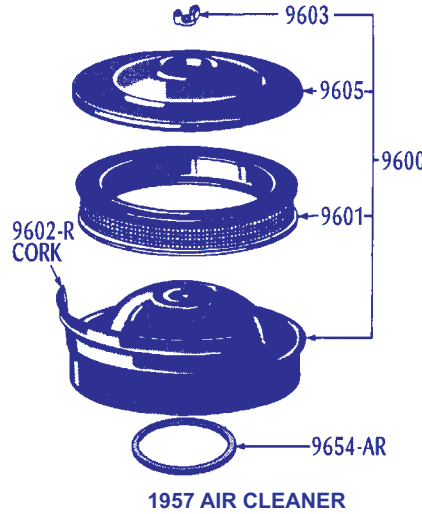


9602-R

9603-AR

9603-BR

9602-R	55/57, Cork, air cleaner to hood	.....ea.	4.25
9603-AR	55/56, All	.....ea.	
	57, With super charger; Chrome air cleaner wing nut	.....ea.	3.00
9603-BR	57, Chrome air cleaner wing nut	.....ea.	3.00



1957 AIR CLEANER

HIGH QUALITY!

WON'T RUST



9605-AR

9605-BR

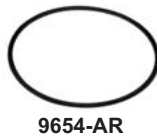
**9605 COVER - AIR CLEANER**

STAINLESS STEEL

9605-AR	55/56, Stainless Steel	.....ea.	224.95
9605-BR	57, Stainless Steel	.....ea.	189.95

CHROME

9605-AC	55/56, Chrome plated	.....ea.	Inq.
9605-BC	57, Chrome plated	.....ea.	Inq.



9654-AR

9654-AR	Gasket, air cleaner to carburetor	.....ea.	2.25
---------	-----------------------------------	----------	------



9A659-AR

9A659-BR

371773-S

**9A659 STUD - AIR CLEANER TO CARBURETOR**

9A659-AR	55	.....ea.	10.95
9A659-BR	56	.....ea.	10.95
371773-S	57	.....ea.	3.20



9673-R

9673-R	55/56, Gasket, inside oil bath air cleaner	.....ea.	2.00
--------	--	----------	------



9725-BR

9725-AR	55, All	.....ea.	Inq.
	56, With M/T; Accelerator assembly	.....ea.	Inq.
9725-BR	56/57, With FM; Accelerator assembly; Mounts to firewall	.....ea.	Inq.
9725-B	56/57, Accelerator bell crank rod assembly; use with FM trans, reproduction	.....ea.	149.95
	<b>APK-242 - Kit to attach #9725-BR to firewall &amp; engine</b>	.....4 pcs.	.75



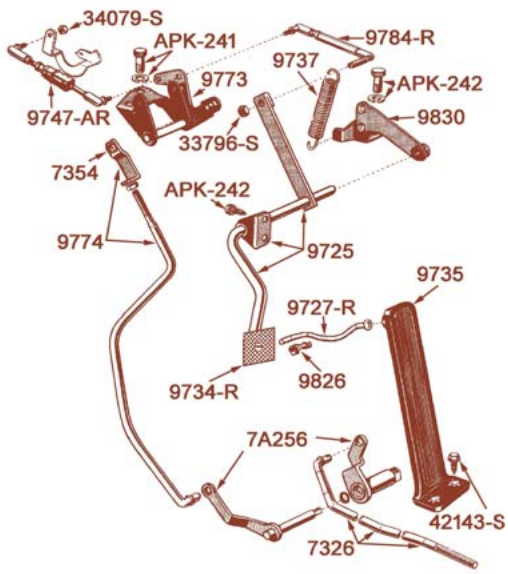
9727-R

9734-R

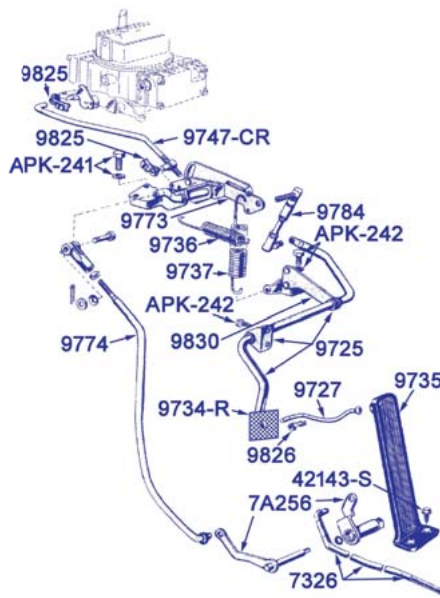
9727-R	55/57, Rod, accelerator to gas pedal	.....ea.	8.95
9734-R	55/57, Cork seal, fits under gas pedal to eliminate Thunderbird 'Hot Foot'	.....	1.00



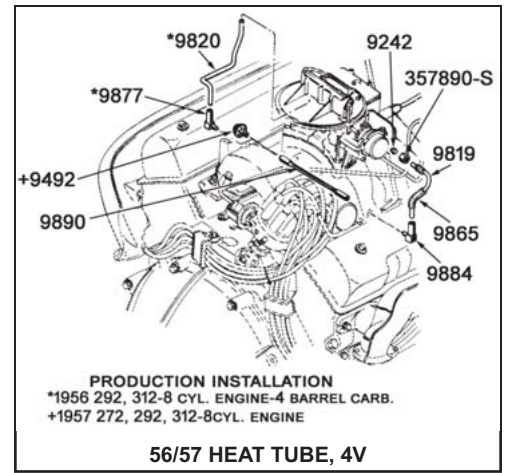
PHOTO COURTESY OF: JOHN GEORGANTIS



**55 FM & 55/56 STANDARD  
'TYPICAL' ACCELERATOR LINKAGE**



**56/57 FM 'TYPICAL'  
ACCELERATOR LINKAGE**



**9735** 55/57, Gas pedal . . . . .ea. 15.95  
**42143-S** - Screw to attach  
**#9735 pedal, 2 Req'd** . . . . . .40  
**9736-R** 55/57, Spring, throttle kick-down 4.44



**9737** **SPRING - THROTTLE RETURN**  
**9737-AR** 55/56, Stick . . . . .ea. 4.44  
**9737-BR** 56, FM, 57 as above . . . . .ea. 5.95  
**9737-CR** 57, "E" with dual 4V carbs,  
as above . . . . .ea. 5.95



**9747** **ROD - CARBURETOR  
BELLCRANK TO CARBURETOR**  
**9747-BR** 55, All . . . . .ea. 90.95  
**9747-CR** 56, Std. 3 speed & O.D. . . . .ea. 13.75



**9773** **BELL CRANK ASSEMBLY -  
THROTTLE**  
**9773-A** 55, All . . . . .ea. 89.95  
**9773-C** 56, M/T . . . . .ea. Inq.  
57, With FM . . . . .ea. Inq.  
**APK-241** - Kit to attach  
**#9773 bellcrank to intake  
manifold** . . . . . .4 pcs. .75



**9774** **KICK DOWN ROD - FM**  
**9774-A** 55/56, With air cooled FM . . . . .Inq.  
**9774-B** 56/57, With water cooled FM . . . . .Inq.

**9784-R** 55/57, Link rod; Bellcrank to  
accelerator . . . . .ea. 54.95

**9819** **OUTLET TUBE - AUTO CHOKE  
CONTROL WITH FITTINGS**  
*(Also supplied in #9891-K kit)*  
**9819-AR** 56, Steel, As Original . . . . .ea. 4.50  
**9819-ARS** 56, Stainless Steel . . . . .ea. 6.95  
**9819-BR** 57, Steel, As Original . . . . .ea. 4.50  
**9819-BRS** 57, Stainless Steel . . . . .ea. 6.95

**9820** **INLET TUBE - AUTO CHOKE  
CONTROL WITH FITTINGS**  
*(Also supplied in #9891-K Kit)*  
**9820-AR** 55, Steel, As Original . . . . .ea. 9.95  
**9820-ARS** 55, Stainless Steel . . . . .ea. 14.95  
**9820-BR** 56, Steel, As Original . . . . .ea. 23.95  
**9820-BRS** 56, Stainless Steel . . . . .ea. 28.95

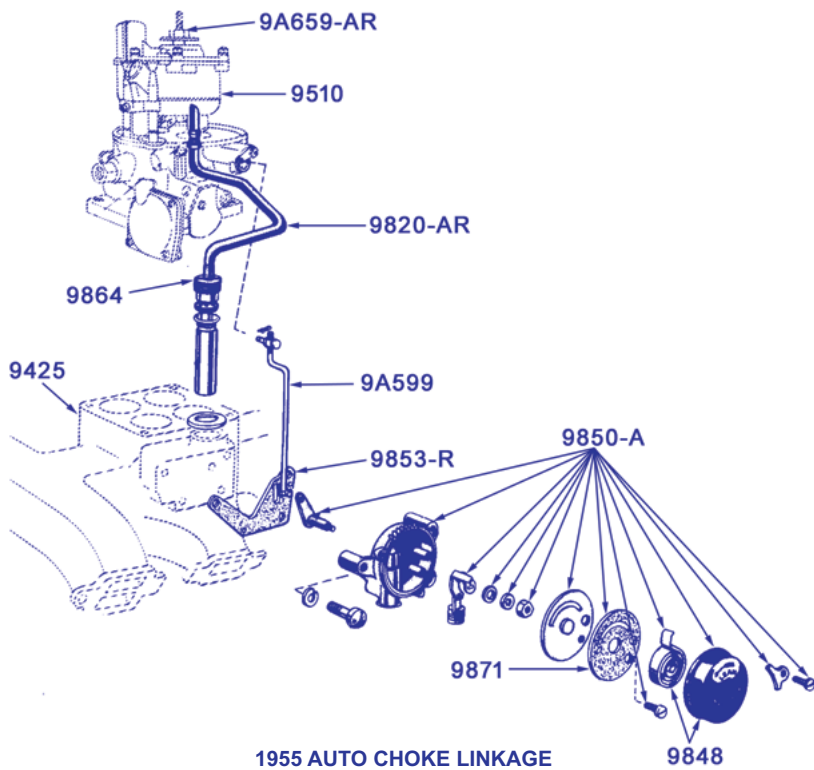


**9825** 55/57, RH, Clip, Carburetor  
linkage . . . . .ea. .65  
**9826** 55/57, LH, Clip, Accelerator  
linkage . . . . .ea. .65

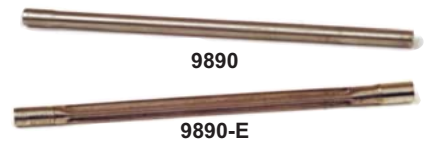


**9830** **SUPPORT - ACCELERATOR  
BELLCRANK**  
**9830** 55, All . . . . .ea. 65.00  
56/57, Standard . . . . .ea. 65.00

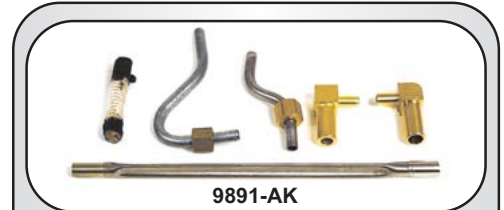
**LET US BE YOUR  
'CLASSIC' FORD PARTS SUPPLIER**  
SERVICING ALL YOUR PARTS NEEDS FOR:  
/ '55-'57 THUNDERBIRD / '48-'72 FORD TRUCK  
/ '58-'66 THUNDERBIRD / '60-'72 GALAXIE  
/ '49-'59 'BIG FORD' CAR / '62-'72 FAIRLANE  
/ '49-'56 MERCURY CAR / '68-'71 TORINO



1955 AUTO CHOKE LINKAGE



- 9890 56/57, Heat tube, auto choke, 7.62" .....ea. 21.95  
**Note: Also included in #9891-K.**  
 9890-E 57, Choke tube, with 2-4B carbs .....ea. 15.95



9891-AK



9891-BK

**AUTO CHOKE HEAT TUBE FITTING, TUBE & INSULATOR KIT**

- 9891-AK 56; Includes; 1 ea. - #9819-AR, #9820-BR, #9865-AR, #9877-R, #9884-R, #9890, #9242 & #357980-S .....kit 74.95  
 9891-AKS 56, With stainless #9819-ARS & 9820-BRS ..... 79.95  
 9891-BK 57, With 4V carb; Incls: 1 ea. - #9819-BR, #9865-BR, #9884-R, #9492-R, #9890, #9242, & #357980-S .....kit 48.50  
 9891-BKS 57, With stainless #9819-BRS .....kit 54.95



- 9850 AUTOMATIC CHOKE ASSY. - NEW OLD STOCK**  
 9850-A 55, Mounts on right side on intake manifold .....ea. Inq.  
 9850-B 56, Mounts on carburetor 57, With 2-4 barrel carburetors .....ea. Inq.  
 9850-C 57, With original 4 barrel or 2 barrel carb .....ea. Inq.  
 9848 55/57, Cover & spring, auto choke .....ea. 19.95



9865-AR

- 9865 INSULATOR - AUTO CHOKE TUBE**  
 9865-AR 56 .....ea. 3.95  
 9865-BR 57, With 4V Carb .....ea. 4.50  
 9865-CR 57, With 2V Carb or 2-4V Carb .....ea. 4.50  
**Note: Also included in #9891-K.**



9871-AR

- 9871 GASKET - AUTO CHOKE COVER**  
 9871-AR 55/56 .....ea. 2.15  
 9871-BR 57 .....ea. 2.15



- 9853-R 55, Gasket, choke hsg to manifold .....ea. 1.20  
 9861-R 56, All 57, With 2-4V; Shield, auto choke .....ea. 10.50



- 9877-R 56, Elbow, choke tube inlet .....ea. 12.00  
 9884-R 56/57, Elbow, choke tube outlet .....ea. 12.00  
**Note: #9877 & #9884 incl. in #9891-K.**

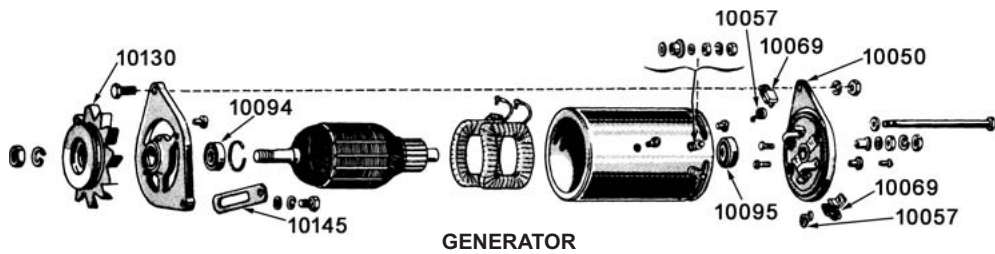


9864-R

- 9864-R 55, Nut, auto choke, in manifold .....ea. 12.95



PHOTO COURTESY OF: JOELENE MUSCAT



GENERATOR



**ALTERNATOR ADAPTER KIT**

Convert your T-Bird from a generator to an alternator electrical system. We sell an adapter kit that allows you to mount an alternator in your existing generator location.

- 10346-6V** 55, 6V kit includes:  
Adapter kit and **65 amp**  
alternator .....ea. 199.95
- 10346-12V** 55/57, 12V kit includes:  
Adapter kit and **65 amp**  
alternator .....ea. 199.95



10002

**GENERATOR - REBUILT**

Includes new front & rear bearings, brushes, & springs; Armature turned & re-surfaced & then tested for continuity.

- 10002-6V** 55, 6 Volt .....ea. 164.95
- 10002-12V** 56/57, 12 Volt .....ea. 164.95
- Refundable core charge ... 125.00

*Note: Remove your old pulley & re-install on new rebuilt generator. Make sure your existing pulley (#10130) is a correct T-Bird type. The generator belt must be lined up with the fan & crankshaft pulleys. If not, order #10130 pulley.*

- APK-237-A** - Generator to all 3 brackets. Use w/ generators with stamped steel end plate (#10050) .....6 pcs. 3.50
- APK-237-B** - Generator to all 3 brackets. Use w/ generators with cast end plate (#10050) .....9 pcs. 3.50



10130

- 10130** 55/57, Pulley, generator (*special T-Bird type*) .....ea. 109.95
- Note: Over the years rebuilt generators have been installed on T-Birds with a wrong pulley installed. If your generator belt is not lined up with the fan pulley, it is incorrect.*



10505-A/B 10505-BF 9A 9B

**VOLTAGE REGULATOR**

**GENUINE FORD (MOTORCRAFT)**

- 10505-BF** 56/57, 12 Volt .....ea. Inq.
- Note: #10505-BF is a Ford replacement part & is accepted by C.T.C.I. in Concours d'Elegance. But in order to be eligible for the "Excellence in Authenticity" award you must have an original regulator.*

**REPLACEMENT TYPE**

- 10505-A** 55, 6 Volt .....ea. 49.95
- 10505-B** 56/57, 12 Volt .....ea. 74.95
- 9A** - Decal, voltage regulator cover, 55 .....ea. 1.50
- 9B** - Decal, voltage regulator cover, 56/57 .....ea. 1.50
- APK-209** - Voltage regulator to inner fender panel ...3 pcs. .90



10001-AK

**GENERATOR OVERHAUL KIT**

**INCLUDES:**

- 1 - #10094, Front bearing
- 1 - #10095, Rear bearing
- 1 - #10069, Set of brushes
- 2 - #10057, Brush spring

- 10001-AK** 55, 6 Volt .....kit 34.95
- 10001-BK** 56/57, 12 Volt .....kit 34.50



10145-R 10151-R 10153-R

- 10145-R** 55/57, Arm, generator belt adjusting .....ea. 14.91
- 10151-R** 55/57, Bracket, generator mounting to front engine cover, cast type .....ea. 44.95
- 10153-R** 55/57, Bracket, generator top support .....ea. 9.58



10211-AC 10211-AS

**10211 GENERATOR END PLATE CONVERSION**

(Converts Ford car end plate to Bird type so that the studs clear the cylinder head.)

- 10211-AC** 55/56, With "Cast Type" end plate .....ea. 20.00
- 10211-AS** 57, With "Stamped Steel Type" end plate .....ea. 20.00
- Note: Check your end plate as it may have either of these because of replacement.*

- 10057\*** 55/57, Spring, generator brush, 2 Req'd .....ea. 3.50





10655-2N-SP 10655-29N-SP 10655-32N-SP

Our sealed, maintenance-free batteries are **100% correct!** These batteries are made of premium quality materials that exceed the original specifications. They have caps that are **correct in color and design** for your specific battery.

*You will not find a more authentic looking battery on the market today!*

**10655 BATTERY**

10655-2N-SP 55, 6V .....ea. 394.95  
10655-2N-12V

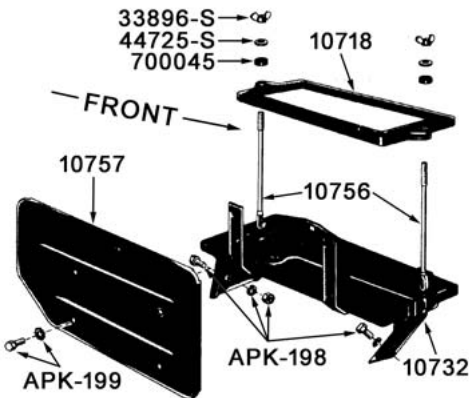
55, 12V, Looks like orig.  
6V battery, but it is 12V ..... 394.95

**10655-29N-SP**

56/57, Group 29NF, 12V,  
Sealed, maintenance free ... 394.95

**10655-32N-SP**

56/57, Group 32NF, 12V,  
Sealed, maintenance free ... 394.95



“TYPICAL” BATTERY CARRIER



10758-BK

**BATTERY TRAY MAJOR KIT**

**INCLUDES:**

- 1 - #10732, Battery tray
- 1 - #10717-K, Battery clamp kit
- 1 - #APK-198, Attaching parts kit
- 1 - #APK-199, Attaching parts kit

10758-AK 55, Used with 2N battery . .kit 94.95

10758-BK 56/57, Used with group 29 battery .....kit 104.95

10758-CK 56/57, Used with group 32 battery .....kit 124.95

*Note: Also refer to #10757 for heat shield.*



10732-ARK

10732-BRK

**BATTERY TRAY**

*Exact reproduction painted black with all nuts welded in.*

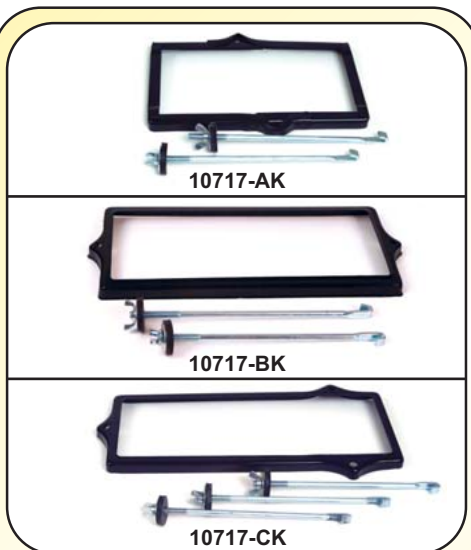
10732-ARK 55, Use with 2N (6V battery) .....ea. 69.95

*APK-198-A - 55, Battery tray kit .....14 pcs. 1.95*

10732-BRK 56/57, Use with group 29 or 32 (12V battery) .....ea. 69.95

*APK-198-B - 56/57, Battery tray kit .....16 pcs. 4.95*

*Note: Also included in #10758-K kit.*



10717-AK

10717-BK

10717-CK

**BATTERY HOLD DOWN CLAMP KIT**

*Includes: Clamp & proper quantities of bolts, nuts, washers & grommets!*

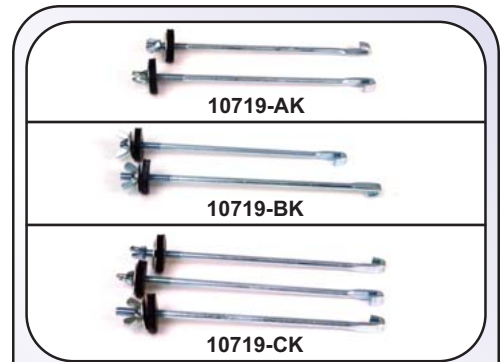
10717-AK 55, Includes: clamp & 2 ea. - proper shaped bolts of correct length, flat washers, grommets & “cast type” wing nuts ... .kit 24.95

*Note: Also refer to #10721-R brckt.*

10717-BK 56/57, With grp. 29 battery; Includes: clamp & 2 ea. - proper shaped bolts of correct length, flat washers, grommets & correct “stamped steel” wing nuts ... 34.95

10717-CK 56/57, With grp. 32 battery; Includes: clamp & 3 ea.- proper shaped bolts of correct length, flat washers, grommets & correct “stamped steel” wing nuts ... 54.95

*Note: Also included in #10758-K.*



10719-AK

10719-BK

10719-CK

**BATTERY BOLTS & ATTACH. PARTS KIT**

10719-AK 55, Includes 2 ea. - correct type bolts, flat washers, “cast” nuts & grommets .....kit 9.95

10719-BK 56/57, With grp. 29 battery; Includes 2 ea. - correct type bolts, flat washers, “stamped steel” nuts & grommets .....kit 12.95

10719-CK 56/57, With grp. 32 battery; Includes 3 ea. - correct type bolts, flat washers, “stamped steel” nuts & grommets .....kit 19.95

*Note: Also included in #10758-K.*



10718-AR

10718-BR

10718-C

**10718 BATTERY HOLD DOWN CLAMP**

10718-AR 55, Use with group 2N, 6V battery; Painted black ... 12.95

*Note: Also refer to #10721-R brckt.*

10718-BR 56/57, Use with grp. 29N, 12V battery; painted black, 2 hole type .....ea. 20.95

10718-C 56/57, Use with grp. 32N, 12V battery; 3 hole type 5-1/2" x 14" .....ea. 36.50

*Note: Above clamps are also included in #10717-K & #10758-K.*



10721-R

10721-R 55, Bracket, battery hold down; Bolts to inner fender panel .....ea. 7.32

*Note: The '55 inner fender panel has a nut welded into it to receive this bracket.*



10756-AR

10756-BR

**10756 BATTERY BOLT**

*Of correct length, shape & cad finish!*

- 10756-AR 56/57, 5/16" x 9 3/4" - Use with group 29 battery. 1 Req'd at rear of battery . . . 4.50
- 10756-BR 55, 5/16" x 9" - 2 Req'd. 56/57, With group 29 battery, 1 Req'd. 56/57, With grp. 32 battery, 3 Req'd . . . . .ea. 4.50



33896-S 33896-SR 44725-S 700045-AR

**INDIVIDUAL NUTS-WASHERS-GROMMETS**

- 33896-S 55, "Cast" wing nut., 2 Req'd . . . . .ea. .60
  - 33896-SR 56/57, Stamped type wing nut w/ "slots". **Our Exact Repro!** 2 or 3 Req'd . . . . .ea. 1.95
  - 44725-S 55/57, Washer, battery hold down. **Our Exact Repro!** 2 or 3 Req'd . . . . .ea. .70
  - 700045-AR 55/57, Grommet set, battery clamp . . . . .set of 2 1.30
  - 700045-BR 56/57, Grommet set, battery clamp . . . . .set of 3 1.75
- Note: Also included in #10717-K, #10719-K, & #10758-K kits.**



10757-AR

10757-BR

**10757 BATTERY HEAT SHIELD - EXACT REPRODUCTION**

- 10757-AR 55 . . . . .ea. 32.00
- 10757-BR 56/57 . . . . .ea. 40.00
- APK-199-A - 55 bolt kit, heat shield to tray . . . . .kit .65
- APK-199-B - 56/57 bolt kit, heat shield to tray . . . . .kit 1.25



10883-B

10883-AR/BR

- 10883-A 55, 12V, kit, Temperature gauge conversion. . . . . 149.95
- 10883-B 56, 12V, kit, Temperature gauge conversion. . . . . 149.95
- 10883-AR 55/56, 6V, Temperature gauge . . . . .ea. 82.50
- 10883-BR 55/56, 12V, Temperature gauge . . . . .ea. 82.50



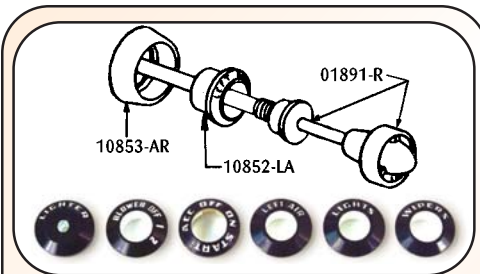
10884-A/B 10911-AR 10884-C 10911-BR

**10884 TEMPERATURE SENDER - LOCATED IN LH CYLINDER HEAD**

- 10884-A 55, 6 Volt, (use with #10911-AR) . . . . .ea. 52.50
- 10884-B 56, 12 Volt, (use with #10911-AR) . . . . .ea. 52.50
- 10884-C 57, 12 Volt, (use with #10911-BR) . . . . .ea. 15.50

**10911 ADAPTER BUSHING - TEMPERATURE SENDER**

- 10911-AR 55/56 . . . . .ea. 14.95
- 10911-BR 57 . . . . .ea. 14.95



**DASH KNOB BEZEL**

- 10852-CL 55/57, Cigar Lighter . . . . .ea. 17.95
- 10852-HB 55/57, Heater Blower switch . . . . .ea. 17.95
- 10852-LA 55/57, Left Air . . . . .ea. 17.95
- 10852-LI 55/57, Lights . . . . .ea. 17.95
- 10852-WI 55/57, Wiper Control . . . . .ea. 17.95
- 11580-IG 55/57, Ignition Switch . . . . .ea. 19.95
- 10853-AR 55/57, Chrome Dash bezel. 5 Req'd . . . . .ea. 12.95
- 15059 55/57, Lighter bezel . . . . .ea. 21.95



10852-K

**10852-K PLASTIC NAME BEZEL KIT**

- ✓ 1 ea. - 10852-CL, Cigar Lighter bezel
  - ✓ 1 ea. - 10852-HB, Heater Blower Switch bezel
  - ✓ 1 ea. - 10852-LA, Left Air bezel
  - ✓ 1 ea. - 10852-LI, Lights bezel
  - ✓ 1 ea. - 10852-WI, Wiper Control bezel
  - ✓ 1 ea. - 11580-IG, Ignition Switch bezel
- 10852-K 55/57, Plastic bezels .6 pc. kit 99.95



10853-K

**10853-K CHROME BEZEL KIT**

- ✓ 1 ea. - 15059, Cigar Lighter bezel
  - ✓ 5 ea. - 10853-AR, Chrome Dash bezel
- 10853-K 55/57, Chrome bezels 6 pc. kit 83.95



10854-55-K

**10854-K KNOB KIT**

- ✓ 1 ea. - 15056-K, Cigar Lighter knob
  - ✓ 1 ea. - 18513-R, Dash knob
  - ✓ 1 ea. - 11661-A or B, Headlamp knob
  - ✓ 1 ea. - 17513-R, Wiper Control knob
  - ✓ 1 ea. - 01891-R, Vent Cable assembly
- 10854-55-K 55/56, Knob kit . . . . .5 pc. kit 124.95
- 10854-57-K 57, Knob kit . . . . .5 pc. kit 123.95



- A10 55/57, Wrench for removing The slotted chrome nuts That retain the dash bezels . . . 6.95



10851-MK-55

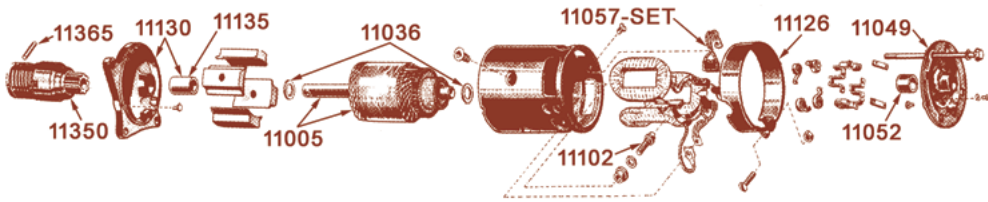
**DASH KNOBS & BEZELS MAJOR KIT**

**Kit INCLUDES:**

- ✓ 1 ea. - 10852-CL, Cigar Lighter bezel
- ✓ 1 ea. - 10852-HB, Heater Blower Switch bezel
- ✓ 1 ea. - 10852-LA, Left Air bezel
- ✓ 1 ea. - 10852-LI, Lights bezel
- ✓ 1 ea. - 10852-WI, Wiper Control bezel
- ✓ 1 ea. - 11580-IG, Ignition Switch bezel
- ✓ 1 ea. - 15059, Cigar Lighter bezel
- ✓ 5 ea. - 10853-AR, Chrome Dash bezel
- ✓ 1 ea. - 15056-K, Cigar Lighter knob
- ✓ 1 ea. - 18513-R, Dash knob
- ✓ 1 ea. - 11661-A or B, Headlamp knob
- ✓ 1 ea. - 17513-R, Wiper Control knob
- ✓ 1 ea. - 01891-R, Vent Cable assembly

- 10851-MK-55 55/56 . . . . .kit 304.95
- 10851-MK-57 57 . . . . .kit 304.95





**STARTER - NEW**

- 11002-NEW6V 55, 6 Volt . . . . .ea. 199.95
- 11002-NEW12V 56/57, 12 Volt . . . . .ea. 199.95

**REBUILT STARTER - EXCHANGE**

**INCLUDES:**

- New bushings -
- New thrust washers front & rear
- New brushes
- New brush springs
- Turned armature
- Bench tested

- 11002-B5S\* 55, 6 Volt . . . . .ea. 169.95
  - 11002-B6S\* 56/57, 12 Volt . . . . .ea. 169.95
  - \*Refundable Core Charge . . . . .**125.00**
  - 6436-BR 55/57, Seal, starter to engine, **original type** . . . . .ea. 12.50
- Note: Refer to #11350 drive & #11365 pin.*



11058-K

**STARTER OVERHAUL KIT**

**INCLUDES:**

- 1 - #11052, Bushing
- 1 - #11102, Stud
- 1 - #11135, Bushing
- 2 - #11036, Thrust washer
- 1 - #11057, Brush set

**INDIVIDUAL PARTS IN ABOVE KIT**

- 11036 55/57, Thrust washer, starter armature . . . . .ea. 1.00
- 11052 55/57, Bushing, starter motor, front . . . . .ea. 2.85
- 11057 55/57, Brush set, starter motor . . . . .ea. 10.95
- 11102 55/57, Stud, starter cable . . . . .ea. 8.95
- 11135 55/57, Bushing, starter motor rear end plate . . . . .ea. 3.57



11126 11350 11365

- 11049 55/57, End plate & bushing; Starter motor front . . . . .Inq.
- 11126 55/57, Band, starter dust cover . . . . .ea. 5.20
- 11350 55/57, Starter bendix drive assembly . . . . .ea. 59.95
- 11365 55/57, Pin, starter bendix to starter . . . . .ea. 1.95



11450-C

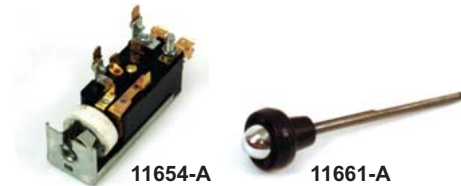
- 11450 STARTER SOLENOID**
- 11450-A 55, 6 Volt, replacement . . . . . 24.95
- 11450-B 56/57, 12V, replacement . . . . . 17.95
- 11450-C\* 56/57, 12 Volt, **brown body, as original, with correct 'FoMoCo' lettering & studs** . . . . . 37.50



- 11572 55/57, Ignition switch . . . . .ea. 29.95
- 11580-IG 55/57, Ignition switch plastic bezel, "ON-OFF-ACC" . . . . .ea. 19.95
- 11582 55/57, Cylinder & key, ignition switch . . . . .ea. 14.95
- Note: Also included in #22050-K lock cylinder major kit.*
- 11585-R 55/57, Retainer nut, Ignition switch retainer . . . . .ea. 14.95



- 11650-A 55/56, Nut, headlight switch retainer . . . . .ea. 16.95
- 11650-B 57, Nut, headlight switch retainer . . . . .ea. 16.95



- 11654 HEADLAMP SWITCH**
- 11654-A 55, 6 Volt . . . . .ea. 50.00
- 11654-B 56/57, 12 Volt . . . . .ea. 54.95
- 11661 KNOB WITH SHAFT - HEADLAMP SWITCH**
- 11661-A 55/56 . . . . .ea. 20.95
- 11661-B 57 . . . . .ea. 20.95
- Note: See #10852-L bezel.*



12000-FT 12029-FT-B/C

**SOLID-STATE BREAKERLESS ELECTRONIC IGNITION SYSTEM**

**BENEFITS:**

- Never change points again
- Increased horsepower
- Improved fuel economy
- Easy install, no complicated wiring
- Increase spark plug life by 2-3 times
- No contacts to burn, pit or corrode
- No moving & rubbing parts to wear out
- \*Guaranteed for 30 months.

- \*12000-FT-54/55 55, 6V, Positive ground . . . . . 107.95
- \*12000-FT-55/56 55/56 . . . . .ea. 107.95
- \*12000-FT 57 . . . . .ea. 94.95
- 12000-MK Mallory Ignitor Conversion, to be used with Mallory Distributors . . . . .ea. 84.95
- \*Note: Must use coil listed below for it to work correctly.*

**HIGH PERFORMANCE COIL**

The Flame-Thrower Coil can benefit virtually any distributor type induction system. The higher voltage allows larger spark plug gaps for added power, smoother response and better fuel economy. They are oil filled for better cooling & voltage insulation.

- 12029-FT-B 55/57, 12v, Black . . . . .ea. 41.50
- 12029-FT-C 55/57, 12v, Chrome . . . . .ea. 42.95



12000-AK 12000-BK

**DISTRIBUTOR TUNE UP KIT**

- 1 - #12171, Point Set
- 1 - #12300, Condenser
- 1 - #12200, Rotor

- 12000-AK 55/56 . . . . .kit 19.95
- 12000-BK 57 . . . . .kit 18.50
- Note: Also included in #12001-K.*



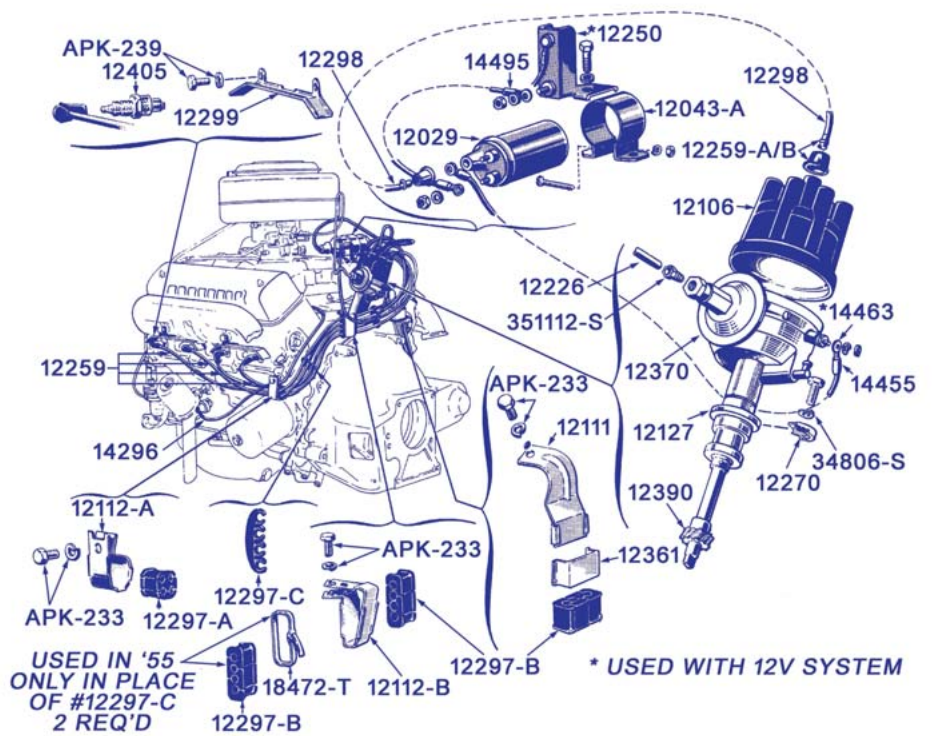
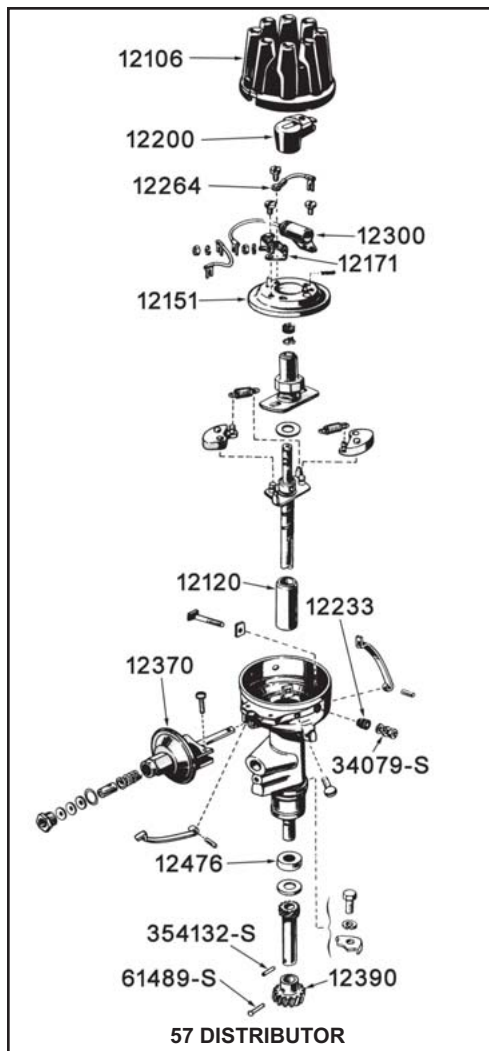
12001-BK

**IGNITION OVERHAUL KIT**

**INCLUDES:**

- 1 - #12106, Distributor cap
- 1 - #12000-K, Distributor tune kit
- 8 - #BF-82, Autolite spark plugs

- 12001-AK 55/56 . . . . .kit 66.95
- 12001-BK 57 . . . . .kit 64.95



'TYPICAL' IGNITION SYSTEM



12106-A



12106-B

**12106 DISTRIBUTOR CAP**  
12106-A 55/56 .....ea. 18.95  
12106-B 57 .....ea. 17.95  
*Note: Also included in #12001-K.*



**12110-K** 55/57, Kit, protective conduit for spark plug wires . . .8 pcs. 4.50  
*Note: Also included in #12259 & #12259-L & #12260 Kits.*



**12111/2 BRACKET - IGNITION CABLE**  
12111 55/57, Bracket, ignition cable mounting. 1 Req'd . . . .ea. 4.25



12112-A 55/57, Used w/ 4 holes in "Square" grommet. 2 Req'd 2.65



12112-B 55/57, Used w/ 4 holes in "Line" grommet. 1 Req'd ea. 2.65  
*Note: Also included in #12113-K & #12260 Kits.*



12029-A



12029-B



12029-Y

**12029 IGNITION COIL**  
12029-A 55, 6 Volt, Replacement type 24.95  
12029-B 56/57, 12 Volt, black body, with black top, repl. type . .ea. 23.95  
12029-Y 57, Mustard top . . . . .ea. 39.95



12043-A

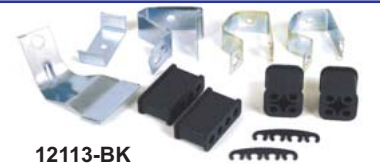


12043-B

**12043 COIL BRACKET**  
12043-A 55 .....ea. 14.95  
12043-B 56/57 .....ea. 34.95  
*APK-232 - Coil bracket to intake manifold . . . . .4 pcs. 1.25*



12113-AK



12113-BK

**IGNITION CABLE GROMMETS & BRACKETS KIT**  
12113-AK 55; Includes: 1 ea. - #12111, #12112-B, #12361; 2 ea. - #12112-A, #12297-A, #18472-T; 4 ea. - #12297-B . . . . .kit 29.95  
12113-BK 56/57; Includes: 1 ea. - #12111, #12112-B, #12361; 2 ea. - #12112-A, #12297-A, #12297-B, #12297-C . . . . .kit 24.95  
*Note: Above kits also included in #12260 kits.*  
*APK-233 - Kit to attach spark plug wire brackets to engine . 1.95*



12120-B

**12120 BUSHING - DISTRIBUTOR SHAFT**  
12120-B 57 .....ea. 14.95



12127-REB5

**12127 REBUILT DISTRIBUTOR - EXCHANGE**

- 12127-REB5+ 55, Excl. vacuum advance . . . 249.95
  - 12127-REB6+ 56, Excl. vacuum advance . . . 249.95
  - 12127-REB7+ 57, Excl. vacuum advance . . . 249.95
- +Must have your core to rebuild.



12259

**SPARK PLUG WIRE SETS**

We offer 2 choices in our quality reproduction spark plug wires. They are the correct length & they come with basic instructions

Only 'non-logo' wires come with brown coil wire & heat shields.

- 'Logo' wires have black coil wire & no heat shields.
- 12259 55/57, Plain boot . . . . .kit 69.95
  - 12259-L 55/57, With "FoMoCo" logo on boot . . . . .kit 124.95



12370-A

12370-B

12370-C

**12370 VACUUM ADVANCE - DISTRIBUTOR**

- 12370-A 55, NOS Ford . . . . .ea. Inq.
- 12370-A-REB 55, Rebuilt. *Need Your Core* . . . . .ea. 137.50
- 12370-B 56, Double type, NOS original . . . . .ea. Inq.
- 12370-C 57 . . . . .ea. Inq.

Now AVAILABLE!

BRAND NEW DISTRIBUTOR Not Rebuilt



12127-K

**'55/'57 'NEW' TACH DRIVE DISTRIBUTOR**

- Has its' own electronic ignition
- Comes with different springs to adjust the advance
- Can adjust or eliminate the vacuum advance
- Requires a higher voltage coil - included in the kit
- FOR 12 VOLT SYSTEMS ONLY

- 12127-K 55/57, Use on 12V systems only! . . . . .ea. 399.50



12264-A

12264-B

**12264 IGNITION WIRE - POINT TO GROUND**

- 12264-A 55/56, Wire, ignition point ground . . . . .ea. 3.95
- 12264-B 57, Wire, ignition point ground . . . . .ea. 4.95



12297-A

12297-B

12297-C

**12297 GROMMET - IGNITION WIRES**

- 12297-A 55/57, Four holes in 'square' . . . 2.25
  - 12297-B 55/57, Four holes in 'line' . . . . 2.25
  - 12297-C 56/57, Plastic wire separator . . . . .65
- Note: Also incl. in #12113 & #12260 kits.  
Note: See #18472-T for aluminum tie.



12371-A

**VACUUM LINE TO CARBURETOR**

- 12371-A 55, Steel, As Original . . . . .ea. 13.95
- 12371-ASS 55, Stainless Steel . . . . .ea. 19.95
- 12371-B 56, Steel, As Orig. . . . .2 pcs. 29.95
- 12371-BSS 56, Stainless Steel . . . . .2 pcs. 34.95
- 12371-C 57, Steel, As Original . . . . .ea. 13.95
- 12371-CSS 57, Stainless Steel . . . . .ea. 29.95



12390

12405

12476

- 12390 55/57, Gear, distributor driven . . . . .ea. Inq.
- 12405 55/57, Spark plug, BF-82 . . . . .ea. 3.95
- Note: Also included in #12001 kit.
- 12476 55/57, Seal, distributor shaft . . . . .ea. 13.95



12171-A

12171-B

12200-A

12213

**12171 IGNITION POINT SET**

- 12171-A 55/56 . . . . .set 8.95
  - 12171-B 57 . . . . .set 8.50
- Note: Also included in #12000-K & 12001-K.

**12200 ROTOR - IGNITION**

- 12200-A 55/56 . . . . .ea. 6.95
  - 12200-B 57 . . . . .ea. 5.95
- Note: Also included in #12000-K & 12001-K.

**12213 CLIP - ROTOR RETAINER**

- 12213 55/56 . . . . .ea. 4.95



12298

12299

- 12298 55/57, Brown coil wire, As Original, with boots . . . . .ea. 20.95
- C.T.C.I. AWARD! Note: Qualifies for C.T.C.I. "Excellence in Authenticity"

- 12299 55/57, Heat shield, spark plug wire, 4 Req'd . . . . .ea. 4.50



12300-A

12361

**12300 CONDENSER - IGNITION**

- 12300-A 55/56 . . . . .ea. 6.95
  - 12300-B 57 . . . . .ea. 6.95
- Note: Also included in #12000-K & #12001-K.

- 12361 55/57, Clamp, ignition cable bracket . . . . .ea. 3.25



12250-R

**12250 RESISTOR - IGNITION COIL**

- 12250-R 56/57, Exact Concours Quality Reproduction! . . . . .ea. 28.95
- C.T.C.I. AWARD! Note: Our Concours Quality Reproduction qualifies for C.T.C.I. "Excellence in Authenticity" award!



12260 K2

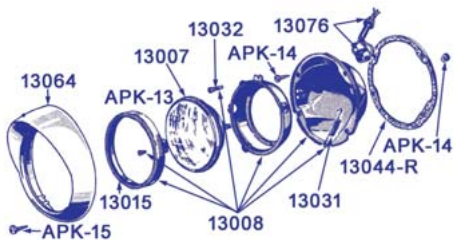
**SPARK PLUG WIRES, BRACKET KIT & ATTACHING PARTS MASTER KIT**

INCLUDES:

- #12259 or L, Wire set
- #12113-AK or BK, Bracket & grommet kit
- #APK-233, Attaching parts kit

- 12260-K1 55, Without 'FoMoCo' logo . . . . .kit 99.95
- 12260-K2 56/57, Without 'FoMoCo' logo . . . . .kit 92.50
- 12260-L\* 55, With 'FoMoCo' logo . . . . .kit 159.95
- 12260-L1\* 56/57, With 'FoMoCo' logo . . . . .kit 154.95

C.T.C.I. AWARD! Note: Qualifies for C.T.C.I. "Excellence in Authenticity"



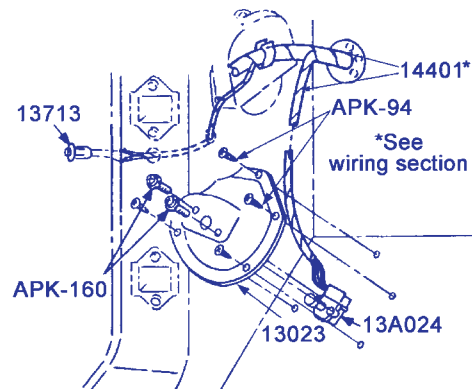
'TYPICAL' HEADLAMP ASSEMBLY



- 13007 SEAL BEAM**  
**13007-A** 55, 6V, "Halogen", 2 Req'd .....ea. 19.95  
**13007-H** 56/57, 12V, "Halogen", 2 Req'd .....ea. 19.95  
**13007-ER** 56/57, 12V, With Script 'FoMoCo', 2 Req'd .....ea. 34.95  
**13008** 55/57, Headlamp bucket assy Inq.



- 13009-AR** 55/57, Clip, headlamp door retainer, lower, 2 Req'd ..... 7.85  
**13009-T** 55/57, Clip, headlamp door retainer, upper, 2 Req'd ..... 11.95  
**13015** 55/57, Ring, headlamp seal beam retaining, 2 Req'd ..... 14.50  
*APK-13 - Used to attach the #13015's, each kit does both sides .....6 pcs. 1.50*



- 13023** 55/57, Plate, dimmer switch ..... 50.00  
*APK-94 - Dimmer switch plate to floor .....4 pcs. .70*



- 13A024 DIMMER SWITCH - HEADLAMP**  
**13A024-A** 55/56 .....ea. 24.95  
**13A024-B** 57 .....ea. 24.95  
*APK-160 - Dimmer switch to plate .....4 pcs. 1.06*  
**13713** 55/57, Switch, map lamp (on door posts). 2 Req'd .... 7.35



- 13031-R** 55/57, Spring, headlamp bckt ..... 3.55  
**13032-BK** 55/57, Headlamp adjusting nut & bracket .....ea. 7.95  
**13032-S** 55/57, Screw, headlamp bckt ..... .50



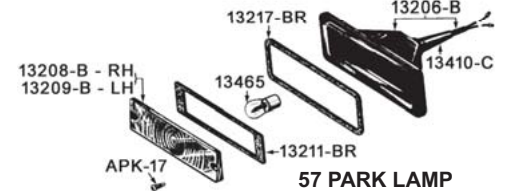
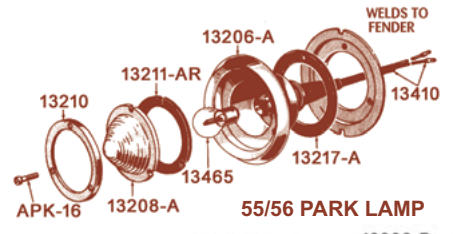
- 13044-R** 55/57, Gasket, headlamp bucket to fender. 2 Req'd .ea. 3.25  
*APK-14 - Screws & clips, headlamp buckets to fenders .....30 pcs. 5.95*



- 13064** 55/57, Headlamp door .....ea. Inq.  
*APK-15 - "Special Fillister Head Screw" used to attach #13064 .....2 pcs. 5.95*  
**B5A-13063-A\*** 55, Fairlane Headlight door chrome trim .....ea. 77.50  
*\*Note: This Fairlane chrome outer trim cannot be used with your stock T-Bird headlamp door. You must have the Fairlane inner door also #B5A-13061.*  
**B5A-13061** 55, Fairlane headlamp door; Available - New or Used .ea. Inq.



- 13076 HEADLAMP WIRING**  
**13076-A** 55, Headlamp wiring, 2 Req'd .....ea. 21.95  
**13076-AM** 56, Headlamp wiring, 2 Req'd .....ea. 21.95  
**13076-C** 57, RH, Headlamp socket & wiring .....ea. 27.50  
**13077-C** 57, LH, Headlamp socket & wiring .....ea. 24.95  
*Note: Also listed in wiring section.*



- PARKLAMP ASSEMBLY WITH CORRECT WIRES**  
**13200-AK55** 55, RH or LH, 6V .....ea. 74.95  
**13200-AK56** 56, RH or LH, 12V .....ea. 74.95  
*Note: '55 with 12 volt conversion use this one.*  
**13200-BK** 57, RH .....ea. 79.95  
**13200-CK** 57, LH .....ea. 79.95



**13206** **PARKLAMP BODY - WITH CORRECT WIRES**

13206-A-55 55, RH/LH .....ea. 43.95  
 13206-A-56 56, RH/LH .....ea. 43.95  
 13206-B 57, RH/LH .....ea. 62.50

**APK-135** - Parklamp bodies to front bumper, 57  
 .....18 pcs. - both sides 1.80



**13410** **WIRE & SOCKET - PARKLAMP & TAIL LAMP**

13410-AR 55, RH/LH, Parklamp .....ea. 19.95  
 13410-BR 56, RH/LH, Parklamp .....ea. 21.95  
 13410-ER 57, RH/LH, Parklamp .....ea. 23.95  
 13410-DR 57, Tail lamp socket, 2 Req'd .....ea. 21.50



**13434** **CHROME BODY - TAIL LAMP**  
 (INCLUDES CORRECT WIRE PIGTAIL)

13434-AR 55, 2 Req'd .....ea. 43.95  
 13434-BR 56, 2 Req'd .....ea. 41.95

**APK-136** - Tail lamp housing (#13434) to rear quarters, 55/56 .....6 pcs. - 2 sides 1.30  
**APK-137** - Quarter panel extensions to body, 57 .....8 pcs. - 2 sides 2.90



**13412** 57, License lamp socket & wire .....ea. 15.95  
**Note:** Also included in #13550-CK.



**13208/9** **LENS - PARKLAMP**

13208-A 55/56, RH or LH, 2 Req'd ... 8.95  
 13208-B 57, RH only, 1 Req'd .....ea. 11.95  
 13209-A 57, LH only, 1 Req'd .....ea. 11.95

**APK-16** - Lens screw kit, 55/56 .....6 pcs. - 2 sides 4.50  
**APK-17** - Lens screw kit, 57 .....4 pcs. - 2 sides 3.75

**INDIVIDUAL SCREWS - PARKLAMP LENS**

354746-S 55/56 .....ea. .75  
 354899-S 57 .....ea. .99

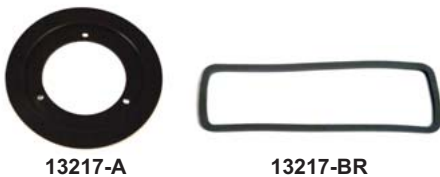


**13210** 55/56, Retaining ring, parklamp lens, 2 Req'd ..... 10.61



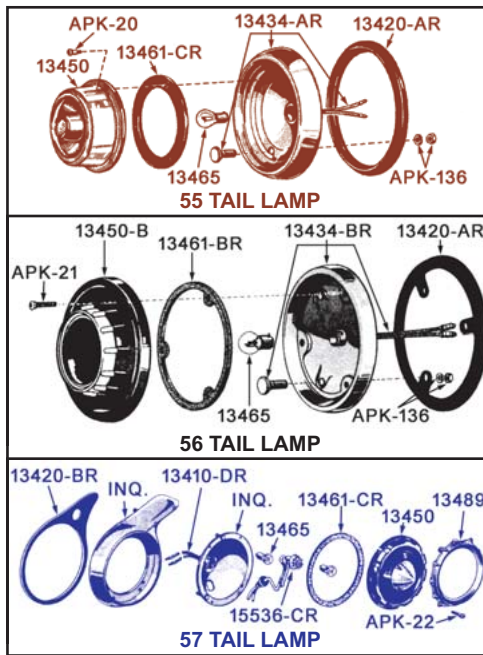
**13211** **GASKET - PARKLAMP LENS**

13211-AR 55/56, 2 Req'd .....ea. 1.25  
 13211-BR 57, 2 Req'd .....ea. 1.70



**13217** **PAD - PARKLAMP BODY**

13217-A 55/56, To fender, 2 Req'd ... 4.25  
 13217-BR 57, To bumper, 2 Req'd ..... 2.00



**13420** **RUBBER PAD - TAIL LAMP MOUNTING**

13420-AR 55/56, 2 Req'd .....ea. 4.95  
 13420-BR 57, 2 Req'd .....ea. 2.95



**13423-R** 55/56, Retainer, rear license lamp lens .....ea. 16.82



**13450** **LENS - TAIL LAMP 1955**

13450-AR A Quality Reproduction, No FoMoCo Script .....ea. 16.95  
 13450-ARS Our Best & Most Authentic Reproduction, Has FoMoCo Script .....ea. 19.95

**13450** **LENS - TAIL LAMP 1956**

13450-BR A Quality Reproduction, No FoMoCo Script .....ea. 24.95  
 13450-BRS Our Best & Most Authentic Reproduction, Has FoMoCo Script .....ea. 33.95

**13450-C** 1957 Reproduction, without back-up lamps, 2 Req'd .... 23.95  
**13450-F** A Quality Reproduction, with back-up lamps, No FoMoCo Script .....ea. 39.60  
**13450-FS** A Quality Reproduction, with back-up lamps, Has FoMoCo Script .....ea. 54.95

**APK-20** - 55, Tail lamp lens to housing .....6 pcs. 4.50  
**APK-21** - 56, Tail lamp lens to housing .....6 pcs. 5.95  
**APK-22** - 57, screw kit for #13450-C, E & F .....8 pcs. 7.50



**INDIVIDUAL SCREWS - TAIL LAMP LENS**

353624-S 55 .....ea. .99  
 354798-S 56 .....ea. 1.30  
 354899-S 57 .....ea. .99

**LET US BE YOUR 'CLASSIC' FORD PARTS SUPPLIER**  
**SERVICING ALL YOUR PARTS NEEDS FOR:**

✓'55-'57 THUNDERBIRD ✓'48-'72 FORD TRUCK  
 ✓'58-'66 THUNDERBIRD ✓'60-'72 GALAXIE  
 ✓'49-'59 'BIG FORD' CAR ✓'62-'72 FAIRLANE  
 ✓'49-'56 MERCURY CAR ✓'68-'71 TORINO



13449-AK



13449-57-AK



13449-BKS



13449-57-BK

**MAJOR TAIL LAMP KIT**

**1955 Kit INCLUDES:**

- ✓ 1 ea. - 13434-AR    ✓ 1 ea. - 13450-AR/ARS
  - ✓ 1 ea. - 13420-AR    ✓ 1 ea. - 13461-AR
  - ✓ 3 ea. - 353624-S    ✓ 1 ea. - 13466-1154
- Note: #13466-1157 can be substituted for #13466-1154 for 12V cars.*

- 13449-AK Without FoMoCo script lens, 2 Req'd .....kit 67.50
- 13449-AKS With FoMoCo script lens, 2 Req'd .....kit 72.50

**1956 Kit INCLUDES:**

- ✓ 1 ea. - 13434-BR    ✓ 1 ea. - 13450-BRS
  - ✓ 1 ea. - 13420-AR    ✓ 1 ea. - 13461-BR
  - ✓ 3 ea. - 354798-S    ✓ 1 ea. - 13466-1157
- 13449-BKS With FoMoCo script lens, 2 Req'd .....kit 77.50

**1957 WITHOUT BACK-UP LIGHTS KIT INCLUDES:**

- ✓ 1 ea. - 13450-C    ✓ 1 ea. - 13489-A
  - ✓ 1 ea. - 13461-CR    ✓ 4 ea. - 354899-S
  - ✓ 1 ea. - 13466-1157
- 13449-57-AK Without FoMoCo script lens, 2 Req'd .....kit 56.50

**1957 WITH BACK-UP LIGHTS KIT INCLUDES:**

- ✓ 1 ea. - 13450-F/FS    ✓ 1 ea. - 13489-B
  - ✓ 1 ea. - 13461-CR    ✓ 4 ea. - 354899-S
  - ✓ 1 ea. - 13466-1157
- 13449-57-BK Without FoMoCo script lens, 2 Req'd .....kit 67.50
- 13449-57-BKS With FoMoCo script lens, 2 Req'd .....kit 84.95



13461-AR    13461-BR    13461-CR

- 13461 GASKET - TAIL LAMP LENS**
- 13461-AR 55, 2 Req'd .....ea. 2.60
  - 13461-BR 56, 2 Req'd .....ea. 2.60
  - 13461-CR 57, 4 Req'd. (2 for lens #13450 & 2 behind #13434 reflector) .....ea. 2.60



13465-AK

- 13465-K KIT - MINIATURE BULB**
- INCLUDES ALL THE SMALL BULBS FOR YOUR CAR.*
- 13465-AK 55 .....24 bulbs 25.95
  - 13465-BK 56 .....24 bulbs 23.95
  - 13465-CK 57 .....27 bulbs 25.95



13489-A    13489-B

- 13489 BEZEL - TAIL LAMP LENS**
- 13489-A 57, Without back-up lamps, 2 Req'd .....ea. 25.50
  - 13489-B 57, With back-up lamps, 2 Req'd .....ea. 24.95



13450-B-LED

**LED TAIL LIGHT LENSES**

*Brand new tail light assemblies with state of the art LED lights inside for years of trouble free service! **A MUST** for anyone who is re-storing a daily driver! **BRIGHTER & MUCH MORE VISIBLE THAT THE OLD STYLE SINGLE BULB TAIL LIGHTS.***

- 13450-A-LED12 55, 12 volt .....pair 179.95
- 13450-B-LED 56, 12 volt .....pair 179.95
- 13450-C-LED 57, 12 volt .....pair 179.95



13480-MK    13480

- 13480-MK 55/57, Switch, stop lamp, mechanical style, for use with silicone brake fluid ..... 34.95
- 13480 55/57, Switch, stop lamp ..... 11.95

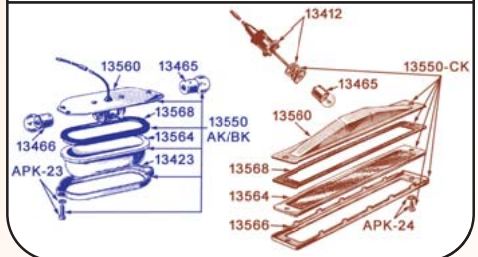
**BULBS - ORDER BY INDUSTRY NUMBER**

LOCATION	YR	TYPE	VOLTAGE		
Backup	55	1129	6V	.....ea.	1.25
	56	1073	12V	.....ea.	1.00
	57	93	12V	.....ea.	1.00
Courtesy	55	81	6V	.....ea.	1.00
	56/7	67	12V	.....ea.	1.25
Hi-Beam	55	55	6V	.....ea.	.95
	56/7	57	12V	.....ea.	.95
Inst. Panel	55	55	6V	.....ea.	.95
	56/7	57	12V	.....ea.	.95
License	55	63	6V	.....ea.	.95
	56/7	67	12V	.....ea.	1.25
Oil/Gen.	55	51	6V	.....ea.	.75
	56/7	57	12V	.....ea.	.95
Parklamp	55	1154	6V	.....ea.	1.20
	56/7	1157	12V	.....ea.	1.20
Tail Lamp	55	1154	6V	.....ea.	1.20
	56/7	1157	12V	.....ea.	1.20
Trans.	55	51	6V	.....ea.	.75
	56/7	1445	12V	.....ea.	1.00
Turn Signal Indicator	55	51	6V	.....ea.	.75
	56/7	57	12V	.....ea.	.95
Radio	55	44	6V	.....ea.	.75
	56	57X	12V	.....ea.	.95
	57	1891	12V	.....ea.	.95

*Note: Also supplied in #13465-K.*



13550-AK/BK    13550-CK



- LICENSE LAMP ASSEMBLY**
- 13550-AK 55, 6 Volt .....ea. 67.50
  - 13550-BK 56, 12 Volt .....ea. 67.50
  - 13550-CK 57, 12 Volt .....ea. 74.50
- APK-23 - Attaches 55/56 license lamp .....4 pcs. .90*
- APK-24 - Attaches 57 license lamp .....4 pcs. 1.05*

**INDIVIDUAL LICENSE LAMP PARTS**

- 13412 57, Lamp wire & socket .....ea. 15.95
- 13423-R 55/56, Lens retainer .....ea. 16.02
- 13465 **Bulbs - SEE BULB CHART**
- 13560-AR 55/56, Lamp body & wire .....ea. 37.08
- 13560-BR 57, Lamp body only .....ea. 25.16
- 13564-A 55/56, Lamp lens .....ea. 17.04
- 13564-B 57, Lamp lens .....ea. 15.09
- 13566-R 57, Chrome lens retainer .....ea. 18.86
- 13568-AR 55/56, Gasket, lic. lens .....ea. 1.55
- 13568-BR 57, Gasket, lic. lens .....ea. 1.58



**13596-R** 55, Rear license plate brackets ..... set of 3 11.75



**13713** 55/57, Switch, map lamp (on door posts) 2 Req'd ..... 7.35



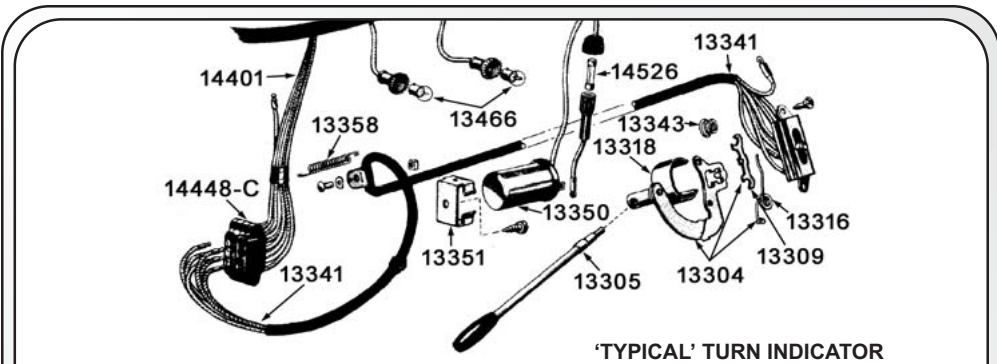
**13754-R** 55/57, Switch & wires, dash map lamp ..... ea. 11.35  
**13754-B** 55/57, Map lamp socket & wire ..... 11.95  
**13761-R** 55/57, Lens, dash map lamp . 6.00  
**13765-R** 55/57, Chrome housing, dash map lamp ..... ea. 20.35



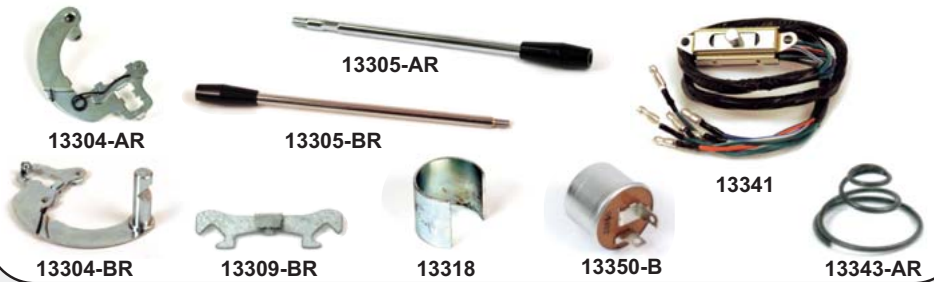
**13832/3** **HORN - REPLACEMENT TYPE**  
**13832** 56/57, LH, 12V "Hi Pitch", with bracket ..... ea. 19.95  
**13833** 56/57, RH, 12V "Lo Pitch", with bracket ..... ea. 19.95  
*Note: Inquire on '55 6V horns. APK-197 - Horn brackets ..... 8 pcs. 1.95*



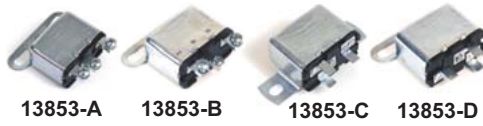
**13832/3** **HORN - EXCELLENT REPRODUCTION**  
**13832-A** 55, 6V "Hi Pitch", eyelet type wire ..... ea. 34.95  
**13832-B** 56, 12V "Hi Pitch", eyelet type wire ..... ea. Inq.  
**13832-C** 57, 12V "Hi Pitch", eyelet type wire ..... ea. 34.95  
**13832-D** Late 57, 12V "Hi Pitch", spade type wire ..... ea. 34.95  
**13833-A** 55, 6V "Lo Pitch", eyelet type wire ..... ea. 34.95  
**13833-B** 56, 12V "Lo Pitch", eyelet type wire ..... ea. 34.95  
**13833-C** 57, 12V "Lo Pitch", eyelet type wire ..... ea. 34.95  
**13833-D** Late 57, 12V "Lo Pitch", spade type wire ..... ea. 34.95



'TYPICAL' TURN INDICATOR



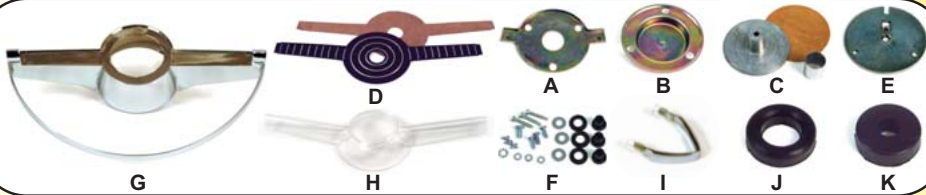
**13304** **CANCELLING PLATE ASSY.**  
**13304-AR** 55 ..... ea. 48.32  
**13304-BR** 56/57 ..... ea. 51.71  
*Note: Above #13304-AR & BR include #13309 & #13316.*  
**13305** **LEVER - TURN SIGNAL**  
**13305-AR** 55 ..... ea. 16.82  
**13305-BR** 56/57 ..... ea. 15.95  
**13309-BR** 55/57, Pawl, turn signal switch plate ..... ea. 7.25  
**13316-R** 55/57, Spring, turn signal switch plate ..... ea. 3.75  
**13318** 55/57, Cam, turn signal cancelling ..... ea. 11.09  
*Note: Attaches to bottom of steering wheel.*  
**13341** 55/57, Switch & wiring assembly, turn signal ..... ea. 101.21  
**13343** **SPRING - TURN SIGNAL SWITCH HOLD DOWN**  
**13343-AR** 55/57, Use with orig. #13341 . 3.25  
**13350** **FLASHER - TURN SIGNAL**  
**13350-A** 55, 6 Volt ..... ea. 7.95  
**13350-B** 56/57, 12 Volt ..... ea. 5.95



**13853** **RELAY - HORN**  
**13853-A** 55, 6 Volt ..... ea. 21.95  
**13853-B** 56, 12 Volt ..... ea. 16.95  
**13853-C** 57, 12 Volt, Ford "replacement" ..... ea. 21.95  
**13853-D** 57, 12 Volt, mounts in like original - aftermarket .ea. 25.95



**ORDER ONLINE**  
**24 HRS A DAY/7 DAYS A WEEK**  
**CONCOURSEPARTS.COM**



**HORN RING ATTACHING KIT - 1955**

All of the necessary parts to complete your horn ring; DOES NOT INCLUDE #13A805 CHROME BODY.

**KIT CONSISTS OF 1 EACH OF THE FOLLOWING:**

#13A800-AR, #13A801-AR, #13A802-AR, #13A803-AR, #13A804-AR, #13A804-AK, #13A805-AR, #3625-AR or BR, #13A806-CR, #13A806-DR & #13A809-AR

13A799-R Specify Manual or Power Steering .....kit 198.50

**INDIVIDUAL HORN RING PARTS - 1955**

- (A) 13A800-AR 55, Attaching plate, horn ring .....ea. 20.50
- (B) 13A801-AR 55, Contact plate, horn ring .....ea. 20.50
- (C) 13A802-AR 55, Spacer plate, chrome sleeve & gasket, horn ring 20.50
- (D) 13A803-AR 55, Ribbed trim plate with gasket, horn ring .....ea. 29.95
- (E) 13A804-AR 55, Medallion retaining plate, lower, horn ring .ea. 15.95
- (F) 13A804-AK 55, Screw & grommet kit, horn ring .....ea. 10.35
- (G) 13A805 55, Horn ring, **chrome body only** .....ea. 364.95
- (H) 13A805-AR 55, Clear plastic, horn ring 20.95
- (I) 13A805-B 55, Retainer, Horn ring lens 25.00

- (J) 13A806-CR 55, Rubber insulator, horn ring .....ea. 7.95
- (K) 13A806-DR 55, Rubber grommet for medallion, horn ring ... 2.95

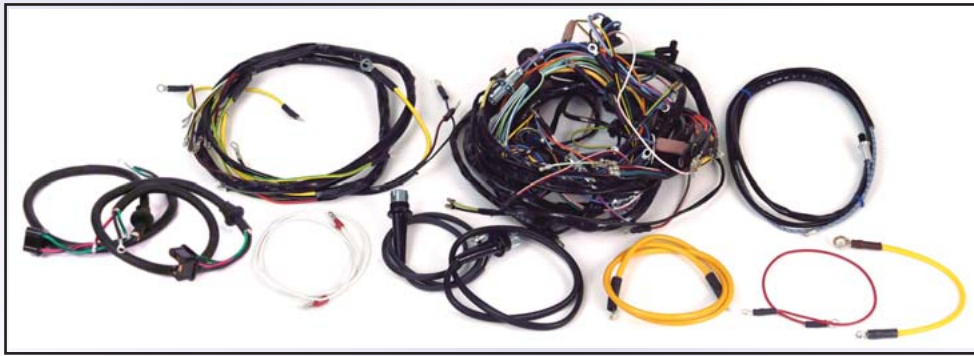


- 3625-AR 55, Medallion retainer, horn ring, upper, M/S .ea. 21.95
- 3625-BR 55, Medallion retainer, horn ring, upper, P/S .ea. 21.95
- 3636-R55 55, Medallion, horn ring center, plastic .....ea. 27.17



**INDIVIDUAL HORN RING PARTS - '56/'57**

- (K) 13A800-BR 56/57, Attaching plate, horn ring .....ea. 16.95
- (L) 13A801-BR 56/57, Contact plate, horn ring .....ea. 16.95
- (M) 13A804-BK 56/57, Screw & grommet kit, horn ring .....ea. 10.50
- (N) 13A806-ER 56/57, Rubber insulator, horn ring .....ea. 6.95
- (O) 13A807-R 56/57, Spring, horn ring ... 2.95
- (P) 13A810-B 56, Medallion background plate, horn ring .....ea. 16.95
- 13A810-C 57, Medallion background plate, horn ring .....ea. 16.95
- 3636-R56 56, Medallion, horn ring center, plastic .....ea. 32.09
- (S) 3636-R57 57, Medallion, horn ring center, plastic .....ea. 28.38
- (T) 3672-R 56/57, Insulator, horn ring .....ea. 1.00



We have selected the Wires & Looms that are ordered the most by our customers.

Most of these wiring looms feed into the engine compartment & are visible.

**NEW WIRING IS A MUST** for a completely restored engine compartment!

THE WIRES & MOLDED ENDS, IF APPLICABLE, ARE CORRECT IN COLOR & SIZE.

**WE HAVE PRICED OUR KITS TWO WAYS:**

With a complete #14401 Cowl Loom assembly or with just the engine compartment portion, #14401-DX/EX/FX, of the Cowl Wire Loom.

**1955 WIRING KIT**

- 14000-K55 With #14401-55 .kit 564.95
- 14000-K55-DX With #14401-DX .kit 289.95

**1956 WIRING KIT**

- 14000-K56 With #14401-A .kit 594.95
- 14000-K56-EX With #14401-EX .kit 339.95

**1957 WIRING KIT**

- 14000-K57 With #14401-B .kit 599.95
- 14000-K57-FX With #14401-FX .kit 359.95

**Includes the Following:**

- ✓2#13076-A Headlamp wires & socket
- ✓2#13410-AR LH & RH, Parklamp wiring & socket
- ✓1#14302-R Wire - coil to distributor
- ✓1#14308-A Horn wire, in steering column
- ✓1#14309-AB/AP/S Heater motor to switch
- ✓1#14322-R Wire oil pressure sender
- ✓1#14401-55 Main under dash loom
- OR #14401-DX Engine compt. **repair** loom
- ✓1#14445-AR Cross over loom, Between headlamps, horns & voltage regulator
- ✓1#14628 Power seat circuit breaker on firewall to solenoid & to under dash  
2 pc. set
- ✓1#18527-AW Heater motor wire (cloth)
- OR #18527-BW Heater motor wire (pvc)

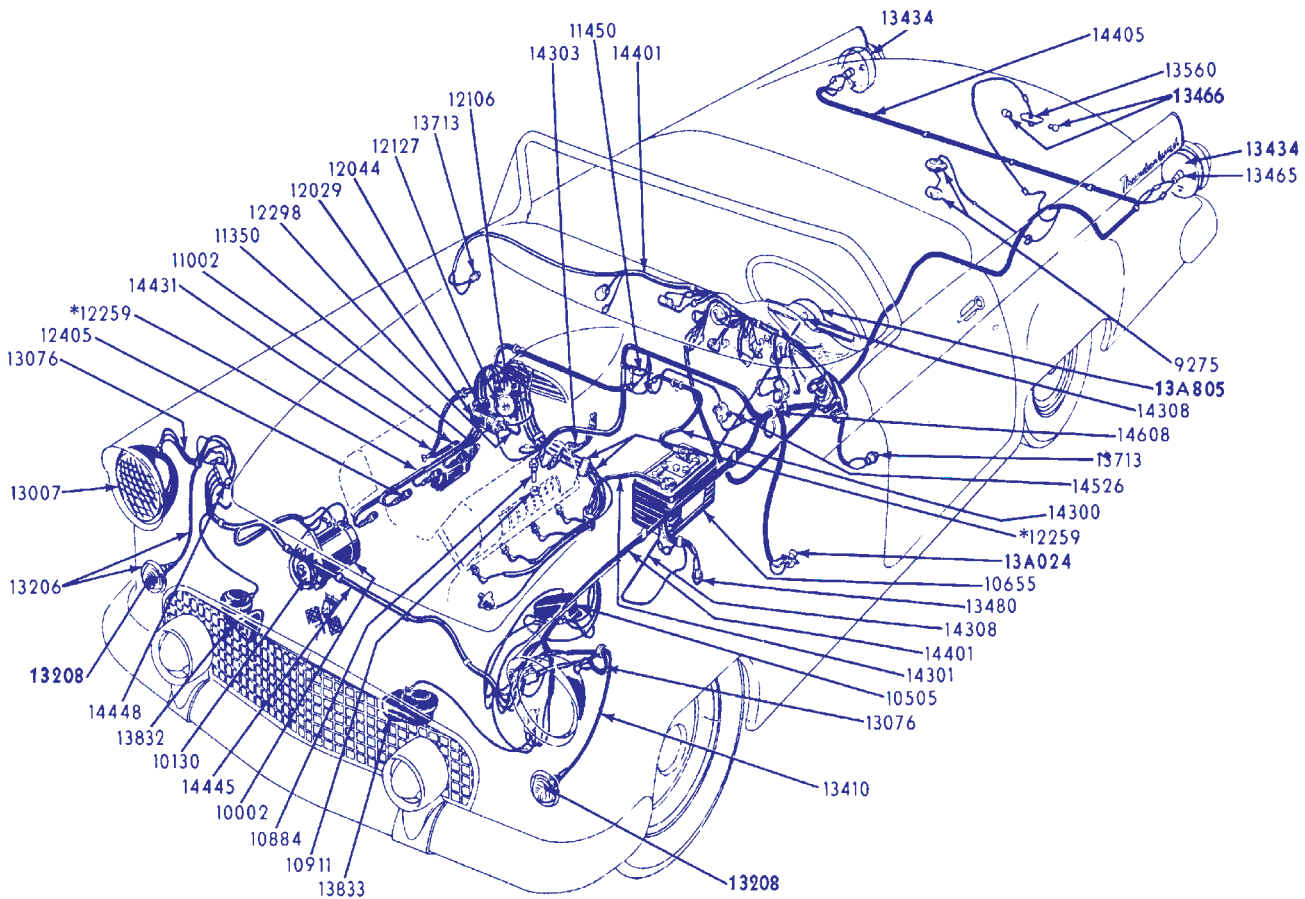
**Includes the Following:**

- ✓2#13076-AM Headlamp wires & socket
- ✓2#13410-BR LH & RH, Parklamp wiring & socket
- ✓1#14302-R Wire - coil to distributor
- ✓1#14308-R Horn wire, in steering column
- ✓1#14309-AP/AM Heater motor to switch
- ✓1#14322-R Wire oil pressure sender
- ✓1#14401-A Main under dash loom
- OR #14401-EX Engine compt. **repair** loom
- ✓1#14445-56 Cross over loom - Between headlamps, horns, & voltage regulator
- ✓1#14495-R Wire, coil to resistor
- ✓1#18527-CW Heater wire

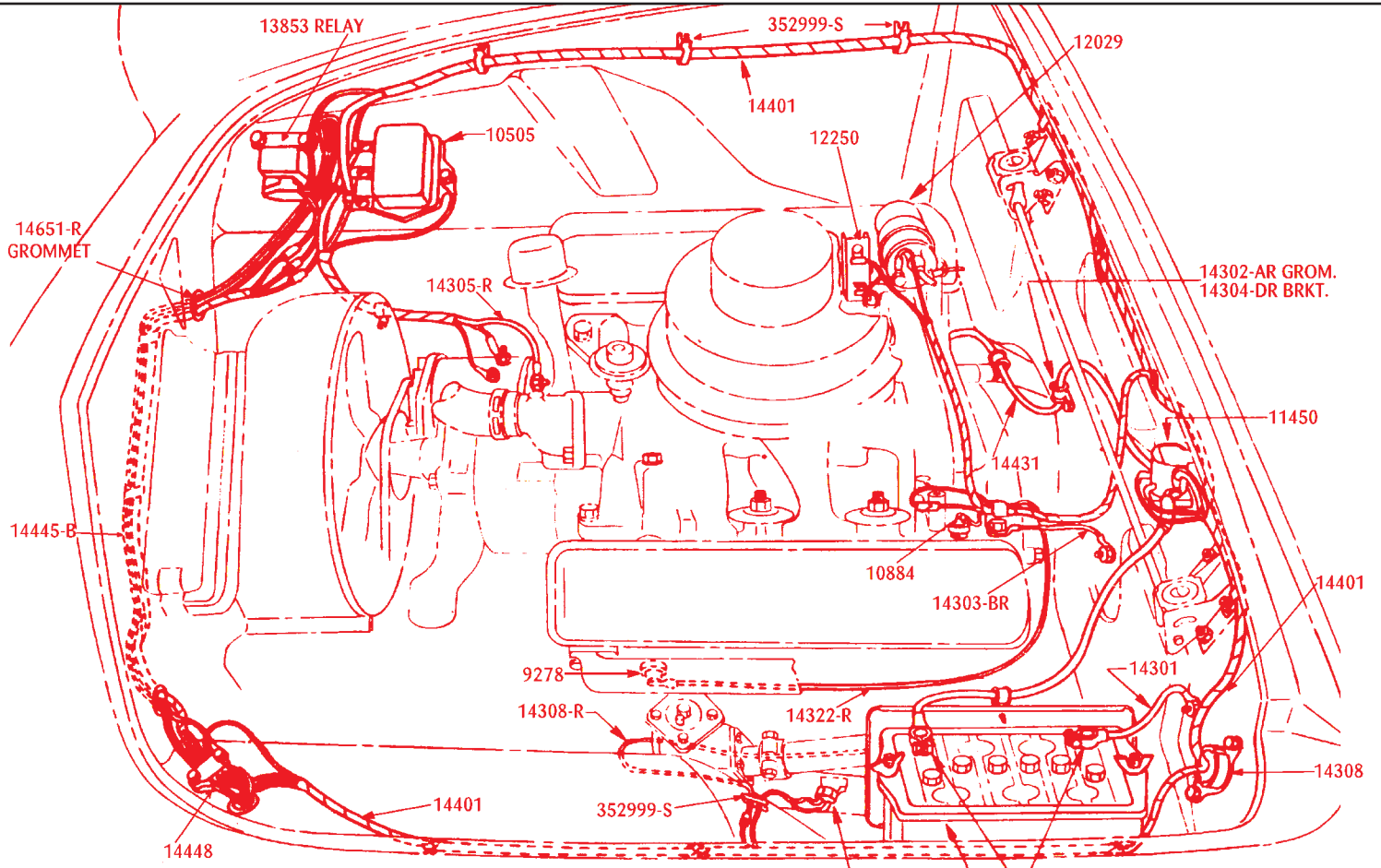
**Includes the Following:**

- ✓1#13076-C RH, headlamp wire to junction block
- ✓1#13077-C LH, headlamp wire to junction block
- ✓2#13410-ER Parklamp wires & socket
- ✓1#14302-R Wire - coil to distributor
- ✓1#14305-R Voltage regulator to generator loom
- ✓1#14308-R Horn wire, in steering column
- ✓1#14309-AM Heater motor to switch
- ✓1#14322-R Wire oil pressure sender
- ✓1#14401-B Main under dash loom
- OR #14401-FX Engine compt. **repair** loom
- ✓1#14445-B/C Cross over loom - Between headlamps, & horns - **Specify if yours is #14445-B - "eyelet" type or #14445-C - "spade" type**
- ✓1#14495-R Wire, coil to resistor
- ✓1#18527-CW Heater wire





'TYPICAL' 55/56 WIRING SYSTEM



57 ENGINE COMPARTMENT WIRING

Having the correct wiring both in style & quality is very important for the function & cosmetic look of your Classic Thunderbird! Our **Concours Quality Wires & Wire Looms** qualify on all counts! We offer only the **most authentic & best available**. Our wiring is an exact duplicate of the original in every way that sometimes vary from year to year. If you are showing your car in a *C.T.C.I. Concours 'd Elegance* & want the highest score, you can achieve this by using our wiring! We can even supply the correct heater wires so you can qualify for **C.T.C.I. "Excellence in Authenticity" award!**

### 1955 WIRING

Our 1955 Bird wiring has the correct crimped on terminals & is exactly correct in every way. We offer all types of heater wires so you can qualify for C.T.C.I. "Excellence in Authenticity" award!

<b>12250-RES</b>	Brown wire, coil to starter solenoid; <b>Use when converting to 12 Volt</b> . . .ea.	11.95
<b>13076-A</b>	Headlamp wiring, seal beam to junction block . . .ea.	21.95
<b>13341</b>	Switch & wires, turn indicator . . . . .ea.	94.50
<b>13410-AR</b>	Parklamp socket & wires, RH or LH . . . . .ea.	19.95
<b>13560-A</b>	Wire, rear loom to license lamp . . . . .ea.	7.95
<b>13754-B</b>	Map lamp socket & wire . .ea.	11.95
<b>14302-AW</b>	Wire, coil to distributor . .ea.	3.95
<b>14308-A</b>	Horn wire, located inside steering column . . . . .ea.	24.95
<b>14309</b>	Wires (2), Heater motor to switch:	
<b>14309-AB*</b>	<b>Very early 55, With cloth type wires</b> . . . . .ea.	11.95
<b>14309-AP*</b>	<b>Later 55, With PVC wires marked "WAC" &amp; taped together</b> . . . . .ea.	14.95
<b>14309-S*</b>	<b>Late 55, With PVC wires marked "WAC" &amp; wires held together with metal clips</b> . . . . .ea.	14.95
	<i>Note: If your 55 had wire clips holding the 2 wires together, transfer these to the new wires to qualify for C.T.C.I. "Excellence in Authenticity" award.</i>	
	<i>*Note: Qualifies for C.T.C.I. "Excellence in Authenticity" award!</i>	
<b>14322-R</b>	Wire, oil pressure sender switch . . . . .ea.	6.95
<b>14382-A</b>	Overdrive Wire Loom . . .ea.	28.95
<b>14401-55</b>	Cowl wiring loom assembly; The main wiring under dash & feeds into engine compartment . . . . .ea.	389.95
<b>14401-DX</b>	Repair loom for engine compartment . . . . .ea.	99.95
<b>14405-AR</b>	Wire loom, rear tail lamps . . . . .ea.	73.50
<b>14445-AR</b>	Wire loom; goes between the headlamps, horns and voltage regulator . . . . .ea.	44.65
<b>14476-R</b>	Neutral safety switch loom . . . . .ea.	29.95
<b>14628</b>	Wire set, power seat feed, engine compartment to under dash . . . . .2 pc. set	16.95
<b>14630-AR</b>	Power window loom, RH, in door . . . . .ea.	51.97
<b>14631-AR</b>	Wire loom combination, power window & power seat, in door, LH . . . . .ea.	69.95
<b>14643-AK</b>	Wire loom, power seat to under dash, 3 loom set . . . . .	73.50
<b>14643-AR</b>	Wire loom, power seat to under dash, 55 . . . . .ea.	46.95
<b>15425-A</b>	Relay to horizontal motor .ea.	19.50
<b>15428-B</b>	Relay to vertical motor . . .ea.	10.95
<b>14689-AR</b>	Wire loom, power seat switch to under dash, LH door . . . . .ea.	29.95

<b>15026-R</b>	Wire, clock, with fuse holder . . . . .ea.	18.95
<b>15506-R</b>	Wire loom set, back-up lamps to dash . . . . .ea.	18.95
<b>15536-AR</b>	Back-up lamp wire pigtail .ea.	3.95
<b>18527-AW</b>	<b>Early 55, Heater motor pigtail wire set, exact repro. of original, with cloth type wires</b> . . . . .set of 3	8.95
<b>18527-BW</b>	<b>Later 55, Heater motor pigtail wire set, exact repro. of original, with PVC type wires</b> . . . . .set of 3	8.95
<b>18541-R</b>	Wire & socket, heater control lamp . . . . .ea.	10.95
<b>18806-AR</b>	Radio wire with fuse holder . . . . .ea.	18.95

### 1956 WIRING

1956 was the first year of the 12 Volt Electrical System & also the first year that Ford used "molded" type terminal ends. Our 1956 wiring has the correctly colored wires & correctly colored molded terminal ends. We offer both types of heater motor wires so you can qualify for C.T.C.I. "Excellence in Authenticity" award!

<b>7A200-R</b>	Overdrive wire loom . . . . .ea.	34.95
<b>13076-AM</b>	Headlamp wiring, seal beam to junction block . . .ea.	21.95
<b>13341</b>	Switch & wires, turn indicator . . . . .ea.	94.50
<b>13410-BR</b>	Parklamp socket & wires, RH or LH . . . . .ea.	21.95
<b>13560-B</b>	Wire, rear loom to license lamp . . . . .ea.	10.95
<b>13754-B</b>	Map lamp socket & wire . .ea.	11.95
<b>14302-BW</b>	Wire, coil to distributor . .ea.	4.65
<b>14308-R</b>	Horn wire, located inside steering column . . .ea.	24.95
<b>14309</b>	<b>Heater motor to switch wires:</b>	
<b>14309-AP*</b>	<b>Very early 56, With PVC wires marked "WAC" &amp; taped together</b> . .ea.	12.95
<b>14309-AM*</b>	<b>Later 56, PVC wire with molded terminals on the motor end marked "CPC"</b> .ea.	16.95
	<i>*Note: Qualifies for C.T.C.I. "Excellence in Authenticity" award!</i>	
<b>14309-B</b>	Heater switch to ignition switch . . . . .ea.	18.95
<b>14322-R</b>	Wire, oil pressure sender switch . . . . .ea.	6.95
<b>14401-A</b>	Cowl wiring loom assy. The main wiring under dash & feeds into engine compartment . . . . .ea.	399.95
<b>14401-EX</b>	Repair loom for engine compartment . . . . .ea.	134.95
<b>14405-BR</b>	Wire loom, rear tail lamps . . . . .ea.	79.95
<b>14405-BU</b>	Wire loom, rear tail lamps, with back-up lights . . . . .ea.	94.95
<b>14445-56</b>	Wire loom; Goes between the headlamps, and horns, and voltage regulator . . .ea.	57.95
<b>14476-R</b>	Wire loom, neutral safety switch . . . . .ea.	29.95
<b>14495-R</b>	Coil to resistor wire . . . . .ea.	4.95
<b>14630-BR</b>	Wire loom, power window in door, RH . . . . .ea.	51.95

<b>14631-BR</b>	Wire loom, power window only, in door, LH . . . . .ea.	52.95
<b>14631-DR</b>	Wire loom combination, power window & power seat, in door, LH . . . . .ea.	69.95
<b>14643-BR</b>	Wire loom, power seat to under dash . . . . .ea.	59.95
<b>14679-R</b>	Wire loom, window safety relay; Engine compartment to under dash . . . . .ea.	28.95
<b>14689-AR</b>	Wire loom, power seat switch to under dash, LH door . . . . .ea.	29.95
<b>15026-R</b>	Wire, Clock, with fuse holder . . . . .ea.	18.95
<b>15506-R</b>	Wire loom set, back-up lamps to dash . . . . .ea.	18.95
<b>18527-CW</b>	Heater motor pigtail wire set, exact repro. of original, with PVC wires & molded ends . . . . .set of 3	12.50
<b>15536-BR</b>	Wire pigtail & spring, back-up lamp . . . . .ea.	3.95
<b>18541-R</b>	Wire & socket, heater control lamp . . . . .ea.	10.95
<b>18806-AR</b>	Radio wire with fuse holder . . . . .ea.	18.95

### 1957 WIRING

1957 wiring also used molded type terminal ends as well as the new one piece molded ends that incorporate more than one wire in the mold. This is true for the Horn Relay terminal in the engine compartment as well as the dimmer switch inside the car. Our 1957 wires & looms have all of these correct features & are Concours Quality! We also offer the correct heater motor wire so you can qualify for C.T.C.I. "Excellence in Authenticity" award!

<b>7A200-R</b>	Overdrive wire loom . . . . .ea.	34.95
<b>13076-C</b>	Headlamp socket & wiring, RH . . . . .ea.	27.50
<b>13077-C</b>	Headlamp socket & wiring, LH . . . . .ea.	24.95
<b>13410-ER</b>	Parklamp socket & wiring, RH or LH . . . . .ea.	23.95
<b>13410-DR</b>	Tail lamp socket & wires, RH or LH . . . . .ea.	20.50
<b>13341</b>	Switch & wires, turn indicator . . . . .ea.	94.50
<b>13412</b>	License lamp wire & socket assembly . . . . .ea.	15.95
<b>13754-B</b>	Map light socket & wire . .ea.	11.95
<b>14302-BW</b>	Wire, coil to distributor . . .ea.	4.65
<b>14305-R</b>	Wire loom, generator to voltage regulator . . . . .ea.	24.95
<b>14308-R</b>	Horn wire, located inside steering column . . . . .ea.	24.95
<b>14309-AM*</b>	<b>57, Heater motor to switch wires; molded terminals on motor end marked "CPC"</b> .ea.	16.95
	<i>*Note: Qualifies for C.T.C.I. "Excellence in Authenticity" award!</i>	
<b>14309-B</b>	Heater switch to ignition switch . . . . .ea.	18.95
<b>14322-R</b>	Wire, oil pressure sender switch . . . . .ea.	6.95

**1957 WIRING**

(Continued)

<b>14401-B</b>	Cowl wiring loom assembly; The main wiring under dash & feeds into engine compartment . . . . .ea.	409.95
<b>14401-FX</b>	Repair loom for engine compartment . . . . .ea.	149.95
<b>14405-CR</b>	Wire loom, rear tail lamps . . . . .ea.	84.95
<b>14445-B</b>	Headlamp wire loom; Goes between the headlamps, eyelet type . . .ea.	22.95
<b>14445-C</b>	Headlamp wire loom; Goes between the headlamps, spade type . . .ea.	23.50
<b>14476-R</b>	Wire loom, neutral safety switch . . . . .ea.	29.95
<b>14495-R</b>	Coil to resistor wire . . . . .ea.	4.95
<b>14630-CR</b>	Wire loom, lower window in door, RH . . . . .ea.	52.50
<b>14631-CR</b>	Wire loom, power window only, in door, LH . . . . .ea.	52.50
<b>14631-ER</b>	Wire loom combination, power window & power seat, in door, LH . . . . .ea.	69.95
<b>14643-BR</b>	Wire loom, power seat to under dash . . . . .ea.	59.95
<b>14679-R</b>	Wire loom, window safety relay; Engine compartment to under dash . . . . .ea.	28.95
<b>14689-BR</b>	Wire loom, power seat switch to under dash, LH door . . .ea.	32.95
<b>14774-R</b>	Dial-A-Matic Seat "Safety Wire" . . . . .ea.	49.95
<b>15026-R</b>	Wire, Clock, with fuse holder . . . . .ea.	18.95
<b>18527-CW</b>	Heater motor pigtail wire set, exact repro. of orig, with PVC wires & molded ends . . . . .set of 3	12.50
<b>18541-R</b>	Wire & Socket, Heater Control Lamp . . . . .ea.	10.95
<b>18806-AR</b>	Radio Wire with Fuse Holder . . . . .ea.	18.95



14650-AK

14650-CK

**14650 WIRING CLIP KIT - INNER FENDER PANELS & FRONT RADIATOR PANEL - CORRECT FINISH**  
 55/56, 7 pcs . . . . .kit 17.95  
 57, 11 pcs . . . . .kit 25.95  
**14650-AK**  
**14650-CK**  
**352999-S - Individual clips . . . 2.75**

**C.T.C.I. AWARD!** Note: Qualifies for C.T.C.I. "Excellence in Authenticity" award!



14651-R

14651-S

**14651-R** 55/57, Rubber coated metal wiring grommet for inner fender panel, As Req'd . . .ea. 4.95  
**14651-S** 57, Parklight wire grommet, 2 Req'd . . . . .ea. 3.95



180-BULLET

59A-14487

B-14487

**B-14487** 55/57, Wire connector . . . . .ea. 1.10  
**59A-14487** 55/57, Double wire connector . . . . .ea. 2.95  
**180-BULLET** 55/57, Wire end bullet . . . . .ea. .45



14448-AR

14448-BR

14448-CR

**14448 JUNCTION BLOCK - WIRING**  
 IMPRINTED WITH CORRECT ENGINEERING NUMBERS  
**14448-AR** 55/56, RH, Single stack, inner fender panel . . . . .ea. 12.95  
**14448-BR** 55/57, LH, Double stack, inner fender panel . . . . .ea. 15.95  
**14448-CR** 55/57, Double stack, Under dash, turn signal wires . . . . .ea. 15.95  
**APK-214-A - 55/56 wiring junction blocks to inner fenders . . . . .4 pcs. - 2 sides 1.30**  
**APK-214-B - 57 wiring junction block to inner fender . . . . .2 pcs. .65**



14300-K56

14300-DK

**BATTERY CABLE KIT**  
 Concours quality battery cables! Our reproduction 12V battery cables are a must for the serious car restorer. They are exact reproductions of the originals with Ford engineering numbers printed on cables! Includes 2 battery cables & 1 starter cable.  
**14300-K56\*** 56 . . . . .set of 3 69.95  
**14300-DK** 57 . . . . .set of 3 69.95  
 \*Note: '55 with 12 volt conversion.

**14300/01 INDIVIDUAL BATTERY CABLES REPLACEMENT TYPE**



14300-A

14300-B

**14300 CABLE - BATTERY TO STARTER SOLENOID**  
**14300-A** 55, 6 Volt . . . . .ea. 29.95  
**14300-B** 56/57, 12 Volt . . . . .ea. 19.95

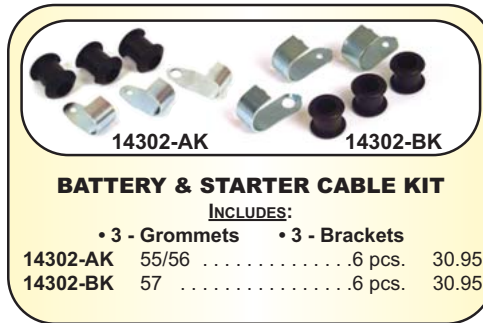


14301-A

14301-B

14301-C

**14301 CABLE - BATTERY TO GROUND**  
**14301-A** 55, 6 Volt . . . . .ea. 34.95  
**14301-B** 56, 12 Volt . . . . .ea. 19.95  
**14301-C** 57, 12 Volt . . . . .ea. 14.95



14302-AK

14302-BK

**BATTERY & STARTER CABLE KIT**

INCLUDES:

• 3 - Grommets • 3 - Brackets  
**14302-AK** 55/56 . . . . .6 pcs. 30.95  
**14302-BK** 57 . . . . .6 pcs. 30.95



14302-AR

14302-BR

**14302-AR** 55/56, Battery & starter cable grom, 3 Req'd . . . . .ea. 4.50  
**14302-BR** 57, Battery & starter cable grom, 3 Req'd . . . . .ea. 4.50  
 Note: Also included in #14302-K.



14304-BR

14304-CR

14304-DR

14304-ER

**14304 BRACKETS - BATTERY & STARTER CABLE GROMMETS**  
**14304-BR** 55/56, Firewall & battery shield, 2 Req'd . . . . .ea. 5.75  
**14304-CR** 55/56, Starter cable on bell housing, 1 Req'd . . . . .ea. 5.75  
**14304-DR** 57, Firewall & battery shield, 2 Req'd . . . . .ea. 5.75  
**14304-ER** 57, Starter cable on bell housing, 1 Req'd . . . . .ea. 5.75  
 Note: Also included in #14302-K.



14303-AR

14431-CR

**14303 GROUND STRAP - FIREWALL TO ENGINE**  
 AN EXACT REPRODUCTION  
**14303-AR** 55/56 . . . . .ea. 10.25  
**14303-BR** 57 . . . . .ea. 14.46  
**APK-204 - Ground strap, engine to firewall & battery cable to engine, 55/57 .4 pcs. 1.10**

**14431 CABLE - STARTER TO STARTER SOLENOID**  
 AN EXACT REPRODUCTION  
**14431-AR** 55 . . . . .ea. 24.95  
**14431-CR** 56/57 . . . . .ea. 24.95



14512-R

- 14512-6V 55, 6V, Power seat & window relay, replacement ... 37.50
- 14512-R 56/57, 12V, Power seat & window relay, repl. ....ea. 37.50



14528



14528-AR

- 14528 HOUSING - POWER WINDOW SWITCH - CHROME
- 14528 55/57, LH, double switch ... 30.95
- 14528-AR 55/57, RH, single switch .... 23.95



14529-A



14529-B

- 14529 SWITCH - POWER WINDOW OR SEAT
  - 14529-A 55/56, Pwr. window with female terminals, 3 Req'd ... 44.95
  - 14529-B 56/57, Power window with "spade" type male, terminals, 3 Req'd .....ea. 44.95
- Note: Be sure to visually check your switches to determine which type to order.*



14553-G

- 14553-G 55/57, Grommet, window motor "mounting" .....pr. 1.25



14554-R



14561-R



14570-R

- 14554-R 55/57, Gasket, RH window switch housing .....ea. 3.95
  - 14561-R 55/57, Gasket, power seat switch ..... 3.95
  - 14570-R 55/57, Clip, power seat & window switch retaining ...ea. 2.00
- Note: This clip attaches the switch to the chrome housing & also attaches the chrome housing to the door panel.*



14608



01605-BG

- 14608 55/57, Retainer, cowl wiring grommet .....ea. 14.95
  - 01605-BG 55/57, Grommet, cowl wiring loom .....ea. 3.00
- Note: Also included in #01605-CK firewall grommet kit.*

- 14616-R 55/57, Gasket, LH power window switch .....ea. 3.95
  - 14685-R 55/57, Chrome housing, power seat switches .....ea. 32.58
- Note: See #14529-AR for switches.*

'TYPICAL' T-BIRD POWER WINDOW



14523-R



14524-R

- 14523/4 PLATE - POWER WINDOW SWITCH
- 14523-R 55/57, RH, single type, cad. plated .....ea. 7.50
- 14524-R 55/57, LH, double type, chrome plated .....ea. 18.95

14547-6V-NEW



14547-12V-NEW



- 14547 MOTOR - POWER SEAT
- 14547-6V-NEW 55, 6 Volt, NEW .....ea. 254.95
- 14547-12V-NEW 55/57, 12 Volt, NEW .....ea. 254.95
- 14547-12V-DIAL 57, 12 Volt, Dial-a-matic seat motor .....ea. 249.95
- APK-97 - Power seat gear drive clevis pins & clips .8 pcs. 3.50
- APK-161 - Power seat drive brackets to floor .....8 pcs. 1.65



23279-R

- 23279-R 55/57, Coupling, power seat motor to drive, 2 Req'd ..... 10.46



14552-K

POWER WINDOW CHROME KIT

INCLUDES:

- 1 - 14523-R, RH, Power Window Switch Plate
- 1 - 14524-R, LH, Power Window Switch Plate
- 1 - 14528-AR, RH, Window Switch Housing
- 1 - 14528, LH, Window Switch Housing
- 1 - 14554-R, RH, Window Switch Gasket
- 1 - 14616-R, LH, Window Switch Gasket

- 14552-K 55/57 .....6 pc. kit 86.95



14526-AK

- 14526 FUSE KIT - ALL FUSES FOR CAR
- 14526-AK 55, 6 Volt .....kit 3.75
- 14526-BK 56/57, 12 Volt .....kit Inq.



ELECTRIC WINDOW MOTOR

- 14553 MOTOR - ELECTRIC WINDOW
- 14553-6V-NEW 55, 6 Volt only, NEW .....ea. 254.95
- 14553-12V-NEW 55/57, 12 Volt only, NEW ..... 254.95



**ORDER ONLINE**  
**24 HRS A DAY/7 DAYS A WEEK**  
**CONCOURSEPARTS.COM**





15499-AK

**15499-AK** 55, Back-Up Lamp Kit; Includes all the necessary parts to install Back-Up Lamps on your T-Bird, with instructions. For standard transmission see #15520 & 15540 .....kit 139.95



15499-BK

**15499-BK** 56, Back Up Lamp Kit; Includes all the necessary parts to install Back Up Lamps on your T-Bird, with instructions. For standard transmission see #15520 & 15540 .....kit 71.50



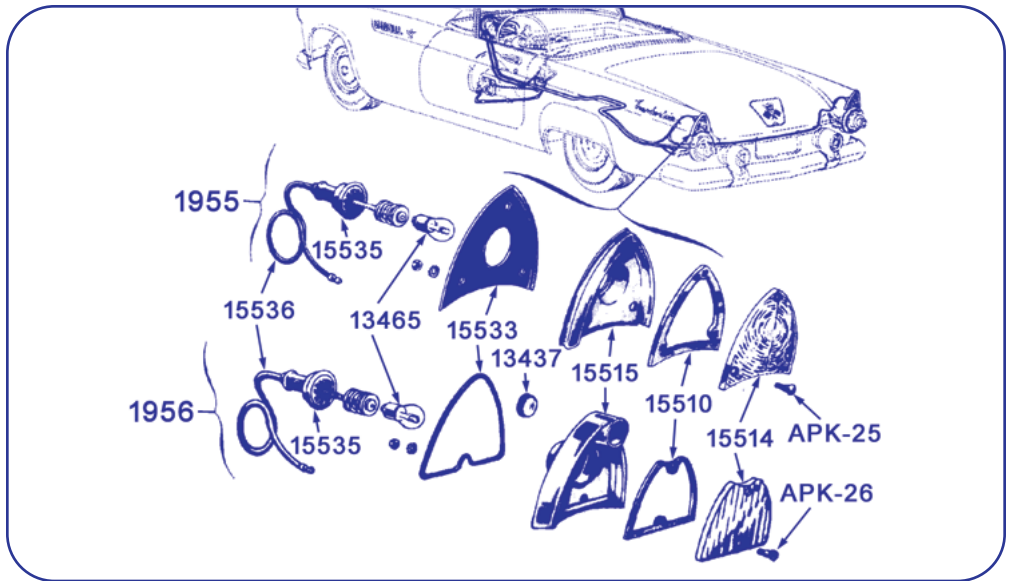
15499-CK

**15499-CK** 57, FM Only, Back Up Lamp Kit; This kit is used if you do not have back-up lights now. #15506-R plugs into the FM neutral safety switch. For standard transmission, see #15520 & 15540 .....kit 189.95



15052 - 6V & 12V 15056-K 15059

**15052-6V** 55, Lighter knob & element with socket .....ea. 54.95  
**15052-12V** 56/57, Lighter knob & element with socket .....ea. 44.95  
**15056-K** 55/57, Lighter knob with shaft . 21.95  
**15059** 55/57, Cigar lighter bezel . . . 21.95



15510-A



15514-A



15533-AR



15533-BR



15533-CR

**15510 GASKET - BACK-UP LAMP LENS**  
**15510-AR** 55, 2 Req'd .....ea. 1.50  
**15510-BR** 56, 2 Req'd .....ea. 1.50

**15514 LENS - BACK-UP LAMP**  
**15514-A** 55, With FoMoCo Script, 2 Req'd .....ea. 9.50  
*APK-25 - Screw kit, 55 . . . . .12 pcs. - 2 sides 6.95*  
*354690-S - Screw only, 6 Req'd .....ea. 1.60*

**15514-B** 56, With FoMoCo Script, 2 Req'd .....ea. 9.50  
*APK-26 - Screw kit, 56 . . . . .4 pcs. - 2 sides 4.95*  
*354973-S - Screw only, 4 Req'd .....ea. 1.35*



15514-C



15515-AR



15515-BR

**15514-C** 55, "Blank-off" plate w/o back-up lamps .....ea. 22.95  
*APK-27 - Screw kit, 55 "blank off" plates to body . . . . .6 pcs. - 2 sides .90*

**15515 HOUSING - BACK-UP LAMP - CHROME**  
**15515-AR** 55, Stamped steel .....ea. 31.50  
**15515-BR** 56, Die cast, with reflector .ea. 38.95  
*APK-138 - Back-Up lamp housing to rear quarters . . . . .12 pcs. - 2 sides 1.90*

**13437** 56, Reflector, back-up lamp housing, 2 Req'd . . .ea. 5.38

**15533 PAD - BACK-UP LAMP HOUSING TO QUARTER PANEL**

**15533-AR** 55, With Back-Up lamps, 2 Req'd .....ea. 2.75  
**15533-BR** 55, Without Back-Up lamps, used with "blank-off" plates .....ea. 3.32  
**15533-CR** 56, Used with or without Back-Up lamps .....ea. 2.10



15520



15535

**15520** 55/57, Switch, Back-Up lamp, Standard or O.D. use with #15540-RK, replacement type .....ea. 14.95

**15535/6 SOCKET - BACK-UP LAMP BULB**

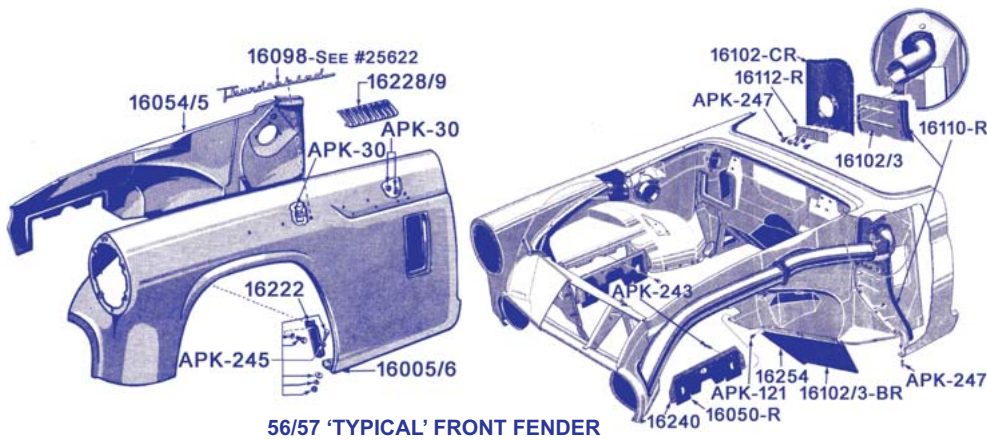
**15535** 55/56, 2 Req'd .....ea. 12.95  
**15536-CR** 57, 2 Req'd .....ea. 19.95



15540-RK

**15540 KIT - BACK-UP SWITCH BRACKET & ACTUATOR**

**15540-RK** 55/57, Standard or O.D. transmission only (except T-85 O.D.) .....kit 20.20



56/57 'TYPICAL' FRONT FENDER



16228/9

- 16228/9 ORNAMENT - "HASHMARK"**  
**16228** 55/57, RH, Front fender . .ea. 29.50  
**16229** 55/57, LH, Front fender . .ea. 29.50  
**APK-30** - Nut kit for #16228/9  
 . . . . .6 pcs. - 1 side 1.00



16237-R

- 16237-R** 55, Emblem, Y-8, front fender, 2 Req'd . . . . .ea. 19.95  
**APK-129** - Nut kit for #16237-R . . .4 pcs. - 2 sides .90



16240-R

- 16240-R** 55/57, Seal, front fender apron, RH or LH, 2 Req'd .ea. 4.25  
**APK-244** - Staple kit .40 pcs. 3.60



16241-A

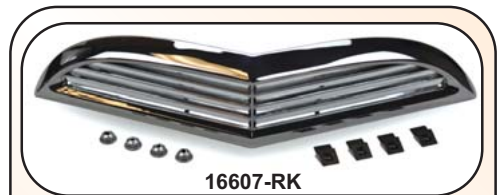
16241-B

- 16241 CLIP - UPPER GRILL MOLDING**  
**16241-A** 55/56, 10 Req'd . . . . .ea. 1.25  
**Note: Also included in APK-126.**  
**16241-B** 57, 10 Req'd . . . . .ea. 1.35  
**Note: Also included in APK-127.**



16254-R

- 16254-R** 55/57, Weatherstrip, splash shield (#16103-BR) to frame . . . . .pr. 4.00  
**APK-244** - Staples for #16254-R . . . . .40 pcs. 3.60



16607-RK

**HOOD AIR SCOOP GRILL KIT**  
 Our Concours Quality Reproduction of the hood scoop grill is a beautifully chromed piece that will fit great on your car! This kit comes complete with the studs, clips and nuts needed to install it on your vehicle.

- 16607-RK** 55/57 . . . . .kit 72.95



16050-R

- 16050-R** 55/57, Metal retainer, for upper control arm seals (#16240) 2 Req'd . . . . .ea. 21.95  
**APK-243** - Screw kit, #16050 to inner fender panel . . . . .8 pcs. - 2 sides 3.25



16102-A

16102-BR

**16102/3 SHIELD - FRONT FENDER SPLASH**

- 16102-A** 56/57, Shield, front fender splash, RH, bolts to inner fender panel & seals to fender . . . . .ea. 49.95  
**APK-247** - Attaching parts for #16102-A including upper seal . . . . .30 pcs. - 2 sides 4.95



16102-CR

- 16102-BR** 55/57, Shield, front inner fender panel to frame, RH, bolts to inner fender panel . . . . .ea. 12.95  
**APK-121** - Attaches #16102-BR .12 pcs. - 2 sides 5.50

- 16102-CR** 56/57, Rubber seal, front fender splash; Seals air duct to fender, 2 Req'd . . .ea. 4.45  
**Note: Use APK-247 for attaching.**

- 16103-A** 56/57, LH, Shield, front fender splash, bolts to inner fender panel & seals to fender . . . . .ea. 49.95  
**Note: Use APK-247 for attaching .**

- 16103-BR** 55/57, LH, Shield, front fender inner fender panel to frame, bolts to inner fender panel . . . 12.95  
**APK-121** - Attaches #16103-BR .12 pcs. - 2 sides 5.50



16110-R

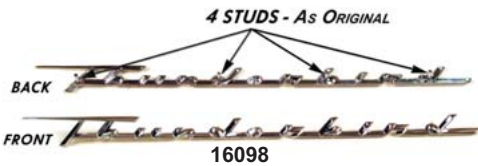
16112-R

16222-R

- 16110-R** 56/57, Weatherstrip, front fender lower splash shield to fender, 17" long attaches to #16102/3-A . . . . .pr. 4.89  
**APK-244** - Staple kit .40 pcs. 3.60

- 16112-R** 55/57, Metal strap, attaches #16102-CR rubber seal to #16102/3-A shield . . . . .ea. 3.50

- 16222-R** 55/57, Brace, frt. fender to inner fender panel, RH or LH **APK-245** - Attaches #16222 . . . . .12 pcs. - 2 sides 5.00



16098

- 16098** 57, "Thunderbird" script, front fender, with 4 studs, As Original, 2 Req'd . . . . .ea. 24.95  
**Refer to #25622 for 55/56 scripts.**  
**APK-28** - Barrel nuts . . . . .4 pcs. - 1 side 1.15  
**APK-29** - "Speed" nut kit, As Original style . .4 pcs. - 1 side 1.25



16101-AK

16101-BK

**FRONT FENDER SPLASH KIT**

**'55 KIT INCLUDES:**

#16102-BR, #16103-BR, 1 pr. - #16254-R, #APK-121 & #APK-244.

**'56/'57 KIT INCLUDES:**

All of the parts in '55 kit plus;

#16102-A, #16103-A, 2 ea. - #16112-R,

2 ea. - #16102-CR, 1 pr. - #16110-R & #APK-247.

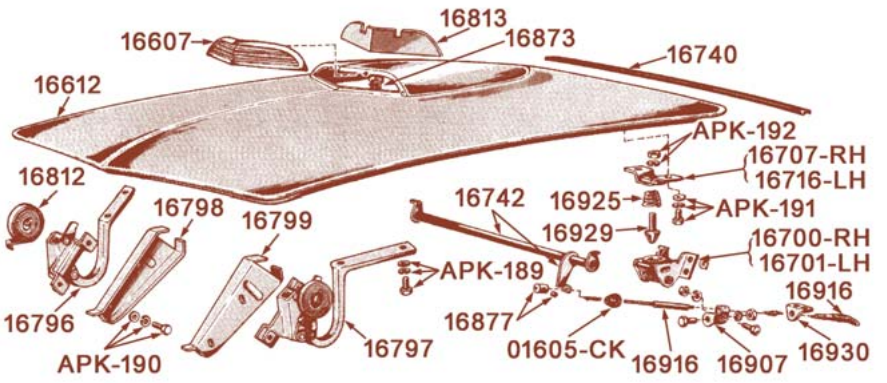
**16101-AK** 55 . . . . .kit 38.95

**16101-BK** 56/57 . . . . .kit 159.95



16612-A

16612-A 55/57, Anti-rattle pad set, hood, located between hood skin & under structure . . . set 6.50



16700-AR 55/57, Spring, hood latch catch assy, fits RH or LH, 2 Req'd . . . . .ea. 4.50

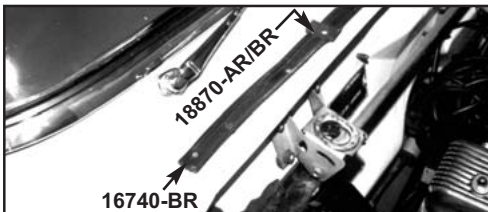
16700-BR 55/57, Pin, (2 piece design) used to install new spring (#16700-AR). *Note: This pin is made in 2 pcs. but after installation it looks like the original pin!* . . . . .ea. 11.85  
*Note: Also included in #16702 kit.*

16702-K 55/57, Kit, hood latch spring & pin, 2 Req'd . . . . .ea. 16.25  
*Note: If you replate your hood latches(#16700-1) the springs will probably break due to the fact that spring steel does not hold up in the replating process.*



16716

16707 55/57, RH . . . . .ea. 37.50  
16716 55/57, LH . . . . .ea. 37.50



16740-AR

16740-BR

16740 RUBBER - HOOD PAD WITH DRIVE NAILS  
16740-AR 55, "S" shaped . . . . .ea. 6.70  
16740-BR 56/57, "U" shaped . . . . .ea. 6.95  
APK-32 - Hood pad drive nails . . . . .7 pcs. 2.25

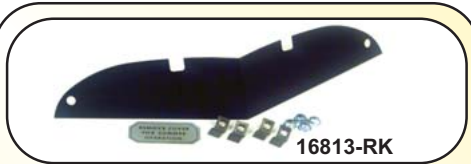


16758 KIT - HOOD BUMPERS & SCREWS  
16758-AR 56 . . . . .set of 4 5.50  
16758-BR 57 . . . . .set of 4 5.50



16812

16812 55/57, Spring, hood hinge .ea. 10.50



16813-RK

**HOOD OPENING KIT**

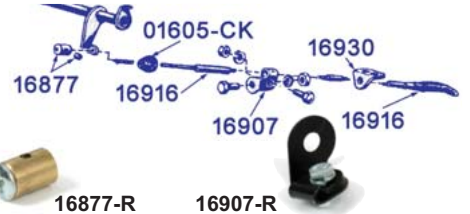
**INCLUDES:**

- 1 - #16813-R, Block-off plate
- 4 - #16873, Spacers
- 4 - #45253-S, Nuts
- 1 - #4, Decal

16813-RK 55/57 . . . . .kit 13.75

**INDIVIDUAL PARTS**

16813-R Plate only, hood "block-off" . . 6.70  
4 Hood block-off plate decal . . . 1.50  
16873 Spacer, hood grille stud . .ea. 1.55  
45253-S Nuts, 4 Req'd . . . . .ea. .10



16877-R 55/57, Clamp with set screw, hood release cable . . . . .ea. 5.15  
16907-R 55/57, Bracket, hood release cable to firewall . . . . .ea. 12.95



16916-R

16916 CABLE - HOOD  
16916-R 55/57, Exact Repro . . . . .ea. 39.95  
16916-U 55/57, Replacement type .ea. 29.95  
APK-154 - Cable to dash bracket . . . . .2 pcs. .95  
APK-155 - Cable bracket to firewall & cable . . . . .6 pcs. 1.40



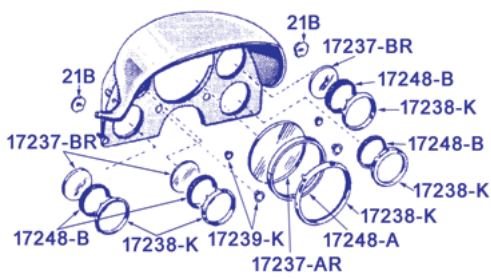
16925-R

16930-R

16925-R 55/57, Spring, hood latch .ea. 2.95  
16929 55/57, Dowel, hood latch .ea. Inq.

16930 BRACKET - HOOD RELEASE CABLE  
16930-R 55/56, Chrome . . . . .ea. 16.50  
16930-B 57, Painted Black . . . . .ea. 10.35  
APK-153 - Cable bracket to dash . . . . .4 pcs. 2.25

**LET US BE YOUR 'CLASSIC' FORD PARTS SUPPLIER**  
SERVICING ALL YOUR PARTS NEEDS FOR:  
✓'55-'57 THUNDERBIRD ✓'48-'72 FORD TRUCK  
✓'58-'66 THUNDERBIRD ✓'60-'72 GALAXIE  
✓'49-'59 'BIG FORD' CAR ✓'62-'72 FAIRLANE  
✓'49-'56 MERCURY CAR ✓'68-'71 TORINO



**1957 GAUGE CLUSTER**



17236-K

**'57 DASH LENS & BEZELS KIT**

INCLUDES THE FOLLOWING:

- 1 - #17238-K, Gauge bezel kit
- 1 - #17237-AR, Speedometer glass
- 3 - #17237-BR, Fuel, temp, & tach glass
- 1 - #18374-R, Clock glass
- 1 - #21B, Jewel set
- 1 - #17248-A, Speedo. trim ring seal
- 4 - #17248-B, Gauge trim ring seal

17236-K 57 .....kit 119.95

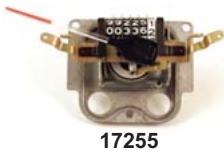
- 17237 GLASS LENS**  
 17237-AR 57, Speedometer dial . . . .ea. 3.95  
 17237-BR 57, Fuel, temp, & tach . . . .ea. 3.45



17238-K

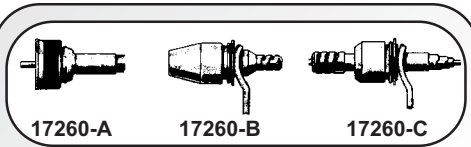
17248-B

- 17238-K 57, Gauge bezel set . . . .kit 83.00  
*Note: Also included in #17236-K.*  
 17239-K 57, Turn signal bezel set . . . . Inq.  
 17248-A 57, Seal, speedometer trim ring . . . . .ea. 1.30  
 17248-B 57, Seal, instrument trim ring, 4 Req'd . . . . .ea. 1.09



17255

- 17255 SPEEDOMETER - REBUILT**  
 55/57, We can usually rebuild any speedometer! If we cannot, there will be no charge Inq.



**SPEEDOMETER CABLE & HOUSING ASSEMBLY**

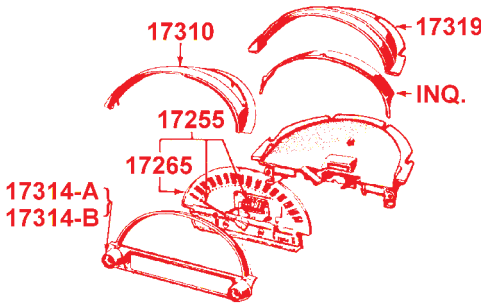
- 17260-A 55, All, 56, Except 312 Engine with 3 speed & 3 speed O.D. . .ea. 26.95  
*Note: This type is used with "Angle Drive".*  
 17260-B 56/57, 312 Engine with 3 speed & 3 speed O.D. . .ea. 39.95  
 17260-C 57, Except 312 Engine with 3 speed & 3 speed O.D. . .ea. 36.95



17292

17298

- 17292 57, With FM, Clip, speedometer gear . . . . .ea. 3.95  
*(Holds speedo driven gear onto end of cable.)*  
 17298 55/57, O-Ring seal, speedo. cable housing or angle drive to transmission . . . .ea. 2.25



17314-A  
17314-B



17261-K

**55/56 DASH LENS & BEZELS KIT**

INCLUDES THE FOLLOWING:

- 1 - #17319-R, Speedometer dome
- 1 - #17314-A, Jewels to dash washers
- 2 - #17314-B, Turn indicator bezels
- 1 - #17362-R, Clock face, with recessed numbers
- 1 - #17361-R, Tach face, with recessed numbers
- 1 - #21A, Jewel set
- 1 - #17320, Speedometer seal
- 1 - #17265-AR, Speedometer face, with recessed numbers

17261-K 55/56 .....kit 154.95



17265-AR

- 17265-AR 55/56, Speedometer face, recessed numbers . . . . .ea. 44.95



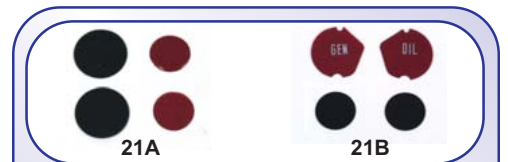
17279

- 17279 55/56, Speedometer cable angle drive . . . . .ea. Inq.  
 17292 57, With FM, Clip, speedometer gear . . . . .ea. 3.95  
*(Holds speedo driven gear onto end of cable.)*  
 17298 55/57, O-Ring seal, speedo. cable housing or angle drive to transmission . . . .ea. 2.25



17310-R  
SET OF 4

- 17310-AR 55/56, Clip set, speedometer gauge cluster to dash .set of 4 13.50



21A

21B

**JEWEL SET**

- 21A 55/56, Oil, generator & turn signals . . . . .ea. 5.95  
 21B 57, Oil, generator & turn signals . . . . .ea. 7.35



17314-A

17314-B

- 17314-A 55/56, Chrome washer, jewels to dash . . . . .pr. 9.50  
 17314-B 55/56, Chrome, turn indicator bezel . . . . .ea. 19.95  
 17317-A 55/56, Lens, high beam indicator . . . . .ea. 9.95



17319-R

- 17319-R 55/56, Dome plastic, speedometer . . . . .ea. 27.95

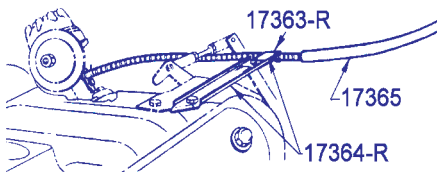




**SPEEDOMETER GEARS**

**1955-1956**

- 17322-A 20 teeth, 292 engine with 3:92-1 diff. ratio & o.d. transmission, **NOS Genuine Ford part** . . . . .ea. 19.95
- 17322-C 19 teeth, FM trans & 3:31-1 diff. ratio . . . . .ea. 19.95
- 17322-D\* 56/57, 22 teeth, 312 engine, T-85 o.d. trans. & 3:92-1 diff. ratio . . . . .ea. 19.95  
*\*Note: 22T gear is a replacement for the original 23T gear.*
- 17322-E 56/57, 21 teeth, optional gear . . . . .ea. 19.95
- 1957**
- 17322-B 19 teeth, FM trans . . . . .ea. 19.95
- 17322-D\* 56/57, 22 teeth, 312 engine, T-85 o.d. trans. & 3:92-1 diff. ratio . . . . .ea. 19.95  
*\*Note: 22T gear is a replacement for the original 23T gear.*
- 17322-E 56/57, 21 teeth, optional gear . . . . .ea. 19.95
- 17292 57 with FM, Clip, speedometer gear . . . . .ea. 3.95  
*(Holds speedo driven gear onto end of cable.)*
- 17298 O-Ring seal, speedometer cable housing or angle drive to transmission . . . . .ea. 2.25



**'TYPICAL' 1955**



- 17363-R 55, Clip, tachometer cable to #17364 bracket . . . . .ea. 2.25
- 17364-R 55, Tachometer cable bracket assembly on intake manifold . . . . .ea. 11.85
- 17364-BR 56/57, Clip, tachometer cable to firewall . . . . .ea. 1.56

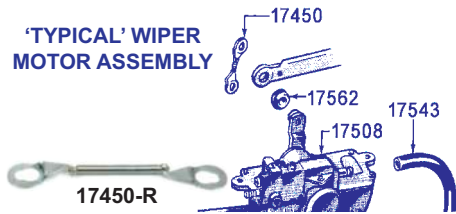


**TACHOMETER CABLE & HOUSING ASSEMBLY**

- 17365-A 55, Correct length & with rubber covering . . . . .ea. Inq.
- 17365-B 56/57, **Correct length!** . . . . .ea. 39.50
- 17365-M 55/57, Tach cable for Mallory Distributor . . . . .ea. 36.50
- 17374 55/57, Tach drive gear . . . . .ea. 37.95
- 17383 55/57, O-Ring seal, tach. cable housing . . . . .ea. .65



- 17360 **TACHOMETER - REBUILT** 55/57, We can usually rebuild any tachometer! If we can't, there will be no charge . . . . .ea. Inq.
- 17361-R 55/56, Tachometer face, recessed numbers . . . . .ea. 16.95
- 17361-AR 55/56, Tachometer needle pointer . . . . .ea. 10.95
- 17362-R 55/56, Clock face, recessed numbers . . . . .ea. 16.95
- 18374-R 57, Clock face . . . . .ea. 10.95



- 17450-R 55/57, Clip & spring, wiper arms to motor . . . . .ea. 8.95



- 17512 55/57, Wiper motor, rebuilt . . . . .ea. 139.95  
**Refundable core charge . . . . .200.00**
- 17509-K 55/57, Electric wiper motor conversion kit, 12V. **Convert your old tired vacuum system to electric** . . . . .ea. 299.95
- 17512 57, Nut, windshield wiper switch . . . . .ea. 12.95
- 17513-R 55/57, Knob, windshield wiper . . . . .ea. 19.95



**INTERMITTENT DELAY SWITCH KIT**

**Kit INCLUDES:**

- 1 - #17508-ID, Intermittent delay switch
- 1 - #17508-ID-EXT, Delay switch extension
- 17508-ID-K 55/57 . . . . .kit 119.95

**INDIVIDUAL PIECES FROM ABOVE KIT**

- 17508-ID 55/57, Intermittent delay switch . . . . .ea. 94.95
- 17508-ID-EXT 55/57, Inter. delay switch extension . . . . .ea. 27.50

**WASHER PUMP/SWITCH KIT**

**Kit INCLUDES:**

- 1 - #17507-WP, Washer pump & hose kit
- 1 - 17508-WPS, Washer pump switch
- 1 - #17508-EXTENSION, Shaft extension
- 17508-WP-KIT 55/57 . . . . .kit 104.95

**INDIVIDUAL PIECES FROM ABOVE KIT**

- 17508-WP 55/57, Washer pump & hose kit . . . . .ea. 39.95
- 17508-WPS 55/57, Washer Pump Switch (**Activates washer pump, operates high & low speed**) . . . . .ea. 39.95
- 17508-EXTENSION 55/57, Wiper switch shaft extension (See Above) . . . . .ea. 27.50



- 17514/15-R 55/57, Chrome bezels, windshield wiper arms . . . . .pr. 23.95
- 356094-S - Special chrome nut, bezel retaining . . . . .ea. 5.00



**WINDSHIELD WIPER BEZEL KIT**

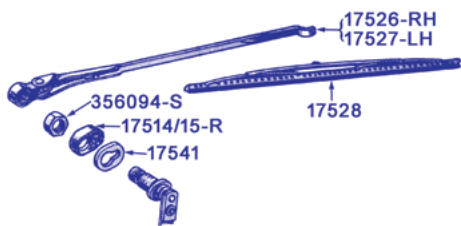
**INCLUDES:**

- 1 pr. - #17514/15-R, Wiper Arm Chrome Bezels
- 2 ea. - #356094-S, Bezel Retaining Nuts
- 2 ea. - #17541-R, Wiper Pivot to Cowl Gaskets
- 17516-K 55/57 . . . . .kit 34.95

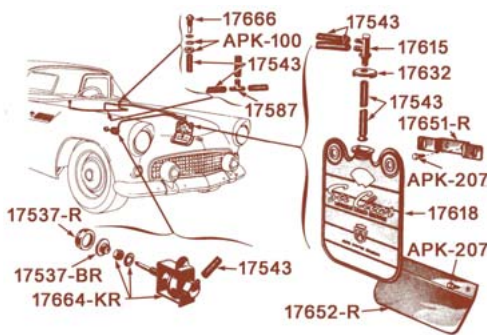
**LET US BE YOUR 'CLASSIC' FORD PARTS SUPPLIER**

**SERVICING ALL YOUR PARTS NEEDS FOR:**

/'55-'57 THUNDERBIRD /'48-'72 FORD TRUCK  
 /'58-'66 THUNDERBIRD /'60-'72 GALAXIE  
 /'49-'59 'BIG FORD' CAR /'62-'72 FAIRLANE  
 /'49-'56 MERCURY CAR /'68-'71 TORINO



'TYPICAL' WIPER ARM ASSEMBLY



'TYPICAL' WINDSHIELD WASHER



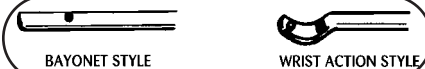
17618-55-K

**WINDSHIELD WASHER RESERVOIR KIT**

INCLUDES THE FOLLOWING:

- 1 - #17618, Reservoir
- 1 - #17651-R, Bracket
- 1 - #17587, Washer Hose Tee
- 1 - #17543-BK, Hose kit
- 1 - #17632, Cover
- 1 - #17652-R, Plate
- 1 - #17615, Reservoir Tee
- 1 - #APK-207 - Attaching kit

17618-55-K 55	.....kit	74.95
17618-56-K 56	.....kit	74.95
17618-57-K 57	.....kit	74.95



17525-XK

**WINDSHIELD WIPER ARMS & BLADES**

INCLUDES THE FOLLOWING:

- 1 - #17526-CP, RH Wiper arm
- 1 - #17527-CP, LH Wiper arm
- 2 - #17528-BSS-12, 12" Wiper blades

17525-XK	55/57, Windshield wiper arms & blades, "bayonet" connection	.....kit	74.95
----------	---	----------	-------

**17526/7 ARM - WINDSHIELD WIPER**

17526-CP	55/57, RH, "bayonet" connection	.....ea.	19.95
----------	---------------------------------	----------	-------

17526-A	Early 55, RH, with "wrist" connection, Exact Reproduction	.....ea.	34.95
---------	---	----------	-------

17527-CP	55/57, LH, "bayonet" connection	.....ea.	19.95
----------	---------------------------------	----------	-------

17527-A	Early 55, LH, with "wrist" connection, Exact Reproduction	.....ea.	34.95
---------	---	----------	-------

**17528 BLADE - WINDSHIELD WIPER**

17528-BSS-12	55/57, Stainless steel, "bayonet" connection, Quality Reproduction	.....ea.	19.95
--------------	--	----------	-------

17528-A	Early 55, With "wrist" connection, Exact Reproduction	.....ea.	34.95
---------	---	----------	-------

17528-B	Late 55/57, With "bayonet" connection, Exact Reproduction	.....ea.	34.95
---------	---	----------	-------



17537-R



17537-BR



17537-C

17537-R	55/57, Pad, windshield washer pump pedal	.....ea.	4.95
---------	--	----------	------

17537-BR	55/57, Base, windshield washer pump pedal pad; Includes #17537-C clip	.....	11.95
----------	---	-------	-------

17537-C	55/57, Clip, attaches #17537-BR to pump shaft	.....	1.31
---------	---	-------	------



17541-R



17543-BK

17541-R	55/57, Leather gasket, windshield wiper pivot to cowl, 2 Req'd	.....ea.	1.25
---------	--	----------	------

**17543 HOSE KIT - WINDSHIELD WIPER OR WASHER**

17543-AK	55/57, Includes vacuum hoses for fuel pump, windshield wiper motor & heater vacuum valves (2)	.....kit	9.95
----------	---	----------	------

17543-BK	55/57, Windshield washer system	.....kit	9.95
----------	---------------------------------	----------	------



17562-R



17587



17615

17562-R	55/57, Grommet, wiper arm link, 2 Req'd	.....ea.	1.25
---------	---	----------	------

17587	55/57, Tee, windshield washer hose	.....ea.	2.95
-------	------------------------------------	----------	------

17615	55/57, Tee, windshield washer hose to reservoir	.....ea.	16.82
-------	---	----------	-------



17618-55



17618-56



17618-57

**17618 RESERVOIR - WINDSHIELD WASHER - EXACT REPRODUCTION**

17618-55	55, "55" printed at bottom of bag	.....ea.	21.95
----------	-----------------------------------	----------	-------

17618-56	56, "56" printed at bottom of bag	.....ea.	21.95
----------	-----------------------------------	----------	-------

17618-57	57, "57" printed at bottom of bag	.....ea.	21.95
----------	-----------------------------------	----------	-------



17632



17651-R



17652-R

17632	55/57, Cover, windshield washer reservoir	.....ea.	4.45
-------	---	----------	------

17651-R	55/57, Bracket, windshield washer reservoir	.....ea.	12.80
---------	---	----------	-------

17652-R	55/57, Plate, windshield washer res. lower support	.....ea.	6.25
---------	--	----------	------

**APK-207 - Kit to attach #17651-R & #17652-R to inner fender panel** . . . 4 pcs. 1.15



17664-KR

17664-KR	55/56, Windshield washer pump assembly, replacement for 57	.....ea.	79.95
----------	--	----------	-------

*Note: Also see #17537-R, #17537-BR, & #17537-C.*



17666-R



17666-AR

**17666 NOZZLE - WINDSHIELD WASHER**

17666-R	55/57, Exact reproduction nozzle	.....ea.	13.95
---------	----------------------------------	----------	-------

17666-AR	55/57, Gasket, washer nozzle	.....pr.	1.40
----------	------------------------------	----------	------

**APK-100 - Kit to attach nozzles** . . . . 4 pcs. - 2 sides 1.06





17696-AF

- 17696 MIRROR ASSEMBLY - OUTSIDE REAR VIEW**
- 17696-AR** 55, With front screw from the bottom & the rear screw attaching from the top (Includes Screws) . . . 39.95
- 17696-AF** 55, Same as above  
W/ **FoMoCo Script** . . . .ea. 75.00
- 17696-BR** 56/57, With both screws attaching from the top (Includes Screws) . . . .ea. 39.95
- 17696-BF** 56/57, Same as above  
W/ **FoMoCo Script** . . . .ea. 75.00
- 17696-CR** 55/57, Paper gasket\* . . . .ea. 1.25
- 17696-E** 55/57, Rubber gasket\* . . . .ea. 1.75
- \*Note: No gasket was used by Ford in the original installation.*
- APK-33** - Attaches 17696-AR, 55 . . . . .3 pcs. .65
- APK-34** - Attaches 17696-BR, 56/57 . . . . .2 pcs. .65



- 17700-R** 55/57, Inside mirror & stem . . . . .ea. 27.80
- 17700-DN** 55/57, Day/Night mirror, repl. type, approx. 10" wide, **mirror & stem only** . . . .ea. 79.95
- 17700-AR** 55/57, Inside mirror & stem; **With mounting bracket assy** . 42.95
- 17700-ARF** 55/57, Inside mirror & stem; **With mounting bracket assy; With FoMoCo Script** . . . .ea. 46.95
- 17702-R** 55/57, Mounting bracket & ball stud assy; Inside mirror . 14.75
- 17702-RF** 55/57, Mounting bracket & ball stud assy; Inside mirror, **With FoMoCo Script** . . . .ea. 16.95
- Note: Also included in 17700-AR.*
- APK-35** - Kit to attach inside mirror base to windshield frame . . . . .3 pcs. 1.80



- 17736** 55/56, Front license bracket . . . . .ea. 15.95
- Note: Hangs from RH bumper guard bolt.*

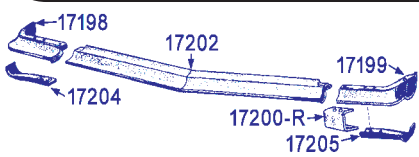


17758-AK-55

- BUMPER BOLT KITS**  
*Front & Rear with original type "CONCOURS QUALITY" fine thread bolts.*
- 17758-56NF** 56, **INCLUDES:**  
10 ea. - #17758-RNF bolts  
4 ea. - #17758-BNF bolts  
1 ea. - #17759-AK spacer & wedge kits  
14 ea. - #APK-49-A kits . . .kit 124.95
- Front & Rear replacement type with (NC) coarse thread bolts.**
- 17758-AK-55** 55, **INCLUDES:**  
10 ea. - #17758-A (NC) bolts  
4 ea. - #17758-BNF long bolts,  
2 ea. - #17759-AK spacer/wedge kits  
14 ea. - nuts, lock & flat washers . . . . .kit 31.50
- 17758-AK-56** 56, **INCLUDES:**  
10 ea. - #17758-A (NC) bolts  
4 ea. - #17758-BNF long bolts  
1 ea. - #17759-AK spacer & wedge kit  
14 ea. - nuts, lock & flat washers . . . . .kit 29.95
- 17758-BK** 57, **INCLUDES:**  
6 ea. - #17758-A (NC) bolts  
6 ea. - nuts, lock & flat washers . . . . .kit 11.95
- INDIVIDUAL PARTS**
- 17758-A** Bumper bolt, 'stainless clad', 7/16" x 1-1/4" coarse, replacement type . . . . .ea. 1.25



- 17759-AK** 55/56, Kit, sleeve & wedge for bumper bolts used with guards. '55 - 2 Req'd, '56 - 1 Req'd . . . . .kit 8.95
- Note: Also included in #17758-K bumper bolt kits.*



- 17198-9 STONE DEFLECTOR - FIBERGLASS**
- 17198-FR** 55/57, RH . . . . .ea. 69.95
- 17199-FR** 55/57, LH . . . . .ea. 69.95
- 17200-R** 57, Spacer bracket, "U Shaped", front fender end brace (#17204-5-R) to end stone deflector (#17198-9) .ea. 16.50



17202

- 17202** 57, Front stone deflector, chrome . . . . .ea. 154.95



17204-R 17205-R

- 17204-5 BRACE - FRONT BUMPER END**
- 17204-R** 57, RH . . . . .ea. 49.95
- 17205-R** 57, LH . . . . .ea. 49.95
- APK-40** - To attach 57 bumper ends to brackets . . . .2 sides 12.95



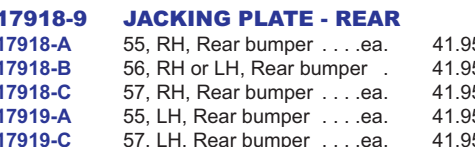
- 17779** 55/56, Front gravel deflector, **Fiberglass Reproduction** . . 259.95



- 17808 DEFLECTOR - REAR BUMPER**
- 17808-AR** 56, Rubber . . . . .pr. 7.50
- 17808-B** 57, Rubber, staples to rear gravel deflector . . . .ea. 11.95



- 17840/1 JACKING PLATE - FRONT**
- 17840-A** 55/56, LH, Front bumper .ea. 39.95
- 17841-A** 55/56, RH, Front bumper .ea. 39.95

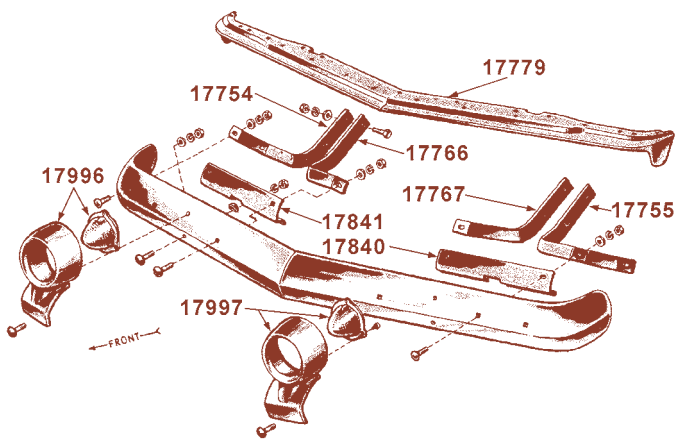


- 17918-9 JACKING PLATE - REAR**
- 17918-A** 55, RH, Rear bumper . . . .ea. 41.95
- 17918-B** 56, RH or LH, Rear bumper . 41.95
- 17918-C** 57, RH, Rear bumper . . . .ea. 41.95
- 17919-A** 55, LH, Rear bumper . . . .ea. 41.95
- 17919-C** 57, LH, Rear bumper . . . .ea. 41.95

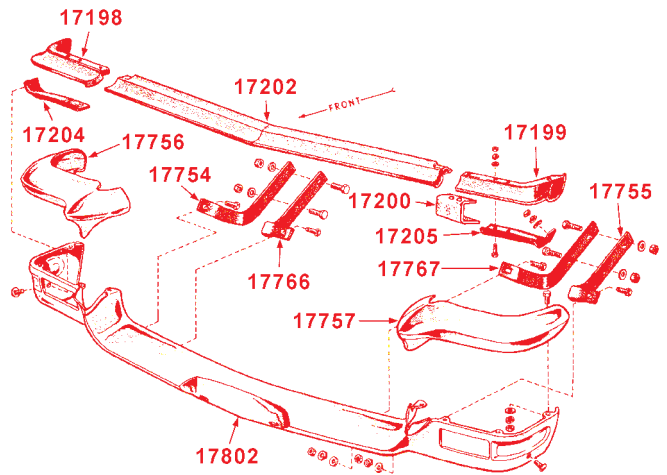
- 17984-A** 55, Rear bumper guard inserts . . . . .ea. Inq.



- FRONT BUMPER GUARD SET**  
One pair of stamped steel, like original, bumper guards & one pair of front inserts.  
*They will work on your 1955 rear bumper also, but you must use your old inserts.*
- 17996-7** 55/56, Front bumper guards. Will also fit 1955 rear, using your old inserts . . . . .pr. 895.00



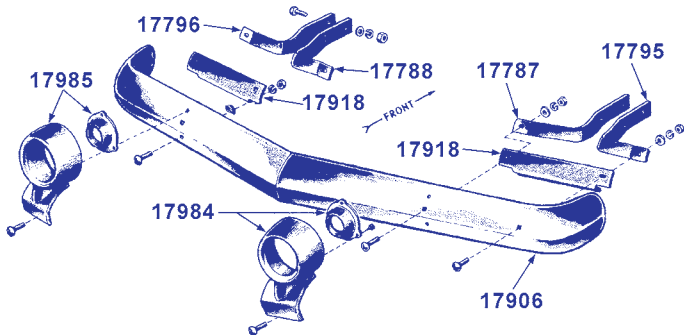
55/56 FRONT BUMPER



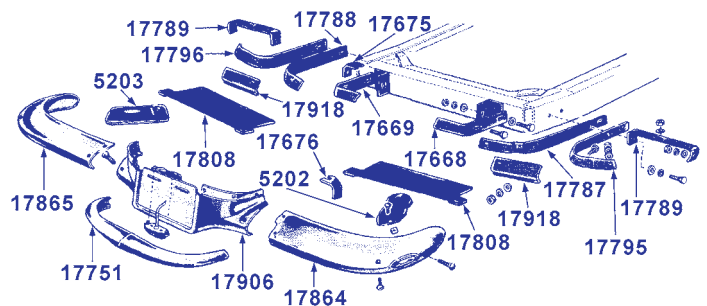
57 FRONT BUMPER

**FRONT BUMPER BRACKETS**

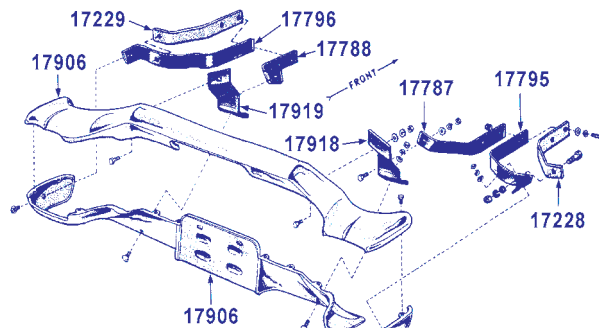
17766-A	55/56, RH, Inner . . . . .ea.	53.95	17755-A	55/56, LH, Outer . . . . .ea.	53.95	17754-C	57, RH, Outer . . . . .ea.	53.95
17767-A	55/56, LH, Inner . . . . .ea.	53.95	17766-C	57, RH, Inner . . . . .ea.	53.95	17755-C	57, LH, Outer . . . . .ea.	53.95
17754-A	55/56, RH, Outer . . . . .ea.	53.95	17767-C	57, LH, Inner . . . . .ea.	53.95			



55 REAR BUMPER



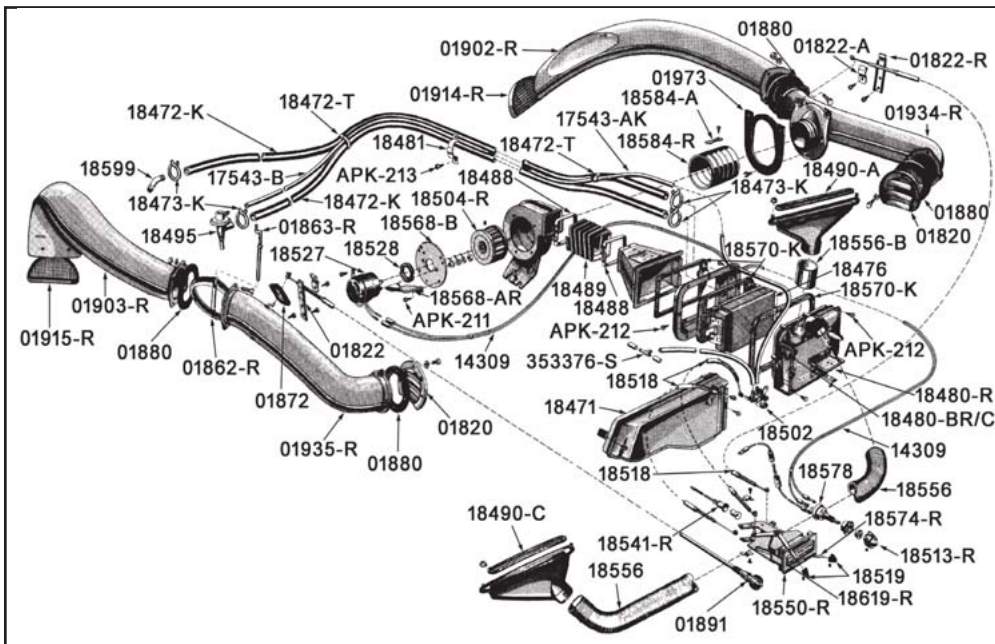
56 REAR BUMPER



57 REAR BUMPER

**REAR BUMPER BRACKETS**

17787-A	55, RH, Inner . . . . .ea.	53.95	17787-C	57, RH, Inner . . . . .ea.	53.95	<b>ATTACHING PARTS KITS FOR FRONT &amp; REAR BUMPER BRACKETS</b> <b>APK-38</b> Attach 55/56 front bumper brackets to frame . . . . 2 sides 5.95 <b>APK-39</b> Attach 57 front bumper brackets to frame . . . . 2 sides 12.95 <b>APK-44</b> Attach 55 rear bumper brackets to frame . . . . 2 sides 5.95 <b>APK-45</b> Attach 56 rear bumper brackets to frame . . . . 2 sides 13.95 <b>APK-46</b> Attach 57 rear bumper brackets to frame . . . . 2 sides 11.95 <b>APK-47</b> Attach 57 bumper halves . . . . .48 pcs. 10.95
17788-A	55, LH, Inner . . . . .ea.	53.95	17788-C	57, LH, Inner . . . . .ea.	53.95	
17795-A	55, RH, Outer . . . . .ea.	53.95	17228-C	57, RH, Outer . . . . .ea.	53.95	
17796-A	55, LH, Outer . . . . .ea.	53.95	17229-C	57, LH, Outer . . . . .ea.	53.95	
17787-B	56, RH, Inner . . . . .ea.	53.95	17795-C	57, RH, Center . . . . .ea.	53.95	
17788-B	56, LH, Inner . . . . .ea.	53.95	17796-C	57, LH, Center . . . . .ea.	53.95	
17789-B	56, RH or LH, Outer . . . . .ea.	53.95				
17795-B	56, RH, Center . . . . .ea.	53.95				
17796-B	56, LH, Center . . . . .ea.	53.95				
17668-B	56, RH, Middle Center . . . . .ea.	39.95				
17669-B	56, LH, Middle Center . . . . .ea.	39.95				
17675-B	56, LH, Middle Inner . . . . .ea.	20.95				
17676-B	56, RH, Middle Inner . . . . .ea.	20.95				



**HEATER CORE & GASKET KIT**

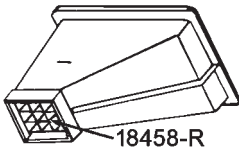
INCLUDES:

- 1 ea. - #18476, Heater core
- #18480-K, Felt seal kit
- #18489, Square duct
- #18528-R, Grommet
- #18570-RK, Heater gasket set
- #18556-K, Defroster hose kit
- #18584-R, Duct
- #01890-RK, Duct gasket kit
- #18472-K, Heater hose kit
- 2 ea. - #18488, Square duct clamp
- 1 ea. - #APK-210, 211, 212 & 213, Attaching parts kits

18475-K 55/57 .....kit 214.95



18458-R



18458-R

18458-R 55/57, Cardboard diffuser, heater duct .....ea. 7.75



18472-K

**HEATER HOSE & CLAMP INSTALL. KIT**

INCLUDES:

- 8 ft. - #18472, Hose
- 1 ea. - #18473-K, Clamp kit

18472-K 55/57 .....kit 17.50

*Note: Includes enough for bypass hose.*



18480-R

18480-K

**HEATER/DEFROSTER OUTLET KIT**

INCLUDES:

- 1 ea. - #18480-R, Felt seal, back of heater door
- 1 ea. - #18480-BR, Felt seal, for defroster flapper
- 1 ea. - #18480-D, Rubber bumper, defoster flapper
- 1 pr. - #18480-C, Grommet, for defroster flapper shaft

18480-K 55/57 .....kit 7.95

*Note: Also refer to paint section for "Krynkle" paint.*

**INDIVIDUAL PARTS**

- 18480-R Felt seal, heater door .....ea. 2.50
- 18480-BR Felt seal, defr. flapper .....ea. 3.75
- 18480-C Grommet, defroster flapper shaft .....pr. 1.35
- 18480-D Rubber bumper, defroster flapper, 1 Req'd .....ea. 1.60



18471-R

18471-R 55/57, Heater chamber (ABS) 64.95



18472-T

18472-T 55/57, Aluminum tie, heater hoses, 2 Req'd 55, Spark plug wire grom, 2 Req'd .....ea. 2.75

18472 55/57, Heater hose 5/8", 8 feet Req'd .....per foot 1.60

'ORIGINAL STYLE'



18473-K

18473-K 55/57, Kit, heater & bypass hose clamps .....6 pcs. 4.25  
*Note: Also included in #18472-K.*



18476

18476 55/57, Heater water core, new APK-212 - Kit to attach heater core to housing & housing to firewall .....14 pcs. 104.95  
1.85



18481-R

18488

18489

18481-R 55/57, Clamp, heater hoses to RH inner fender panel .....ea. 6.37  
APK-213 - Kit to attach #18481-R .....2 pcs. .90

18488 55/57, Square clamp, to attach #18489, 2 Req'd .....ea. 4.95

18489 55/57, Square duct, heater to blower air duct .....ea. 22.95  
*Note: See #18584-AR for round duct.*



18495-REP



FDA-18495-D

**18495 WATER VALVE - HEATER CONTROL**

- 18495-REP 55/57, Quality Reproduction 82.95
- FDA-18495-D 55/57, Shut-off valve can be used in place of original valve .....ea. 19.95



18495-RK

18495-RK 55/57, Kit, water valve, manual, replacement . . . .ea. 79.95



18502

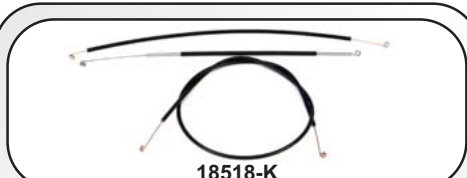
18504-R

18513-R

18502 55/57, Valve, heater vacuum, mounts inside heater as original, **NOS** . . . . .ea. Inq.

18504-R 55/57, Squirrel cage fan, heater motor . . . . .ea. 24.95

18513-R 55/57, Knob, heater blower control . . . . .ea. 17.95



18518-K

**HEATER, DEFROST & VENT CABLE KIT**

**INCLUDES:**

- 1 ea. - #18518-AR, Temp. Cable
- 1 ea. - #18518-BR, RH Vent Cable
- 1 ea. - #18518-CR, Defroster Cable

18518-K 55/57 . . . . .3 pcs. 42.50

*Note: Also see #01891-R for LH cable assy.*



18518-AR

**18518 CABLE & HOUSING - HEATER, DEFROSTER & VENT**

18518-AR\* 55/57, Heater temperature control, 18" . . . . .ea. 13.95

18518-BR\* 55/57, Vent Cntl, RH, 39-1/2" . . . . .ea. 19.95

18518-CR\* 55/57, Heater - Defroster Control, 15-1/2" . . . . .ea. 13.95

*\*Note: Above cables incl. in #18518-K.*



18519-AR

18519-BR

**18519 KNOB - DEFROSTER CONTROL**

18519-AR 55, 2 Req'd . . . . .ea. 11.95

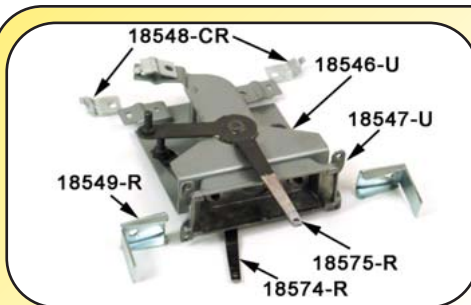
18519-BR 56/57, 2 Req'd . . . . .ea. 11.25



18527-B

**18527 MOTOR - HEATER BLOWER**

18527-B 56/57, Replacement Type . . . . 174.95



18548-CR 55/57, Clip, heater cntl. cable . . . . .ea. 1.95

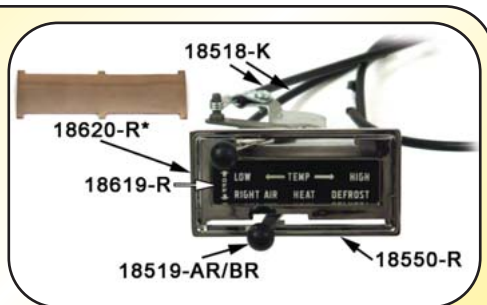
18549-R 55/57, Clip, heater cntl. face . . . . .ea. 8.95

18574-R 55/57, Heater temperature lever, lower . . . . .ea. Inq.

18575-R 55/57, Lever, heater temperature, upper . . . . .ea. Inq.

18546-U 55/57, Heater control main body, **used** . . . . .ea. Inq.

18547-U 55/57, Heater control face housing, **used** . . . . .ea. Inq.



18619-R 55/57, Plastic control face .ea. 12.95

18550-R 55/57, Chrome face, heater control . . . . .ea. 37.65

18519-AR 55, Knob, 2 Req'd . . . . .ea. 11.95

18519-BR 56/57, Knob, 2 Req'd . . . . .ea. 11.25

18518-K 55/57, Heater, Defroster & Vent cable kit . . . . .3 pcs. 41.50

18620-R\* 55/57, Heater face backup plate . . . . .ea. 7.95

*\*Goes behind #18619-R to diffuse the light.*



18527-CW

18528-R

18541-R

**18527-W WIRE PIGTAIL SET - HEATER**

**MOTOR - EXACT REPRODUCTION**

18527-AW Early 55, Cloth type wire .set 8.95

18527-BW Later 55, PVC type wire .set 8.95

18527-CW 56/57, PVC type wire & molded ends . . . . .set 12.50

18528-R 55/57, Grommet, heater motor mounting . . . . .ea. 4.44

18541-R 55/57, Wire & socket, heater control light . . . . .ea. 10.95



18556-K

**DEFROSTER HOSE KIT**

**INCLUDES:**

- 1 ea. - #18556, LH Defroster hose
- 1 ea. - #18556-BR, RH Defroster hose

18556-K 55/57 . . . . .kit 30.50

18556 55/57, Hose, LH, defrost, 2 1/2" x 3' . . . . .ea. 25.95

18556-B 55/57, Hose, RH, defrost, 2 1/2" . . . . .ea. 6.25



18568-AR

18568-BR

18568-AR 55/57, Heat shield, heater blower motor . . . . .ea. 17.50

18568-BR 55/57, Round plate, heater motor mounting . . . . .ea. 17.50

*APK-211 - To attach plate to housing . . . . .5 pcs. 1.45*



18570-RK

18570-RK 55/57, Kit, Heater gasket mounting; Includes 1 ea. #18570, #18568 & #18688 . . . . .3 pc. kit 7.95



FRONT

BACK

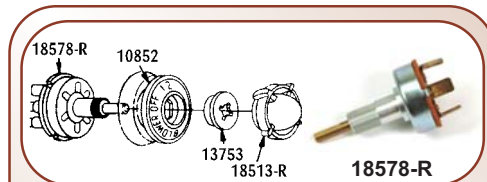
18550-K

18550-K 55/57, Heater/defroster face assembly . . . . .ea. 64.95



18574/5

18574/5 55/57, Heater & defroster control levers, stainless . .set 29.95



18578-R 55/57, Switch, heater motor . . . . .ea. 29.20

10852-HB 55/57, Bezel, heater blower switch . . . . .ea. 16.95

13753 55/57, Nut, heater blower & wiper control . . . . .ea. 12.95

18513-R 55/57, Knob, heater blower control . . . . .ea. 18.55



18584-R

18584-R 55/57, Round duct, blower housing to RH air duct valve . . . . .ea. 16.50



18584-AR

18584-AR 55/57, Metal strap retainer for #18584 . . . . .ea. 1.85



18599

18599 55/57, Elbow, water pump to heater hose . . . . .ea. 12.95



18804-B

18804 FACE PLATE - RADIO DIAL  
18804-A 55 . . . . .ea. 22.95  
18804-B 56/57 . . . . .ea. 22.95



18805-V12

18805 VIBRATOR  
18805-V6 55, 6 Volt . . . . .ea. 42.50  
18805-V12 56/57, 12 Volt . . . . .ea. 42.50



18807-CR

18807-CR 55/57, Pigtail, speaker wire . . . 15.95



18808-A

18808-A 55/57, A high quality speaker with proper ohm rating . . .ea. 21.95  
*Note: Use with #18807-CR Pigtail. For stereo speaker #SP-1 refer to the accessory section.*



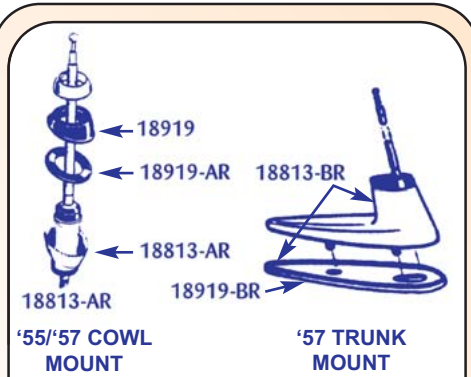
18829-S 18829-D

18829 KNOB - RADIO  
18829-D 55/57, "D" shaft . . . . . 15.95  
18829-S 55/57, "Split" shaft . . . . . 15.95



18830-R

18830-R 55/57, Radio tuner bezel .ea. 11.35



18813-AR



18813-BR

18813-AR 55/57, Cowl Mount Antenna with "ring", *As Original*. Includes #18919 plastic base & #18919-AR rubber pad. **MADE WITH STAINLESS STEEL MAST** . . . . .kit 58.50

18813-BR 57, Rear Deck Mount Antenna, **Concours Quality reproduction** with all necessary parts . . . . . 94.95



18919 55/57, Stanchion, cowl mount antenna . . . . .ea. 10.95  
18919-AR 55/57, Pad, antenna mounting to cowl . . . . .ea. 2.85  
18919-BR 57, Pad, antenna mounting to rear deck . . .ea. 6.50



18870-AR



18870-BR

18870 CLIP - RADIO NOISE SUPPRESSOR  
18870-AR 55 . . . . .ea. 3.65  
18870-BR 56 . . . . .ea. 3.65  
*Note: Not used on '57 models.*



18912-D

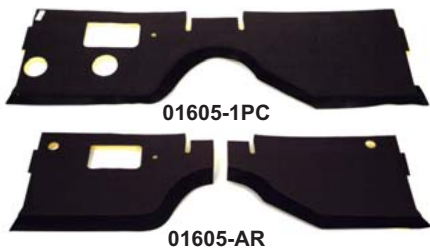
18912-D 55/57, Grommet, Seals antenna lead to body hole & door "Dogleg Hole" . . . . .ea. 3.25



**ORDER ONLINE**  
**24 HRS A DAY/7 DAYS A WEEK**  
**CONCOURSEPARTS.COM**







**01605 FIREWALL COVER**

- 01605-AR1PC** 55/57, Firewall cover - One piece design. Incls. insulation. **Concours Quality as original! Our firewall covers are the best in the industry!** . . . . .ea. 79.95
- 01605-AR** 55/57, Firewall cover - Two piece design joined at the center, but joint is hidden after the heater plenum chamber is installed. Incls. insulation. **WE RECOMMEND THIS TYPE IF YOU DO NOT HAVE YOUR DASH COMPLETELY DISASSEMBLED** . . . . .ea. 53.01



**01605-K KIT - FIREWALL COVER FASTENERS**

- 01605-DK** 55/57, *Exact repro. of the orig.* METAL TYPE . . .set of 12 39.50
- 01605-BK** 55/57, *Ford replacement* PLASTIC TYPE, . . . . .set of 12 4.44



**FIREWALL GROMMET KIT**

- 01605-CK** 55/57, Our **Concours Quality reproductions** in **neoprene** type rubber. Includes: 1 ea. - wire loom, hood cable, tach cable, windshield washer hose, vacuum hose & RH vent cable grommets . . . . .set of 6 11.00
- 01605-EK** 55/57, Incls. all grommets in above #01605-CK kit plus #14608 Main Wiring grommet retainer . . . . .set of 7 23.50

**INDIVIDUAL PARTS IN ABOVE KIT**

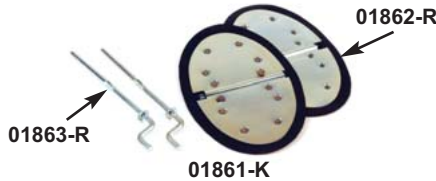
- 01605-AG** Vent cable grommet, RH . . . . 3.00
- 01605-BG** Main wire loom grommet . . . . 3.00
- 01605-CG** Windshield wiper vacuum hose grommet . . . . .ea. 2.50
- 01605-DG** Hood cable grommet . . . . .ea. 1.50
- 01605-EG** Windshield washer grom . . . . 1.50
- 01605-F** Tachometer cable grom . . . . . 4.00
- 14608** Main wiring grommet retainer . . . . .ea. 14.95



- 01820-R** 55/57, Vent register, located inside car above kick panels, painted black. 2 Req'd . . .ea. 20.20
- APK-147 - Attaches #01820-R . . . 6 pcs. - 2 sides** 1.55
- Note: Very early '55 models had a louvered design.**



- 01822-R** 55/57, Bracket, vent control cable, anchors cable to RH or LH inner fender panel, Includes plated clip & screw . 8.95
- 01822-A** 55/57, Clip for #01822-R .ea. 3.75



- 01861 KIT - AIR DUCT FLAPPER VALVE & ROD**
- 01861-K** 55/57, Kit contains 2 ea. #01862-R Flapper valves & 2 ea. #01863-R Flapper valve retaining rods . . . . .kit 69.95
- 01862-R** 55/57, Flapper valve, air duct RH or LH, these are located inside your under fender air ducts . . . . .ea. 25.50
- 01863-R** 55/57, Rod, flapper valve retaining, cad plated RH or LH, 2 Req'd . . . . .ea. 13.95



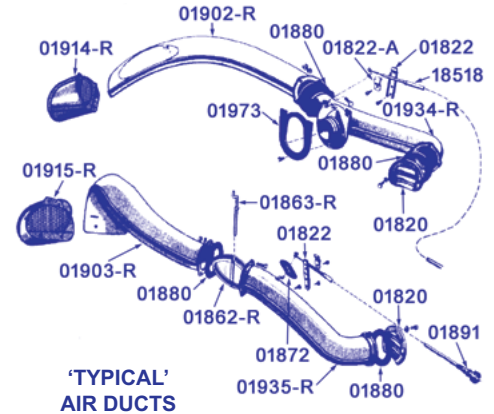
- 01872-R** 55/57, Gasket, RH vent air valve, 1 Req'd . . . . .ea. 1.00
- Note: Also included in #01890-RK.**
- 01880-R** 55/57, Gasket, air ducts to each other & rear air ducts to cowl. 4 Req'd . . . . .ea. 1.35
- Note: Also included in #01890-RK .**



- 01890 KIT - AIR DUCT GASKET**
- 01890-RK** 55/57, Includes 1 ea. - #01872 & #01973 & 4 ea. #01880 gaskets . . . . .kit 6.85



- 01891/2 VENT CABLE & HOUSING**
- 01891-R** 55/57, LH, With knob & rubber covered, As *Original*; Includes nut . . . . .ea. 44.95
- 01892-R** 55/57, RH, As above; use for RH vent on cars **without heater** . . . . .ea. 44.95
- Note: Also refer to #18518 for other cables.**



'TYPICAL' AIR DUCTS



**AIR DUCT INSTALLATION KIT**  
*Quality Fiberglass Reproduction!*

- INCLUDES:
- 1 - #01902-R, RH Inlet
  - 1 - #01903-R, LH Inlet
  - 1 - #01934-R, RH Outlet Duct
  - 1 - #01935-R, LH Outlet Duct
  - 1 - #01890-RK, Gasket Kit
  - 1 - #APK-246-B, Attaching Parts Kit
- 01901-K** 55/57 . . . . .kit 759.50
- Note: #01934 & 01935 include flapper valve & rod.**
- THE ABOVE KIT IS ALREADY DISCOUNTED, NO ADDITIONAL DISCOUNT MAY BE TAKEN.*

**LET US BE YOUR**  
**'CLASSIC' FORD PARTS SUPPLIER**  
**SERVICING ALL YOUR PARTS NEEDS FOR:**

/'55-'57 THUNDERBIRD /'48-'72 FORD TRUCK  
 /'58-'66 THUNDERBIRD /'60-'72 GALAXIE  
 /'49-'59 'BIG FORD' CAR /'62-'72 FAIRLANE  
 /'49-'56 MERCURY CAR /'68-'71 TORINO



- 01902-R** 55/57, RH, Air duct assy, front inlet; Fiberglass . . . .ea. 170.00
  - 01903-R** 55/57, LH, Air duct assy, front inlet; Fiberglass . . . .ea. 170.00
- Note: 01902-R & 01903-R also incl. in #01901-K air duct kit.**
- APK-246-A - Kit to attach all original type steel ducts**  
 . . . . .63 pcs. - 2 sides 8.95
- APK-246-B - Kit to attach all fiberglass air ducts**  
 . . . . .116 pcs. - 2 sides 15.50



- 01914** 55/57, RH, Scoop assy, front air inlet, metal reproduction, **includes screen** . . . . .ea. 79.95
- 01915** 55/57, LH, Scoop assy, front air inlet, metal reproduction, **includes screen** . . . . .ea. 79.95



- 01915-AR** 55/57, Screen only . . . . .ea. 3.90



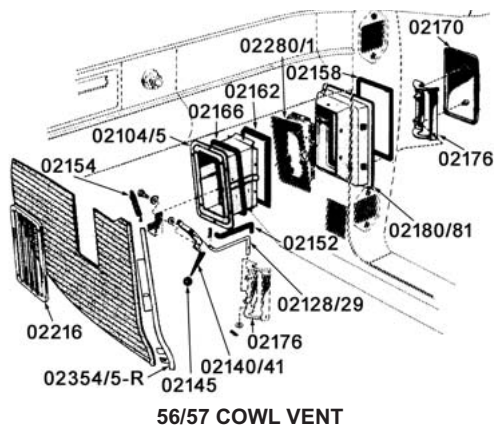
- 01934-R** 55/57, RH, Rear air duct assy, fiberglass; Assembled, incl. flapper valve & rod; **Ready to install!** . . . . .ea. 210.95



- 01935-R** 55/57, LH, Rear air duct assy, fiberglass; Assembled, incl. flapper valve & rod; **Ready to install!** . . . . .ea. 210.95
- APK-246-A - To attach all original type steel air ducts**  
 . . . . .63 pcs. - 2 sides 8.95
- APK-246-B - To attach all fiberglass air ducts**  
 . . . . .116 pcs. - 2 sides 15.50



- 01973-R** 55/57, Gasket, RH air duct to inner fender panel . . . .ea. 1.17
- Note: Also included in #01890-RK gasket set & #01901-K kit.**



**56/57 COWL VENT**



- 02104-R** 56/57, RH, Cowl vent outer duct, **steel, As Original** . . . . 127.50
- 02105-R** 56/57, LH, Side vent outer duct, **steel, As Original** . . . . 127.50



- 02128/9** **ROD - COWL VENT CONTROL**
- 02128-R** 56/57, RH . . . . .ea. 7.50
- 02129-R** 56/57, LH . . . . .ea. 7.50



- 02145-A** 56/Early 57, Chrome knob, cowl vent door, **without cross recess** . . . . .ea. 4.67



- 02154-R** 55/57, Spring, cowl vent control, 2 Req'd . . . . .ea. 6.95



- 02164/5** **CLIP - COWL VENT CONTROL ROD TO HINGE**
- 02164** 57, RH, Replacement type . . 1.50
- 02165** 57, LH, Replacement type . . . 1.50



- 02170** 56/57, Door, cowl vent, RH or LH, 2 Req'd . . . . .ea. Inq.



- 02158-R** 56/57, With molded type #02158-R . . . . .kit 25.95
- VENT DOOR SEAL KIT (6 pcs.)**
- INCLUDES:**
- 2 - #02158, Outer seal
  - 2 - #02162-BR, Inner seal
  - 2 - #02166-R, Cowl seal to fender

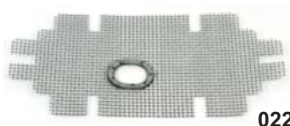
- INDIVIDUAL PARTS**
- 02158-R** 55/57, Molded seal, outer vent door. 'Super Soft' rubber so that your cowl vent door will completely close. **Our Concours Quality Reproduction**, 2 Req'd . .ea. 8.95
  - 02162-BR** 56/57, Seal, cowl vent door inner, 2 Req'd . . . . .ea. 2.20
  - 02166-R** 56/57, Seal, cowl vent duct to inner fender, 2 Req'd . . . . .ea. 2.95



- 02176-R** 56/57, Hinge assembly, cowl vent, RH or LH, Req'd . . .ea. 22.45



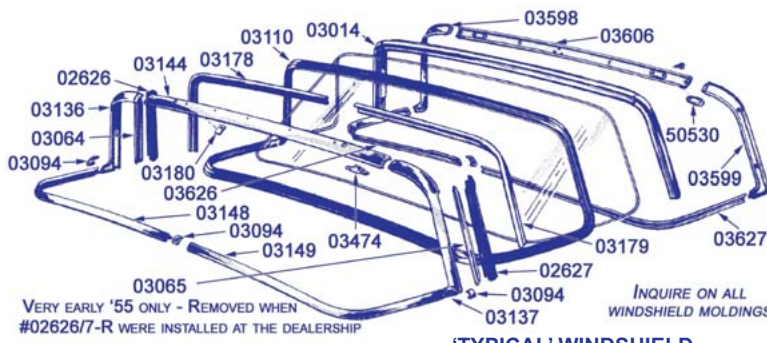
- 02216-R** 56/57, Chrome grille, side cowl vent, RH or LH . . . .ea. 32.50
- APK-7 - Attaches #02216-R . . . . .8 pcs. - 2 sides 1.55**



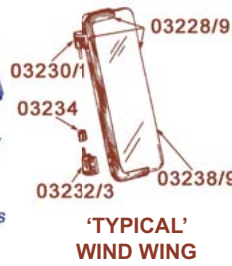
- 02280/1** **SCREEN - COWL VENT**
  - 02280-R** 56/57, RH . . . . .ea. 6.95
  - 02281-R** 56/57, LH . . . . .ea. 6.95
- Note: Above screens have correct oblong washer.**



- 02354/5** **RETAINER - KICK PANEL**
- 02354/5-K** 55/57, RH & LH . . . . .pr. 114.95



**'TYPICAL' WINDSHIELD**



**'TYPICAL' WIND WING**

**03234**

**03234** 56/57, Plastic bushing, upper or lower wind wing hinges. These push into #20314/5 door posts, 4 Req'd . . . . .ea. 2.10



**03238-TR**



**03654-R**

**03238/9 GLASS - WIND WING WITH "FoMoCo" LOGO**

**03238-CR** 56/57, Clear glass . . . . .ea. 19.95  
**03238-TR** 56/57, Tinted glass . . . . .ea. 19.95

**03654-R** 55/57, Joint cover, inside lower windshield center garnish molding . . . . .ea. Inq.



**03474**

**03474** 55/57, Windshield header dowel striker plate . . . . .ea. 27.95



**04104-AR**

**04104 SUN VISORS - PADDED**

INCLUDES #04105-CR CHROME ROD.

**04104-AR** 56, White . . . . .pr. 176.71  
**04104-BR-WHT** 57, White . . . . .pr. 176.71  
**04104-BR-RED** 57, Red . . . . .pr. 176.71  
**04104-BR-BLU** 57, Blue . . . . .pr. 176.71  
**04104-BR-GRN** 57, Green . . . . .pr. 176.71  
**04104-BR-BRZ** 57, Bronze . . . . .pr. 176.71



**04105-CR**

**04132-R**

**04105-CR** 56/57, Rod, chrome "S" shaped at end of visor, Included with visor . . . . .ea. 6.25

**04132-R** 56/57, Chrome steady rest clip, sun visor . . . . .ea. 23.95



**04144**

**04144/5 BRACKET & ARM ASSEMBLY - SUN VISOR**

**04144** 56, RH . . . . .ea. 50.60  
**04145** 56, LH . . . . .ea. 50.60  
**04144-BR** 57, RH . . . . .ea. 50.60  
**04145-BR** 57, LH . . . . .ea. 50.60  
**APK-11 - Attaches #04132 & #04144/5 . . . . .8 pcs. - 2 sides** 3.25



**02626-R**

**02626/27 WEATHERSTRIP - FRONT BODY PILLAR**

**02626-R** 55/57, RH, screws to vert. windshield post . . . . .ea. 20.95

**02627-R** 55/57, LH, screws to vert. windshield post . . . . .ea. 20.95

**APK-8 - Attaches #02626/7-R . . . . .8 pcs. - 2 sides** 1.55



**03094-AR**



**03094-BR**

**03094 JOINT COVER - OUTSIDE WINDSHIELD MOLDINGS**

**03094-AR** 55, 3 Req'd . . . . .ea. 5.95

*Note: Very early 55 models had a more narrow type; #03094-AR will replace these.*

**03094-BR** 56/57, 3 Req'd . . . . .ea. 5.95

**03100 WINDSHIELD**

**03100** 55/57, Tinted . . . . .ea. 429.95  
**03100-C** 55/57, Clear . . . . .Inq.



**03110**

**03110** 55/57, Weatherstrip, windshield, **Our Quality Reproduction** . . . . .ea. 62.95



**03178/9**



**03138-R**

**03138-R** 55/57, Retainer clip lower, screws to windshield frame to retain #03136/7 & #03148/9 moldings . . . . .ea. 4.95

**03178/9-R** 55/57, Retainers, RH & LH. These push into the top of the weatherstrip & catch the clips (#03180) attached to #03144 outside header molding . . . . .ea. 21.95



**03180**

**03180** 55/57, Windshield header outside mldg. retainer . . . . .ea. 4.25

**03228-TR**

**WIND WING ASSEMBLY**

*INCLUDES: Reproduction "FoMoCo" insignia glass with a chrome frame & attached upper hinge. A Concours Quality part with "Show" chrome rating!*

**03228-CR** 56/57, RH, With clear "FoMoCo" glass . . . . .ea. 84.95

**03229-CR** 56/57, LH, With clear "FoMoCo" glass . . . . .ea. 84.95

**03228-TR** 56/57, RH, With tinted "FoMoCo" glass . . . . .ea. 84.95

**03229-TR** 56/57, LH, With tinted "FoMoCo" glass . . . . .ea. 84.95

**03229-A**

**03229-A** 56/57, Retaining "Glass Tape" to install Wind Wing glass into frame. *Just coat with a little light oil & press into frame. Trim off excess. 18" piece, enough for one glass, 2 Req'd . . . . .ea.* 2.75



**03230-R**



**03232-R**

**03230/31 HINGE - UPPER WIND WING**

**03230-R** 56/57, RH, Incl. rivets . . . . .ea. 21.33

**03231-R** 56/57, LH, Incl. rivets . . . . .ea. 21.33

*Note: #03230/31 hinges are incl. in #03228/9 windwing assembly.*

**03232/3 HINGE - LOWER WIND WING**

**03232-R** 56/57, RH . . . . .ea. 21.33

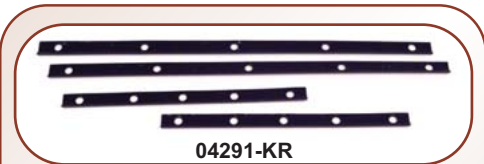
**03233-R** 56/57, LH . . . . .ea. 21.33

**APK-10 - Attaches #03232/3-R lower hinges . . . . .8 pcs. - 2 sides** 4.95



- 04290 PADDED DASH - REPRODUCTION**
- 04290-B 57, Blue . . . . .ea. 481.95
  - 04290-D 57, Black . . . . .ea. 481.95
  - 04290-E 57, White . . . . .ea. 481.95
  - 04290-F 57, Red . . . . .ea. 481.95
  - 04290-G 57, Green . . . . .ea. 481.95
  - 04290-H 57, Bronze . . . . .ea. 481.95

*Note: These dashes may be dyed any color, or may be painted by adding "Flex Agent" to automotive paint.*



**04291-KR**

- 04291-KR** 57, Kit, padded dash front, four metal strips that screw to the front of the padded dash to dash metal shell. They will prevent the front of the pad from shrinking away from under the lower mldgs. "A Must" . . . . .set of 4 13.95  
**APK-143 - Attaches #04291-KR to dash shell . . .kit.** 2.95



**04358-R**

**04359-R**

- 04358-R** 55/57, RH, Chrome plate, lower end of instrument panel . . . . .ea. 17.50
- 04359-R** 55/57, LH, Chrome plate, lower end of instrument panel . . . . .ea. 17.50  
**APK-73 - To install #04358/9-R . . . . .4 pcs.** .95

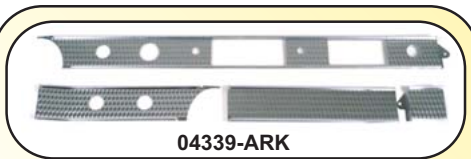


**04407-R**



**04460**

- 04407-R** 55/56, "Y8" emblem, on glove box . . . . .ea. 17.95
- 04460** 55/56, Thunderbird name plate, on dash . . . . .ea. 24.50  
*Note: Very early '55's had this emblem on the ash tray door. Not used on '56 models with padded dash.*



**04339-ARK**

**DASH ALUMINUM KITS**

- 04339-ARK** 55/56 . . . . .4 pc. kit 299.55
- 04339-BRK** 57 . . . . .4 pc. kit 320.68
- 04339-CRK** 57, (Includes #04438-R instrument cluster) . . .5 pc. kit 414.99  
**APK-102 - Kit to attach dash aluminum . . . . .4 pcs.** .70

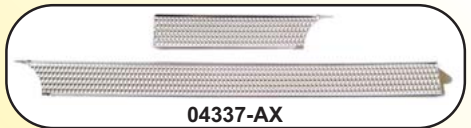
**INDIVIDUAL DASH ALUMINUM**

- 04338-A** 55/56, Center dash alum .ea. 104.95
- 04338-B** 57, Center dash alum . . .ea. 112.52
- 04392** 55/57, RH, dash end alum .ea. 52.95
- 04393-A** 55/56, LH, dash end alum .ea. 52.95
- 04393-B** 57, LH, dash end alum . .ea. 56.26
- 06036** 55/57, Glove box door aluminum . . . . .ea. 114.95



**04438-R**

- 04438-R** 57, Gauge cluster, alum . .ea. 123.77



**04337-AX**

- 04337-AX** 55/56, Center & LH dash alum, **No HOLES** for use with no in-dash radio or your own custom dash modifications! . . . Inq.



**06010-R**

**06064**

- 06010-R** 55/57, Glove box, a high quality repro. with all clips nuts installed! . . . . .ea. 17.95  
**APK-12 - Attaches #06010-R** 1.90
- 06064** 55/57, Striker, glove box door . . . . .ea. 10.50



**06066-RK**

**06117**

- 06066-RK** 55/57, Kit, glove box bumpers & grommets . . . . . 3.75

**06117/8 ARM - GLOVE BOX DOOR**

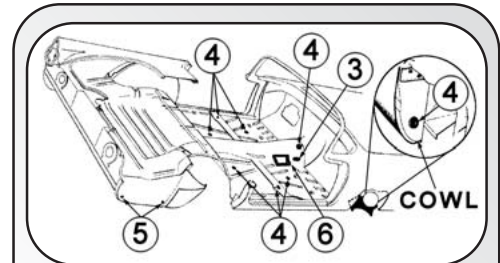
- 06117** 55/57, RH . . . . .ea. 7.50
- 06118** 55/57, LH . . . . .ea. 7.50



**06151-R**

**06190-R**

- 06151-R** 55/57, Plastic plate, glove box door latch guide . . . . .ea. 5.34
- 06190-R** 55/57, Chrome shield, glove box lock . . . . .ea. 9.95



**FLOOR & QUARTER RUBBER PLUG KIT**



**11136-AK**

- (4) 11136-AK** 55/56, Floor & cowl plug kit, 10 pcs . . . . .kit 19.95
- (4) 11136-BR** 57, Floor & cowl plug kit, 11 pcs . . . . .kit 17.95



**11137-K**

**12128-R**

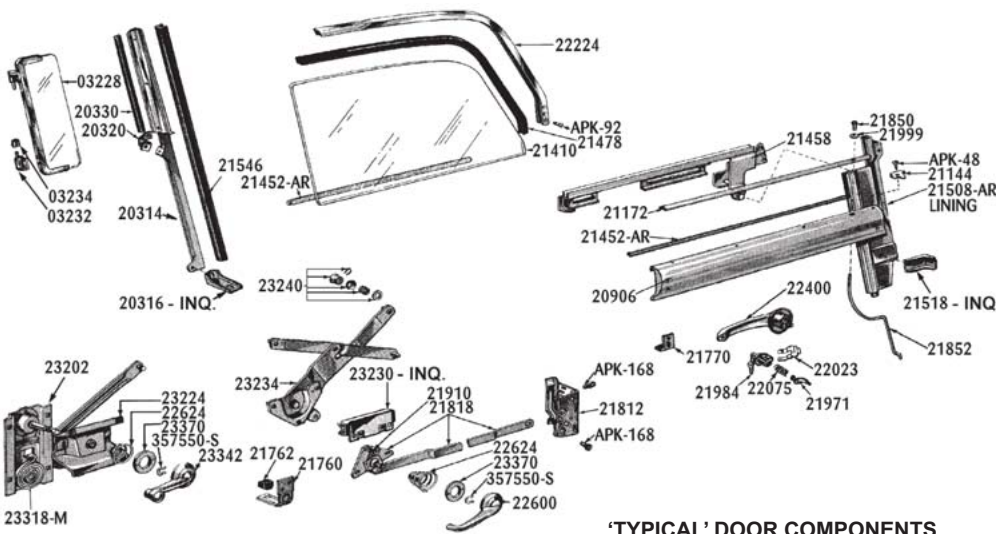
- (5) 11137-K** 55/57, Inside rear quarter panel plugs; 2 button plugs & 2 drain plugs . .kit 5.75
- (3) 12128-R** 55/57, Plug, FM access hole, oblong . . . . .ea. 11.95



**12170-R**

- (6) 12170-R** 55/57, Gasket, FM adj. plate . . . . .ea. 1.95





'TYPICAL' DOOR COMPONENTS



\*See Upholstery Section



20768-R

**20768/9 SHIELD - WIRE PROTECTOR**  
 20768-R RH, at door jam . . . . .ea. 32.95  
 20769-R LH, at door jam . . . . .ea. 32.95  
*Note: These are only used if the car is equipped with power seat or power windows.*  
**APK-172 - To attach**  
 . . . . .2 pcs - 2 sides .65



20906-R

**20906/7 GARNISH RAIL**  
 20906-R RH, metal . . . . .ea. 52.84  
 20907-R LH, metal . . . . .ea. 52.84  
**APK-162-A - To attach to door** . . . . .8 pcs. - 2 sides 2.25



21032-R

**20920/1 MOLDING - 'L' DOOR TRIM REAR**  
 20920-R RH . . . . .ea. 16.01  
 20921-R LH . . . . .ea. 14.91  
*Note: These are located at the end of #21166/67 aluminum panels.*

**21032-R** 57 Only, Retainer channel, lower door upholstery panel, RH or LH . . . . .ea. 15.70  
**APK-173 - Attaches #21032-R** . . . . .8 pcs. - 2 sides 1.25

**21134/5 SPACER WEDGE - FRONT DOOR MOLDING**  
 21134 55/57, RH . . . . .ea. 42.95  
 21135 55/57, LH . . . . .ea. 42.95  
**APK-165 - Attaches #21134/5** . . . . .18 pcs. - 2 sides 5.95



13208-S

Manufactured to exact standards, THESE ARE THE BEST STEP PLATES ON THE MARKET! Polished Aluminum! Easy to install and for a concours restoration, they are a must!

**13208-S** 55/57, LH & RH, with chrome attaching screws . .kit 74.95  
**13208-C** 55/57, RH . . . . .ea. 39.09  
**13209-C** 55/57, LH . . . . .ea. 39.09  
**APK-19 - Chrome screw set** . . 4.50



20315-BR

**20314/5 DOOR PILLAR - UPPER - CHROME**  
 20314-AR 55, RH . . . . .ea. 194.95  
 20314-BR 56/57, RH . . . . .ea. 194.95  
 20315-AR 55, LH . . . . .ea. 194.95  
 20315-BR 56/57, LH . . . . .ea. 194.95  
**APK-170 - Kit to attach door pillars to door brackets** . . . . .8 pcs. - 2 sides 1.80  
**APK-277 - Set screws for pillar #20314 & #20315** . . . . .set of 2 1.95



20320-R



20330

**20320/1 BRACKET - DR. PILLAR UPPER**  
 20320-R 55/57, RH . . . . .ea. 13.95  
 20321-R 55/57, LH . . . . .ea. 13.95

**20330** 55/57, Weatherstrip, door pillar, 2 Req'd . . . . .ea. 2.75



3M-8008

**WEATHERSTRIP ADHESIVE**

**3M-8008** Used on most rubber weatherstripping . . . . .5 oz. 11.95



20432-K

**DOOR WEATHERSTRIP KIT**

INCLUDES:

- 2 - #20330, Pillar weatherstrip
- 1 pr. - #20530/31, Door weatherstrip
- 2 - #20570, Dog-Leg weatherstrip
- 2 - #18912-D, Dog-Leg grommet

**20432-K** 55/57 . . . . .kit 79.95  
*Note: This kit is also included in our "Repaint" kit.*

'SUPER SOFT'



20530/31

**20530-1** 55/57, Door weatherstrip, RH & LH . . . . .pr. 64.95  
*Note: We supply only the best in door weatherstrips! These are "Super Soft" so that your doors will shut without slamming & so that the door opening is maintained once you get them adjusted properly.*  
*Note: Also see #20432 kit.*



20572-R

**20570** 55/57, Weatherstrip, door at "Dog-Leg", RH/LH . . . . .ea. 3.25

**20572/3 RETAINER - DOOR WEATHERSTRIP**  
 20572-R 57, RH . . . . .ea. 13.25  
 20573-R 57, LH . . . . .ea. 13.25  
**APK-166 - Attaches #20572/3-R** . . . . .4 pcs. - 2 sides 1.00



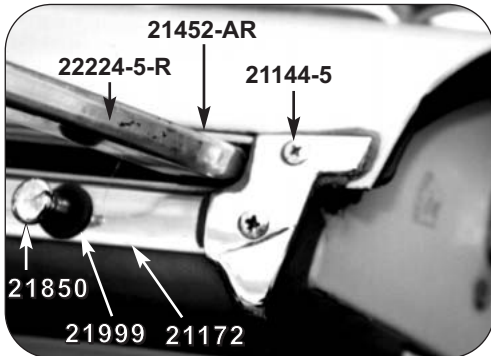
20910-K

**ALUMINUM DOOR TRIM & MLDG. KIT**

**KIT INCLUDES:**

- 2 ea. - 'L' Door Trim Molding (LH & RH)
- 2 ea. - Alum. Door Trim Panel (LH & RH)

20910-K	55/57, Used without power seats . . . . .kit	284.95
20910-KP	55/57, Used with power seat switch in panel . . . . .kit	289.95



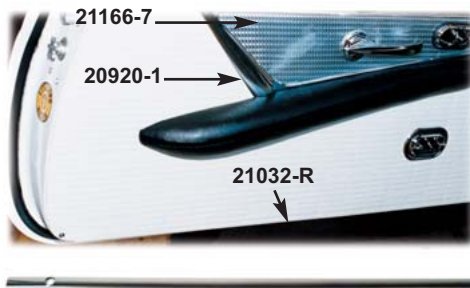
**21144/5 REAR PLATE - DOOR GARNISH FINISH**

21144	55/57, RH . . . . .ea.	16.01
21144-A	Early 55 only, RH, one hole type . . . . .ea.	26.78
21145	55/57, LH . . . . .ea.	16.01
21145-A	Early 55 only, LH, one hole type . . . . .ea.	26.78
	<i>APK-48-A - Attaches #21144/5 . . . . .4 pcs. - 2 sides</i>	<i>.75</i>



21166

21167-H		
21166/7	<b>PANEL - ALUMINUM DR. TRIM</b>	
21166	55/57, RH, "Superior Quality" panel . . . . .ea.	127.45
21167	55/57, LH, "Superior Quality" panel, used without power seat switch . . . . .ea.	127.45
21167-H	55/57, LH, "Superior Quality" panel, with hole For power seat switch . . .ea.	133.88



21172

21172	55/57, Stainless molding, top of door garnish rails, RH or LH . . . . .ea.	31.95
	<i>APK-163 - Attaches #21172 . . . . .18 pcs. - 2 sides</i>	<i>8.80</i>



21334-AR

21334-AR	55/57, Door panel washer . . .	2.47
21410-C	55/57, Door glass, clear, w/ "FoMoCo" bug . . . . .ea.	Inq.
21410-T	55/57, Door glass, tinted, w/ "FoMoCo" bug . . . . .ea.	Inq.



21500-AK

**WINDOW RUN & ANTI-RATTLE KIT**

**INCLUDES:**

- 1 - #21452-A, Anti-rattle kit
- 1 - #21508-AR, "Moleskin" rear run
- 2 - #21546, Front glass run
- 1 - #21546-K, Rivet kit

21500-AK	55/57 . . . . .kit	99.95
----------	--------------------	-------



21452-AR

21452-AR	55/57, Kit, door glass "cat whiskers" anti-rattler with clips attached to outside piece . . . . .4 pcs.	42.50
	<i>Note: Inside cat whisker may be attached with small screws or "pop rivets".</i>	
	<i>Note: Also included in #21500-K.</i>	



21452-TOOL

21452-TOOL	55/57, Rivet tool . . . . .ea.	9.95
	<i>Note: Non-returnable item!</i>	



21458-R

21458-R	55/57, RH, Channel assy; door glass . . . . .ea.	96.34
21459-R	55/57, LH, Channel assy; door glass . . . . .ea.	96.34
	<i>APK-92 - Door glass stainless moldings to #21458/9-R channels . . . . .6 pcs. - 2 sides</i>	<i>1.65</i>



21478-R

21478-R	55/56, Retainer rubber, upper door glass, located between glass & stainless molding, As Original	
	57, Optional, replacement . . .	3.95



21508-AR

21508-AR	55/57, "MoleSkin" lining for #21508 rear glass vertical channel, 30" piece. Does both sides . . . . .ea.	5.95
	<i>Note: Also included in #21500-K.</i>	



21546

21546-K

21546	<b>GLASS RUN - VERTICAL</b>	
21546	55/57, With stainless beading, front door glass, a quality reproduction, 2 Req'd . .ea.	25.50
21546-K	55/57, Rivet kit, attaches both #21546 runs . . . . .kit	3.50
	<i>Note: Also included in #21500-K.</i>	



21760-R



21762-R



21770-R

21760-R	55/57, Bracket, lower window stop, 2 Req'd . . .ea.	16.95
21762-R	55/57, Grommet, lower window stop, 2 Req'd . . .ea.	2.75
21770-R	55/57, Bracket, upper window stop, 4 Req'd . . .ea.	4.95





21810-K

**DOOR LATCH KIT**

Everything needed to change your 1955 door latches over to 1956/57 "safety" door latches.

**INCLUDES:**

- 1 - #21812/3, Door Latch
- 1 - #22008/9-56, Striker Plate
- 1 - #22014/5, Striker Plate Retainer
- 2 - #22058-R, Striker Adj. Shims
- 3 - #358996-S, Striker Plate Screws

21810-K	55, RH	kit	139.95
21811-K	55, LH	kit	139.95



21812-B

**21812/13 DOOR LATCH - NEW**

21812-B	56/57, RH	ea.	101.74
21813-B	56/57, LH	ea.	101.74

**21812/13 DOOR LATCH - REBUILT EXCHANGE**

21812-RB-1	55, RH	ea.	92.50
21813-RB-1	55, LH	ea.	92.50
<b>Refundable Core Charge ..</b>			<b>150.00</b>
<b>APK-168 - Attaches</b>			
<b>#21812/13 ..18 pcs. - 2 sides</b>			<b>4.45</b>



21819-R

21812-S

21812-S	55/57, Spring, door latch assembly, 2 Req'd	ea.	5.95
21818-R	55/57, RH, Door latch remote control	ea.	51.95
21819-R	55/57, LH, Door latch remote control	ea.	51.95



21852-R

21850-R

21999

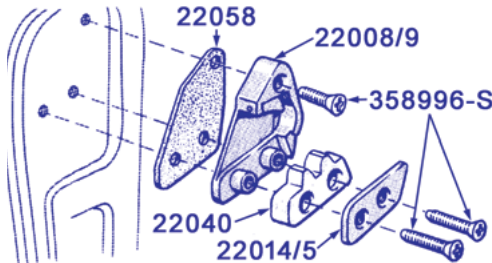
21910

21850-R	55/57, Chrome knob, dr. lock, RH or LH, 2 Req'd	ea.	6.95
21852-R	55/57, Rod, door lock button, 2 Req'd	ea.	11.39
21910	55/57, Spring, door handle remote control. 2 Req'd	ea.	5.95
21999	55/57, Rubber grommet, dr. lock pull knob, 2 Req'd	ea.	1.25

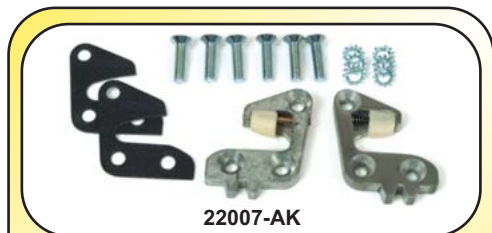


21971-R

**21971-R** 55/57, Lever, door lock cyl. Our re-engineered repro. Our part is made of steel, is longer, and has the correct size pilot rod! **Guaranteed to not break!** RH or LH . ea. 6.95  
**Note: Also included in #22050-K.**



57 STRIKER PLATE



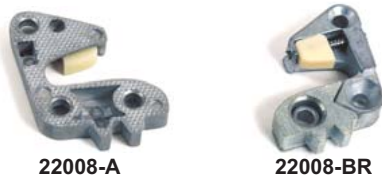
22007-AK

**STRIKER PLATE KIT**

**INCLUDES THE FOLLOWING:**

- 1 - #22008, RH Striker
- 1 - #22009, LH Striker
- 2 - #22058-R, Shims
- 6 - #358996-S - Screws

22007-AK	55	kit	49.95
22007-CK	56/57	kit	52.75



22008-A

22008-BR

**22008/9 STRIKER PLATE**

22008-A	55, RH	ea.	21.25
22008-56	56, RH	ea.	21.25
22008-BR	56/57, RH, 2 piece design, incl. #22040 insert	ea.	21.95
22009-A	55, RH	ea.	21.25
22009-56	56, LH	ea.	21.25
22009-BR	56/57, LH, 2 piece design, incl. #22040 insert	ea.	21.95
<b>358996-S - Screw, striker plate, 6 Req'd</b>			<b>1.45</b>
<b>Note: #22008/9-BR may be substituted for '56 one piece striker.</b>			



**IGNITION & DOOR LOCK KIT**

**INCLUDES:**

- 1 - #11582, Ignition cylinder
- 1 - #21984, RH Door lock
- 1 - #21985, LH Door lock
- 2 - #21971-R, Lever
- 2 - #22075, Retaining spring
- 1 pr. - #22023-RK, Lock cyl. retainer
- 1 pr. - Matched keys

22050-K	55/57	10 pcs.	78.50
---------	-------	---------	-------



22014-R

**22014/5 PLATE - STRIKER RETAINER**

22014-R	55/57, RH	ea.	16.50
22015-R	55/57, LH	ea.	16.50



22023-RK



22040

22023-RK	55/57, Retainer clips, door lock cyl, RH & LH	set of 2	9.95
22040	56/57, Striker plate insert		13.45



22051-K



22058-R



22075

22051-K	55/57, Key blank set, 1 ea. - Ignition & trunk	pr.	4.82
22058-R	55/57, Shim, door lock striker adjustment	ea.	1.95
22075	55/57, Spring, lock lever retaining, 2 Req'd	ea.	.75



22224/5-R

**22224/5 FRAME - DOOR GLASS - UPPER**

22224-R	55/57, RH, Stainless	ea.	259.95
22225-R	55/57, LH, Stainless	ea.	259.95
<b>APK-92 - Attaches</b>			
<b>#22224/5-R ..6 pcs. - 2 sides</b>			<b>1.65</b>





22400-AK

**OUTSIDE DOOR HANDLE KIT**

**INCLUDES:**

- 1 - #22400-1-RK, Outside dr. handles
- 2 - #22428, Large door handle pad
- 2 - #22448, Small door handle pad
- 2 - #22454-AR or BR, Button assembly
- 1 - #APK-110-A or B, Handle attach kit

22400-AK	55/56	.....kit	127.50
22400-BK	57	.....kit	134.50



22400-1-RK

22400-1-RK	55/57, Outside door handles, RH & LH (less buttons) . . . pr.	45.50
	APK-110-A - 55/56, Attaches #22400/1 to doors . . . 2 sides	1.75
	APK-110-B - 57, Attaches #22400/1 to doors . . . 2 sides	1.75



22427-K

**OUTSIDE DOOR HANDLE PAD KIT**

**INCLUDES:**

- 2 ea. - #22428, Large handle pad
- 2 ea. - #22448, Small handle pad

22427-K	55/57	.....kit	4.08
---------	-------	----------	------



22454-AR

22454-BR

22454	<b>BUTTON ASSEMBLY - OUTSIDE DOOR HANDLE</b>	
22454-AR	55/56	.....ea. 41.95
22454-BR	57	.....ea. 41.95

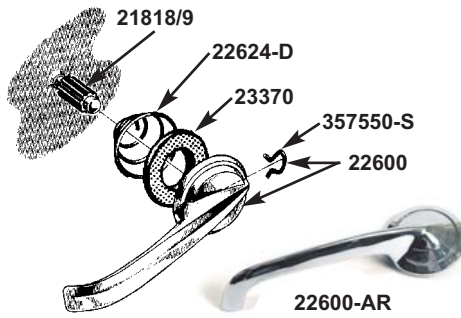


22462



22478

22462	55/57, Spring, outside door handle button . . . . .ea.	1.36
22478	55/57, O-Ring seal, outside door handle button, 2 Req'd . . . . .ea.	1.30



22600-AR

**22600 DOOR HANDLE - INSIDE**

22600-AR	55/56, Repro, 2 Req'd .ea.	27.95
22600-BR	57, Repro, 2 Req'd . . .ea.	27.95

*Note: Includes #357550-S clip.*



22601-T



22624-D

22601-T	55/57, Tool, door & window handle. A "Must" for removing handles! . . . . .ea.	10.95
22624-D	55/57, Spring, door or window handles . . . . .ea.	.95



22600-BK

**INSIDE DOOR/WINDOW HANDLE KIT**

**INCLUDES:**

- 2 - #22600-AR or BR, Inside door handle
- 2 - #23342-AR or BR, Window handle
- 4 - #23370, Door/Window handle plate
- 4 - #22624-D, Door/Window handle spring

22600-AK	55/56	.....kit	110.95
22600-BK	57	.....kit	119.95

**STAINLESS STEEL BUSHING!**



22810-6-7-REB

22810-B

22810-REC	<i>THE DOORS ON YOUR CLASSIC T-BIRD WILL NEVER FIT RIGHT WITH WORN OUT DOOR HINGE PINS! Our rebuilt hinges will cure the problem! We will "re-pin" your hinges so that they work "as new". Just ship us your old hinges.</i>	
22810-55-REB	55, 1 hole . . . . .ea.	89.95
22810-6-7-REB	56/57, 3 holes . . . . .ea.	89.95
	<b>Refundable Core Charge</b>	<b>125.00</b>
22810-B	55/57, Hinge repair kit, Contains: 1 pin & 2 bushings	19.95



23202-R



23234-A

**23202/3 WINDOW REGULATOR**

*Our repro. window regulators are the 1957 design & should make your windows work as they should.*

23202-R	55/57, RH, Manual window . . .	115.95
23203-R	55/57, LH, Manual window . . .	115.95

*Note: Due to a bad design by Ford, 55/56 Bird owners over the years have had a lot of problems with rolling their windows up & down! In 1957 they re-designed the regulator to work properly. Be sure your front (#21546) & rear (#21508-AR) window runs are in good shape.*

**23234/5 WINDOW SCISSORS**

23234-A	55/56, RH, Manual window . . .	136.50
23235-A	55/56, LH, Manual window . . .	136.50
23234-B	57, RH, Manual window . . . . .	136.50
23235-B	57, LH, Manual window . . . . .	136.50



23220-R



23240



23279-R

23220-R	55/57, Coverplate, door window access hole . . . . .ea.	18.89
23240	55/57, Roller, window regulator, 6 Req'd . . . . .ea.	4.95



23240-K

23240-K	55/57, Kit, Window regulator rollers . . . . .set of 6	26.95
23279-R	55/57, Coupling, power seat motor to drive . . . . .ea.	11.20



23318-M

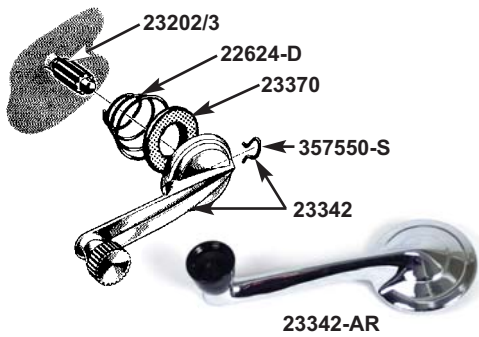


23318-P

**23318 SPRING - WINDOW REGULATOR**

23318-M	55/57, Manual window . . . . .ea.	8.95
23318-P	55/57, Power window . . . . .ea.	8.95





**23342/3 WINDOW CRANK HANDLE**  
**23342-AR** 55/56, Repr, 2 Req'd . . .ea. 24.95  
**23342-BR** 57, Repr, 2 Req'd . . . . .ea. 29.95  
*Note: Also incl. in #22600-AK & BK.*

**23370** 55/57, Plastic plate, door & window handle . . . . .ea. 1.20



**23395-R** 55/57, Gear kit, power window transmission, fits RH or LH . . . . .ea. 56.21

**23440-R** 55/57, Coupler, pwr. window motor to drive, 2 Req'd . . .ea. 12.33



**23504-R** 55/57, Lever, door check arm, RH or LH . . . . .ea. 10.95

**23505-R** 55/57, Pin, door check arm to body, 2 Req'd . . .ea. 5.50  
*Note: The original pins were 'peened' over at the bottom. #23505-R replacement pins have a "C" clip retainer instead.*



**ARM REST KIT**

*INCLUDES THE FOLLOWING:*

- 1 - #24140-R, RH Body
- 1 - #24141-R, LH Body
- 1 - #24142-RK, Foam
- 1 - #AR-Cardboard, Cardboard
- 1 - #APK-164, Attaching kit

**24140-K** 55/57 . . . . .kit 187.95

*Note: Kit does not include arm rest covers, see upholstery section.*

**INDIVIDUAL PARTS**

**24140-R** RH, Arm rest body . . . . .ea. 85.63

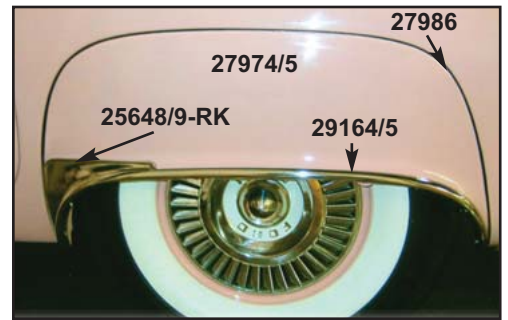
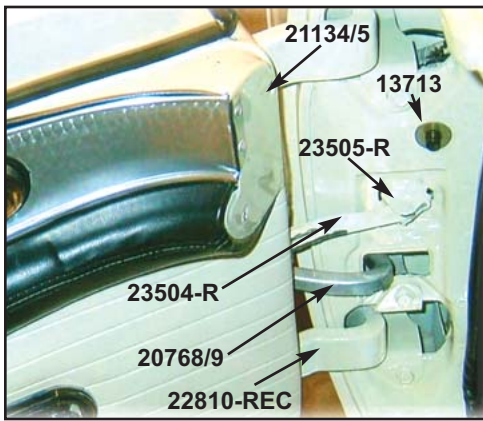
**24141-R** LH, Arm rest body . . . . .ea. 85.63

**24142-RK** Foam for 2 arm rests . . . .set 7.50

**AR-CARDBOARD**

Arm rest cardboards . . . . .pr. 6.95

**APK-164** - Atch. #24140/1-R to door panel . . . . .2 sides 2.95



**25648/9 STONE GUARD - FENDER SKIRT**  
**25648-9-RK** 55/57, RH & LH, with attaching parts . . . . .pr. 99.95  
*Note: Also included in #27976-K.*



**25650-R\*** 55/57, Mounting bracket, fender skirt stone guards, fits RH or LH, 2 Req'd . . .ea. 4.44  
*\*Note: Also included with #25648/9-RK, 25648-R & 25649-R.*



**25662** Medallion, 'Ford Crest' 55, Used on front grille panel, rear gas door, & on sides of hardtop (2), 4 Req'd. 56, Used on front fenders, 2 Req'd . . . . .ea. 20.20

**25666** 55/56, Chrome retainer for #25662 above . . . . .ea. 21.33  
**APK-52** - Attaches one #25666 retainer . . . . .2 pcs. .60

**23208-PWKS**

**POWER WINDOW KITS - 12 Volt Only!**  
 WE HAVE 2 KITS AVAILABLE FOR YOU!

If you already have **factory power windows** and just want to replace your old worn out parts with modern relays, motors and regulators, we have a kit for you! This kit just has new Relays, Motors with Regulators and **Steel Rollers**. (#23208-PWK)

If your T-Bird came with **manual windows** and want to install power windows, we have a kit that has everything you will need. Our kit includes new Relays, Motors with Regulators, Switches, Wires, Door Guides, Connectors and **Steel Rollers**. (#23208-PWKS)

**23208-PWK\*** 55/57, With Factory Power Windows . . . . .kit 749.95

**23208-PWKS\*** 55/57, With Manual Windows . . . . .kit 1149.95  
*\*Note: '55 - '57 T-bird 12 volt only! Does not include new door panels!*

*THE ABOVE KITS ARE ALREADY DISCOUNTED, NO ADDITIONAL DISCOUNT MAY BE TAKEN.*

*Thunderbird*

**25622**

**25622** 55/56, "Thunderbird" script, rear of qtr. panel, 2 Req'd .ea. 28.07  
**APK-51** - Kit, barrel nuts to attach one #25622 . . . .1 side 1.00

**4 STUDS - As ORIGINAL**

**16098**

**16098** 57, "Thunderbird" script, front fender, with 4 studs, As Original, 2 Req'd . . .ea. 24.95  
**Refer to #25622 for 55/56 scripts.**  
**APK-28** - Barrel nuts . .1 side 1.15  
**APK-29** - "Speed" nut kit, As Original style . . . . .1 side 1.25



**ORDER ONLINE**  
**24 HRS A DAY/7 DAYS A WEEK**  
**CONCOURSEPARTS.COM**



**FENDER SKIRTS INSTALLATION KIT**

**INCLUDES:**

- 1 ea. - #27974, RH Fender skirt
- 1 ea. - #27975, LH Fender skirt
- 1 ea. - #29164, RH Skirt molding
- 1 ea. - #29165, LH Skirt molding
- 1 ea. - #25648/9-RK, Stone guard kit
- 2 ea. - #27986, Fender skirt seal
- 18 ea. - #1939-AU, Skirt molding screw

27976-K 55/56 .....kit 629.95  
 27976-K57 57 .....kit 629.95

*Note: Also order #27980-RK skirt bracket if needed.*

**27974/5 FENDER SKIRTS**

27974-5-K 55/57, RH & LH skirts only, (less moldings & seals) ...pr. 353.38  
*Note: Also included in #27976-K.*



27980-RK 55/57, Fender skirt brackets with attaching screws ...kit 29.20  
**APK-55 - Attaches #27980-RK** .....8 pcs. - 2 sides 1.85

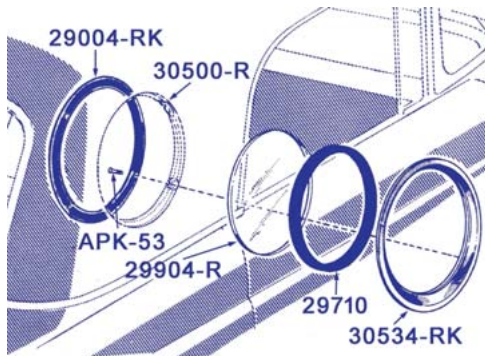


27981-K 55/57, Metal tabs, fender skirt retaining; Welds to quarter panel .....set of 4 2.50  
 27986 55/57, Seal, fender skirt to quarter panel .....ea. 8.45



**29164/5 MOLDING - FENDER SKIRT - LOWER**

29164 55/56, RH .....ea. 78.71  
 29164-B 57, RH .....ea. 78.71  
 29165 55/56, LH .....ea. 78.71  
 29165-B 57, LH .....ea. 78.71  
**APK-54 - Attaches #29164/5, 2 Req'd** .....9 pcs. - 1 side 1.59



**56/57 'PORT HOLE' PARTS**



30000-RKC

**1956/57 PORTHOLE INSTALLATION KIT**

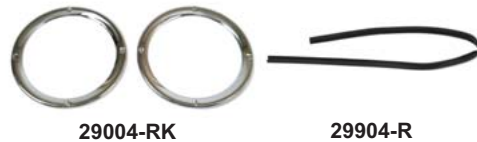
*Includes all necessary parts to install portholes in a hardtop without portholes..*

- 2 - #29004-RK, Inside porthole rings
- 2 - #30534-RK, Outside porthole rings
- 2 - #30500-RK, Porthole spacers
- 2 - #29710, Porthole glass
- 2 - #29904-R, Porthole seal
- 1 - #APK-53, Screw kit
- 1 - # 4 Bow headliner
- 1 Set - Template & Instructions

30000-RKC "FoMoCo" clear glass & off-white headliner .....kit 267.70

30000-RKT "FoMoCo" tinted glass & off-white headliner .....kit 267.70

*Note: Please inquire on alternative headliner colors!*



29004-RK 56/57, Inside port hole rings .....pr. 46.95  
**APK-53 - Attaches #29004-RK** .....8 pcs. 1.65

29710-CR 56/57, Glass, porthole, clear with "FoMoCo" script, 2 Req'd .....ea. 18.75

29710-TR 56/57, Glass, porthole, tinted, with "FoMoCo" script, 2 Req'd .....ea. 19.89

29904-R 56/57, Seal, porthole glass, 2 Req'd .....ea. 3.95

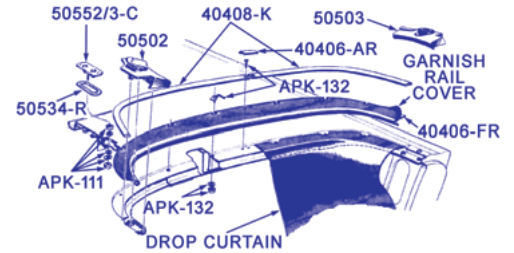


30500-RK 56/57, Porthole spacers, RH & LH .....pr. 120.11  
*Note: Also included in #30000-RK.*



30534-RK

30534-RK 56/57, Outside porthole rings, RH & LH .....pr. 76.50  
*Note: Also included in #30000-RK.*



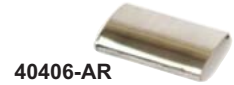
40405-K

**REAR DECK GARNISH RAIL MLDG. KIT**

**INCLUDES:**

- 1 - #40408-K, Garnish rail mldg. - LH & RH
- 1 - #40406-AR, Garnish molding joint clip
- 1 - #APK-132, Molding attaching kit

40405-K 55/57 .....kit 109.95



40406-AR

40406-AR 55/57, Clip, rear garnish molding, joint .....ea. 9.50

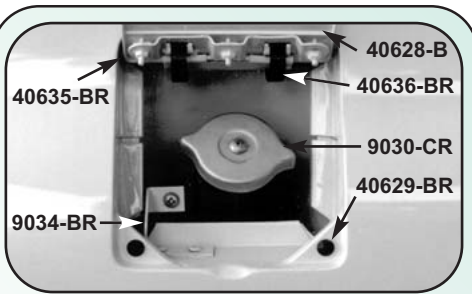


40406-FR

40406-FR 55/57, Rear deck garnish rail, fiberglass .....ea. 147.50

40408-K 55/57, Kit, rear deck garnish molding, RH & LH .....kit 99.95





**40628 GAS DOOR**  
 40628-R 55/56, Cast aluminum . . .ea. 65.50  
 40628-B 57, Die-cast . . . . .ea. Inq.  
*APK-139 - Kit without studs . . . . . 1.00*  
*APK-91 - Kit includes studs . . . . . 2.65*

**40629 RUBBER BUMPER - GAS DOOR TO BODY**  
 40629-AR 55/56, On trunk lid . . . . .pr. 3.95  
 40629-BR 57, On quarter panel . . . . .pr. 3.45

**40635 HINGE - GAS DOOR**  
 40635-AR 55/56, (Less springs) . . . . .ea. 46.33  
 40635-BR 57, (Less springs) . . . . .ea. 44.95  
*APK-115-A - Gas door to body, 55/56 . . . . .4 pcs. .65*  
*APK-115-B - Gas door to body, 57 . . . . .3 pcs. .65*

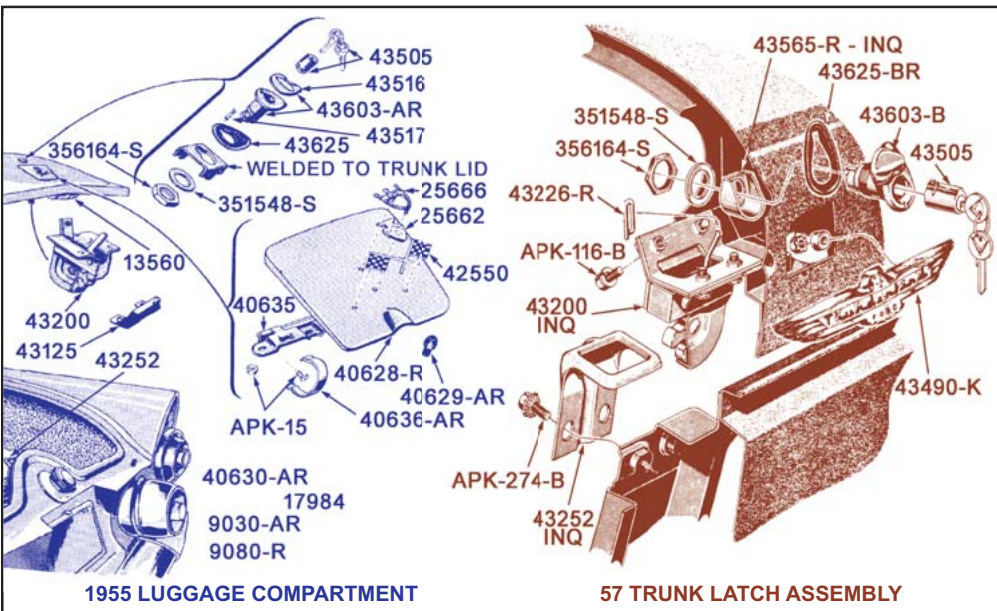
**40636 SPRING - GAS DOOR**  
 40636-AR 55/56, 2 Req'd . . . . .ea. 4.22  
 40636-BR 57, 2 Req'd . . . . .ea. 4.27

**9030 GAS CAP**  
*EXACT REPRODUCTION*  
 9030-BR 56/Early 57 . . . . .ea. 24.37  
 9030-CR Later 57 . . . . .ea. 24.37

**9034-BR** 57, Bracket, gas tank filler neck bracket to quarter panel . . . . .ea. 11.95



**40630 RUBBER BUMPER - TRUNK LID**  
 40630-AR 55/56, Mount on lower trunk panel . . . . .pr. 7.50  
 40630-BR 57, Mount on lower lip of trunk lid near weatherstrip . . . . .pr. 3.00  
*Note: Early 57 Birds did not have these.*



**42550-R** 55, Emblem, cross flags, used on front grille panel & rear gas door . . . . .ea. 13.50  
*APK-52 - Barrel nut, attaches one cross flag emblem .2 pcs. .60*

**42701-AR** 55/56, Spring, trunk hinge, 2 Req'd . . . . .ea. 17.95  
**42701-BR** 57, Spring, trunk hinge, 2 Req'd . . . . .ea. 16.95



**43125** 55/56, Plate, trunk latch access . . . . .ea. 10.50  
**43226-R** 57, Rod link, trunk latch . . . . .ea. 3.95  
*APK-273 - Trunk hinges to lid, 55/56 . . . . .12 pcs. 1.50*  
*APK-86 - Trunk hinges to lid, 57 . . . . .4 pcs. 1.90*  
*APK-116-A - Trunk latch assy. to lid, 55/56 . . . . .6 pcs. 1.55*  
*APK-116-B - Trunk latch assy. to lid, 57 . . . . .8 pcs. 2.00*



**43505** 55/57, Cylinder & keys, trunk lock . . . . .ea. 22.95



**'57 REAR DECK HANDLE & "THUNDERBIRD" PLASTIC KIT**  
*INCLUDES THE FOLLOWING:*  
 • 1 - #43500-R, Trunk handle  
 • 1 - #42530-R, "Thunderbird" plastic  
 • 1 - #APK-140, Attaching parts kit  
 43490-K 57 . . . . .kit 48.50

**INDIVIDUAL PARTS**  
 43500-R 57, Trunk handle . . . . .ea. 30.47  
 42530-R 57, Plastic, rear deck handle . . . . .ea. 15.47  
*APK-140 - Trunk handle to lid, 57 (less wedge washers) . . . . .5 pcs. 3.50*



**43516 COVER - TRUNK LOCK CYL.**  
 43516-A 55/56 . . . . .ea. 15.50  
 43516-B 57 . . . . .ea. 15.95  
*Note: Also included in #43603.*

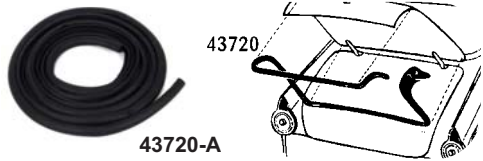


**43517 SPRING - TO RETAIN #43516 COVER**  
 43517-A 55/56 . . . . .ea. 3.57  
 43517-B 57 . . . . .ea. 2.89



**43603 SLEEVE - TRUNK LOCK CYL.**  
**43603-AR** 55/56, *Quality repro* . . . .ea. 39.95  
**43603-BR** 57, *Quality repro* . . . . .ea. 36.95

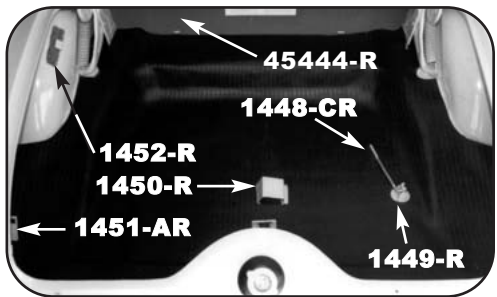
**43625 PAD - TRUNK LOCK CYLINDER**  
**43625-AR** 55/56 . . . . .ea. 3.65  
**43625-BR** 57 . . . . .ea. 3.65



**43720 WEATHERSTRIP - TRUNK LID**  
*Note: Glues to trunk lid*  
**43720-A** 55/56 . . . . .ea. 22.95  
**43720-B** 57 . . . . .ea. 22.95



**45400 TIRE COVER**  
**45400-A** 55/57 . . . . .ea. 39.95



**45455-R55** 55, Rubber trunk mat . . . .ea. Inq.  
**45455-R56** 56, Rubber trunk mat with hanging curtain, (Can be modified for use in a 1955 T-Bird) . . . . .ea. 314.95



**1448 BOLT - SPARE WHEEL MOUNTING**  
**1448-AR** 57, Earlier type, 6-3/8" long; Used when brackets are attached to trunk floor . . . . .ea. 21.50  
**1448-BR** 57, Later type, 5-1/2" long; Used when brackets are attached to wheel well . . . . .ea. 19.95  
**1448-CR** 55, Mounts inside bracket #1449-R . . . . .ea. 9.95  
*APK-99 - Spare wheel bolt kit* . . . . .6 pcs. 2.25



**1449-R** 55, Bracket, spare wheel mounting bolt; Welds to trunk floor and retains #1448-CR bolt . . . . .ea. 9.95



**1450-R** 55, Support, spare wheel; Welds to trunk floor . . . .ea. 7.95



**1451-R** 55/56, Bracket, jack base retainer . . . . .ea. 3.75  
**1451-BR** 57, Bracket, jack base retainer . . . . .ea. 3.75



**1452-R** 55/57, Clip, jack mast to inner wheel house . . . . .ea. 1.50



**45456 TRUNK MAT - 1955 & 1956**  
**45456-E** 55, Trunk mat; *simulated Burtex vinyl* with heavy felt backing! Easy to clean! . . 89.95  
**45456-RB** 56, Trunk mat set; *plaid simulated Burtex vinyl* with heavy felt backing! Easy to clean! Looks like original! Includes mat & hanging curtain . . . . .set 89.95  
*Note: Burtex type trunk mats were used on late 56's built from June 1956.*  
**45456-ARX** 56, Burtex trunk mat . . . . .set 240.00

**45457 TRUNK MAT - 1957**  
**45457-RB** 57, Trunk mat set; *plaid simulated Burtex vinyl* with heavy felt backing! Easy to clean! Looks like original & even has "Zig-Zag" stitching on the wheel house covers! Includes mat, hanging curtain & wheel house covers . . . . .set 89.95  
**45457-BRX** 57, Burtex trunk mat . . . . .set 240.00



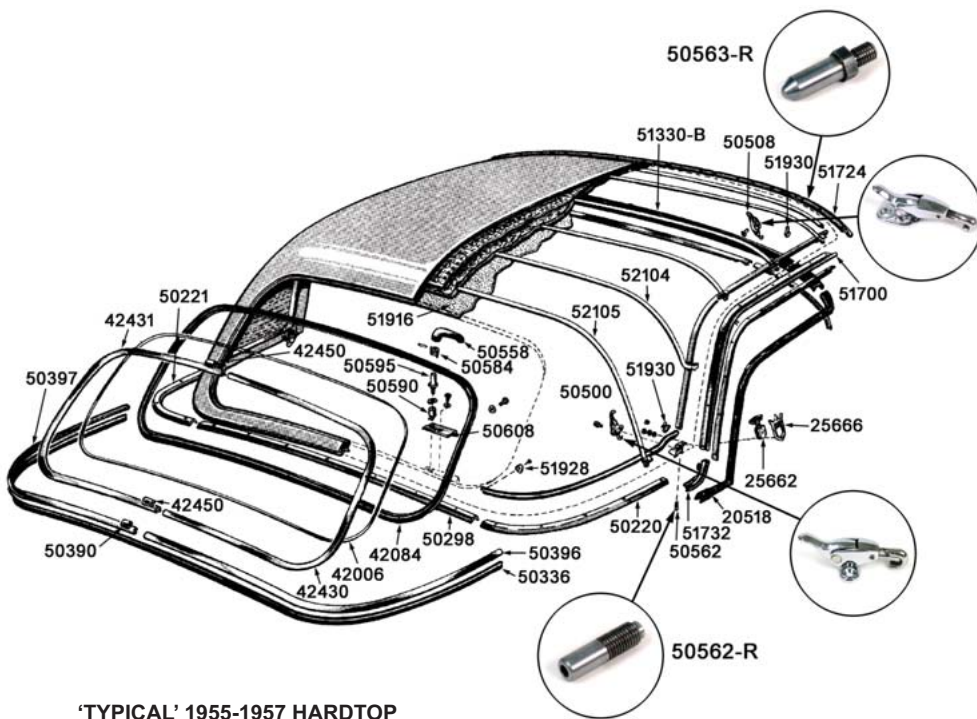
**45415 TRUNK SIDE CARDBOARDS - 'DIE CUT'**  
**45415-AR** 55/56, RH & LH . . . . .pr. 14.75  
*Note: 55 models only has a LH cardboard. However, we find that most Bird owners want a pair. For Concours D' Elegance use only the LH side board.*  
**45415-BR** 57, RH & LH, (Includes "Button" retainer) . . . . .pr. 14.95  
*Note: Only the LH board covers the quarter panel. The RH piece acts as only an extension of the floor.*  
*APK-275 - Kit to attach trunk side cardboards to floor & wheelhouse, 57 . . . . .2 sides 2.30*



**45444-R** 55, Center trunk divider board, die cut masonite board, ready to paint, *As Original* . . . . .ea. 11.73  
*APK-276 - Kit, Trunk divider board to body, 55 . . . . . 1.30*



**ORDER ONLINE**  
**24 HRS A DAY/7 DAYS A WEEK**  
**CONCOURSEPARTS.COM**



'TYPICAL' 1955-1957 HARDTOP

**HARDTOP MOLDINGS**  
*Our STAINLESS STEEL Hardtop moldings are made from high quality material & manufactured to precise standards to fit your '55/'57 Thunderbird!*

<b>51000-K</b>	55/57, Hardtop molding set . . .	618.86
<b>50390-R</b>	55/57, Joint cover hardtop rear . . . . .ea.	7.82
<b>50396</b>	55/57, RH, Hardtop - rear . . .	123.77
<b>50397</b>	55/57, LH, Hardtop - rear . . .	123.77
<b>51700</b>	Hardtop - over door, RH (replacement for very early 55) . . . . .ea.	101.26
<b>51701</b>	Hardtop over door, LH (replacement for very early 55) . . . . .ea.	101.26
<b>51724</b>	55/57, Hardtop - front header . . . . .ea.	123.77
<b>51732</b>	Hardtop - corner behind door, RH ( <i>not on very early 55</i> ) . . . . .ea.	45.00
<b>51733</b>	Hardtop - corner behind door, LH ( <i>not on very early 55</i> ) . . . . .ea.	45.00
<b>42006-TR</b>	55/57, Glass, rear window, tinted . . . . .ea.	309.95
<b>42006-CR</b>	55/57, Glass, rear window, clear . . . . .ea.	314.95
<b>42084</b>	55/57, Weatherstrip, back window glass . . . . .ea.	39.00



50557-AK

**HARDTOP LEVER KIT**

INCLUDES THE FOLLOWING:

- 2 - Rear deck latch lever - LH & RH
- 2 - Roll pins (*For levers*)
- 4 - Rear deck handle retracting springs
- 2 - Top to deck plate fasteners
- 2 - Rear clamp studs
- 2 - Rear top clamp plate - LH & RH
- 1 - Attaching parts kit (*For plate to top*)

<b>50557-AK</b>	55, With small prongs, dogleg type . . . . .kit	194.95
<b>50557-BK</b>	56, With 2 large prongs, dogleg type . . . . .kit	194.95
<b>50557-CK</b>	56, With 2 large prongs, straight type . . . . .kit	194.95
<b>50557-DK</b>	57, With 1 large prong, straight type . . . . .kit	194.95



50500-CK

**HARDTOP CLAMP KIT**

INCLUDES THE FOLLOWING:

- 2 - #50500-AR or BR, *Side clamps*
- 2 - #50508-BR or DR, *Front clamps*
- 1 - #APK-57, *Attaching part kit*

<b>50500-CK</b>	55/56 . . . . .kit	314.95
<b>50500-DK</b>	57 . . . . .kit	314.95



50508-BR

50508-DR

50508-JR

**50508 FRONT CLAMP - HARDTOP**

<b>50508-BR</b>	55/56, Hardtop, w/ finger pull handle, 2 Req'd . . . . .ea.	80.27
<b>50508-DR</b>	57, Hardtop, with "T" handle, 2 Req'd . . . . .ea.	80.27
<b>50508-JR</b>	"J" Hook, stainless, fits all front handles, 2 Req'd . . . . .ea.	17.36
	<b>APK-174 - Hard top front clamps to frame . . . . .2 sides</b>	<b>2.10</b>
	<b>APK-175 - Hard top side clamps to frame . . . . .2 sides</b>	<b>2.10</b>
	<b>APK-57 - Kit to attach all hard top clamps . . . . .2 sides</b>	<b>9.95</b>



51930

51927-K

<b>51927-K</b>	55/57, Headliner corner kit; Kit includes 2 wire-on end pieces & 4 corner pieces . . kit	40.50
----------------	--	-------

<b>51928</b>	55/57, End, headliner wire-on. 2 Req'd . . . . .ea.	2.95
--------------	---	------

<b>51930</b>	55/57, Corner, headliner wire-on. 4 Req'd . . . . .ea.	8.95
--------------	--	------

**52104 HEADLINER BOWS - HARDTOP**

<b>52104-AK</b>	55/57, 4 Bow set (4) . . . . .set	44.57
<b>52104-BK</b>	55/57, 5 Bow set (5) . . . . .set	52.37



52182

<b>52182</b>	55/57, Clip, hard top bow guide . . . . .ea.	2.95
--------------	--	------



42430-K

<b>42430</b>	<b>KIT - BACK GLASS MOLDING</b>	
<b>42430-K</b>	Kit contains: #42430/31 - RH & LH moldings & 2 ea. - #42450-R - joint cover . . . . .kit	342.62

<b>42450-R</b>	55/57, Joint cover, back glass molding, 2 Req'd . . .ea.	8.50
----------------	--	------



50270-RK

**1957 SIDE TOP MEDALLION KIT**

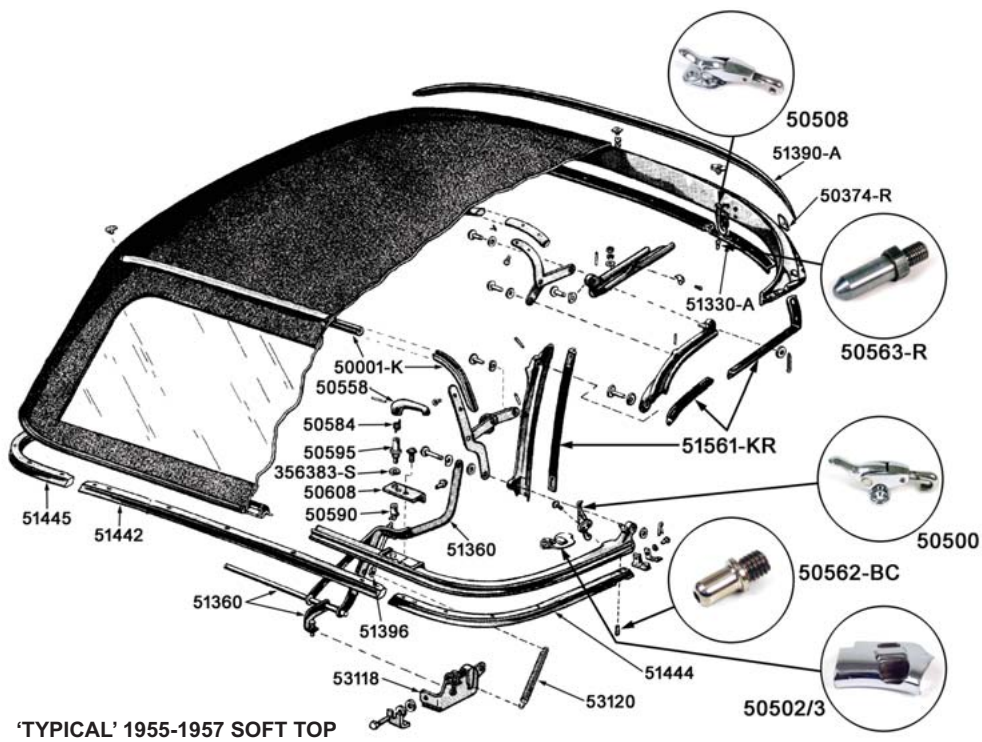
INCLUDES:

- 2 ea. - #50270-R, *Medallion*
- 2 ea. - #50292-R, *Chrome retainer*

<b>50270-RK</b>	57 . . . . .kit	79.50
-----------------	-----------------	-------

INDIVIDUAL PARTS

<b>50270-R</b>	57, With non-porthole top, Medallion. Located on side of top, 2 req'd . . . . .ea.	23.95
<b>50292-R</b>	57, Chrome retainer, side of non-porthole top, 2 Req'd . . . . .ea.	16.95



'TYPICAL' 1955-1957 SOFT TOP



- 50374-R** 55/57, RH, Retainer clip, for end of front convertible top header stainless molding .....ea. 5.50
- 50375-R** 55/57, LH, Retainer clip, for end of front convertible top header stainless molding .....ea. 5.50



- 50508 FRONT CLAMP - SOFT TOP**
- 50508-AR** 55/56, **Soft top**, with finger pull handle, 2 Req'd .....ea. 80.27
- 50508-CR** 57, **Soft top**, with "T" handle, 2 Req'd ..... 80.27
- 50508-JR** 55/57, "J" Hook, stainless, fits all front handles .....ea. 17.36
- APK-184 - Soft top frt. clamps to frame** ..... 8 pcs. - 2 sides 3.95
- APK-185 - Soft top side clamps to frame** ..... 2 sides 1.95
- APK-56 - Kit to attach all soft top clamps** ..... 20 pcs. 8.95



50557-AK

**SOFT TOP LEVER KIT**

INCLUDES THE FOLLOWING:

- 2 - Rear deck latch lever - LH & RH
- 2 - Roll pins (For levers)
- 4 - Rear deck handle retracting springs
- 2 - Top to deck plate fasteners
- 2 - Rear Clamp Studs
- 2 - Rear top clamp plate - LH & RH
- 1 - Attaching parts kit (For plate to top)

- 50557-AK** 55, With small prongs, dogleg type .....kit 194.95
- 50557-BK** 56, With 2 large prongs, dogleg type .....kit 194.95
- 50557-CK** 56, With 2 large prongs, straight type .....kit 194.95
- 50557-DK** 57, With 1 large prong, straight type .....kit 194.95



50300-ARK

**1955-1957 CONVERTIBLE TOP PINS**

- 50300-ARK** The (6) pins are to replace the "Peened" over pins in your top ...set of 6 34.95



50500-AK

**SOFT TOP CLAMP KIT**

INCLUDES THE FOLLOWING:

- 2 - #50500-AR or BR, Side clamps
- 2 - #50508-AR or CR, Front clamps
- 1 - #APK-56, Attaching parts kit

- 50500-AK** 55/56 .....kit 315.00
- 50500-BK** 57 .....kit 312.00



50301-AK

**CONVERTIBLE TOP PIN KIT**

INCLUDES:

- All chrome pins (Except "Peened" pins)
- Chrome acorn nuts
- Spring type washers
- Cotter pins
- Roll pins
- Steel sleeves

- 50301-AK** 55/Early 56 .....kit 69.95
  - 50301-BK** Late 56/57, On tops with side bow "stiffener" .....kit 79.95
- Note: Used in conjunction with optional #50300-ARK.**



51276-R 53115-R

- 51276-R** 55/57, Plates, soft top pads to frame .....pr. 5.50
- 53038-B** 55/57, Foam, soft top, header .....ea. 7.95
- 53115-R** 55/57, Shouldered bolt, soft top foot adjust .....ea. 4.95



50500-AR 50500-BR 50500-JR

- 50500 SIDE CLAMP ASSEMBLY - HARDTOP OR SOFT TOP**
- 50500-AR** 55/56, With "finger pull" type handle, 2 Req'd .....ea. 80.27
- 50500-BR** 57, With "T" type handle, 2 Req'd .....ea. 80.27
- 50500-JR** 55/57, "J" Hook, side clamp, stainless .....ea. 17.96
- Note: Also incl. in #50500-AR & BR.**
- APK-56 - Kit to install all soft top clamps** ..... 20 pcs. 8.95
- APK-57 - Kit to install all hard top clamps** ..... 24 pcs. 9.95
- 50530-R** 55/57, Clamp "cup", front clamp, 2 Req'd .....ea. 15.95
- 52360-S - Clamp cup hold down screw** .....ea. .35
- 50534-R** 55/57, Gasket, rear deck plates .....pr. 1.80



50502-RSSK

50503-LSSK

**SIDE RECEPTACLE - SOFT TOP/HARDTOP**

NOW BEING REPRODUCED IN **STAINLESS STEEL!**

Replace your old worn out ones with this high quality reproduction! Our kit even includes a new top pin (#50562) to replace yours, which is probably worn!

- 50502-RSSK 55/57, RH, For soft top . . . 69.95
- 50502-RHSK 55/57, RH, For hardtop . . . 69.95
- 50503-LSSK 55/57, LH, For soft top . . . 69.95
- 50503-LHSK 55/57, LH, For hardtop . . . 69.95

**APK-134 - Side receptacle attaching kit . . . . .12 pcs. 2.85**



50530-R

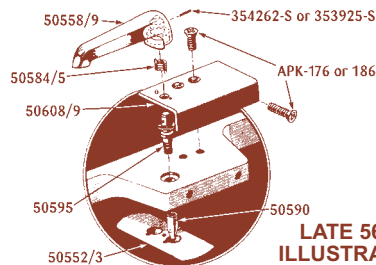


50534-R

- 50530-R 55/57, Clamp "cup", front clamp, 2 Req'd . . . . .ea. 15.95

**52360-S - Clamp cup hold down screw . . . . .ea. .35**

- 50534-R 55/57, Gasket, rear deck plates . . . . .pr. 1.80



**LATE 56/57 ILLUSTRATION**



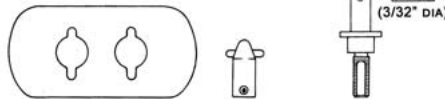
50558-AR



50558-BR

**50558/9 LEVER - REAR DECK LATCH HARDTOP OR SOFT TOP**

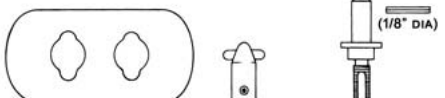
- 50558-AR 55/56, RH, "Dogleg" type .ea. 40.95
- 50559-AR 55/56, LH, "Dogleg" type .ea. 40.95
- 50558-BR Late 56/57, RH, "Straight" type . . . . .ea. 40.95
- 50559-BR Late 56/57, LH, "Straight" type . . . . .ea. 40.95
- 354262-S - Roll pin, 3/32" dia. use with "Dogleg" type handles, 2 Req'd . . . . .ea. .60**
- 353925-S - Roll pin, 1/8" dia. use with "Straight" type handles, 2 Req'd . . . . .ea. .60**



50552/3-A

50590-AR

50595-AR



50552/3-B

50590-BR

50595-BR



50552/3-C

50590-CR

50595-BR



50561-K

**TOP PIN KIT**

- 50561-K 55/57, Kit consists of; 2 ea. - #50562-R - Side locating pins & 2 ea. - 50563-R - Front locating pins for your **HARD TOP** . . . . .kit 43.95
- 50561-KS 55/57, Kit consists of; 2 ea. - #50562-BC - Side locating pins & 2 ea. - 50563-R - Front locating pins for your **SOFT TOP** . . . . .kit 43.95



50562-R

50562-BC

50563-R

**INDIVIDUAL PARTS**

- 50562-R Pin, top-side locating, fits hard top. 2 Req'd . . . . .ea. 11.95
- 50562-BC Pin, top-side locating, fits soft top. 2 Req'd . . . . .ea. 11.95
- 50563-R Pin, top-front locating. 2 Req'd . . . . .ea. 10.95



50584-AR



50584-BR

**50584/5 SPRING - REAR DECK HANDLE RETRACTING**

- 50584-AR 55/56, RH, Use with "dogleg" handles . . . . .ea. 4.25
- 50585-AR 55/56, LH, Use with "dogleg" handles . . . . .ea. 4.25
- 50584-BR 56/57, RH, Use with "straight" handles . . . . .ea. 4.25
- 50585-BR 56/57, LH, Use with "straight" handles . . . . .ea. 4.25



50552/3-A

50552/3-B

50552/3-C

**CHROME RECEPTACLE - REAR DECK**

- 1955**
- 50552-A 55, RH, 2 small "prongs" . . . 47.50
- 50553-A 55, LH, 2 small "prongs" . . . . 47.50
- 1956**
- 50552-B 56, RH, 2 larger "prongs" . . . 47.50
- 50553-B 56, LH, 2 larger "prongs" . . . 47.50
- Note: Very late '56's may have '57 single "large" prong type.**
- 1957**
- 50552-C 57, RH, 1 large "prong" . . . . . 47.50
- 50553-C 57, LH, 1 large "prong" . . . . . 47.50
- APK-111-B - To attach #50552/3 to rear deck . . . . .10 pcs. - 2 sides 4.95**



50590-AR

50590-BR

50590-CR

**50590 FASTENER - TOP TO REAR DECK PLATE**

- 50590-AR 55, Used with #50552/3-A, two small prongs . . . . .ea. 14.50
- 50590-BR 56, Used with #50552/3-B, two larger prongs . . . . .ea. 14.50
- 50590-CR 57, Used with #50552/3-C, one large prong . . . . .ea. 14.50
- Note: Includes set screw.**



50595-R

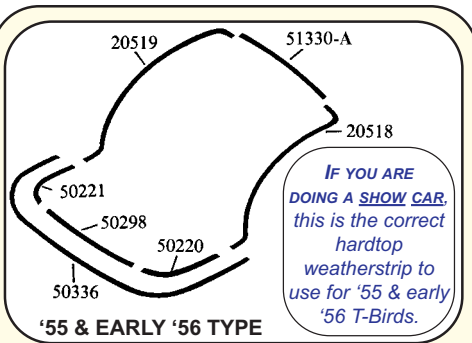
- 50595-R 55/57, Rear clamp stud, Our stud has both 3/32" & 1/8" holes for either pin .ea. 11.95
- 354262-S - Roll pin, 3/32" dia. use with "Dogleg" type handles, 2 Req'd . . . . .ea. .60**
- 353925-S - Roll pin, 1/8" dia. use with "Straight" type handles, 2 Req'd . . . . .ea. .60**



50608-R

**50608/9 CHROME PLATE - REAR TOP CLAMP - HARDTOP/SOFT TOP**

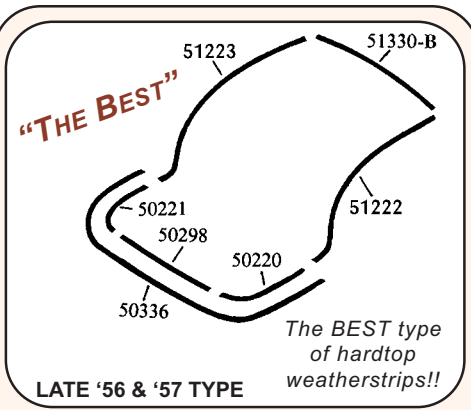
- 50608-R 55/57, RH . . . . .ea. 24.50
- 50609-R 55/57, LH . . . . .ea. 24.50
- APK-176 - Kit, Hard top rear clamp plates to top . . . 2 sides 3.85**
- APK-186 - Kit, Soft top rear clamp plates to top . . . 2 sides 3.25**



**'55 & EARLY '56 TYPE HARDTOP WEATHERSTRIPS**

The '55 & early '56 weatherstrips over the door glass are entirely cloth covered, and they are "Dog-legged" both onto the windshield header & onto the rear deck.

- 51500-AK Kit, complete set,**  
**7 weatherstrips . . . . .kit 394.95**  
**Note: The very early '55 hardtops had a hard rubber type weatherstrip that was glued into stainless steel troughs. This later type may be used by removing the troughs & drilling some holes.**  
**APK-64-A - W/strip Screw kit 8.95**  
**APK-65 - Hardtop Screw Kit, Stainless Moldings to Top .kit 3.95**
- 51330-A** Frt. header, 43-1/2" long .ea. 93.95  
**20518** Over RH window, **cloth covered** . . . . .ea. 102.95  
**20519** Over LH window, **cloth covered** . . . . .ea. 102.95  
**50220** RH, curved on deck . . . . .ea. 44.95  
**50221** LH, curved on deck . . . . .ea. 44.95  
**50298** Center of deck . . . . .ea. 44.95  
**50336** Fits into stainless molding around bottom of hardtop .ea. 15.95



**LATE '56 & '57 TYPE HARDTOP WEATHERSTRIPS**

The late '56 & '57 weatherstrips over the door glass have no cloth covering & are "Dog-legged" only on the rear deck.

- 51501-BK Kit, complete set,**  
**7 weatherstrips . . . . .kit 394.95**  
**APK-64-A - W/strip Screw kit 8.95**  
**APK-65 - Hardtop Screw Kit, Stainless Moldings to top . . . 3.95**
- 51330-B** Front header, 54" long . . .ea. 93.95  
**51222** Over RH window . . . . .ea. 103.96  
**51223** Over LH window . . . . .ea. 103.96  
**50220** RH, curved on deck . . . . .ea. 44.95  
**50221** LH, curved on deck . . . . .ea. 44.95  
**50298** Center of deck . . . . .ea. 44.95  
**50336** Fits into stainless molding around bottom of hardtop .ea. 15.95

**For '55 & early '56 T-Birds, if you are just restoring your car for NON-SHOW PURPOSES, these are the better weatherstrips to use!**



**'55/'57 EXCELLENT REPLACEMENT TOP AT A GREAT PRICE!**

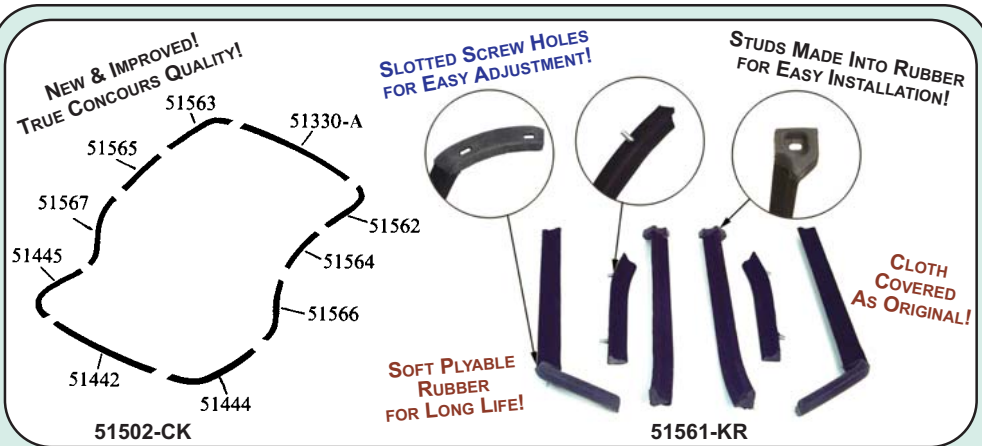
A unique accessory available today is a replacement soft top. The quality of the final product is proof of the professional hand-crafted workmanship.

**FEATURES**

- All metal frame (Powder painted black or lasting durability)
- Comes with original style clamps & handles
- Replacement soft top for 1955 - 1957
- Zip down rear window like original
- Available in white or black vinyl (Optional canvas on special order)
- Configured like original soft top

- \*51000-year-V-color VINYL TOP; Black or White . . . . .ea. \$2,495.00**  
**\*51000-year-VS-color VINYL TOP; Black or White with swing arm listed below . . . . .ea. \$2,995.00**  
**\*51000-year-C-color CANVAS TOP; Black, Tan or Dark Blue . \$2,795.00**  
**\*51000-year-CS-color CANVAS TOP; Black, Tan or Dark Blue with swing arm listed below . . . . .ea. \$3,250.00**  
**\*Note: Please supply year of car and color of top wanted in part number.**  
**ACTUAL SHIPPING COSTS APPLY TO THE ABOVE TOPS.**  
**CANVAS MADE OF STAYFAST® MATERIAL**  
**IS THE BEST AVAILABLE!**

**THE ABOVE KITS ARE ALREADY DISCOUNTED, NO ADDITIONAL DISCOUNT MAY BE TAKEN.**



**SOFT TOP WEATHERSTRIPS**

Concours Parts has been making the best hardtop weatherstrips for 25 years. Now we have decided to make our own soft top weatherstrips as well. Manufactured to the same high quality standards as the hardtop weatherstrips. THE QUALITY OF THESE WEATHERSTRIPS IS FAR AND ABOVE THAT OF ANY OF OUR COMPETITORS!

**We can now offer you the very best weatherstrips for your hardtop & your soft top!**

- 51502-CK Kit, Complete Set,**  
**10 weatherstrips . . . . .kit 394.95**  
**APK-66 - Screw Kit, W/strips to top of frame . . . . .kit 16.95**

- 51330-A** Frt. header, 43-1/2" long .ea. 93.95  
**51562\*** RH, Side rail, front  
**51563\*** LH, Side rail, front  
**51564\*** RH, Side rail, center  
**51565\*** LH, Side rail, center  
**51566\*** RH, Side rail, rear  
**51567\*** LH, Side rail, rear  
**51442** Rear, center of deck . . . . .ea. 48.95  
**51444** RH, Rear, curved on deck .ea. 48.95  
**51445** LH, Rear, curved on deck .ea. 48.95
- 51561-KR\* Set of 6 \$207.72**



**SWING ARM & BRACKET ASSEMBLY**

Includes all of the parts necessary to install a swing arm on a car that doesn't have one!

- 1 - #51360-R, Swing arm bar
  - 1 - #53118/9, Top to floor bracket assy.
  - 2 - #53120, Spring - Arm to mntg bracket
  - 1 - #APK-187, Attaching kit
  - 1 - #APK-188, Attaching kit
  - 2 - \*#354171-RP, Bolt, attach arm to top
- \*Only in kits for use w/ replacement top.**

- 51360-AK** 55/57, With factory top . . .kit 475.00  
**51360-CK** 55/57, With our replacement top . . . . .kit 510.00  
**Note: Plus Actual Shipping Costs!**



**51360-R** 55/57, Swing arm bar, soft top, does not include mounting bracket "feet" . . . . .ea. 359.95  
**Note: Plus Actual Shipping Costs!**



**51374-R** 55/57, Sleeve, soft top frame at swing arm, 2 Req'd . . . . .ea. 5.95

**51396-R** 55/57, Eye bolt, swing arm, 4 Req'd . . . . .ea. 2.95

**354171-RP** 55/57, Bolt, attach arm to replacement top . . . . .ea. 20.95

**51390-A** 56/57, Soft top header mldg, stainless; **works on '55** .1 pc. 235.57  
**Note: Only fits original tops, does not fit our replacement convertible top!**  
**APK-181 - Attaches #**  
**51390-A . . . . .5 pcs. 11.95**



**53118/9 BRACKET ASSY. - SOFT TOP SWING ARM TO FLOOR**

**53118-AR** 55/56, RH, Early type . . . . .ea. 79.95  
**53119-AR** 55/56, LH, Early type . . . . .ea. 79.95  
**Note: Used w/ #53120-A 7" spring.**

**53118-BR** Late 56/57, RH, Late type . . . 79.95  
**53119-BR** Late 56/57, LH, Late type . . . 79.95  
**Note: Used w/ #53120-B 4-3/4" spring.**

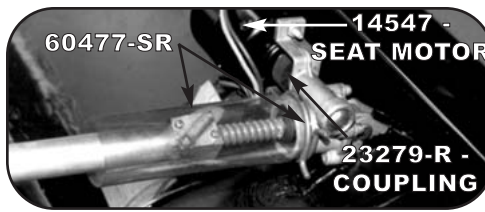
**APK-187 - Kit, Swing arm bracket halves to each other . . . . .14 pcs. - 2 sides 3.95**  
**APK-188 - Kit, Swing arm brackets to floor . . . . .2 sides 1.30**



**53120 SPRING - SWING ARM TO MOUNTING BRACKET**

**53120-A** 55/56, Early type, 7" long, 2 Req'd . . . . .ea. 11.50

**53120-B** Late 56/57, Late type, 4-3/4" long, 2 Req'd . . . . .ea. 11.50



**60477 TUBE KIT - POWER SEAT WORM GEAR COVER**

**60477-SR** 55/57, Includes; Plastic tube, cardboard spacer and clamp . . . . .kit 13.99  
**APK-97 - Kit, power seat drive clevis pins & clips . . . . .8 pcs. - 2 motors 3.50**  
**APK-161 - Kit, power seat drive brackets to floor .8 pcs. 1.65**



**61062-R** 55/57, Seat stop plate with screws . . . . .pr. 9.75



**POWER SEAT RACK**



**61755** 55/57, Adjusting knob, manual seat . . . . .ea. 16.99

**61828-R** 55/57, Spring, power seat assist, 2 Req'd . . . . .ea. 6.75



**62190-R** 55/57, Cable & housing, manual seat release; This cable joins the 2 seat tracks together . . . . .ea. 10.87



**62198-R** 55/57, Bezel, manual seat adjustment lever, stainless . . . 8.95





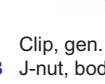











**ORDER ONLINE**  
**24 HRS A DAY/7 DAYS A WEEK**  
**CONCOURSEPARTS.COM**







**'55 - '57 STANDARD PARTS**

- 87211-S**  **87213-S** 
- 87211-S** Connector, brass, brake line . . . 2.95  
**87213-S** Connector, brass, fuel line . . . 3.49
- 87907-S**  **87924-S** 
- 87907-S** Fitting, lube 1/4" straight . . ea. 2.25  
**87924-S** Fitting, lube 1/4" 90 degree . . 2.50
- 87945-S**  **87972-S** 
- 87945-S** 55/57, Adapter fitting, brake booster line . . . . .ea. 3.95  
**87972-S** Fitting, fuel filter & fuel pump . . 4.25
- 88413-S**  **89447-S** 
- 88413-S** Manifold stud, short . . . . .ea. 3.95  
**89447-S** F/M shifter button set screw . . 4.50
- 351112-S**  **351385-S** 
- 351112-S** Fitting, dist. vacuum line . . ea. 1.50  
**351385-S** Washer, 3/8" . . . . .ea. .35
- 351467-S**  **351548-S** 
- 351467-S** Washer, rear brake, spring type . . . . .ea. .95  
**351548-S** Washer, trunk lock cylinder . . 2.45
- 352222-SR**  **352358-S** 
- 352222-SR** T-Bolt, soft top weatherstrip, 12 Req'd . . . . .ea. 1.50  
**352284-S** Small plug, rubber, hole is 1-1/4" . . . . .ea. 1.50
- 352285-S**  **352358-S** 
- 352285-S** Large plug, rubber, hole is 1-1/2" . . . . .ea. 1.50  
**352358-S** Clip, clevis pin, pwr. seat & spare tire bolt . . . . .ea. .75
- 352999-S**  **353055-S** 
- 352999-S** Wire clip, engine compartment . . . . .ea. 2.75  
**353051-S** Plug, differential filler . . . . .ea. 3.50  
**353055-S** Plug, gas tank . . . . .ea. 3.95  
**353409-S** Stud, RH manifold . . . . .ea. 2.95

- 353547-S**  **353577-S** 
- 353547-S** Clip, temp. wire to head, plain . . . . .ea. 1.50  
**353577-S** Barrel nut, to retain #16098 & #25622 scripts . . . . .ea. .50
- 353624-S**  **353706-S** 
- 353624-S** 55, Screw, tail lamp lens . . ea. .99  
**353706-S** Brass fitting, power brake booster . . . . .ea. 9.95
- 354132-S**  **354171-S** 
- 354132-S** Roll pin, soft top, steel, 1/8" . . .80  
**354171-S** Pin, chrome, soft top . . . . .ea. 7.95
- 354262-S**  **354284-S** 
- 354262-S** Roll pin, soft top, steel, 3/32" . .60  
**354284-S** 55, Clip, main wiring at LH scoop . . . . .ea. 2.35
- 354304-S**  **354362-S** 
- 354304-S** Soft top screw . . . . .ea. .75  
**354362-S** Firewall wiring clip . . . . .ea. 1.95
- 354690-S**  **354713-S** 
- 354690-S** 55, Screw, back-up light lens . .1.60  
**354713-S** 57, Grom, evap. housing . . . . .ea. 3.50
- 354714-S**  **354721-S** 
- 354714-S** Grom, evap. housing . . . . .ea. 3.50  
**354721-S** Center bolt, rear spring . . . . .ea. 4.50
- 354746-S**  **354926-S** 
- 354746-S** 55/56, Screw, park lamp lens . .75  
**354926-S** 56, Screw, tail lamp lens . . ea. 1.30
- 354973-S**  **356080-S** 
- 354973-S** 57, Screw, park lamp lens . ea. .99  
**356080-S** 57, Clip, exhaust deflector . ea. 2.50
- 354973-S**  **356080-S** 
- 354973-S** 56, Screw, back up lens . . ea. 1.35  
**356080-S** Speed nut, rear drum to stud . 1.45
- 356094-S**  **356164-S** 
- 356094-S** Nut, windshield wiper transmission, chrome . . . . .ea. 5.00  
**356164-S** Nut, trunk lock cylinder . . . . .ea. 3.95
- 356214-S**  **356383-S** 
- 356214-S** Washer, flat, soft top . . . . .ea. 1.00  
**356383-S** Washer, spring type . . . . .ea. 1.25

- 356628-S**  **B7A-5002-B** 
- 356628-S** Clip, gen. wire at fan shroud . . 2.50  
**B7A-5002-B** J-nut, body to frame . . . . .ea. 4.95
- 357001-S**  **357227-S** 
- 357001-S** Washer, formed, body bolt, 55/56 . . . . .ea. 1.25  
**357227-S** 57, Washer, flat, body bolt . . . .90
- 357331-RS**  **357412-S** 
- 357331-RS** Large floor grommet, 1.87" . . 2.25  
**357412-S** Nut with retainer, 1/4"-20 . . . .45
- 357466-S**  **357811-S** 
- 357466-S** Clip, brake line at frame . . . ea. 3.25  
**357811-S** Pin, chrome, soft top . . . . .ea. 4.40
- 357550-S**  **358032-S** 
- 357550-S** Fitting, brass, fuel pump . . . ea. 3.50  
**358032-S** Rubber bumper, heater box def. flapper door . . . . .ea. 2.75
- 357550-S**  **358575-S** 
- 357550-S** Fitting, 90 degree, manual steering bushing . . . . .ea. 1.31  
**358575-S** Retainer clip, door panel . . . . .ea. .50
- 358996-S**  **359279-S** 
- 358996-S** 56/57, Screw, "Phillips head" type, door striker plate . . . . .ea. 1.45  
**359279-S** Fitting, radiator to cooling lines . . . . .ea. 4.95
- 370322-S**  **371773-S** 
- 370322-S** 57, O-ring, gas filler neck to tank . . . . .ea. 2.25  
**371773-S** Bolt, carb. to air cleaner . . . . 3.20
- 380680-S**  **700045-AR** 
- 380680-S** Floor plug, 1/2" x 1" . . . . .ea. 1.95  
**700045-AR** Adjusting screw, rear door glass run . . . . .ea. 5.95
- 384345-S**  **700045-AR** 
- 384345-S** Grommet, battery hold down . . . . .set of 2 1.30  
**700045-AR** Grommet, battery hold down . . . . .set of 3 1.75






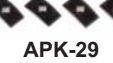
## '55 - '57 EXTERIOR KITS

		
<b>APK-6</b>	<b>APK-8</b>	<b>APK-10</b>
		
<b>APK-13</b>	<b>APK-14</b>	<b>APK-15</b>

**APK-6** Nose panel emblem or V-8 emblem nuts, 2 pcs . . . . .50  
**APK-8** #02626 & #02627 or #03136 & #03137 screw kit, 8 pcs . . . . .1.55  
**APK-10** Lower wind wing hinge screw kit, 8 pcs . . . . .4.95  
**APK-13** Headlight retaining ring screw kit, 6 pcs . . . . .1.50  
**APK-14** Headlight bucket clip & screw kit, 24 pcs . . . . .5.95  
**APK-15** Headlight bezel screws, 2 pcs . . . . .5.95

		
<b>APK-16</b>	<b>APK-17</b>	<b>APK-20</b>
		
<b>APK-21</b>	<b>APK-22</b>	<b>APK-23</b>

**APK-16** 55/56, Parklight lens screw kit, 6 pcs . . . . .4.50  
**APK-17** 57, Parklight lens screw kit, 4 pcs . . . . .3.75  
**APK-20** 55, Tail light lens screw kit, 6 pcs . . . . .4.50  
**APK-21** 56, Tail light lens screw kit, 6 pcs . . . . .5.95  
**APK-22** 57, Tail light lens screw kit, 8 pcs . . . . .7.50  
**APK-23** 55/56, License plate light lens screw kit, 4 pcs . . . . .90







		
<b>APK-24</b>	<b>APK-25</b>	<b>APK-26</b>
		
<b>APK-27</b>	<b>APK-28</b>	<b>APK-29</b>

**APK-24** 57, License plate light lens screw kit, 4 pcs . . . . .1.05  
**APK-25** 55, Back-up light lens screw kit, 6 pcs . . . . .6.95  
**APK-26** 56, Back-up light lenses to bodies, (4 pcs-2 sides) . . . . .4.95  
**APK-27** 55, Back-up light block off plate screw kit, 6 pcs . . . . .90  
**APK-28** 57, Thunderbird script barrel nut kit, 5 pcs . . . . .1.15  
**APK-29** 57, Thunderbird script nut kit, original style, 5 pcs . . . . .1.25







		
<b>APK-30</b>	<b>APK-31-A</b>	<b>APK-31-B</b>
		
<b>APK-33</b>	<b>APK-34</b>	<b>APK-38</b>

**APK-30** Front fender hashmark nut kit, 6 pcs . . . . .1.00  
**APK-31-A** Hood grill clip & spin nut kit, 8 pcs . . . . .6.95







<b>APK-31-B</b>	Hood grill clip, spin nut and stud kit, 12 pcs . . . . .9.95
<b>APK-33</b>	55, Mirror screw kit, 3 pcs . . . . .65
<b>APK-34</b>	56/57, Mirror screw kit, 2 pcs . . . . .65
<b>APK-38</b>	55/56, Front bumper bracket kit, 16 pcs . . . . .5.95

		
<b>APK-39</b>	<b>APK-40</b>	<b>APK-44</b>
		
<b>APK-45</b>	<b>APK-46</b>	<b>APK-47</b>

**APK-39** 57, Front bumper bracket kit, 64 pcs . . . . .12.95  
**APK-40** 57, Bumper tip bolt kit, 32 pcs . . . . .12.95  
**APK-44** 55, Rear bumper bracket bolt kit, 16 pcs . . . . .5.95  
**APK-45** 56, Rear bumper bracket bolt kit, 56 pcs . . . . .13.95  
**APK-46** 57, Rear bumper bracket bolt kit, 36 pcs . . . . .11.95  
**APK-47** 57, Rear bumper halves bolt kit, 48 pcs . . . . .10.95

		
<b>APK-51</b>	<b>APK-52</b>	<b>APK-54</b>
		
<b>APK-55</b>	<b>APK-61</b>	<b>APK-76</b>










**APK-51** 55/56, T-bird script barrel nut kit, 4 pcs . . . . .1.00  
**APK-52** 55/56, Fender medallion barrel nut kit, 2 pcs . . . . .60  
**APK-54** Fenderskirt lower molding screw kit, 9 pcs . . . . .1.59  
**APK-55** Fenderskirt bracket, screws, 8 pcs . . . . .1.85  
**APK-61** 55/56, Kit to attach #17779 to fenders & #8310 defl, 42 pcs . . . . .7.95  
**APK-76** 56, Rear bumper center section bolt kit (bolts that hold the two center bumper pieces together), 18 pcs . . . . .4.95

		
<b>APK-91</b>	<b>APK-100</b>	<b>APK-101</b>
		
<b>APK-110-A</b>	<b>APK-110-B</b>	<b>APK-111-B</b>

**APK-91** Gas door stud & nut kit, 6 pcs . . . . .2.65  
**APK-100** Windshield washer jet nut & washer kit, 4 pcs . . . . .1.06  
**APK-101** 57, Gas neck bracket (#9034-BR) to body screw kit . . . . .95  
**APK-110-A** 55/56, Outside door handle screw & washer kit, 8 pcs . . . . .1.75  
**APK-110-B** 57, Outside door handle screw & washer kit, 8 pcs . . . . .1.75  
**APK-111-B** Rear clamp receptacle stud, nut & washer kit, 10 pcs . . . . .4.95

		
<b>APK-112</b>	<b>APK-113</b>	<b>APK-114</b>
		
<b>APK-115-A</b>	<b>APK-115-B</b>	<b>APK-129</b>

**APK-112** Side clamp receptacle bolt & washer kit, 12 pcs . . . . .1.90  
**APK-113** Cowl vent door studs, washer & nut kit, 12 pcs . . . . .1.75  
**APK-114** 57, Gas neck retaining nut, screw & washer kit, 3 pcs . . . . .1.70  
**APK-115-A** Gas door hinge to body screw & washer kit, 4 pcs . . . . .65  
**APK-115-B** Gas door hinge to body screw kit, 3 pcs . . . . .65  
**APK-129** V-8 emblems to fenders (4 pcs-2 sides) . . . . .90

		
<b>APK-131</b>	<b>APK-132</b>	<b>APK-135</b>
		
<b>APK-136</b>	<b>APK-137</b>	<b>APK-138</b>
		
<b>APK-140</b>	<b>APK-142</b>	<b>APK-272</b>

**APK-131** Windshield vertical molding kit, 12 pcs . . . . .1.95  
**APK-132** Back deck panel garnish moldings (#40408/9) to body, 18 pcs . . . . .8.05  
**APK-135** 57, front parking lamp bodies to bumper (12 pcs-2 sides) . . . . .1.80  
**APK-136** 55/56, rear lamp bodies to rear quarters (6 pcs-2 sides) . . . . .1.30  
**APK-137** 57, 1/4 panel extensions to rear quarters (8 pcs-2 sides) . . . . .2.90  
**APK-138** 56, back-up housings to rear quarters (12 pcs-2 sides) . . . . .1.90  
**APK-140** 57, trunk handle to deck lid, w/out wedge washers, 5 pcs . . . . .3.50  
**APK-142** 56, continental kit hinge brackets & latch ass'y to body, 24 pcs . . . . .6.95  
**APK-272** Bumper guard centers to guards, front or rear (12 pcs-2 sides) . . . . .3.00

## '55 - '57 INTERIOR KITS

		
<b>APK-7</b>	<b>APK-9</b>	<b>APK-11</b>
		
<b>APK-12</b>	<b>APK-18</b>	<b>APK-19</b>

**APK-7** Kit, Interior vent screws, 8 pcs . . . . .1.55  
**APK-9** Complete inside windshield molding screw kit, excluding mirror & visor mounting, 23 pcs . . . . .3.70  
**APK-11** Visor bracket & clip screw kit, 8 pcs . . . . .3.25  
**APK-12** Glove box screw kit, 6 pcs . . . . .1.90  
**APK-18** Step plate screw kit, cadmium screws, 16 pcs . . . . .2.45  
**APK-19** Step plate screw kit, chrome screws, 16 pcs . . . . .4.50

## '55 - '57 INTERIOR KITS



<b>APK-35</b>	Inside mirror base screw kit, 3 pcs	1.80
<b>APK-69</b>	Seat backboard screw & washer kit, 48 pcs	7.95
<b>APK-70</b>	1/4 panel cardboard screw & washer kit, 20 pcs	3.95
<b>APK-73</b>	Dash "L" chrome (#04358-9) kit, 4 pcs	.95
<b>APK-74</b>	55/56, drop curtain stud kit, 6 pcs	5.95
<b>APK-75</b>	57, drop curtain stud kit, 2 pcs	11.45



<b>APK-122</b>	Steering column collar (#3A673) screw kit, 4 pcs	2.00
<b>APK-143</b>	57, Padded dash retainer straps to dash, 12 pcs	2.95
<b>APK-147</b>	Air deflector scoops (#01820R) to body (6 pcs-2 sides)	1.55
<b>APK-148</b>	Rectangular side vent spacer ducts, . . . fenders to aprons (36 pcs-2 sides)	5.95
<b>APK-149</b>	Brk pedal to pedal arm, 3 pcs	.90
<b>APK-150</b>	Brake pedal bracket to dash, firewall & cowl (5 pcs)	1.95



<b>APK-125-A</b>	55/56, Grille Kit; Grille to body & lower mldg. (#8156), lower mldg. to front valance (#17779), front valance to deflector panel (#8310), front fenders and rear deflector panels (#8104/5), and deflector panel access plate (#8311R) to deflector panel, 103 pcs	17.80
<b>APK-125-B</b>	57, Grille Kit; Grille to body and front chrome valance (#17202), chrome valance to deflector panel (#8310), deflector panel to rear deflector panel (#8104/5), chrome valance to ends (#17198/9), ends to fenders, deflector access plate (#8311-R) to deflector panel, 101 pcs	17.80
<b>APK-126</b>	55/56, Clips & attaching parts for #8419-A mldg, 24 pcs	6.40
<b>APK-127</b>	57, Clips & attaching parts for #8419-B mldg, 24 pcs	8.95
<b>APK-128</b>	Kit, #8242-C "C" mldg. Screws & clips, 10 pcs	3.50



<b>APK-79</b>	57, Inst. panel eyebrow stainless screw kit, 7 pcs	1.60
<b>APK-82</b>	Plug buttons for floor of power seat cars, 2 pcs	1.30
<b>APK-94</b>	Dimmer switch plate to floor screw kit, 4 pcs	.70
<b>APK-95</b>	Steering column half plate to firewall screw kit, 9 pcs	3.25
<b>APK-96</b>	Hood release latch end nut kit, 8 pcs	1.75
<b>APK-97</b>	Power seat clevis pin & clip kit, 8 pcs	3.50



<b>APK-151</b>	Dash brackets to door pillars (18 pcs-2 sides)	3.25
<b>APK-152</b>	Cowl braces to cowl & firewall (22 pcs-2 sides)	2.95
<b>APK-153</b>	Hood release cable bracket to dash, 4 pcs	2.25
<b>APK-154</b>	Hood release cable to dash bracket, 2 pcs	.95
<b>APK-155</b>	Hood release cable bracket to firewall & cable, 6 pcs	1.40
<b>APK-156</b>	Emergency brake cable bracket to firewall, 2 pcs	.55

## '55 - '57 UNDERCARRIAGE



<b>APK-1</b>	Castle nuts & cotter pins for tie rods & ends, 8 pcs	5.95
<b>APK-2</b>	56, Exhaust deflector kit (18 pcs - 2 sides)	7.50
<b>APK-3</b>	57, Exhaust deflector kit (6 pcs - 1 side)	9.95
<b>APK-87</b>	55/56, Gas tank gauge to gas tank, 6 pcs	1.95
<b>APK-88</b>	Kit to attach #5486 (12 pcs - 2 sides)	3.50
<b>APK-121</b>	Lower splash shields (#16102/3-BR) to inner fender panels (18 pcs - 2 sides)	5.50



<b>APK-102</b>	Dash aluminum screw & washer kit, 4 pcs	.70
<b>APK-103</b>	Glove box hinge to dash screw & washer kit, 6 pcs	.70
<b>APK-104</b>	Glove box striker screw & washer kit, 4 pcs	.55
<b>APK-105</b>	Glove box door guide screw & washer kit, 8 pcs	1.00
<b>APK-106</b>	Glove box hinge to door screw & washer kit, 6 pcs	.90
<b>APK-107</b>	Glove box lock screw kit, 2 pcs	.85



<b>APK-157</b>	Emergency brake ass'y to firewall, 4 pcs	.60
<b>APK-158</b>	Accelerator pedal to floor & bracket to firewall, 4 pcs	.95
<b>APK-159</b>	Transmission governor cover to floor, 4 pcs	1.25
<b>APK-160</b>	Dimmer switch to cover, 4 pcs	1.06
<b>APK-161</b>	Power seat bracket to floor, 8 pcs	1.65

## '55 - '57 GRILL KITS



<b>APK-108</b>	Glove box latch plastic screw & clip kit, 4 pcs	.90
<b>APK-109</b>	Ash tray slide & ash receptacle screw kit, 8 pcs	1.25
<b>APK-119</b>	Radio support strap nut kit, 4 pcs	.95



<b>APK-5-A</b>	55/56, Bolt kit to attach #8156 to lower grill moulding, 16 pcs	5.90
<b>APK-5-B</b>	55/56, Bolt kit to attach #8156 to lower gravel deflector #17779, 16 pcs	5.90
<b>APK-80</b>	Grille corner moldings (#8242/3) to grille, 6 pcs	1.50

<b>APK-124</b>	55, Rear exhaust hangers (#5261-AR) to bumper guards (12 pcs - 2 sides)	1.95
<b>APK-243</b>	Apron shields (#16050) to inner fender panels (8 pcs - 2 sides)	3.25
<b>APK-244</b>	Weatherstrip & seal staples, 50 pcs	3.60

**'55 - '57 UNDERCARRIAGE**



**APK-245** Fender support braces, fenders to aprons (12 pcs - 2 sides) . . . 5.00  
**APK-246-A** Steel air ducts to scoops & aprons (63 pcs - 2 sides) . . . 8.95  
**APK-246-B** Fiberglass air ducts to scoops & aprons (116 pcs - 2 sides) . . . 15.50  
**APK-247** Door post splash shields (#16102/3-A) to front fenders, aprons, upper seals & air duct studs (30 pcs - 2 sides) . . . 4.95  
**APK-248** Upper ball joints to upper A arms (16 pcs - 2 sides) . . . 5.25  
**APK-249** Lower ball joints to lower A arms (18 pcs - 2 sides) . . . 7.70



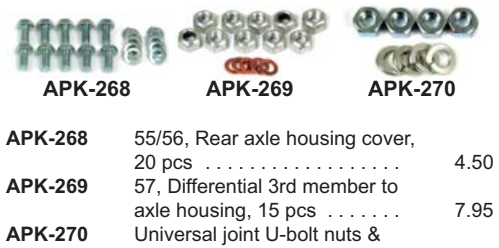
**APK-250-A** Idler arm bracket to frame, power steering, 9 pcs . . . 4.50  
**APK-250-B** Idler arm bracket to frame, manual steering, 6 pcs . . . 4.25  
**APK-251** Idler arm to bushings, power steering, 6 pcs . . . 3.95  
**APK-252** Steering box to frame, 6 pcs . . . 5.95  
**APK-254** Front shock lower mounting plates to lower A frames (8 pcs-2 sides) . . . 3.75  
**APK-255** A frame arm bumpers to A frames (8 pcs - 2 sides) . . . 1.99



**APK-257** Upper A frame arms to frame (12 pcs - 2 sides) . . . 9.95  
**APK-260** Wheel cylinders to backing plates (16 pcs - all 4) . . . 3.45  
**APK-262** 55/56, Rear brake pipe connector to axle hsg, 4 pcs . . . 1.50  
**APK-263** Rear spring U-bolt nuts (4 pcs - 1 side) . . . 3.00  
**APK-264** Fordomatic trans pan to case, 28 pcs . . . 4.95  
**APK-265** Rear transmission mount to frame, 10 pcs . . . 3.50



**APK-266** 55/56, Rear trans. cross brace to frame, 18 pcs . . . 4.50  
**APK-267-A** Rear engine mount to frame & trans, FM, 12 pcs . . . 6.40  
**APK-267-B** Rear engine mount to frame & trans, Std, 12 pcs . . . 6.40



**'55 - '57 ENG. COMPARTMENT**



**APK-268** 55/56, Rear axle housing cover, 20 pcs . . . 4.50  
**APK-269** 57, Differential 3rd member to axle housing, 15 pcs . . . 7.95  
**APK-270** Universal joint U-bolt nuts & washers, 8 pcs . . . 1.10  
**APK-4** 55, Rad. shroud kit, 47 pcs . . . 6.95  
**APK-32** Drive nails for hood pad, 7 pcs . . . 2.25  
**APK-77** 55, Battery hold down washers & wingnuts, 2 bolt type . . . 4.65  
**APK-78-A** 56/57, Battery hold down washers & wingnuts, 2 bolt type . . . 4.65  
**APK-78-B** 56/57, Battery hold down washers & wingnuts, 3 bolt type . . . 4.90  
**APK-84-A** 55, Bolt kit, radiator to (#16138) brace, 12 pcs . . . 2.50



**APK-84-B** 56/57, Bolt kit, radiator to (#16138) brace, 4 pcs . . . 2.85  
**APK-84-C** Radiator brace (#16138) to body, 18 pcs . . . 4.50  
**APK-85-A** 55, Bolt kit, fan shroud upper & lower to each other & to radiator, (Not included APK-93) 40 pcs . . . 6.95  
**APK-93** Lower fan shroud bracket kit, 8 pcs . . . 2.00  
**APK-98** Pipe plug for water pump, (cars without power steering and/or heater) 1 piece . . . 2.00  
**APK-123** Exhaust manifold kit, 28 pcs . . . 10.75



**APK-189** Hood to hood hinges (12 pcs - 2 sides) . . . 1.95  
**APK-190** Hood hinges to nose panel brace (12 pcs - 2 sides) . . . 4.95  
**APK-191** Hood latch pin brackets to hood (12 pcs - 2 sides) . . . 1.95  
**APK-192** Hood latch pins to hood rackets (2 pcs - 2 sides) . . . .70  
**APK-197** Horn brackets to body 8 pcs - 2 sides) . . . 1.95  
**APK-198-A** 55, Battery tray kit, 14 pcs . . . 1.95



**APK-198-B** 56/57, Battery tray kit, 16 pcs . . . 4.95  
**APK-199-A** 55, Heat Shield to Tray, 4 pcs . . . .65  
**APK-199-B** 56/57, Heat Shield to Tray, 8 pcs . . . .1.25  
**APK-201** Master cylinder to firewall, 8 pcs . . . .3.25  
**APK-202** Power brake booster bracket to inner fender, 16 pcs . . . .1.75  
**APK-203** Power brake booster to bracket, 4 pcs . . . . .99



**APK-204** 55/56, Ground strap, engine to firewall & battery cable to engine, 5 pcs . . . .1.10  
**APK-205** 57, Ground strap, engine to firewall & battery cable to firewall, 5 pcs . . . .1.10  
**APK-206** Fresh air cable brackets (#01822-R) to inner fenders & clip to bracket (6 pcs-2 sides) . . . .85  
**APK-207** Windshield washer bag bracket & lower bag shield to inner fender, 4 pcs . . . .1.15  
**APK-208** Starter solenoid to firewall, 2 pcs . . . .95  
**APK-209** Voltage regulator to inner fender, 3 pcs . . . . .90



**APK-210** Heater blower assembly to inner fender, 6 pcs . . . .1.55  
**APK-211** Heater blower round support plate to housing, 5 pcs . . . .1.45  
**APK-212** Heater core to housing & housing to firewall, 14 pcs . . . .1.85  
**APK-213** Heater hose bracket (#18481-R) to inner fender, 2 pcs . . . . .90  
**APK-214-A** 55/56, Wiring junction blocks to inner fenders (4 pcs-2 sides) . . . .1.30  
**APK-214-B** 57, Wiring junction block to inner fender, 2 pcs . . . . .65



**APK-215** Oil pan to block, 44 pcs . . . . 7.50  
**APK-216** Timing case cover to engine, (Does not incl. APK-217-A or APK-217-B) 16 pcs . . . . 6.95  
**APK-217-A** Water pump to engine, with power steering , 8 pcs . . . . 4.90

**'55 - '57 ENG. COMPARTMENT**



- APK-218 Vent block-off cover (#6869) to engine, 4 pcs . . . . . 1.80
- APK-219 Road draft tube to eng, 3 pcs . . . . . .60
- APK-220 Valley cover to engine, 4 pcs . . . . . 2.25
- APK-221 Intake manifold carburetor studs, 4 pcs . . . . . 9.95
- APK-222 Intake manifold to engine, (Doesn't include 4 center studs or cupped washers) 15 pcs . . . . . 4.95
- APK-223 55/56, Carb to intake manifold, (Nuts & washers only) 8 pcs . . . . . 3.40



- APK-224 57, Carb to intake manifold, (Nuts & washers only) 8 pcs . . . . . 1.95
- APK-225 Thermostat housing (#8592) to manifold & by-pass tube to water pump, 8 pcs . . . . . 2.25
- APK-226 Fuel pump to timing case cover, 4 pcs . . . . . 1.60
- APK-227 Starter motor to bell hsg, 6 pcs . . . . . 1.40
- APK-232 Coil bracket to intake manifold, 4 pcs . . . . . 1.25
- APK-233 Spark plug wire brackets to engine, 8 pcs . . . . . 1.95



- APK-234 Fan to water pump, 8 pcs . . . . . 2.90
- APK-235 Front motor mount to engine bracket, 8 pcs . . . . . 3.25
- APK-236 Engine steady rest brackets (#6954/5) to engine (8 pcs - 2 sides) . . . . . 3.50
- APK-237-A Generator to brackets (3), with stamped steel end plate, 6 pcs . . . . . 3.50
- APK-237-B Generator to brackets (3), with cast end plate, 9 pcs . . . . . 3.50
- APK-239-A Exh. manifold to heads, man. steering (32 pcs - 2 sides) . . . . . 10.95



- APK-239-B Exh. manifolds to heads, pwr. steering (16 pcs - 2 sides) . . . . . 11.50
- APK-240 Exhaust manifold studs & brass nuts to header pipes (12 pcs - 2 sides) . . . . . 19.95
- APK-241 Accelerator bellcrank to intake manifold, 4 pcs . . . . . .75
- APK-242 Accelerator steady bracket to engine block, 4 pcs . . . . . .75
- APK-171 Door hinge to door & body (7 pcs - 1 hinge) . . . . . 3.75
- APK-172 Power window wiring protector to door (2 pcs - 1 side) . . . . . .65
- APK-173 Door panel channels (#21032/3-R) to doors, 8 pcs . . . . . 1.25
- APK-277 Set screws for pillar (#20314/5), 2 pcs. . . . . 2.10

**'55 - '57 DOOR KITS**



- APK-48-A #21144-5 door garnish screw kit, 4 pcs . . . . . .75
- APK-50 Striker plate screw kit, 3 pcs . . . . . 3.95
- APK-71 55/56, Door panel & garnish screw kit, 70 pcs . . . . . 25.95
- APK-72 57, Door panel & garnish screw kit, 56 pcs . . . . . 15.95
- APK-92 Door glass stainless to lower channel screw kit, 6 pcs . . . . . 1.65
- APK-162-A Door garnish rails (#20906/7) to doors (8 pcs - 2 sides) . . . . . 2.25
- APK-162-B Door garnish rails (#20906/7) to doors (8 pcs - 2 sides) . . . . . 2.40
- APK-163 Door garnish mouldings (#21172) to garnish rails (32 pcs - 2 sides) . . . . . 8.80
- APK-164 Armrest bodies to door panels (16 pcs - 2 sides) . . . . . 2.95



- APK-165 Armrest wedge spacers (#21134/5) to doors, 18 pcs . . . . . 5.95
- APK-166 57 door weatherstrip spacers (#20572/3) to doors 4 pcs . . . . . 1.00
- APK-167 Door access plates to doors (24 pcs - 2 sides) . . . . . 2.15
- APK-168 Door lock assemblies to doors (18 pcs - 2 sides) . . . . . 5.95
- APK-169 Upper window stops (#21770-R) to doors, 12 pcs . . . . . 3.15
- APK-170 Door pillars to doors, 8 pcs . . . . . 1.80

**'55 - '57 TRUNK KITS**



- APK-86 57, Trunk hinges to deck lid (4 pcs - 2 sides) . . . . . 1.90
- APK-99 57, Spare tire hold down clevis pins, washers & clips, 6 pcs . . . . . 2.25
- APK-116-A 55/56, Trunk lock assembly to trunk lid, 6 pcs . . . . . 1.55
- APK-116-B 57, Trunk lock assembly to trunk lid, 8 pcs . . . . . 2.00
- APK-273 55/56, Trunk hinges to deck lid (12 pcs - 2 sides) . . . . . 1.50
- APK-274-B 57, Trunk latch striker to body, 4 pcs . . . . . 1.20
- APK-275 57, Trunk side cardboards to body (13 pcs - 2 sides) . . . . . 2.30
- APK-276 55 trunk divider board to body, 8 pcs . . . . . 1.30

**'55 - '57 HARD TOP KITS**



- APK-53 Inside porthole ring screw kit, 8 pcs . . . . . 1.65
- APK-57 Hard top clamp screw kit, 24 pcs . . . . . 9.95
- APK-63 Hard top tack strip screw kit, 45 pcs . . . . . 7.95
- APK-64-A Hard top w. strip screw kit, replacement, 47 pcs . . . . . 8.95
- APK-65 Hard top stainless trim screw kit, 20 pcs . . . . . 3.95
- APK-67 Hard top wire-on corner screw kit, 6 pcs . . . . . .90

**LET US BE YOUR  
'CLASSIC' FORD PARTS SUPPLIER**  
SERVICING ALL YOUR PARTS NEEDS FOR:  
/ '55-'57 THUNDERBIRD / '48-'72 FORD TRUCK  
/ '58-'66 THUNDERBIRD / '60-'72 GALAXIE  
/ '49-'59 'BIG FORD' CAR / '62-'72 FAIRLANE  
/ '49-'56 MERCURY CAR / '68-'71 TORINO

**'55 - '57 HARD TOP KITS**



- APK-174** Hard top front clamps to top (4 pcs - 2 clamps) . . . . . 2.10
- APK-175** Hard top side clamps to top (4 pcs - 2 clamps) . . . . . 2.10
- APK-176** Hard top rear clamp plates to top (16 pcs - 2 sides) . . . . . 3.85  
*Note: APK-174, 175 & 176 also included in APK-57.*

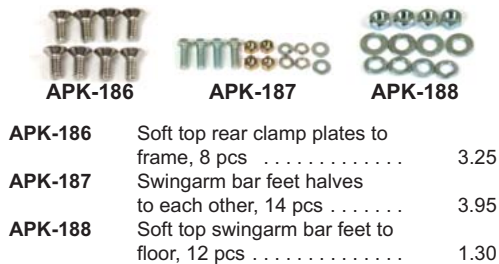
**'55 - '57 SOFT TOP KITS**



- APK-56** Soft top clamp screw kit, 20 pcs . . . . . 8.95
- APK-62** Soft top tack strip screw kit, 90 pcs . . . . . 7.75
- APK-66** Soft top weatherstrip screw kit, 96 pcs . . . . . 16.95
- APK-68** Soft top swingarm feet bolt kit with special adjusting bolts, 34 pcs . . . . . 19.50
- APK-177** Soft top front header center casting to end castings, 6 pcs . . . . . 2.10
- APK-178** Soft top front header casting to front side rails, 16 pcs . . . . . 6.30

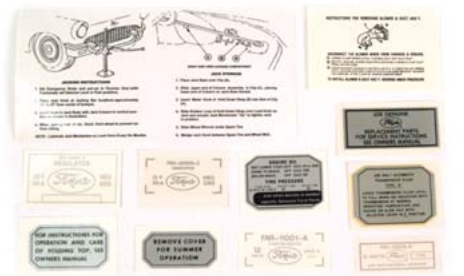


- APK-179** Soft top center bows (2) to side rails, 16 pcs . . . . . 5.25
- APK-180** Soft top webbing plates to number 2 bow, 4 pcs . . . . . 1.40
- APK-181** Soft top front stainless trim to frame, 20 pcs . . . . . 11.95
- APK-182** Soft top outside wire-on tips to top, 4 pcs . . . . . 1.00
- APK-184** Soft top front clamps to frame, 16 pcs . . . . . 3.95
- APK-185** Soft top side clamps to frame, 4 pcs . . . . . 1.95



- APK-186** Soft top rear clamp plates to frame, 8 pcs . . . . . 3.25
- APK-187** Swingarm bar feet halves to each other, 14 pcs . . . . . 3.95
- APK-188** Soft top swingarm bar feet to floor, 12 pcs . . . . . 1.30

**'55 - '57 DECALS**



- 13A** 55, **Complete set**, includes all decals 1A thru 9 for 55 . . . 13.95
- 13B** 56, **Complete set**, includes all decals 1A thru 12 for 56 . . 16.95
- 13C** 57, **Complete set**, includes all decals 1B thru 12 for 57 . . 12.95



- 1A** 55/56, Jacking instructions . . 1.50
- 1B** 57, Jacking instructions . . . . 1.50



- 2** Heater instructions . . . . . 1.35
- 3** Automatic trans. (Glove box) . . 1.50



- 4** Hood block-off plate . . . . . 1.50
- 5** Soft top (Glove box) . . . . . 1.50



- 6A** 55/56, Air cleaner . . . . . 2.10
- 6B** 57, Air cleaner . . . . . 1.50



- 7A** 55/56, Engine oil pressure (Glove box) . . . . . 1.50
- 7B** 57, Engine oil pressure (Glove box) . . . . . 1.50



- 8** 55/56, Oil filter can . . . . . 3.50
- 9A** 55, 6V Voltage reg. cover . . . . 1.50



- 9B** 56/57, 12V Voltage reg. cover. 1.50
- 10** 56/57, Coil decal . . . . . . . . 1.50



- 11A** 56, Generator decal . . . . . . . 1.50
- 11B** 57, Generator decal . . . . . . . 1.50



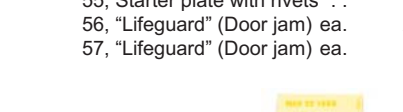
- 12** 56/57, Starter decal . . . . . . . 1.50
- 14A** 55/Early 57, Data plate . . . . . 1.50



- 14B** Late 57, Data plate . . . . . . . 1.50
- 15** Data plate rivets . . . . . . . . . 4.00
- 16** 55, Generator plate w/ rivets . . . 4.00



- 17** 55, Starter plate with rivets . . . 5.50
- 18A** 56, "Lifeguard" (Door jam) ea. . 2.75
- 18B** 57, "Lifeguard" (Door jam) ea. . 1.95



- 19A** 55/57, Valve cover, 292 . . . . .pr. 10.50
- 19B** 56/57, Valve cover, 312 . . . . .pr. 11.50
- 20A** 55, Inspection stamp decal set; includes 2 paint, 2 road test & 1 ea. heater voltage, heater date, trim glass & final inspection . . . . . . . . . .set 10.95
- 20B** 56, Inspection stamp decal set . . . . . 10.95
- 20C** 57, Inspection stamp decal set . . . . . 10.95



- 21A** 55/56, Jewel set, oil, gen. & turn signals . . . . . . . . . . .set 5.95
- 21B** 57, Jewel set, oil, generator & turn signals . . . . . . . . . . .set 7.35
- 22A** 56, Radio . . . . . . . . . . . . . . .ea. 7.50
- 22B** 57, Radio, 2 piece set . . . . . . . . .set 7.50



- 23** Engine foundry tag (On engine) . . . 1.75
- DF-1074** 55/57, Non-aluminum valve cover decals . . . . . . . . . . .pr. 14.00

**'55 - '57 LITERATURE**



L1

**THUNDERBIRD!**

**AN ILLUSTRATED HISTORY OF THE FORD T-BIRD. DETAILED!** Over 1000 sharp, new pictures of the Ford Thunderbird, many in color!  
**ACCURATE!** Low-mile original or quality restorations used as models!  
**AUTHORITATIVE!** Researched & edited for authenticity.  
**LARGE SIZE!** Hard bound, with colorful wrap around protective dust jacket. Over 300 pages; 1000 illustrations & many in color!

Written by Ray Miller, *Noted Automotive Historian,*  
 Photos by Glenn Embree, *Outstanding Automotive Photographer!*

L-1 .....ea. 52.50



L3-A



L4-A



L5-B

L3 **OWNERS MANUAL** - A color reprint.  
 L3-A 55 .....ea. 11.95  
 L3-B 56 .....ea. 11.95  
 L3-C 57 .....ea. 11.95

L4 **SHOP MANUAL** - Complete repair manual.  
 L4-A 55, 341 pages .....ea. 29.95  
 L4-B 56, 367 pages .....ea. 29.95  
 L4-C 57, 395 pages .....ea. 29.95

L5 **FORDOMATIC TRANSMISSION MANUAL**  
 L5-A 55 .....ea. 19.50  
 L5-B 56/57 .....ea. 19.50



L-6



L7



L9-A

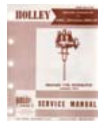
L-6 **ELECTRICAL MANUAL** - Shows wiring diagrams and color codes.  
 55/57 .....ea. 19.95

L7 **UPHOLSTERY TRIM & SEAL MANUAL** - Shows how to install all upholstery as well as here to put under-seal as it was done at the factory.  
 55/57 .....ea. 19.95

L8 **RADIO SERVICE MANUAL** - Reprints of the original schematics.  
 L8-A 55 .....ea. 4.50  
 L8-B 56 .....ea. 5.50  
 L8-C 57 .....ea. 7.95

L9 **HOLLEY CARBURETOR MANUAL** - Reprints of the original; Shows parts break down.  
 L9-A 55 .....ea. 19.95  
 L9-B\* 56 .....ea. 19.95  
 L9-C 57 .....ea. 19.95

*\*Note: The '56 Manual is a supplement to the '55, so in order to get the complete '56 Manual, you must order both '55 & '56 Manuals.*



L10



L11



L12

L10 **DISTRIBUTOR MANUAL** - A detailed manual for rebuilding your distributor.  
 55/57 .....ea. 19.50

L11 **SUPERCHARGER MANUAL** - Comprehensive manual cover the Ford Supercharger.  
 55/57 .....ea. 19.50

L12 **SOFT TOP ILLUSTRATION** - Shows the soft top parts and assembly.  
 55/57 .....ea. 2.95



L13



L14-B



L16

L13 **SIMULATED WIRE WHEEL COVER ILL.** - An illustrated brochure that shows the installation of the Simulated Wire Wheel Cover.  
 55/57 .....ea. 2.95

L14 **SALES BROCHURE** - Reprints of the original Ford sale brochure.  
 L14-A 55, 4 pages .....ea. 3.95  
 L14-A1 55, 12 pages, multicolor .....ea. 19.95  
 L14-B 56, 6 pages, multicolor .....ea. 10.95  
 L14-B1 56, 16 pages, multicolor .....ea. 19.95  
 L14-C 57, 3 pages, foldout in color .....ea. 8.95  
 L14-C1 57, 16 pages, multicolor .....ea. 19.95

L16 **SERVICE LETTERS** - A compilation of all the Ford Service letters sent to their dealers by Ford Motor Co. for '55 to '57 Thunderbirds.  
 55/57 .....ea. 21.50



L17-A



L18

L17 **SPECIFICATION MANUAL** - A complete manual on all T-Birds specifications.  
 L17-A 55 .....ea. 24.95  
 L17-B 57 .....ea. 24.95

L18 **ILLUSTRATIONS MANUAL** - An in-depth compilation of full-page illustrations that cover all systems in your Thunderbird.  
 55/57 .....ea. 10.95



**CTCI-1- "AUTHENTICITY MANUAL"** - A must for restoring your Bird! Published by the Classic Thunderbird Club International. Hundreds of photographs that answer most of the "Authenticity" questions. If you plan to show your Bird or if you just want it "Correct", invest in this book!  
 .....ea. 49.95



P1



P2-Q



P7

P1 **RED ENGINE SPRAY PAINT** - The correct shade of Red-Orange paint; spray can.  
 55/57 .....12 oz. 11.95

P2-Q **"FORD RED" ENGINE PAINT** - This is the correct color of the original "Ford Red" engine paint! All of the nice show cars use this paint. It gives a nice glossy finish that will last a long time. You must use our #9433-TZ Intake Manifold Gasket in order to prevent "burn-off" on the center of the Intake Manifold.  
 55/57, Acrylic Enamel .....qt. 64.95

P3 **KRYLON SEMI-GLOSS BLACK** - Spray can.  
 55/57 .....ea. 10.95

P4 **KRYLON GLOSS BLACK** - Spray can.  
 55/57 .....ea. 9.95

P5 **FORD SILVER - ARGENT** - The correct paint for Air Cleaners & Power Steering Pump Reservoirs. Spray can.  
 55/57 .....ea. 12.95

P6 **BLACK "KRYNKLE" PAINT** - For painting the Heater Box, Spray can.  
 55/57 .....ea. 14.95

P7 **LIGHT GREEN PAINT** - For painting Aluminum Valve Cover logo. Small bottle.  
 55/57 .....ea. 5.95

P8 **RED PAINT** - For painting - Aluminum Valve Cover logo; '55 Y-8 Emblems; '56 & '57 Front Nose Emblem & '57 Trunk Handle. Small bottle.  
 55/57 .....ea. 5.95

P9 **RED-ORANGE PAINT** - For painting instrument needles. Small bottle.  
 55/57 .....ea. 5.10



P10



P15



P17

P10 **DARK GREEN PAINT** - For Wire, Brake line & Fuel line clips. Spray can.  
 55/57 .....3.5 oz. 9.75

P11 **GREY PAINT** - For painting the Steering Column Clamp. Spray can.  
 55/57 .....ea. 9.95

P14 **GREY PAINT** - For painting Exhaust Manifolds, high temperature. Spray can.  
 55/57 .....12 oz. 13.95

P15 **TAN ENAMEL PAINT** - For swing arm on soft top.  
 55/57 .....pint 45.95

P16 **BROWNISH-GREY PAINT** - For seat frames & bar on Power Seat Mechanism.  
 55/57 .....pint 43.95

P17 **SPRAY ADHESIVE** - Spray can.  
 55/57 .....16 oz. 24.95

CTCI-2 Supplement #1 ..... 19.95  
 CTCI-4 Supplement, Addendum '96 ..... 19.95  
 CTCI-5 Supplement, Addendum '99 ..... 19.95  
 CTCI-6 Supplement, Addendum '01 ..... 19.95  
 CTCI-7 Supplement, Addendum '03 ..... 19.95  
 CTCI-8 Supplement, Addendum F ..... 19.95  
 CTCI-9 Supplement, Addendum G ..... 19.95  
 CTCI-10 Supplement, Addendum H ..... 19.95  
 CTCI-COMBO CTCI-1 plus supplements & 3 ring binder w/ CTCI logo .....set 194.95

CTCI-3 **CTCI CONCOURS D'ELEGANCE RULE 'BOOK'** This book contains the CTCI Concours rules & actual score sheets used in all sanctioned Concours d'Elegance  
 55/57 .....ea. 4.95



## AVAILABLE KITS

UPHOLSTERY KIT	2
CHROME TRIM KIT	9
RE-PAINT WEATHERSTRIP KIT	11
WIRE WHEEL KIT	14
POWER BRAKE INSTALL KIT	18
SHOCK KIT	20
FRONT SUSPENSION MAJOR OVERHAUL	21
COMPLETE POWER STEERING	23
ANTI-SWAY BAR/SHOCK KIT	29
EXHAUST KIT	31
ALUMINUM VALVE COVER KIT	36
GRILL/GRILL MOLDING KIT	43
GAS TANK KIT	45
ALTERNATOR CONVERSION	52
KNOB & BEZEL KIT	54
TAIL LAMP KIT	60
ELECTRICAL WIRING KIT	62
POWER WINDOW CHROME KIT	66
FRONT FENDER SPLASH KIT	68
DASH LENS & BEZELS KIT	70
WASHER PUMP/SWITCH KIT	71
HEATER CORE & GASKET KIT	75
AIR DUCT INSTALL KIT	79
DASH ALUMINUM KIT	82
OUTSIDE DOOR HANDLE KIT	86
INSIDE DOOR HANDLE KIT	86
FENDER SKIRT INSTALL KIT	88
PORTHOLE INSTALL KIT	88
HARDTOP CLAMP/LEVER KIT	91
SOFT TOP CLAMP/LEVER KIT	92
CONVERTIBLE TOP PIN KIT	92
HARD/SOFT TOP WEATHERSTRIP	8/94
SWING ARM KIT	94
REPLACEMENT SOFT TOP KIT	94

ACCELERATOR LINKAGE	50
ADHESIVES	102
AIR-	
CLEANER	49
CONDITIONER	9
DUCTS	80
SCOOP	80
VENTS	80
ALTERNATOR	52
ANTENNA	10/77
BALL-	
JOINT	21
BATTERY-	
BOLTS & CLAMPS	53
CABLES	65
CARRIER	53
HOLDDOWN	53
HEATSHIELD	54
BEARING-	
CLUTCH	40
FRONT WHEEL	15
GENERATOR	52
REAR END	28
BELT-	
FAN & POWER STEERING	44
SEAT SAFETY	11
BODY PANELS	12
BOOKS	102
BRAKE-	
BOOSTER	17
CABLES	19
CLIPS	19
DRUMS	14
EMERGENCY	19
HOSE	17
LIGHT SWITCH	20
LINES - STEELS & STAINLESS	19
MASTER CYLINDER	18
PEDAL & PEDAL PADS	19
SHOES	16
WHEEL CYLINDER	17

BULB-	
COMPLETE LIST	60
HEADLAMP	58
KITS	60
BUMPER-	
AXLE	31
BRACES	73
DECK LID	89
DIFFERENTIAL	31
FRONT & REAR	73
GLOVE BOX	82
REAR SPRING	31
BUSHING-	
CLUTCH	40
FRONT SUSPENSION	21
IDLER ARM	22
REAR SPRING	30
STARTER	55
STABILIZER BAR	29
CABLE-	
BATTERY	65
EMERGENCY BRAKE	19
HEATER CONTROL	76
HOOD RELEASE	69
SPEEDOMETER	70
STARTER	65
TACHOMETER	71
VENT CONTROL	76
CAR COVERS	11
CAMSHAFT	34
CAP-	
BREATHER	37
DISTRIBUTOR	56
GASOLINE FILL	45
HUBCAPS	14
MASTER CYLINDER	18
OIL FILLER	37
POWER STEERING FILLER	26
RADIATOR	42
CARBURETOR-	
AIR CLEANER	49
SPACER	48
GASKET	48
REBUILT CARBURETOR	48
REBUILD KITS	48
CARPET	6
MATS	6
CLAMPS -	
TOP HOLDDOWN	91
CLUTCH-	
DUST SHIELD	40
DISC & PLATE	40
COIL-IGNITION	56
CONTINENTAL KIT	15
CONVERTIBLE TOP	7
(SEE SOFT TOP)	
DASH-	
BEZEL	54
COVERING	5
KNOBS	54
LENSES	70
SAFETY PAD	5
TRIM SETS	82
DECALS	101
DEFLECTOR-	
REAR BUMPER	73
DIPSTICK-	
ENGINE OIL	37
TRANSMISSION OIL	39
TUBE-ENGINE OIL	37
TUBE-TRANS OIL	39
DISTRIBUTOR	57
DOOR-	
CHECK STRAP	87
GAS FILLER	89
GLASS	84
HANDLES	86
HINGE REPAIR	86
LATCH PARTS	85
LOCK PARTS	85
UPHOLSTERY	3
WEATHERSTRIP	83
DROP CURTAIN	4

EMBLEM-	
NOSE PANEL	43
Y-8 GLOVE BOX	82
Y-8 BODY SIDE	68
EXHAUST	31
EXTERIOR TRIM KIT	9
FAN-	
BELT	44
BLADES	44
SHROUD	42
SPACER	44
FILTER-	
AIR CLEANER	49
AUTOMATIC TRANS	39
FUEL	45
OIL - ENGINE	37
POWER STEERING	24
FLOOR MATS	6
FLYWHEEL RING GEAR	41
FUEL-	
FILTER	45
FLEX LINE	46
LINES	46
PUMP	46
SENDING UNIT	46
TANK	45
TANK STRAPS	45
GASKETS- (ALSO SEE SEALS)	
(ALSO SEE WEATHERSTRIP)	
GAS TANK-	
BOLT-MOUNTING	45
COMPLETE	45
PADS	45
STRAPS-MOUNTING	45
STRAPS-FILLER NECK	45
VENT HOSE	45
GEAR SHIFTER	40
GENERATOR-	
BEARINGS	52
BRUSHES	52
DECAL	101
MOUNTING BRACKETS	52
OVERHAUL KIT	52
PULLEY	52
GLASS-	
DOOR	84
HARDTOP	91
PORTHOLE	88
WINDSHIELD	81
WIND WING	81
GLOVE BOX	82
GRILLE	43
HARDTOP-	
CLAMPS	91
BACKGLASS	91
HOIST KIT	11
PORTHOLE	88
TACK STRIP SET	6
WEATHERSTRIPS	8/94
HARDWARE	96
HARDWARE KITS	97
HEADLINER	6
HEATER-	
BLOWER MOTOR	76
CHAMBER	75
CONTROL CABLE	76
CORE	75
GASKETS	75
HOSE	75
KNOBS	54/76
MANUAL CONTROL KIT	76
SWITCH-MOTOR	76
VALVE	75
WIRE-MOTOR	76
HOOD	68
HORN-	
RELAY	61
RING	62

<b>HOSE-</b>		<b>REGULATOR-</b>		<b>SWITCH-</b>	
BRAKE	.17	VOLTAGE	.52	BACK-UP LAMP	.67
CLAMP KIT	.44	WINDOW	.86	COURTESY LIGHT	.61
DEFROSTER	.76	<b>REPAINT KIT</b>	.11	HEADLIGHT	.55
GAS TANK VENT	.46	<b>REPAIR PANELS</b>	.12	HEATER BLOWER MOTOR	.76
HEATER	.75	<b>ROD-</b>		IGNITION	.55
POWER STEERING	.27	KICKDOWN	.50	MAP LIGHT	.61
RADIATOR	.44	SHIFTER	.40	NEUTRAL SAFETY	.40
WASHER	.72	TIE ROD END	.22	SEAT	.66
<b>HUBCAPS</b>	.14	<b>SEALS- (ALSO SEE GASKETS)</b>		WINDOW	.66
<b>IGNITION-</b>		(ALSO SEE WEATHERSTRIP)		<b>TACHOMETER-</b>	
SWITCH	.55	ACCELERATOR ROD	.49	CABLE	.71
TUNE-UP KIT	.55	AIR CLEANER	.49	GEAR/SEAL	.71
SPARK PLUG WIRES	.57	AIR DUCT	.79	<b>VACUUM-</b>	
<b>JACK-</b>		FAN SHROUD	.42	ADVANCE	.57
HOLDDOWN STRAP	.16	HEATER	.75	CONTROL-HEATER	.75
JACKING PLATES	.73	STARTER	.55	<b>VISORS</b>	.5/81
<b>KEYS</b>	.85	STEERING	.23	<b>WEATHERSTRIP- (SEE SEALS &amp; GASKETS)</b>	
<b>KNOB-</b>		TRANSMISSION	.39	DOOR	.83
DASH	.54	<b>SEAT-</b>		SOFT TOP	.8/94
DOOR LOCK	.85	BELT-SAFETY	.11	HARDTOP	.8/94
HEATER	.76	COVERING	.2	TRUNK	.90
LIGHTER	.67	FOAM	.3	WINDSHIELD	.81
LIGHT CONTROL	.55	FRAME PARTS	.95	<b>WHEEL-</b>	
RADIO	10/77	MOTOR	.66	COVERS	.14
SIDE VENT	.79	TRACK PARTS	.95	CYLINDER	.17
<b>LAMPS-</b>		<b>SHIFTERS</b>	.40	STEERING	.24
BULBS	.60	<b>SHOCK ABSORBERS</b>	.20	WIRE	.14
<b>LENS-</b>		<b>SKIRTS, FENDER</b>	.88	<b>WINDOW-</b>	
BACKUP	.67	<b>SOFT TOP-</b>		GLASS	.84
LICENSE	.60	CLAMPS	.92	HANDLE	.87
MAPLIGHT	.61	COVERING	.7	MOTOR	.66
PARKLAMP	.59	HEADER STAINLESS	.95	REGULATOR	.86
SHIFT SELECTOR	.40	PIN KITS	.92	ROLLERS	.86
TAIL LAMP	.59	TACK STRIP SET	.6	STOPS	.84
<b>LIGHTER- CIGAR</b>	.67	WEATHERSTRIP	.8/94	WEATHERSTRIP	.84
<b>LICENSE-</b>		<b>SPARK PLUGS</b>	.57	<b>WINDSHIELD-</b>	
LENS	.60	<b>SPEAKERS</b>	10/77	CLIP-TRIM	.81
LAMP ASSY	.60	<b>SPEEDOMETER-</b>		GLASS	.81
PLATE BRACKET	.61/73	CABLE & HOUSING	.70	WASHER PUMP	.71
<b>LOCK-</b>		LENS	.70	WEATHERSTRIP	.81
BEZEL-GLOVE BOX	.82	<b>SPRINGS-</b>		WIPER BLADES	.72
TRANSMISSION	.11	ANTI-SQUEAKS	.30	WIPER MOTOR	.71
SETS	.85	BRAKE SHOES	.16	<b>WIPER-</b>	
TRUNK	.89	COIL-FRONT	.20	ARMS	.72
<b>MAPLIGHT</b>	.61	CLUTCH RELEASE	.40	BEZEL	.71
<b>MAT-</b>		DOOR & WINDOW HANDLE	.86	BLADES	.72
CARPET	.6	DOOR LATCH	.85	MOTOR	.71
TRUNK	.90	EMERGENCY BRAKE	.19		
<b>MIRRORS</b>	.73	FRONT COIL	.20		
<b>MUFFLERS</b>	.32	GAS LID	.89		
<b>MOTOR-</b>		GEARSHIFT LEVER BUTTON	.40		
SEAT	.66	GENERATOR BRUSH	.52		
WINDOW	.66	HEADLAMP BUCKET	.58		
WINDSHIELD WIPER	.71	HOOD HINGE	.69		
<b>PAINT</b>	102	HOOD LATCH	.69		
<b>PULLEYS-</b>		HORN RING	.62		
CRANKSHAFT	.35	INSULATORS-FRONT COIL	.20		
FAN	.44	OIL FILTER	.37		
GENERATOR	.52	PARK BRAKE	.19		
HANDBRAKE	.20	REAR LEAF	.30		
WATER PUMP	.44	SEAT ASSIST	.95		
<b>PUMP-</b>		THROTTLE	.50		
FUEL	.46	TOP HANDLE-REAR	.93		
OIL	.36	TURN SIGNAL	.61		
POWER STEERING	.25	<b>STARTER-</b>			
WATER	.44	BRUSHES	.55		
WINDSHIELD WASHER	.71	BUSHINGS	.55		
<b>RADIATOR-</b>		COMPLETE	.55		
CAP	.42	CABLE	.65		
CLAMPS-HOSE	.44	DECAL	.101		
RADIATOR	.41	DRIVE	.55		
DEFLECTOR	.42	SEAL	.55		
HOSE	.44	SOLENOID	.55		
PAD-MOUNTING	.42	REPAIR KITS	.55		
<b>RADIO-</b>		<b>STEERING-</b>			
ANTENNA	10/77	GEAR BOX	.23		
KNOBS	10/77	LINKAGE	.22		
SERVICE MANUALS	.102	WHEEL	.24		
SPEAKER	10/77	<b>STEP PLATES</b>	.83		
STEREO	.10	<b>STEREO RADIOS</b>	.10		



**ORDER ONLINE**  
**24 HRS A DAY/7 DAYS A WEEK**  
**CONCOURSEPARTS.COM**



**PRE CUT KITS**  
**READY TO INSTALL**

**AcoustiSHIELD™**



Stage 1: Sound Damper Pads



Stage 2: Heat Absorber/Barrier Panels

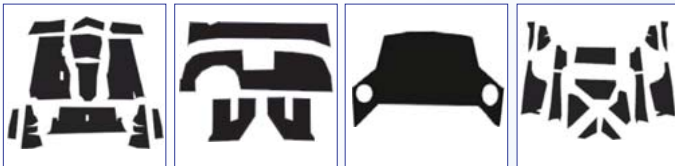
**A MULTI-STAGE, AUTOMOTIVE INSULATION & SOUND DAMPING SYSTEM**

Give your Thunderbird the "Quiet Riding Comfort" found in today's new cars. **AcoustiSHIELD** kits are designed on current state of the art auto acoustic technology, to insulate & control the noise, vibration and heat in the passenger cabin.

*Kit are pre-cut and come with easy to follow instruction.*

**Stage 1:** The first stage consists of pre-trimmed, self-adhesive sound damping pads. These pads are bonded to strategically located trouble spots on the floor pans to control body panel noise and vibration. These spots are mapped and labeled in the detailed instructions.

**Stage 2:** The second stage uses a high-tech absorber/barrier material bonded to the body panels. This both sound deadens and insulates the vehicle from radiant heat penetrating from the engine and the road. Each panel is cut to the correct shape and contour and is mapped and labeled in the detailed instructions.



FLOOR KIT

COWL KIT

ROOF KIT

BODY KIT

**1955-1956 THUNDERBIRD KITS**

**TBIRD-5556-CAK** 55/56, Complete Acoustic Kit; Kit contains all individual kits listed below ..... 751.00

**1955-56 T-BIRD INDIVIDUAL ACOUSTIC KITS**

**TBIRD-5556-FK** 55/56, Floor Kit ..... 204.00  
**TBIRD-5556-CK** 55/56, Cowl Kit ..... 101.00  
**TBIRD-5556-RK** 55/56, Roof Kit ..... 132.00  
**TBIRD-5556-BPK** 55/56, Body Panel Kit ..... 160.00  
**TBIRD-5556-TK** 55/56, Trunk Floor Kit ..... 132.00  
**ASU-DDBIK-2** Universal 2 Door Damper/Barrier Kit ..... 65.00

**1957 THUNDERBIRD KITS**

**TBIRD-5700-CAK** 57, Complete Acoustic Kit; Kit contains all individual kits listed below ..... 751.00

**1957 T-BIRD INDIVIDUAL ACOUSTIC KITS**

**TBIRD-5700-FK** 57, Floor Kit ..... 204.00  
**TBIRD-5700-CK** 57, Cowl Kit ..... 101.00  
**TBIRD-5700-RK** 57, Roof Kit ..... 132.00  
**TBIRD-5700-BPK** 57, Body Panel Kit ..... 160.00  
**TBIRD-5700-TK** 57, Trunk Floor Kit ..... 132.00  
**ASU-DDBIK-2** Universal 2 Door Damper/Barrier Kit ..... 65.00

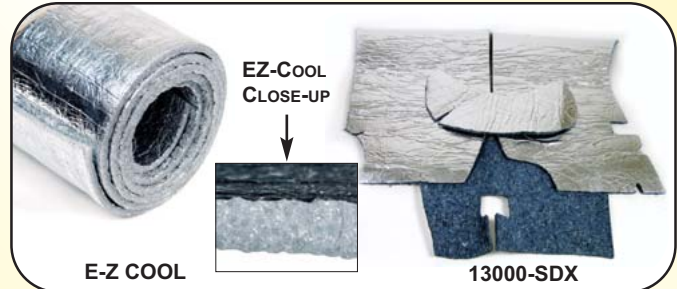
**HEAT & NOISE REDUCTION KIT**

**If you are replacing the carpet in your T-Bird, this kit will make it better than it ever was!**

**THE KIT INCLUDES:**

- 2 - 3' x 6' PCS. OF **EZ-COOL**  
For sound absorption & heat reduction.
- 1 - 3' x 6' PC. OF **13000-JUTE**  
For that plush padded feel under your feet.
- 1 - **#P-17 SPRAY ADHESIVE**  
Used to attach the EZ-COOL to the floor boards.

**EZC-JUTE-K** ..... kit 69.95



E-Z COOL

13000-SDX

**INSULATING/SOUND ABSORPTION KITS**

**13000-JUTE** Jute is cloth batting type material that cushions under your carpet. 3' x 6' piece, Cut to Fit . . . ea. 17.95

**13000-SD** This is a tar-paper material, like material used originally in your Thunderbird, that goes under the jute pad for sound absorption . . . 4 pcs. 59.95

**13000-SDX** This product is a combination of a jute type material and aluminum sheeting. Better than jute alone for sound absorption. . . . . kit 64.95

**E-Z-COOL** **Best option for sound absorption.** Made with the **Original, Patented Low-E insulation.** Blocks engine and road heat, deadens sound & reduces vibrations. Two layers of 97% pure aluminum, reinforced with a poly-fiber center. **For use in:** Floorboards (Under Jute Padding), Headliners, Door panels, Firewalls, Under Hoods and in the Trunk! 3' x 6' piece, Cut to Fit . . . ea. 21.95

**P17** Spray adhesive ..... 16 oz. can 24.95

**LET US BE YOUR 'CLASSIC' FORD PARTS SUPPLIER**

**SERVICING ALL YOUR PARTS NEEDS FOR:**

- ✓'55-'57 THUNDERBIRD ✓'48-'72 FORD TRUCK
- ✓'58-'66 THUNDERBIRD ✓'60-'72 GALAXIE
- ✓'49-'59 'BIG FORD' CAR ✓'62-'72 FAIRLANE
- ✓'49-'56 MERCURY CAR ✓'68-'71 TORINO

# Concours Parts & ACCESSORIES

3655 ARROWHEAD DRIVE #120  
CARSON CITY, NEVADA 89706

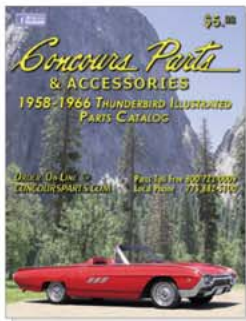


## Concours Parts & ACCESSORIES

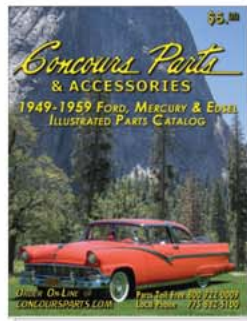


### HOME OF 'CONCOURS PARTS & ACCESSORIES'

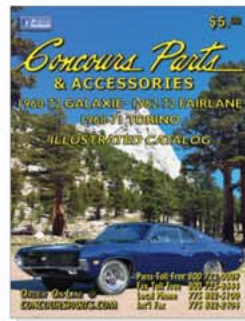
**1958-1966  
THUNDERBIRD  
ILLUSTRATED  
CATALOG**



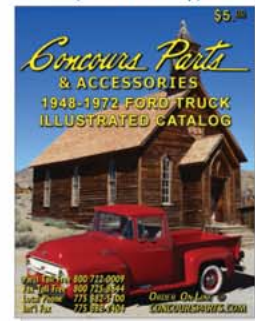
**1949-1959  
'BIG FORD' CAR  
ILLUSTRATED  
CATALOG**



**'60-'72 GALAXIE/LTD &  
'62-'72 FAIRLANE and  
TORINO ILLUSTRATED  
CATALOG**



**1948-1972  
FORD TRUCK  
ILLUSTRATED  
CATALOG  
(On-Line Only)**



Hours: 8:00 AM to 5:30 PM MON. - FRI.  
CLOSED MOST HOLIDAYS

COPYRIGHT 2021  
CONCOURS PARTS & ACCESSORIES  
CARSON CITY, NEVADA