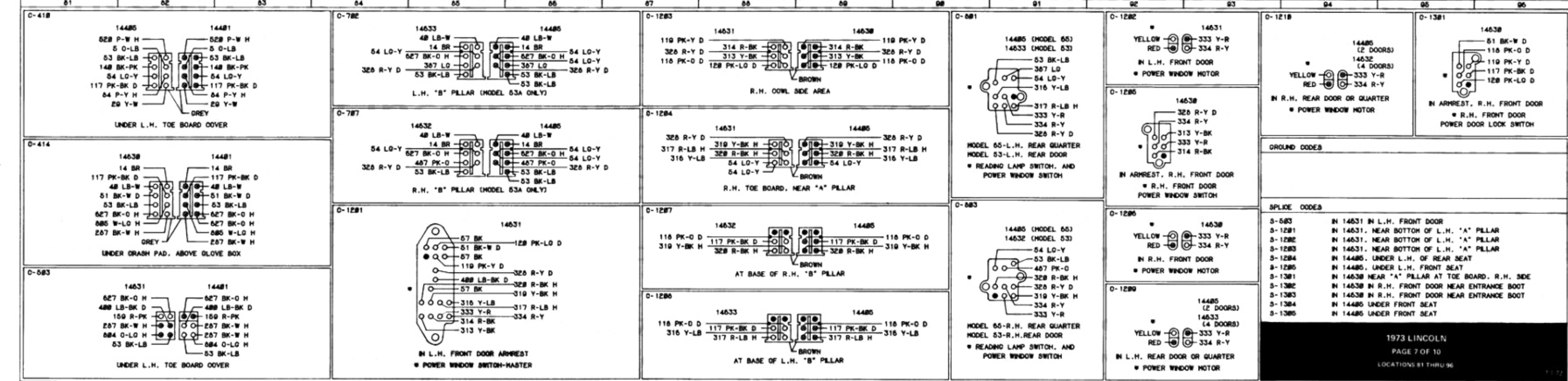
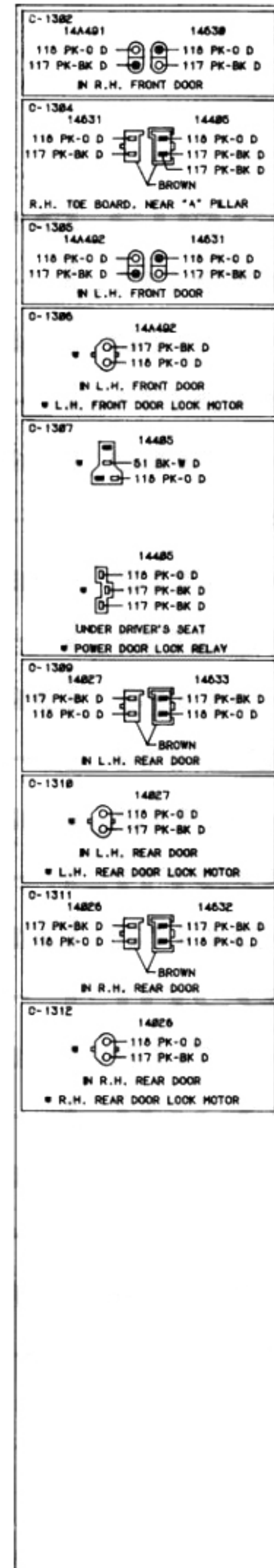
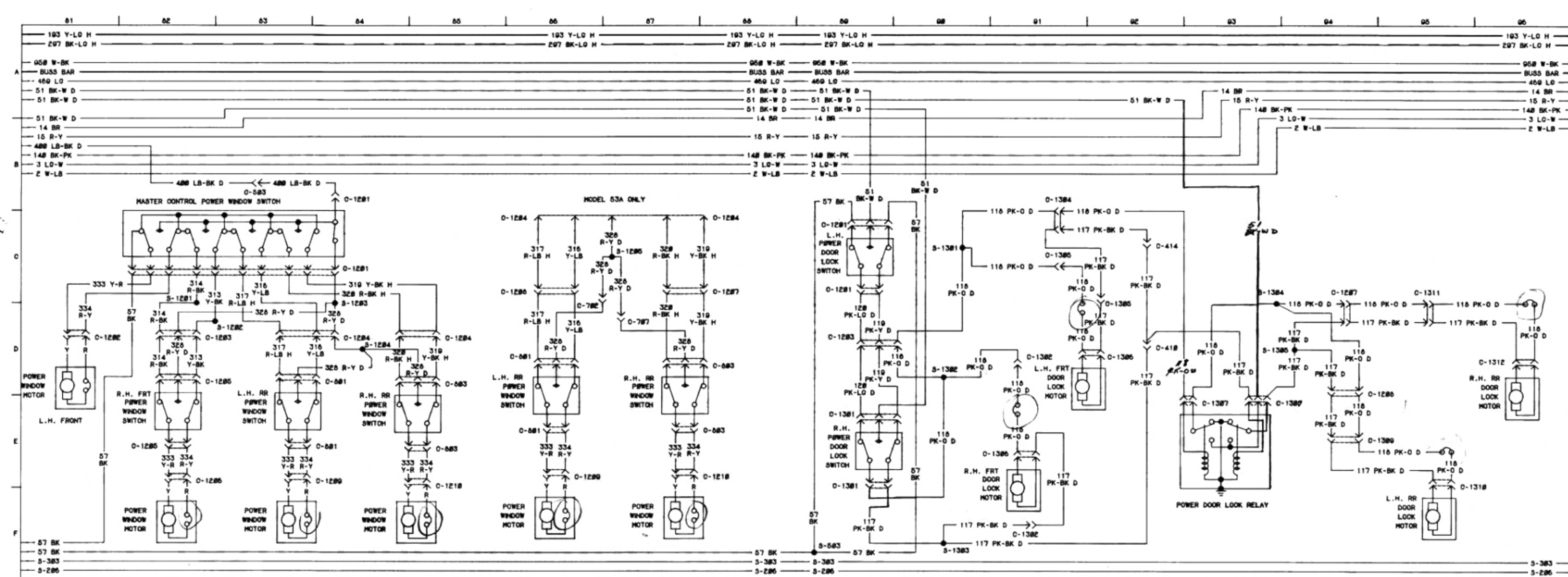


- GROUND CODES**
- O-481 IN 14485 ON STRAINER, BY L.H. REAR WHEELHOUSE
  - O-581 IN 14334 ON L.H. R.H. INNER 'C' PILLAR
- SPLICE CODES**
- S-283 IN 14308 AT REAR OF ENGINE, NEAR R.H. SIDE
  - S-286 IN 14481 NEAR TAKEOUT TO PRINTED CIRCUIT
  - S-581 IN 14485 UNDER REAR SEAT, L.H. SIDE
  - S-582 IN 14485 UNDER REAR SEAT, L.H. SIDE
  - S-583 IN 14481 NEAR HEADLAMP SWITCH TAKEOUT









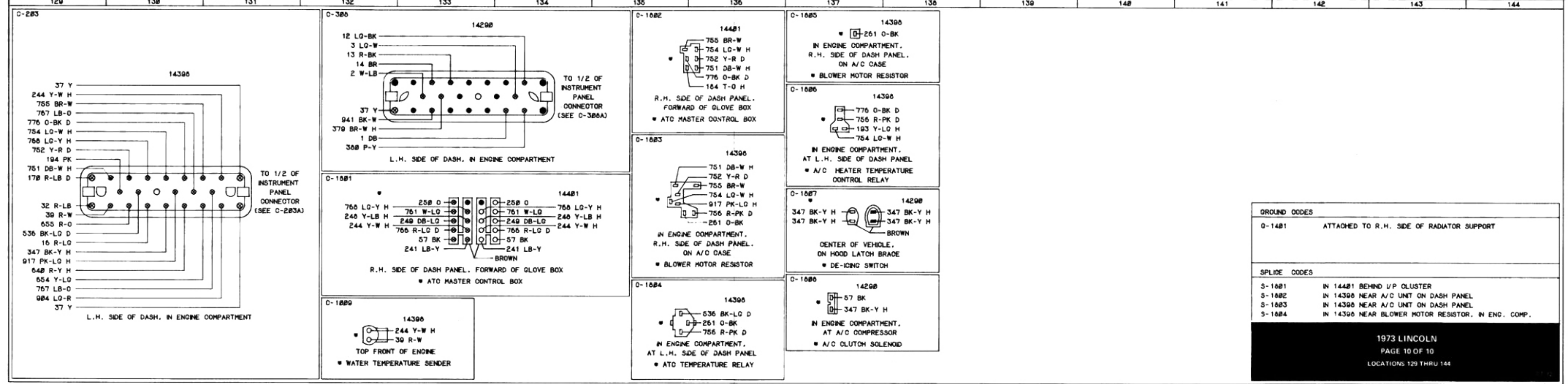
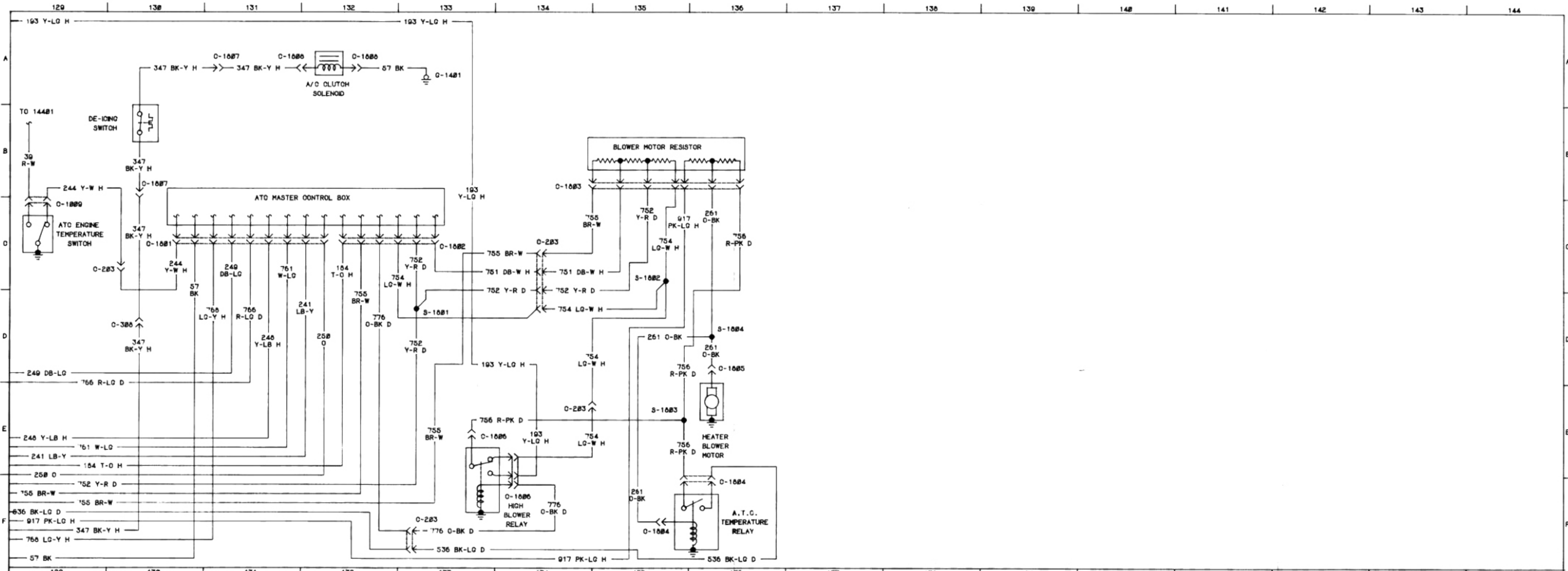












GROUND CODES	
O-1481	ATTACHED TO R.H. SIDE OF RADIATOR SUPPORT

SPLIDE CODES	
S-1681	IN 14481 BEHIND I/P CLUSTER
S-1682	IN 14396 NEAR A/C UNIT ON DASH PANEL
S-1683	IN 14396 NEAR A/C UNIT ON DASH PANEL
S-1684	IN 14396 NEAR BLOWER MOTOR RESISTOR, IN ENG. COMP.



