

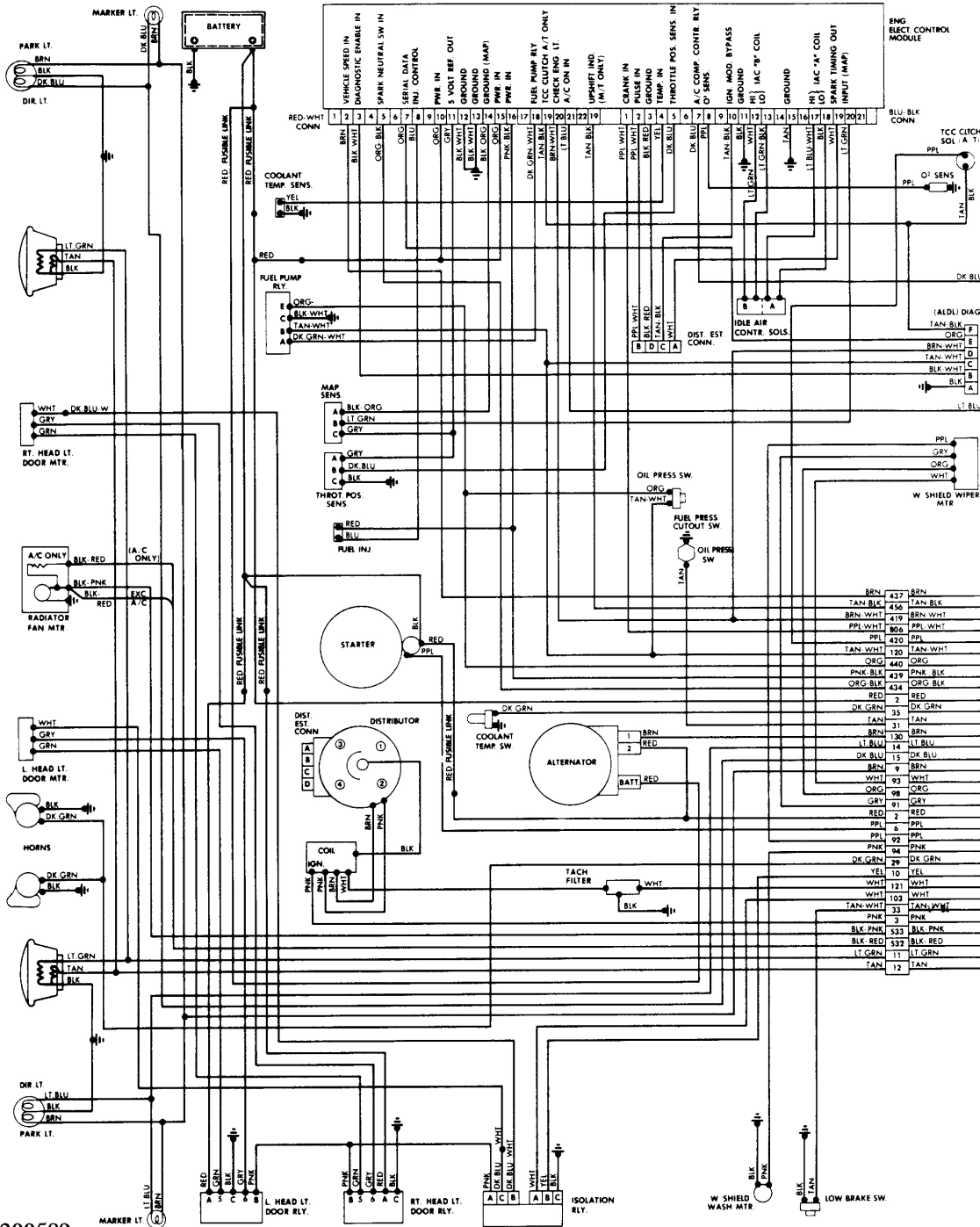
1984 Pontiac Fiero

WIRING DIAGRAMS 1984 Wiring Diagrams General Motors

WIRING DIAGRAMS

1984 Wiring Diagrams General Motors

IDENTIFICATION



200589

Fig. 1: Engine Compartment

LMK

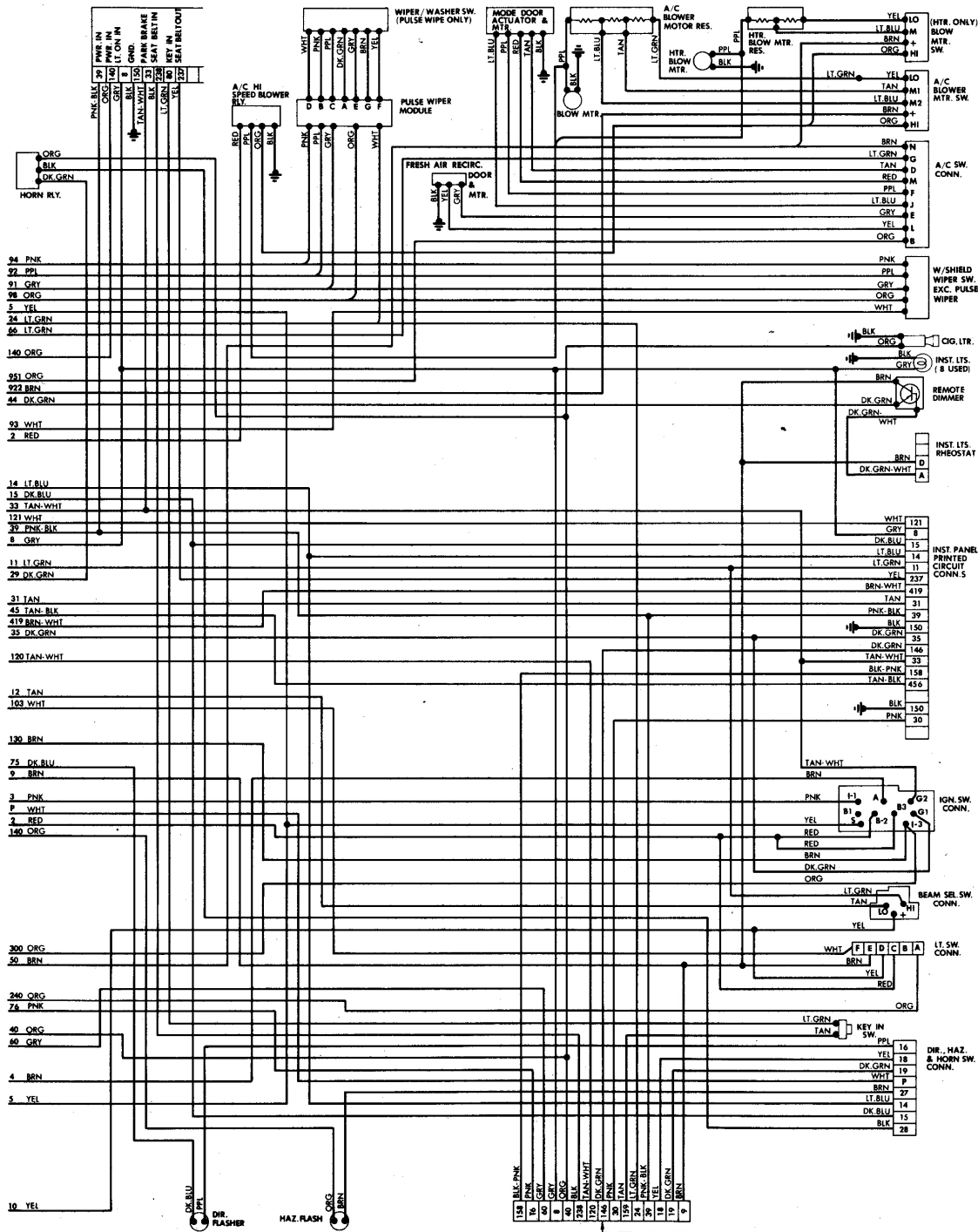
Tuesday, October 25, 2005 8:10:18 PM

Page 1

© 2004 Mitchell Repair Information Company, LLC.

1984 Pontiac Fiero

WIRING DIAGRAMS 1984 Wiring Diagrams General Motors

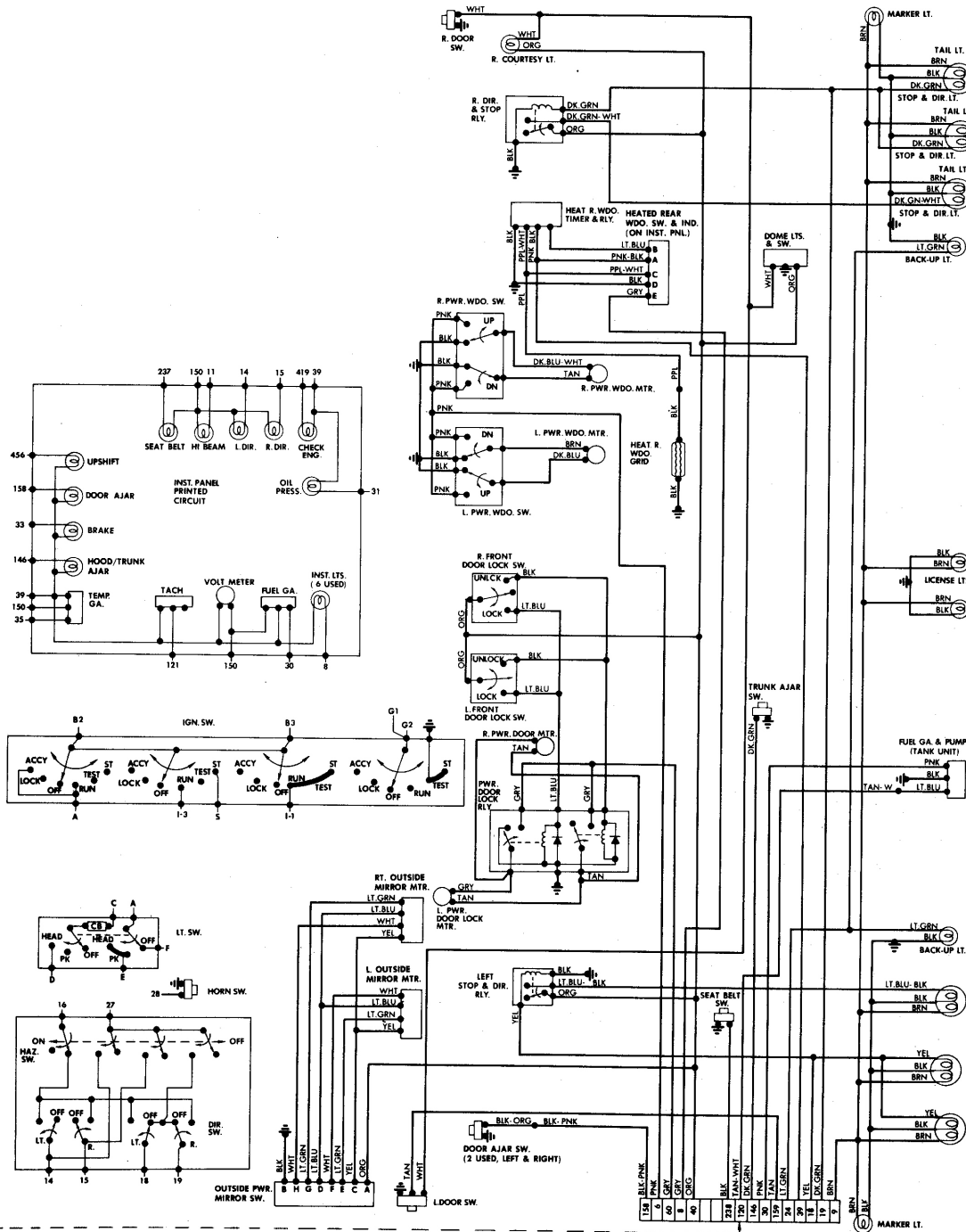


83229

Fig. 3: Underdash (Cont.) & Instrument Panel

1984 Pontiac Fiero

WIRING DIAGRAMS 1984 Wiring Diagrams General Motors



83230

Fig. 4: Rear Compartment & Accessories