

F6

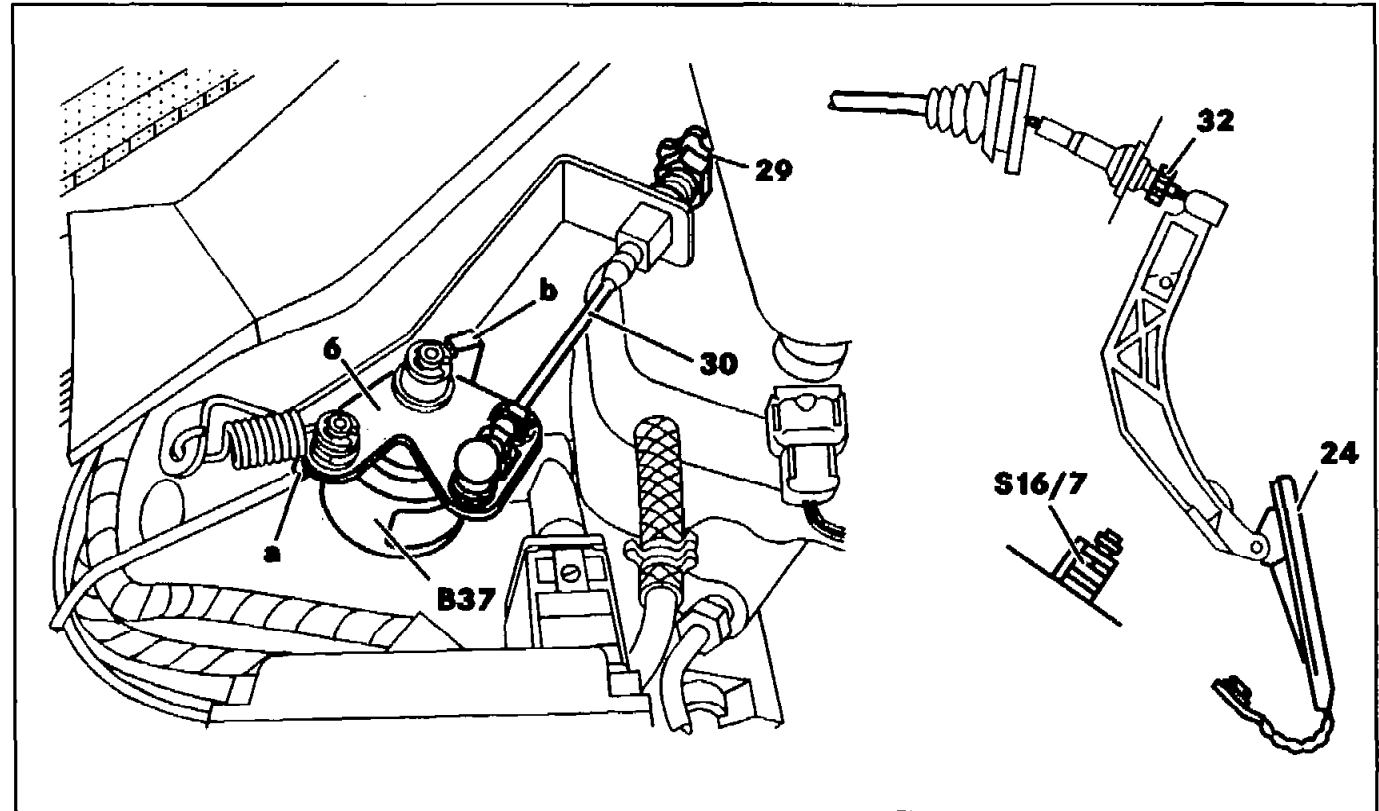
AR30.10-P-1010EC

Adjusting accelerator control

17.3.95

ENGINE 119.981/982/985

- 6 Accelerator control bell crank
- 24 Accelerator pedal
- 29 Adjusting nut
- 30 Bowden cable
- 32 Adjusting screw
- a Closed throttle stop
- b Wide open throttle stop
- B37 Pedal position sensor
- S16/7 Kickdown switch



P30.10-0243-05

Adjusting closed throttle position

1	Check closed throttle stop	Accelerator control bell crank (6) must be making contact with closed throttle stop (a) of the pedal position sensor (B37). Alter adjusting screw (32), if necessary.	
	Adjusting wide open throttle		
2	With engine switched off, depress accelerator pedal (24) from inside the car as far as the stop at kickdown switch (S16/7) (do not operate kickdown switch!)	i Accelerator control bell crank (6) must be making contact with wide open throttle stop (b) of the accelerator position sensor (B37). Alter adjusting nut (29), if necessary.	