



H6

AR30.12-P-1321D

Removing and installing accelerator pedal

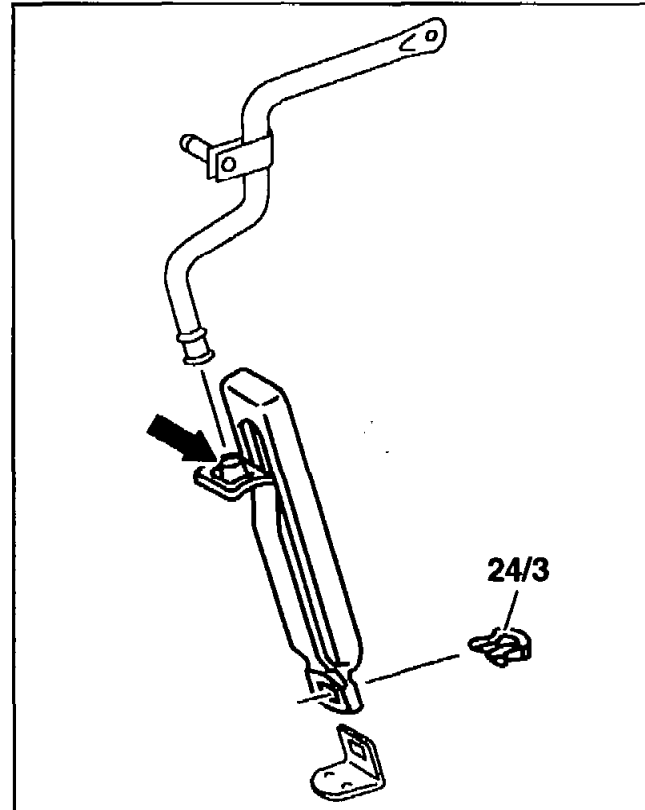
MODEL 124, 129, 140, 170, 202, 208, 210, 463, 461

Left-hand illustration

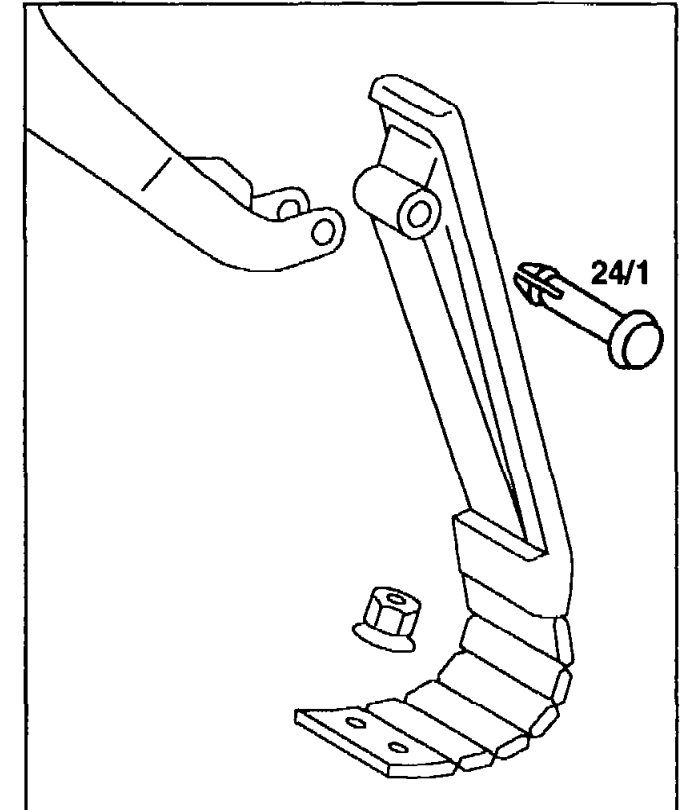
Model 124, 463, 461

Right-hand illustration

Model 129, 140, 170, 202, 208, 210



P30.10-0220-02



P30.10-0221-02

Fig. item, etc.	Work instructions		
24/3, 24/1	Expanding clip or expanding pin	expanding clip or expanding pin must lock securely in place	