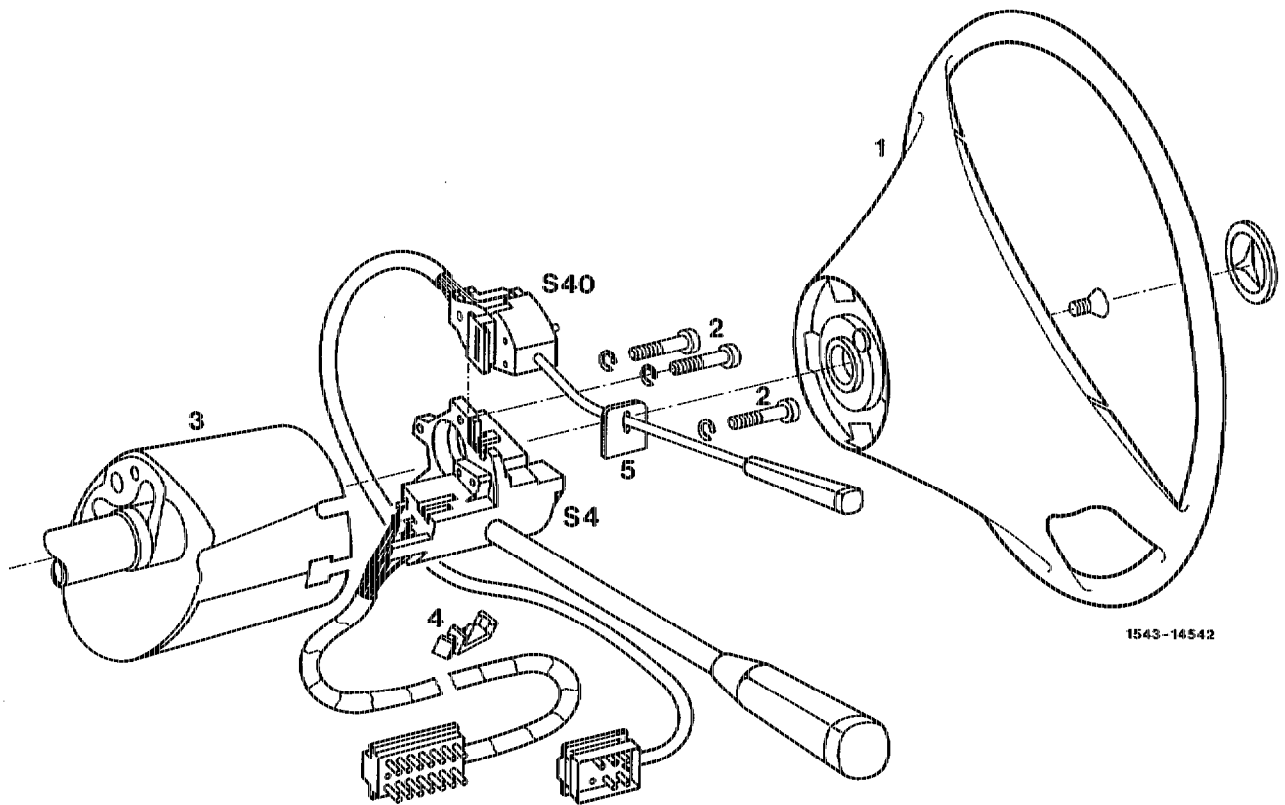


30-545 Removal and installation of pushbutton switch

Preceding work:
Driver's side cover under instrument panel removed
(68-150).

Operation no. of operation texts and work units or standard texts
and flat rates:

A. Model 124 up to June 93, models 129 and 140 up to February 93, 2nd version model 201 as of approx. mid April 84



Ground cable at battery disconnect, connect.

Vehicle with airbag

Airbag unit remove, install (91-660).
Observe safety regulations.

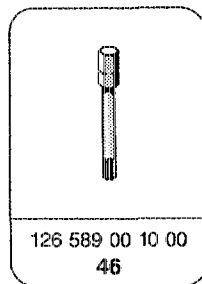
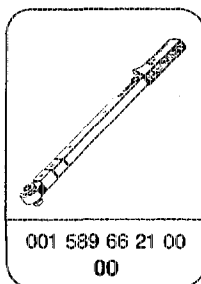
Steering wheel (1) remove, install (46-0610).

Cover plate of steering column tube	remove, install.
Plug for Tempomat/cruise control switch (S40) ..	disconnect, connect.
Fixing bolts (2)	unscrew, screw on.
Combination switch (S4) with Tempomat/cruise control switch (S40)	withdraw approx. 5 cm.
Cable holder (4)	unclip, clip in (deleted on model 129).
Tempomat/cruise control switch (S40)	detach, install at combination switch (S4).
Tempomat/cruise control switch (S40)	remove, install whilst pulling up steering column lining (3) on model 201.
Rubber grommet (5) at Tempomat/cruise control switch (S40)	remove, install.
Function test	perform on road.

Model 140 only

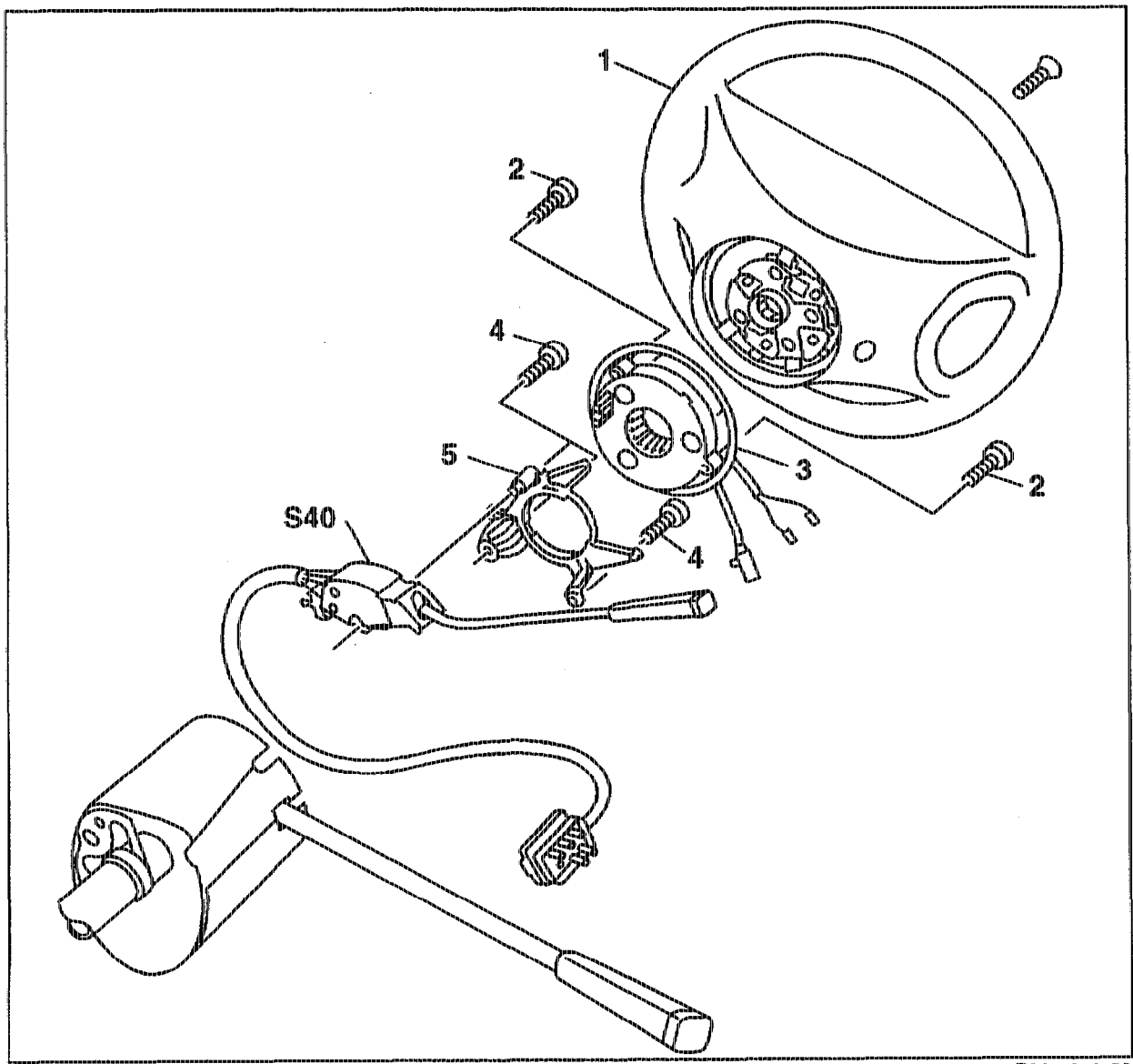
Every time the battery is disconnected and connected, standardize power windows (82-0605).

Special tools



B. Model 124 as of July 93, 129 and 140 as of March 93

Preceding work:
Driver's side cover under instrument panel
removed (68-150).



P30-5318-59

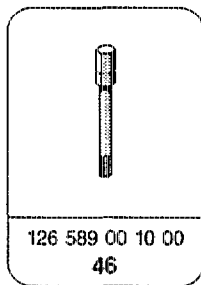
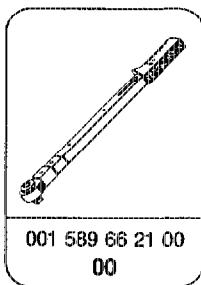
- | | |
|--|--|
| Airbag unit | remove, install (91-660). |
| Steering wheel (1) | Observe safety regulations!
remove, install (46-0610). |
| Plug for Tempomat/cruise control pushbutton switch (S40) | disconnect, connect. |
| Screws (2) of contact spiral (3) | unscrew, screw in. |
| Contact spiral (3) | remove, mount. |

Screws (4) of adapter (5)	unscrew, screw in.
Adapter (5)	remove, install.
Tempomat/cruise control pushbutton switch (S40)	remove, install.
Function test	perform on road.

Model 140 only

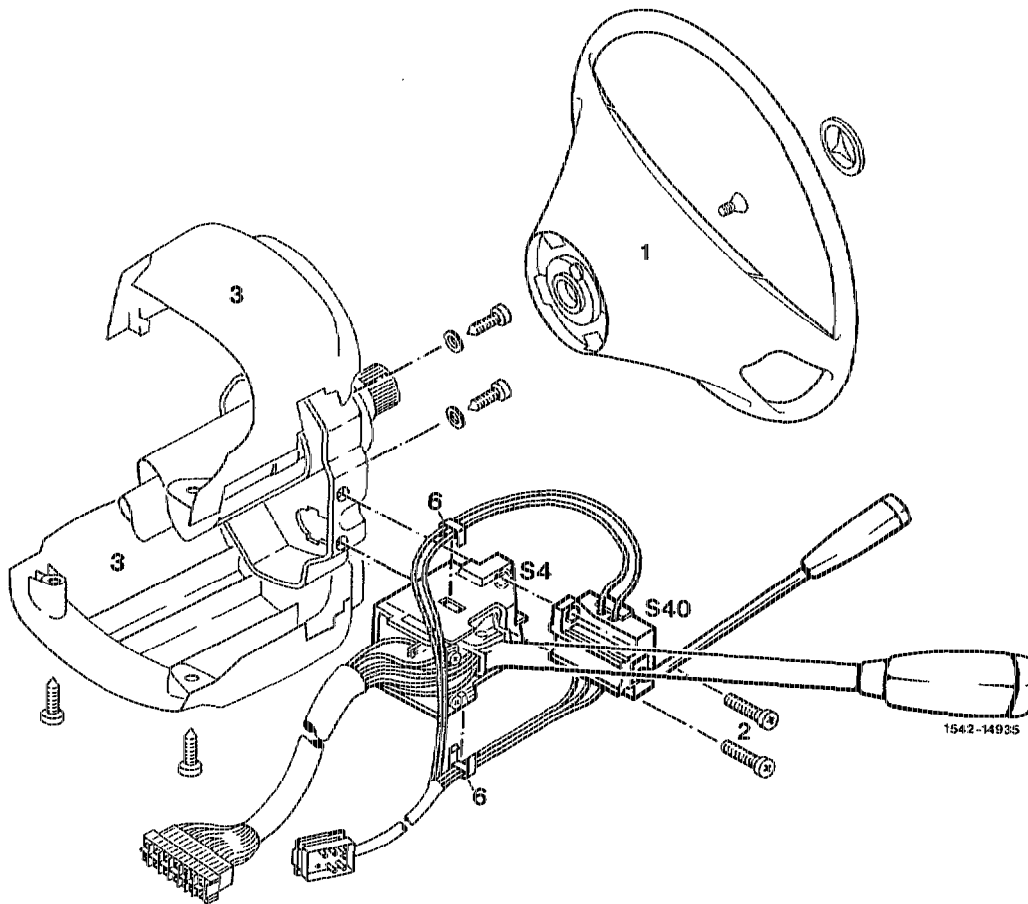
Every time the battery is disconnected and connected, standardize power windows (82-0605).

Special tools



C. 1st version model 201 up to approx. mid April 1984

Preceding work:
Cover on left or right below instrument panel
removed (68-150)



Battery	disconnect, connect.
Plug for Tempomat/cruise control switch (S40) ..	disconnect, connect.
Steering wheel (1)	remove, install (46-0610).
Steering column lining (3)	remove, install.
Clips (6) on combination switch (S4)	unclip, clip in.
Fixing bolts (2)	unscrew, screw on.
Tempomat/cruise control switch (S40)	remove, install.
Function check	perform on road.