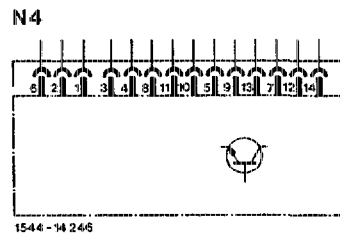


A. General

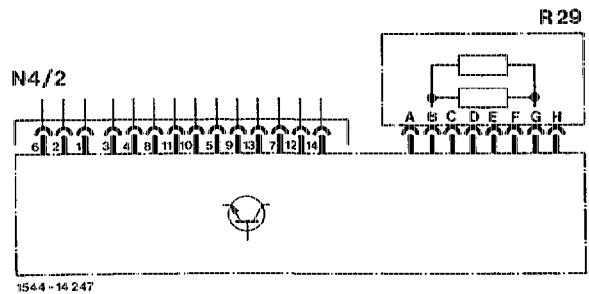
These repair instructions only include wiring diagrams for the models 124 and 201 up to 08/89 or model year 89. Wiring diagrams for models 129 and 140 as of 09/89 or model year 90, refer to the file "Electric wiring diagrams".

A new cruise control amplifier with reference resistor is installed in the models 201.029/128. On the other models it will be phased in.

The new cruise control amplifier has no influence on the cabling and therefore also not on the wiring diagrams.

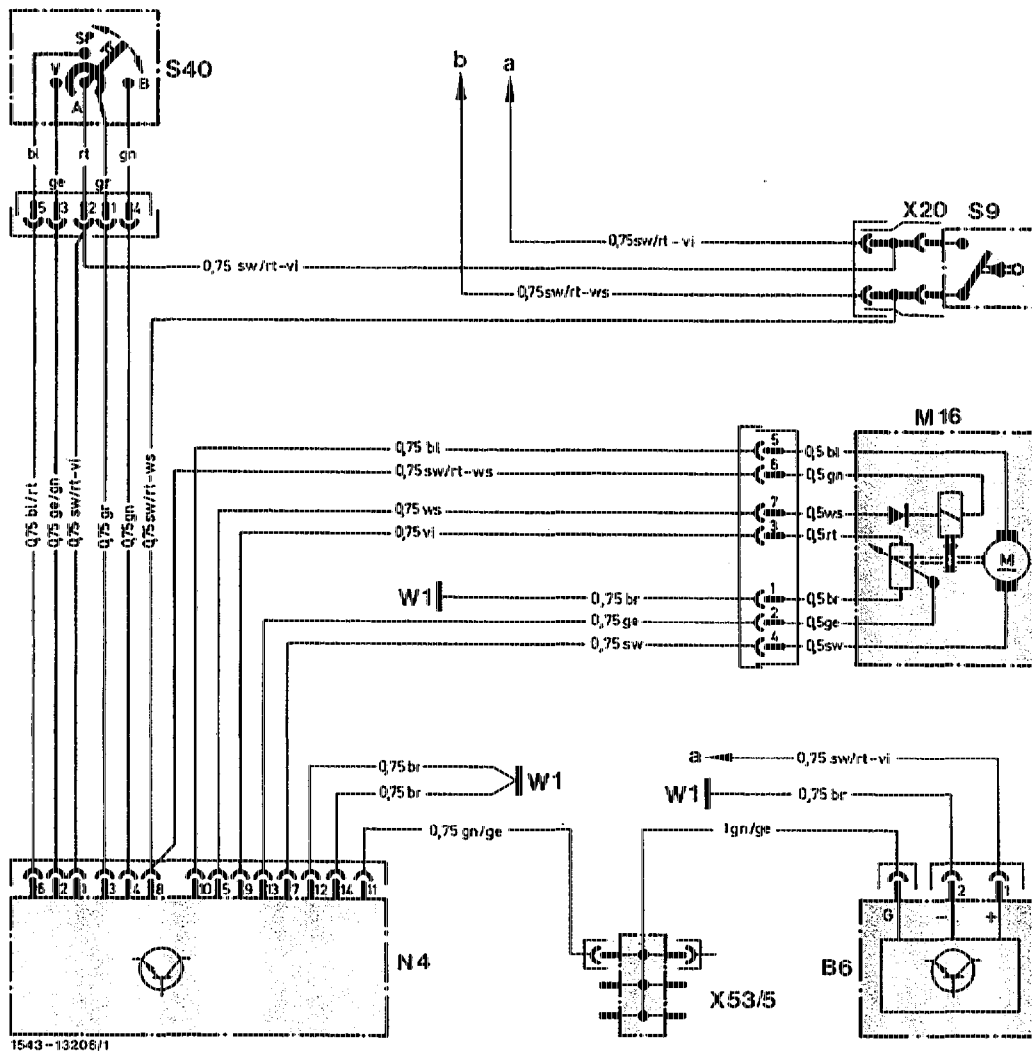


N4 Cruise control amplifier



N4/2 Cruise control amplifier with reference resistor
R29 Cruise control reference resistor

B. Model 124 with automatic transmission



1543-13205/1

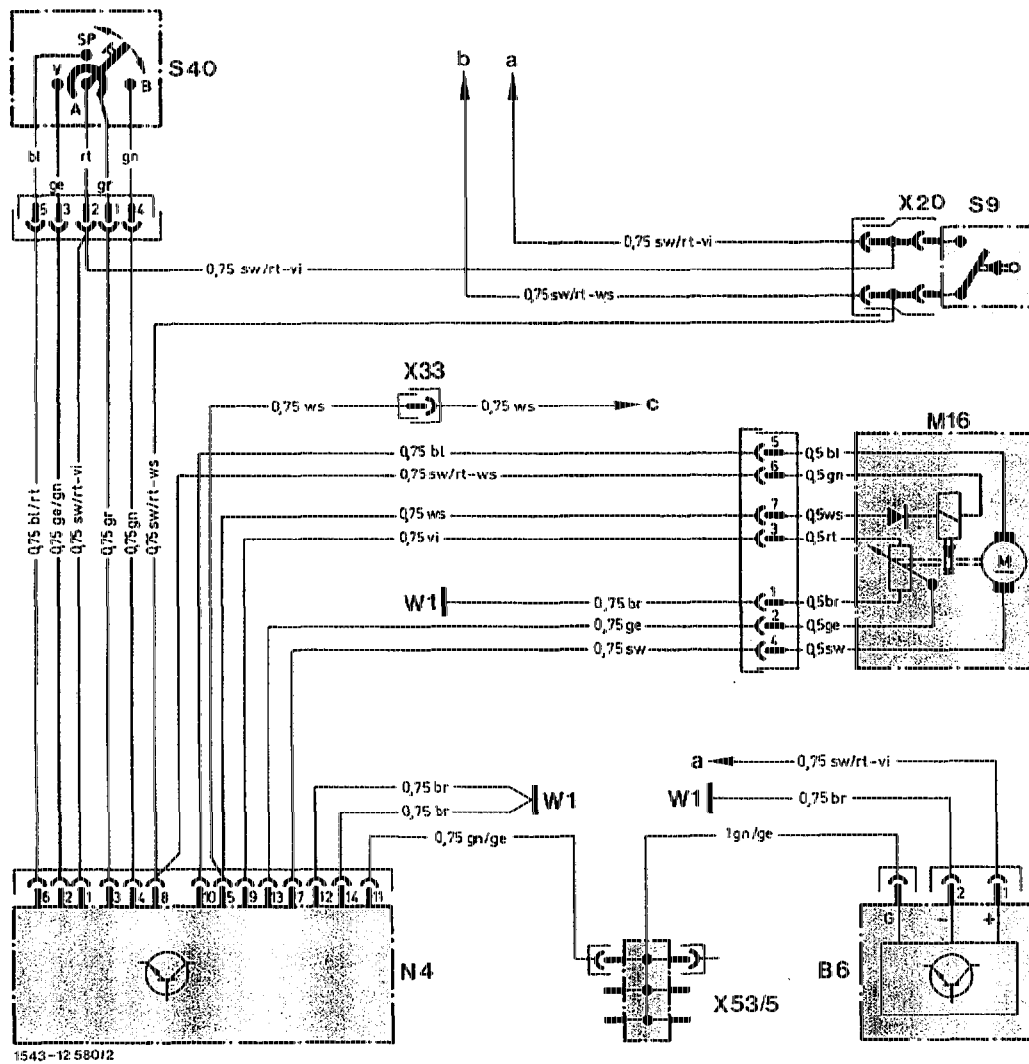
Models

124.020/080/120/180, 124.125/130 up to vehicle ident. end no. A 087383 (except )

124.133/193/333/393 up to approx. 08/88

B6	Hall-effect speed sensor	W1	Main ground (behind instrument cluster)
M16	Cruise control actuator	X20	Connector, stop lamp switch
N4	Cruise control amplifier	X53/5	Multipoint connector, Hall-effect sensor
S9	Stop lamp switch	a	On fuse 5 terminal 15
S40	Cruise control switch	b	On N7 lamp monitoring device, line-up 15
	V Decelerate/set		
	B Accelerate/set		
	SB Resume		
	A Off		



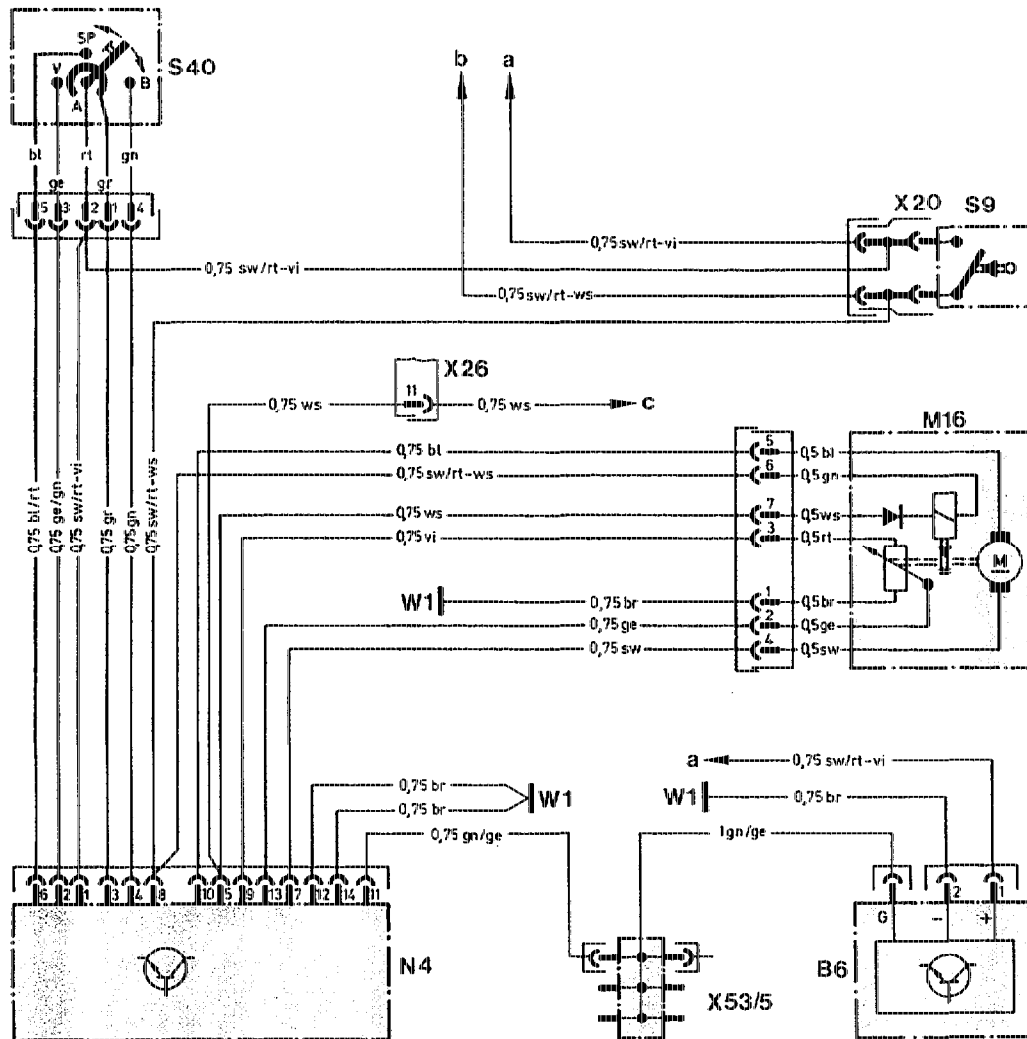


1543-12 58012

Models 124.023/026/03 up to approx. end of 08/85

B6	Hall-effect speed sensor	W1	Main ground (behind instrument cluster)
M16	Cruise control actuator	X20	Connector, stop lamp switch
N4	Cruise control amplifier	X33	Connector, CIS-E/cruise control (1 pole)
S9	Stop lamp switch	X53/5	Multipoint connector, Hall-effect sensor
S40	Cruise control switch	a	On fuse 5 terminal 15
	V Decelerate/set	b	On N7 lamp monitoring device, line-up 15
	B Accelerate/set	c	On N3 control unit injection system line-up 6
	SB Resume		
	A Off		





1543-13207

Models

124.021/23 as of approx. 09/85 RÜF/CAT up to approx. 08/88,

124.026/03 as of approx. 09/85 RÜF/CAT up to approx. 08/87,

124.043/083 RÜF/CAT up to approx. 08/88, 124.090 and 124.2 RÜF/CAT up to approx. 08/87

B6 Hall-effect speed sensor

M16 Cruise control actuator

N4 Cruise control amplifier

S9 Stop lamp switch

S40 Cruise control switch

V Decelerate/set

B Accelerate/set

SB Resume

A Off

W1 Main ground (behind instrument cluster)

X20 Connector, stop lamp switch

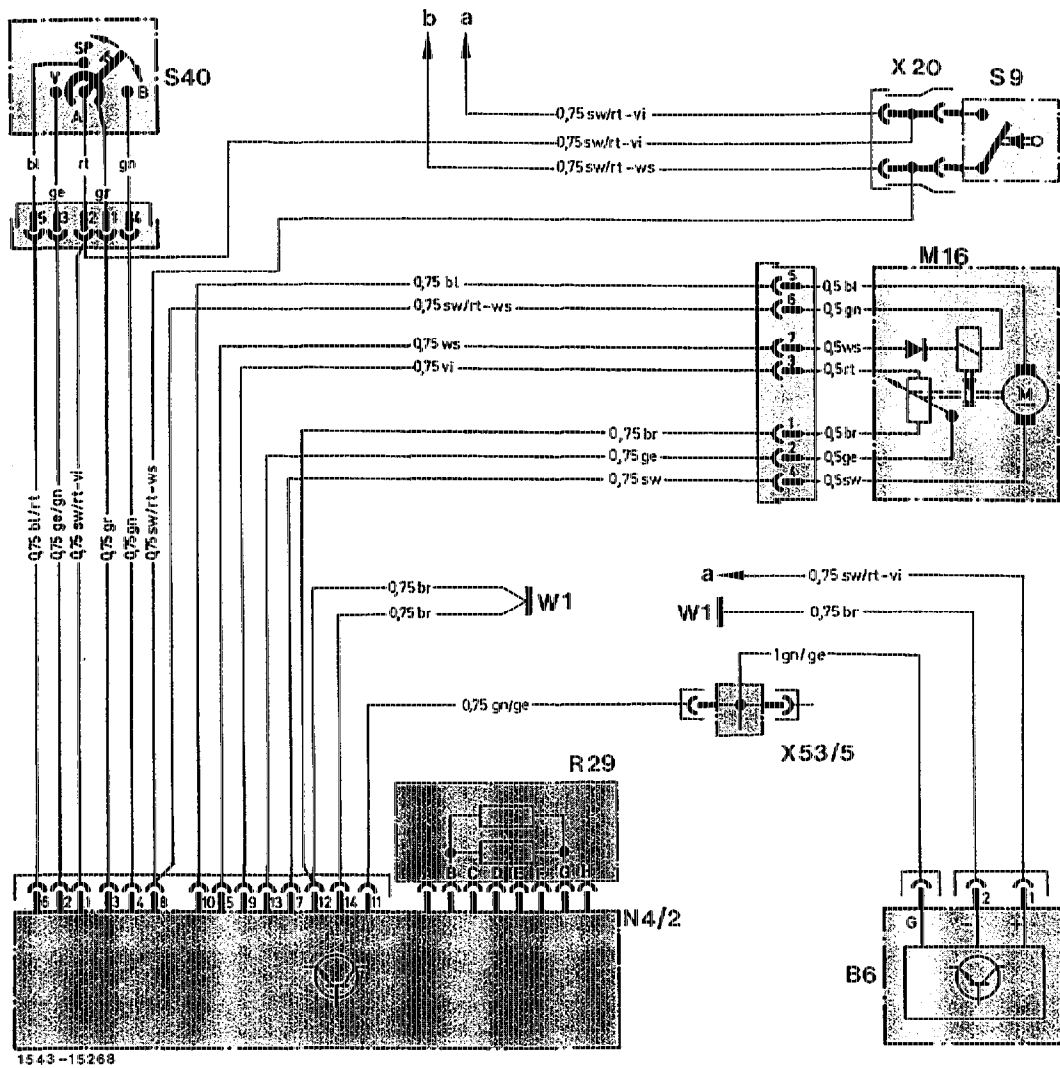
X26 Connector interior/engine, 12-pole

X53/5 Multipoint connector, Hall-effect sensor

a On fuse 5 terminal 15

b On N7 lamp monitoring device, line-up 15

c On N3 control unit injection system line-up 6



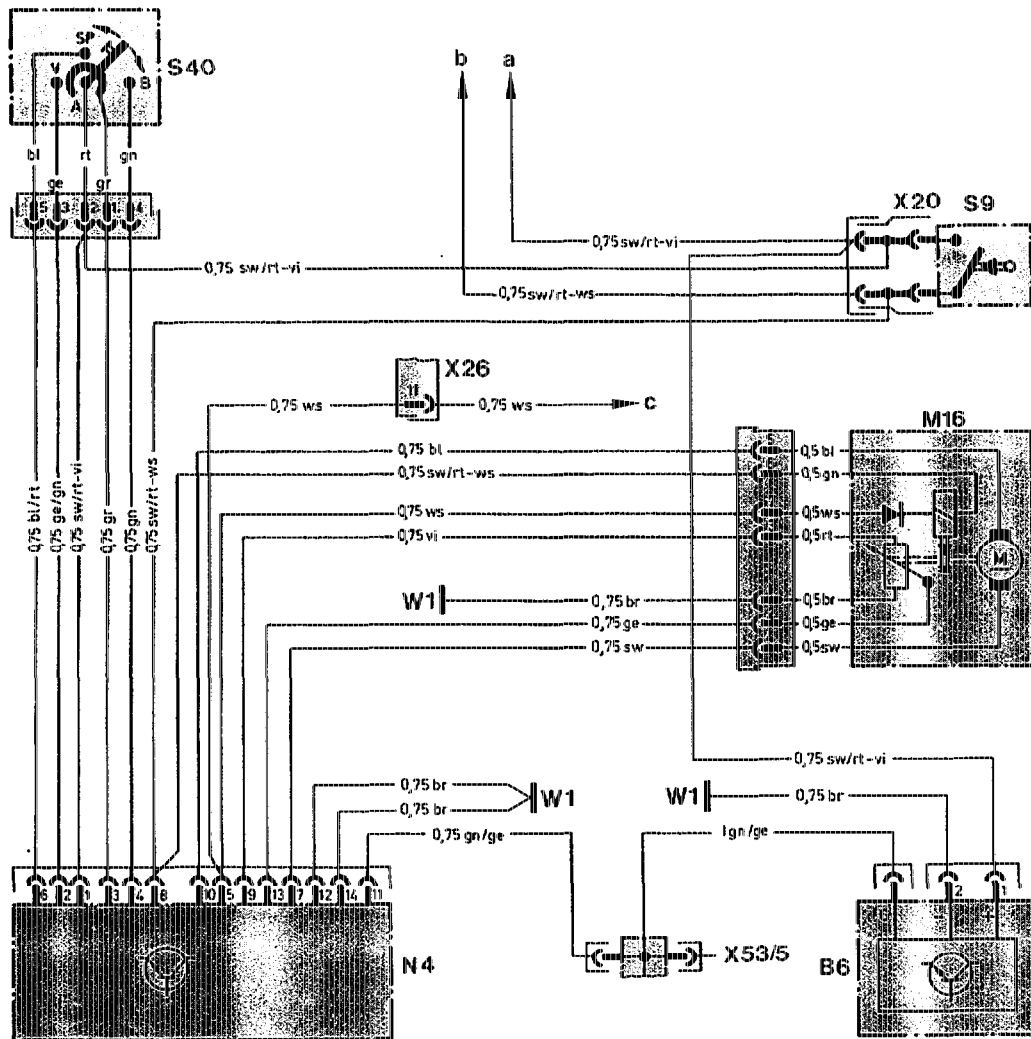
1543-15268

Models

124.021/023/043/083 RÜF/CAT as of approx. 09/88, 124.026/03/09 and 124.2 RÜF/CAT as of approx. 09/87, 124.128/133/193/333/393 as of approx. 09/88 up to 08/89

B6	Hall-effect speed sensor	W1	Main ground (behind instrument cluster)
M16	Cruise control actuator	X20	Connector, stop lamp switch
N4/2	Cruise control amplifier with reference resistor	X53/5	Multipoint connector, Hall-effect sensor
R29	Cruise control reference resistor	a	On fuse 5 terminal 15
S9	Stop lamp switch	b	On N7 lamp monitoring device, line-up 15
S40	Cruise control switch		
	V Decelerate/set		
	B Accelerate/set		
	SB Resume		
	A Off		





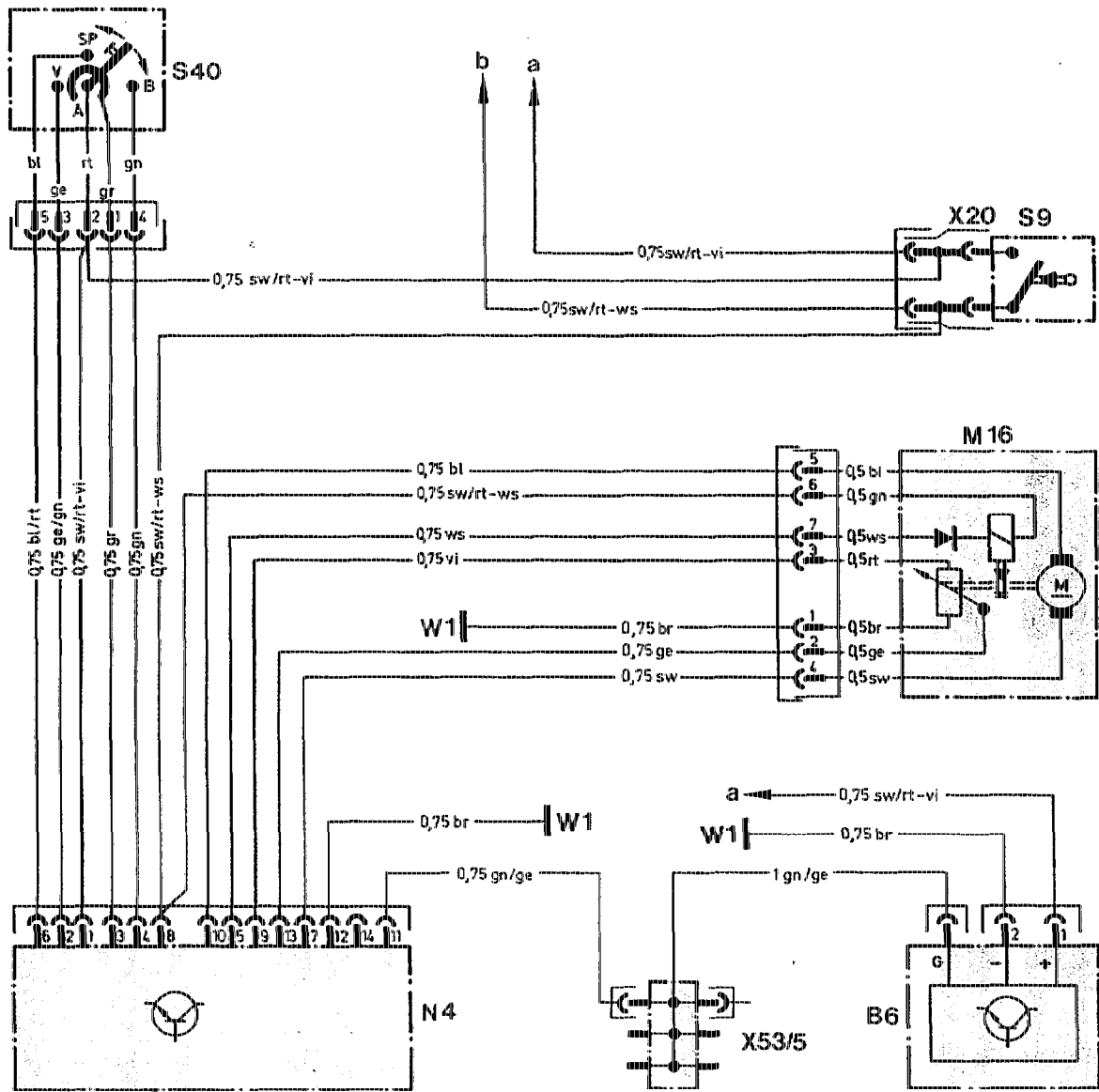
1543-15 431

Models 124.026/030 (USA) 1986, 1987

- B6 Hall-effect speed sensor
- M16 Cruise control actuator
- N4 Cruise control amplifier
- S9 Stop lamp switch
- S40 Cruise control switch
 - V Decelerate/set
 - B Accelerate/set
 - SB Resume
 - A Off

- W1 Main ground (behind instrument cluster)
- X20 Connector, stop lamp switch
- X26 Connector interior/engine, 12-pole
- X53/5 Multipoint connector, Hall-effect sensor
- a On fuse 5 terminal 15
- b On N7 lamp monitoring device, line-up 15
- c On N3 control unit injection system line-up 6



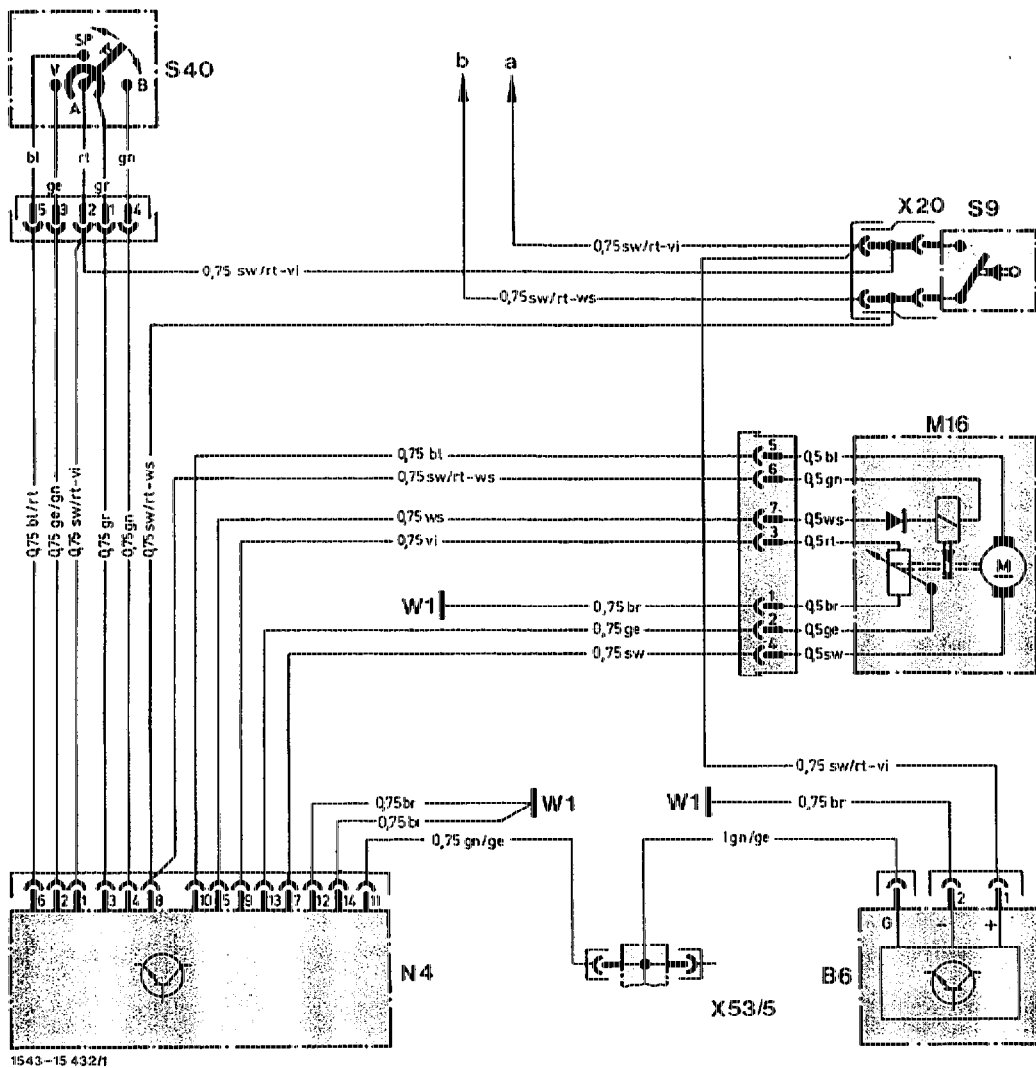


1543-12 579/3

Models 124.125/130 as of vehicle ident. end no. A 187384 and models 124.185/190/330

- | | | | |
|-----|--------------------------|-------|--|
| B6 | Hall-effect speed sensor | W1 | Main ground (behind instrument cluster) |
| M16 | Cruise control actuator | X20 | Connector, stop lamp switch |
| N4 | Cruise control amplifier | X53/5 | Multipoint connector, Hall-effect sensor |
| S9 | Stop lamp switch | a | On fuse 5 terminal 15 |
| S40 | Cruise control switch | b | On N7 lamp monitoring device, line-up 15 |
| V | Decelerate/set | | |
| B | Accelerate/set | | |
| SB | Resume | | |
| A | Off | | |





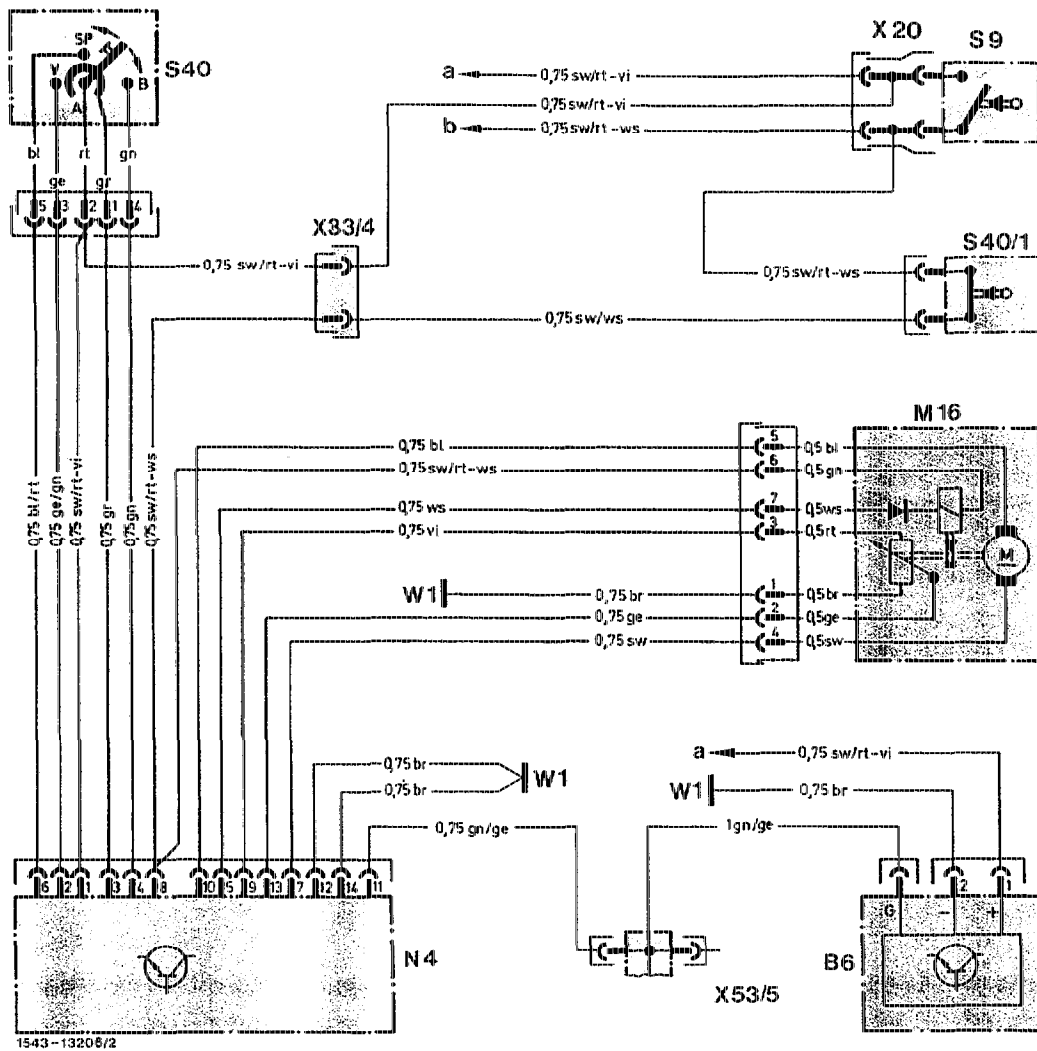
1543-15 432/1

Models 124.133/193 (USA) 1987

- B6 Hall-effect speed sensor
- M16 Cruise control actuator
- N4 Cruise control amplifier
- S9 Stop lamp switch
- S40 Cruise control switch
 - V Decelerate/set
 - B Accelerate/set
 - SB Resume
 - A Off

- W1 Main ground (behind instrument cluster)
- X20 Connector, stop lamp switch
- X53/5 Multipoint connector, Hall-effect sensor
- a On fuse 5 terminal 15
- b On N7 lamp monitoring device, line-up 15

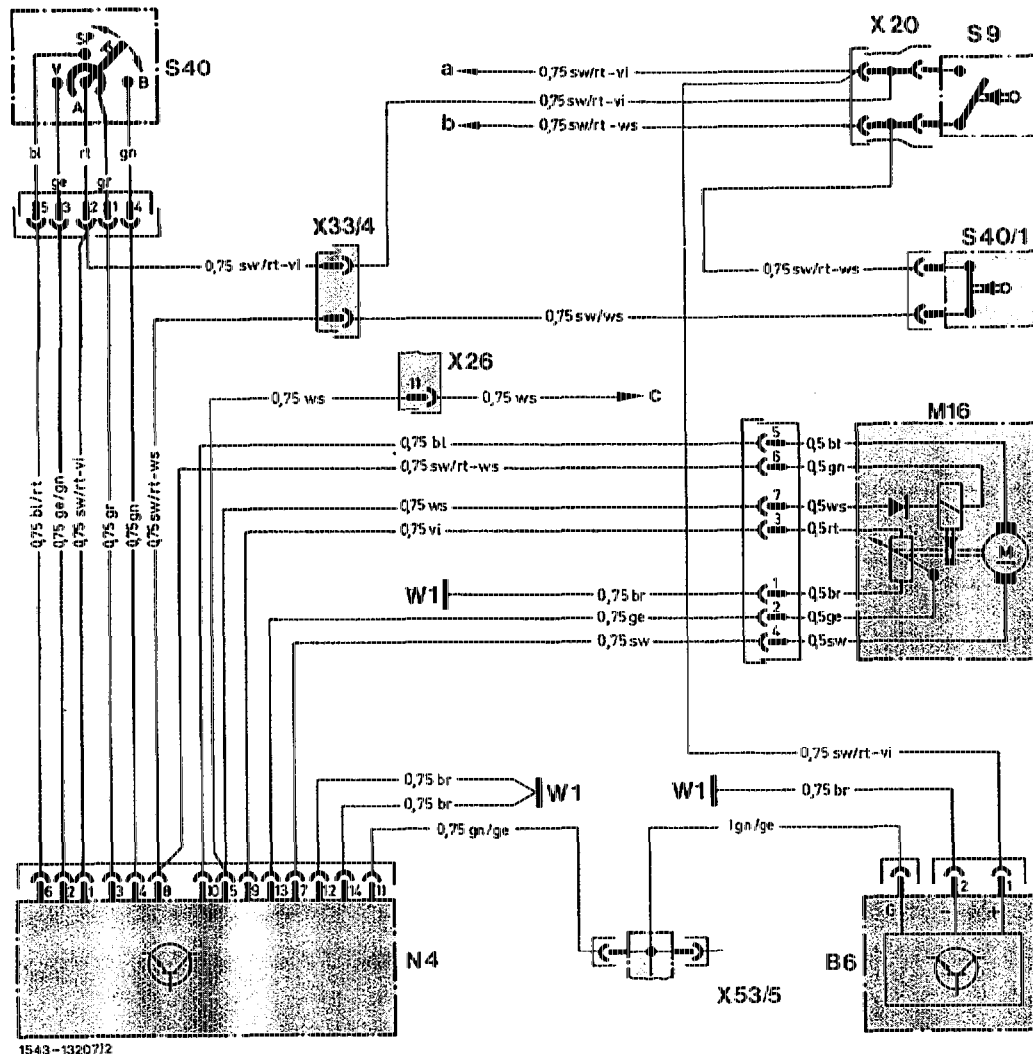
C. Model 124 with manual transmission



1543-13206/2

Model 124.020 (ZA)

B6	Hall-effect speed sensor	W1	Main ground (behind instrument cluster)
M16	Cruise control actuator	X20	Connector, stop lamp switch
N4	Cruise control amplifier	X33/4	Connector, cruise control (manual transmission, 2-pole)
S9	Stop lamp switch	X53/5	Multipoint connector, Hall-effect sensor
S40	Cruise control switch	a	On fuse 5 terminal 15
V	Decelerate/set	b	On N7 lamp monitoring device, line-up 15
B	Accelerate/set		
SB	Resume		
A	Off		
S40/1	Clutch pedal switch (cruise control)		



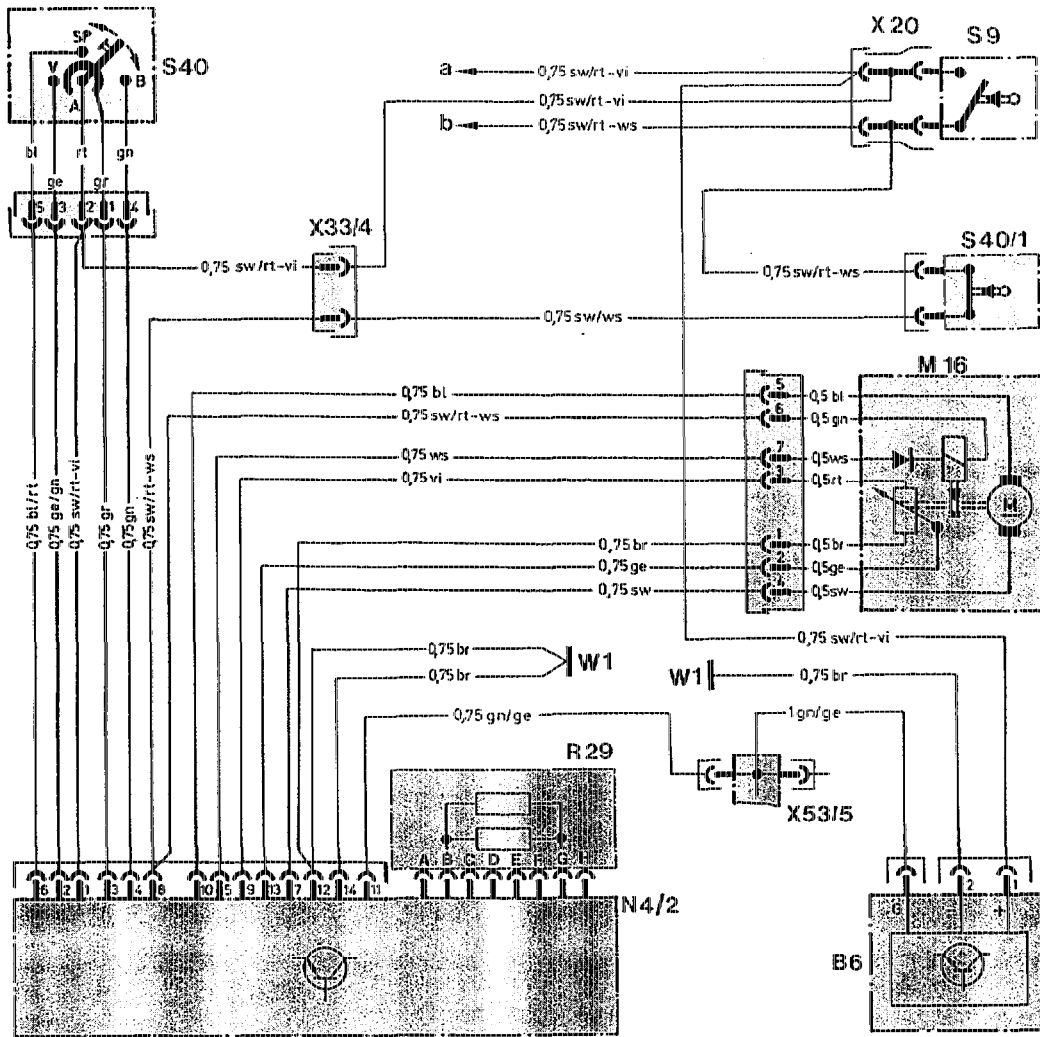
1543-1320712

Model 124.026/030 (USA) 1986, 1987

- B6 Hall-effect speed sensor
- M16 Cruise control actuator
- N4 Cruise control amplifier
- S9 Stop lamp switch
- S40 Cruise control switch
 - V Decelerate/set
 - B Accelerate/set
 - SB Resume
 - A Off
- S40/1 Clutch pedal switch (cruise control)

- W1 Main ground (behind instrument cluster)
- X20 Connector, stop lamp switch
- X26 Connector interior/engine, 12-pole
- X33/4 Connector, cruise control (manual transmission, 2-pole)
- X53/5 Multipoint connector, Hall-effect sensor
 - a On fuse 5 terminal 15
 - b On N7 lamp monitoring device, line-up 15
 - c On N3 control unit injection system line-up 6



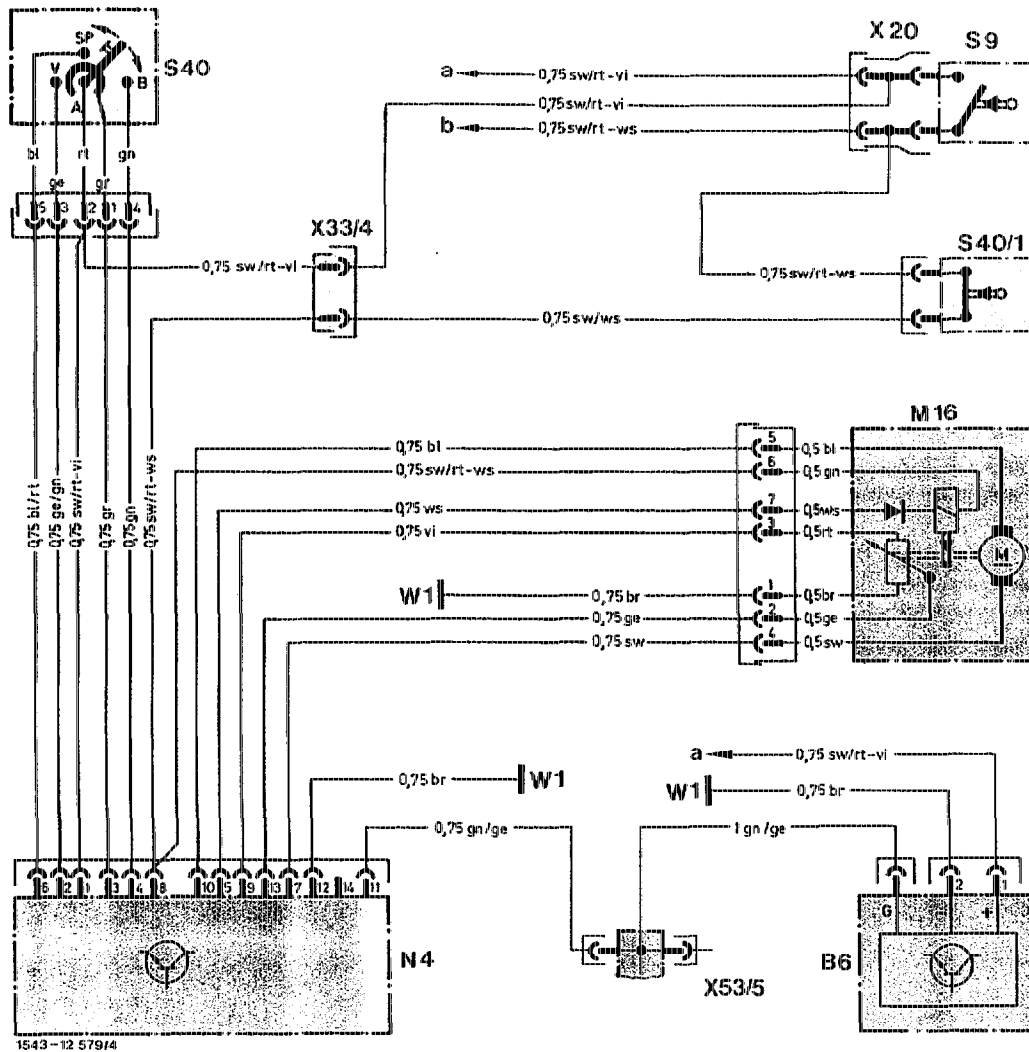


1543 - 15269/1

Model 124.026/030 (USA) 1988

- B6 Hall-effect speed sensor
- M16 Cruise control actuator
- N4/2 Cruise control amplifier with reference resistor
- R29 Cruise control reference resistor
- S9 Stop lamp switch
- S40 Cruise control switch
 - V Decelerate/set
 - B Accelerate/set
 - SB Resume
 - A Off
- S40/1 Clutch pedal switch (cruise control)

- W1 Main ground (behind instrument cluster)
- X20 Connector, stop lamp switch
- X26 Connector interior/engine, 12-pole
- X33/4 Connector, cruise control (manual transmission, 2-pole)
- X53/5 Multipoint connector, Hall-effect sensor
 - a On fuse 5 terminal 15
 - b On N7 lamp monitoring device, line-up 15
 - c On N3 control unit injection system line-up 6



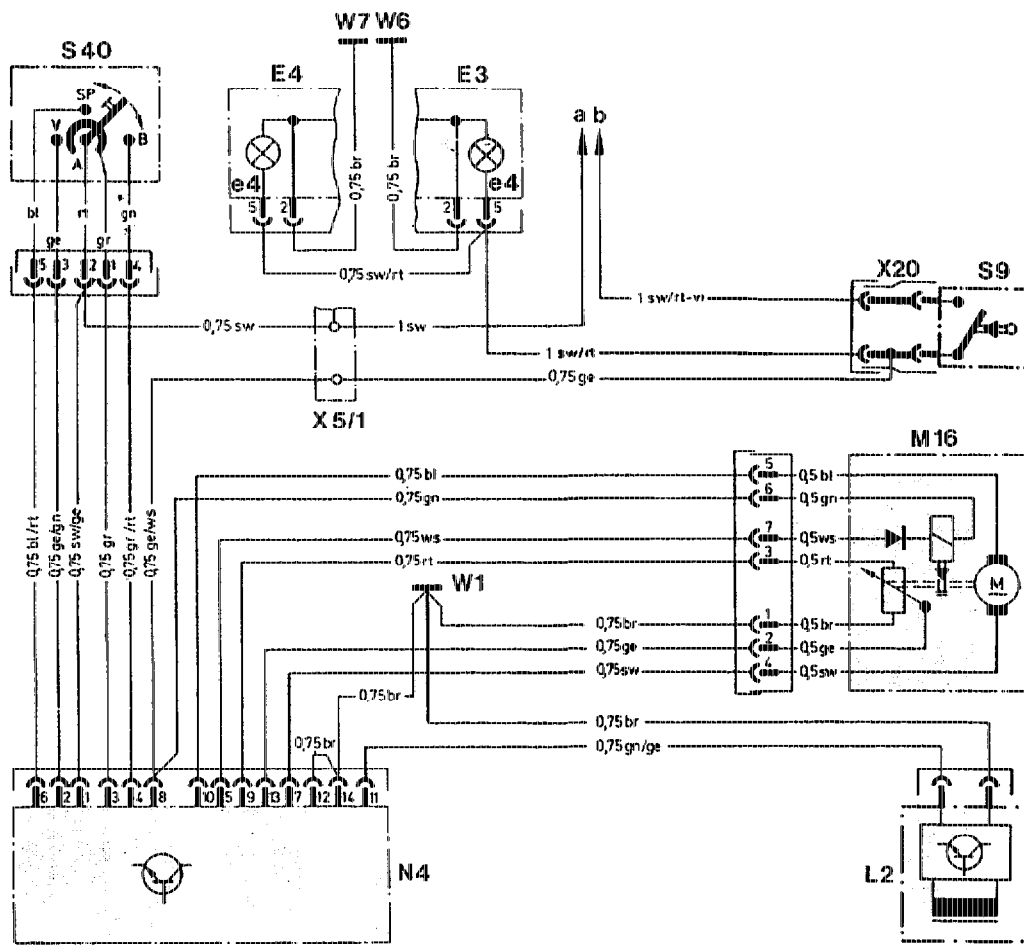
Model 124.130 (ZA)

- B6 Hall-effect speed sensor
- M16 Cruise control actuator
- N4 Cruise control amplifier
- S9 Stop lamp switch
- S40 Cruise control switch
 - V Decelerate/set
 - B Accelerate/set
 - SB Resume
 - A Off
- S40/1 Clutch pedal switch (cruise control)

- W1 Main ground (behind instrument cluster)
- X20 Connector, stop lamp switch
- X33/4 Connector, cruise control (manual transmission, 2-pole)
- X53/5 Multipoint connector, Hall-effect sensor
- a On fuse 5 terminal 15
- b On N7 lamp monitoring device, line-up 15



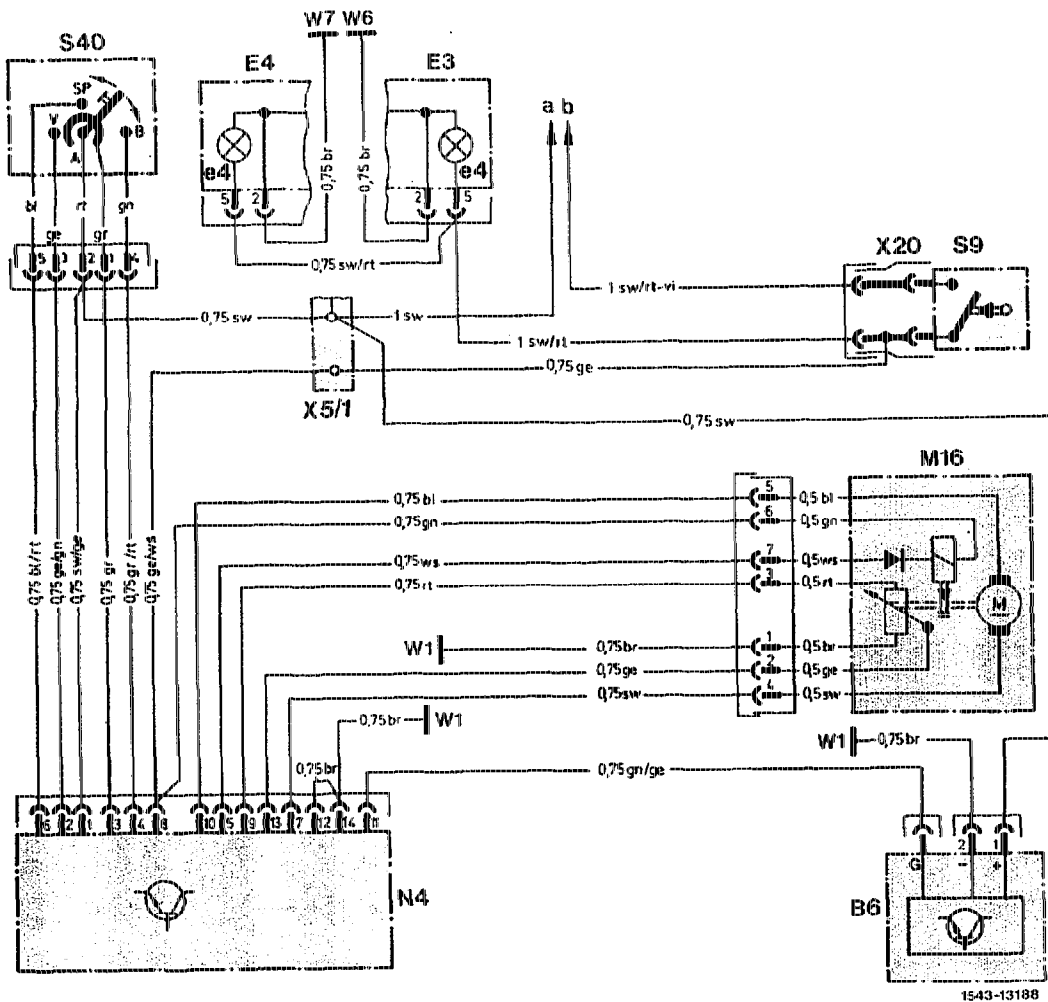
D. Model 201 with carburetor



1543-13 286

Model 201.022/023 up to approx. 08/85

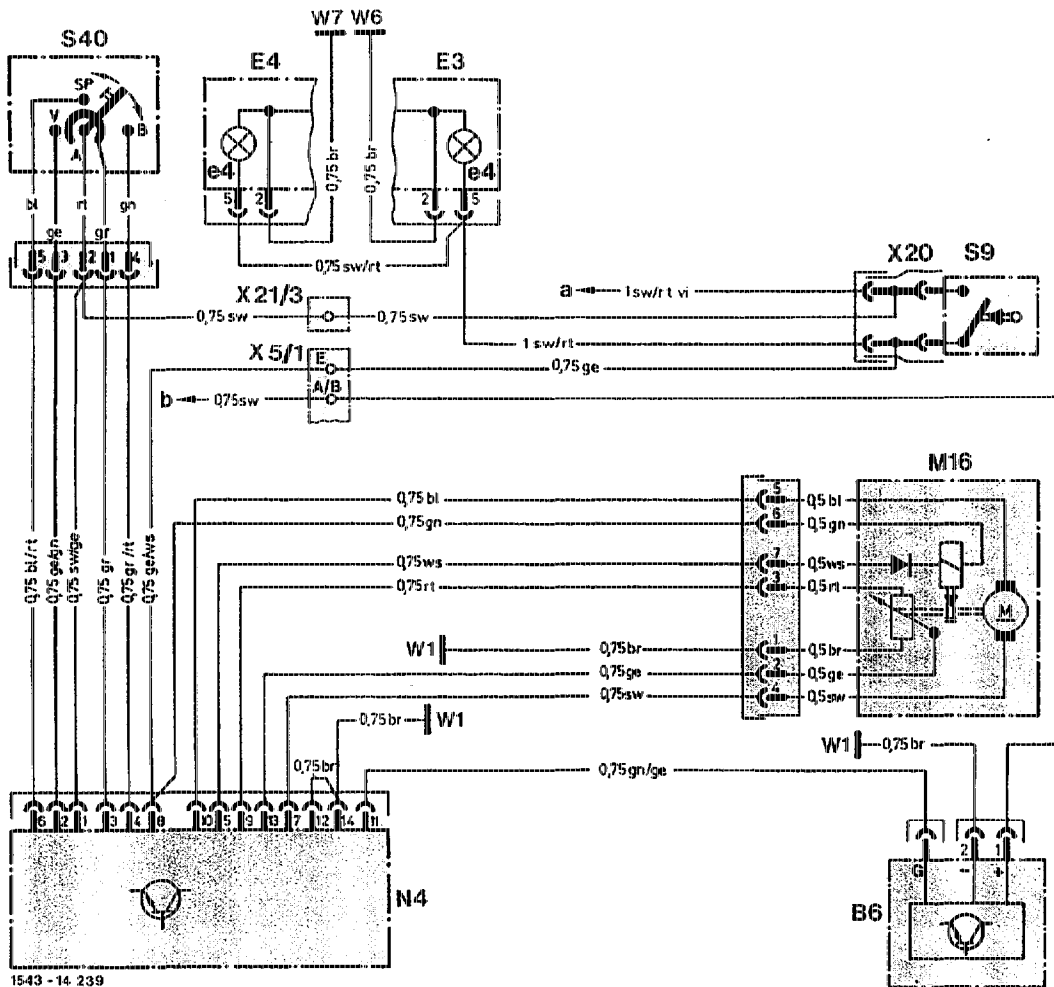
E3	Left tail lamp unit	W1	Main ground (behind instrument cluster)
E3e4	Stop lamp	W6	Ground, left rear wheelhouse in trunk
E4	Right tail lamp unit	W7	Ground, right rear wheelhouse in trunk
E4e4	Stop lamp	X5/1	Terminal block, interior (5-pole)
L2	Road speed sensor	X20	Connector, stop lamp switch
M16	Cruise control actuator	a	On electrical center, coupling field L, line-up 1
N4	Cruise control amplifier	b	On electrical center, coupling field C, line-up 1
S9	Stop lamp switch		
S40	Cruise control switch		
V	Decelerate/set		
B	Accelerate/set		
SB	Resume		
A	Off		



1543-13188

Model 201.023 as of 09/85 up to vehicle ident. end no. A 313825/F 229814

B6	Hall-effect speed sensor	W1	Main ground (behind instrument cluster)
E3	Left tail lamp unit	W6	Ground, left rear wheelhouse in trunk
E3e4	Stop lamp	W7	Ground, right rear wheelhouse in trunk
E4	Right tail lamp unit	X5/1	Terminal block, interior (5-pole)
E4e4	Stop lamp	X20	Connector, stop lamp switch
M16	Cruise control actuator	a	On electrical center, coupling field L, line-up 1
N4	Cruise control amplifier	b	On electrical center, coupling field C, line-up 1
S9	Stop lamp switch		
S40	Cruise control switch		
V	Decelerate/set		
B	Accelerate/set		
SB	Resume		
A	Off		

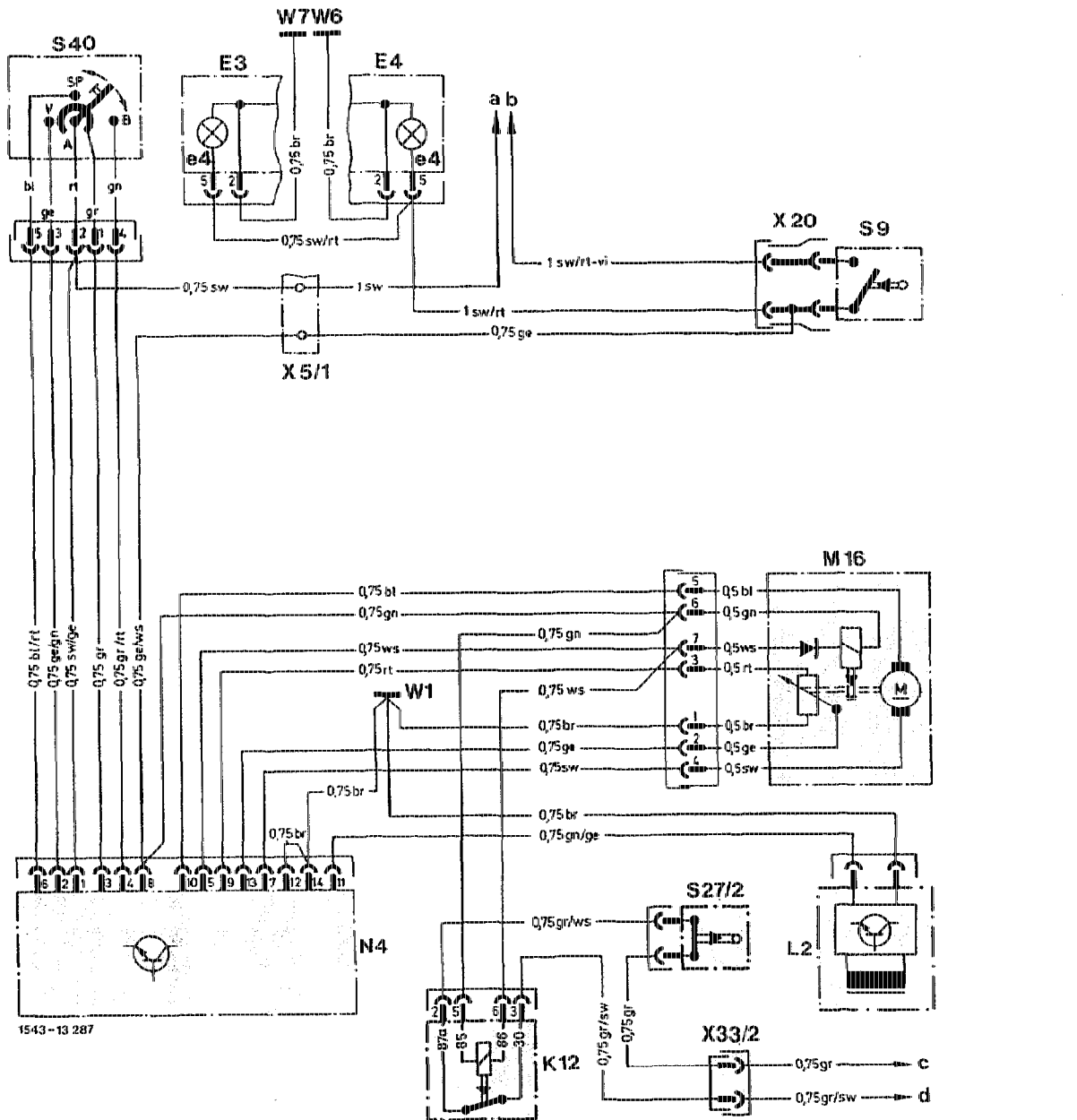


1543 - 14 239

Model 201.023 as of vehicle ident. end no. A 313826/F 229815
up to vehicle ident. end no. A 384359/F 286572

B6	Hall-effect speed sensor	W1	Main ground (behind instrument cluster)
E3	Left tail lamp unit	W6	Ground, left rear wheelhouse in trunk
E3e4	Stop lamp	W7	Ground, right rear wheelhouse in trunk
E4	Right tail lamp unit	X5/1	Terminal block, interior (5-pole) A/B ident. colour, black E ident. colour yellow
E4e4	Stop lamp	X20	Connector, stop lamp switch
M16	Cruise control actuator	X21/3	Terminal block, stop lamp switch/cruise control (1-pole)
N4	Cruise control amplifier	a	On electrical center, coupling field L, line-up 1
S9	Stop lamp switch	b	On electrical center, coupling field C, line-up 1
S40	Cruise control switch		
V	Decelerate/set		
B	Accelerate/set		
SB	Resume		
A	Off		

E. Model 201 with CIS-E injection engine and automatic transmission



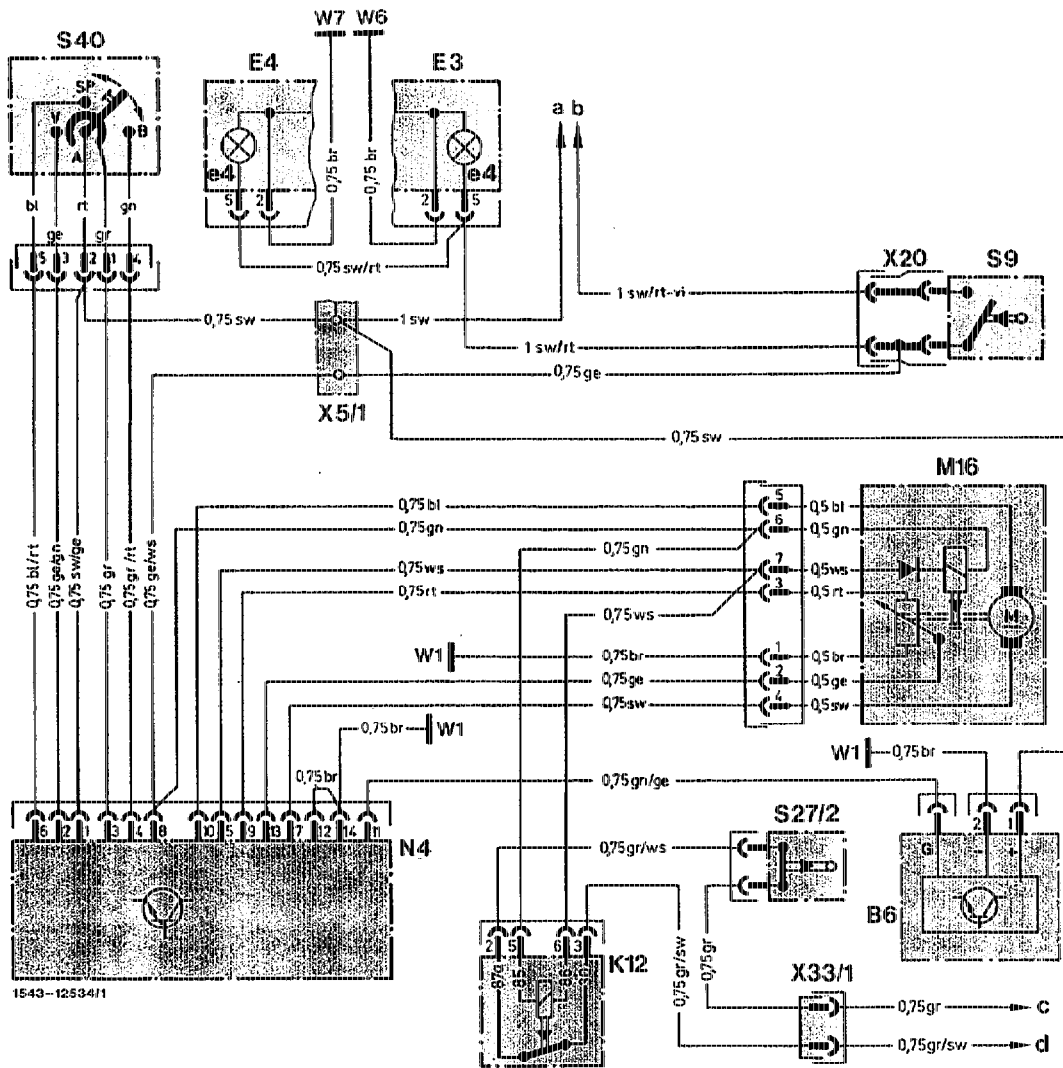
Model 201.024 up to approx. 08/85,

except: (USA) (J), vehicles with air conditioning system as of approx. 10/84,

vehicles with RUF or CAT

E3	Left tail lamp unit
E3e4	Stop lamp
E4	Right tail lamp unit
E4e4	Stop lamp
L2	Road speed sensor
M16	Cruise control actuator
N4	Cruise control amplifier
K12	Deceleration fuel shut-off/cruise control relay
S9	Stop lamp switch
S27/2	Deceleration shut-off microswitch
S40	Cruise control switch
V	Decelerate/set
B	Accelerate/set
SB	Resume
A	Off

W1	Main ground (behind instrument cluster)
W6	Ground, left rear wheelhouse in trunk
W7	Ground, right rear wheelhouse in trunk
X5/1	Terminal block, interior (5-pole)
X20	Connector, stop lamp switch
X33/2	Connector, CIS-E/cruise control (2-pole)
a	On electrical center, coupling field L, line-up 1
b	On electrical center, coupling field C, line-up 1
c	On throttle valve switch
d	On CIS-E control unit, line-up 13

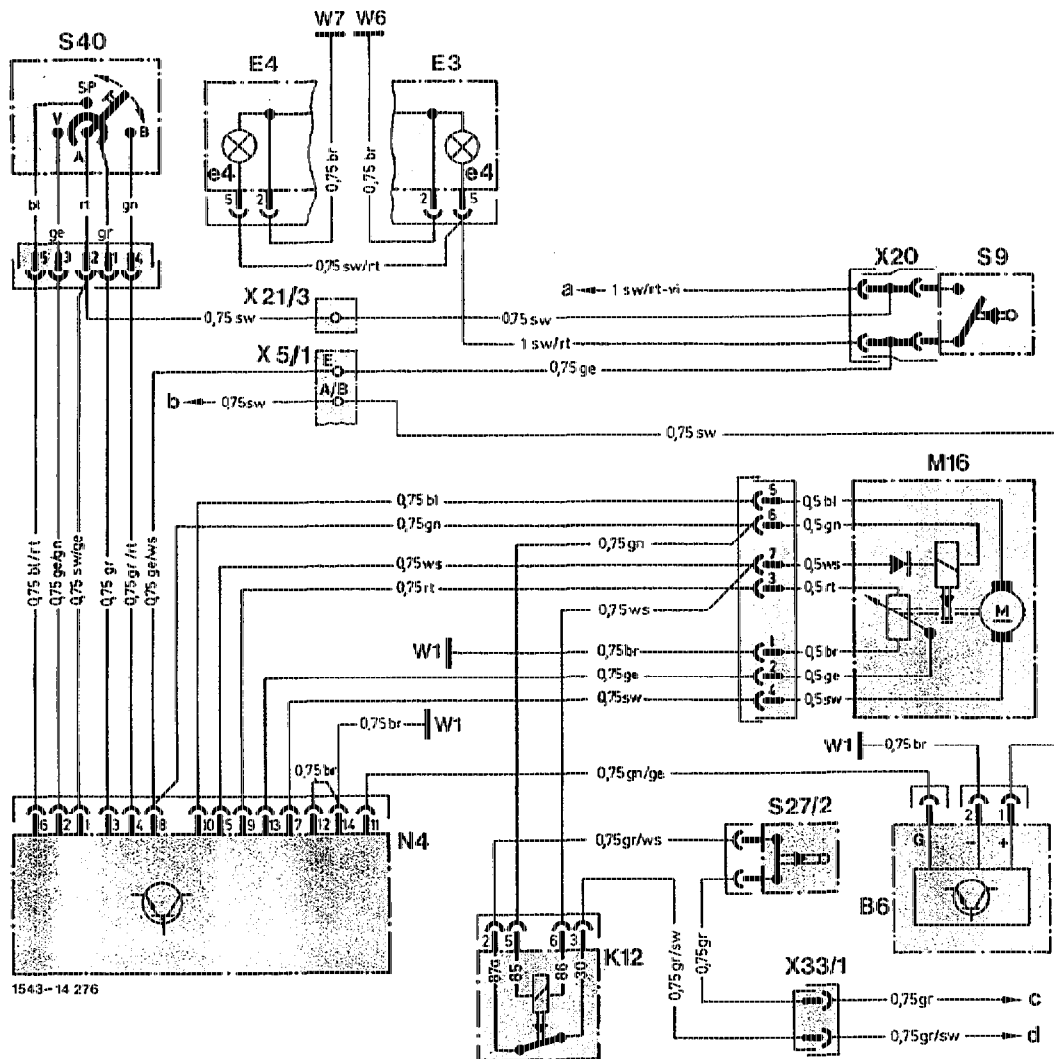


1543-12534/1

Model 201.024 as of approx. 09/85 up to vehicle ident. end no. A 313825/F 229814 except: (USA) (J), vehicles with air conditioning system, vehicles with RUF or CAT

- | | | | |
|-------|---|-------|---|
| B6 | Hall-effect speed sensor | W1 | Main ground (behind instrument cluster) |
| E3 | Left tail lamp unit | W6 | Ground, left rear wheelhouse in trunk |
| E3e4 | Stop lamp | W7 | Ground, right rear wheelhouse in trunk |
| E4 | Right tail lamp unit | X5/1 | Terminal block, stop lamp switch |
| E4e4 | Stop lamp | X20 | Connector, stop lamp switch |
| M16 | Cruise control actuator | X33/1 | Connector, actuator/cruise control extension |
| N4 | Cruise control amplifier | a | On electrical center, coupling field L, line-up 1 |
| K12 | Deceleration fuel shut-off/cruise control relay | b | On electrical center, coupling field C, line-up 1 |
| S9 | Stop lamp switch | c | On throttle valve switch |
| S27/2 | Deceleration shut-off microswitch | d | On CIS-E control unit, line-up 13 |
| S40 | Cruise control switch | | |
| V | Decelerate/set | | |
| B | Accelerate/set | | |
| SB | Resume | | |
| A | Off | | |



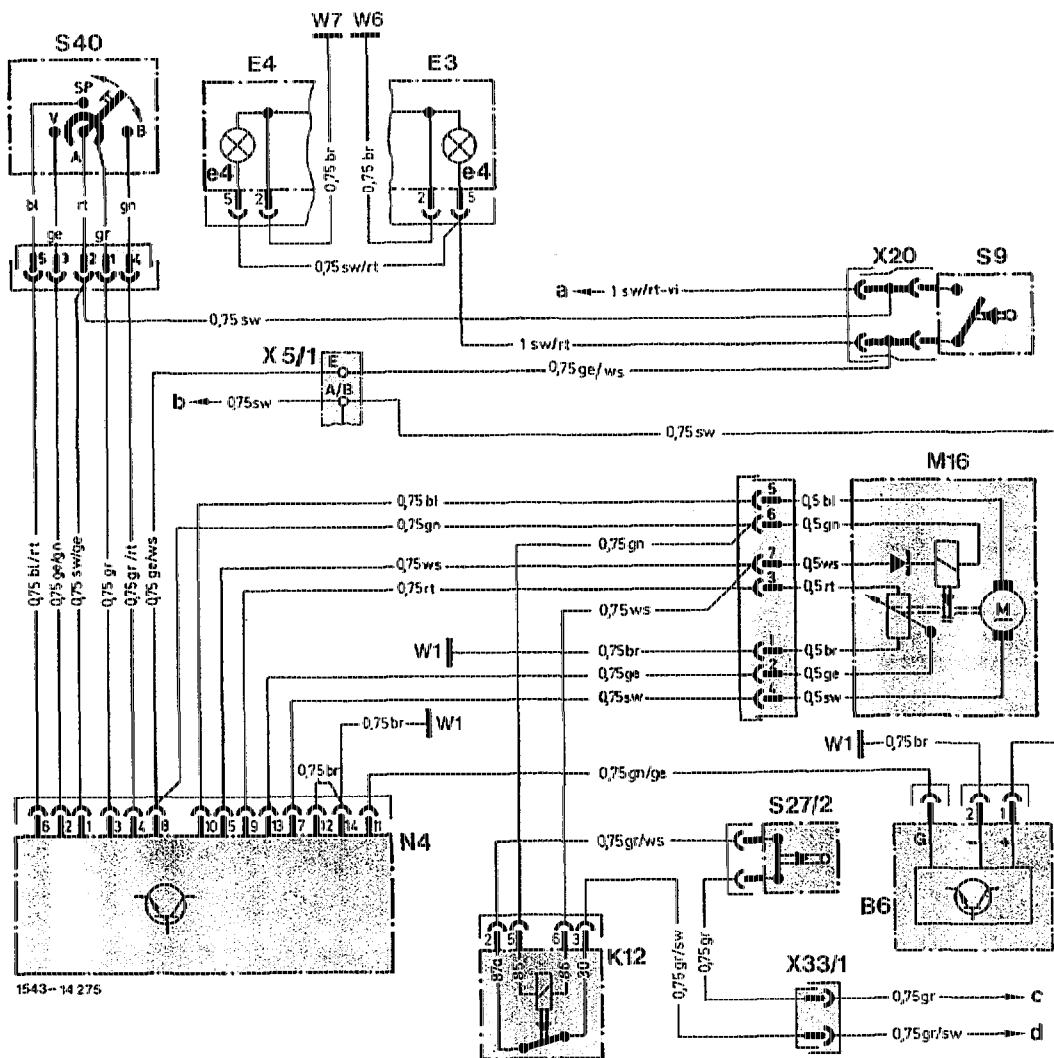


Model 201.024 as of vehicle ident. end no. A 313826/F 229815 up to vehicle ident. end no.

A 384359/F 286582 except: (USA) (J), vehicles with air conditioning system, vehicles with RUF or CAT

B6	Hall-effect speed sensor	W1	Main ground (behind instrument cluster)
E3	Left tail lamp unit	W6	Ground, left rear wheelhouse in trunk
E3e4	Stop lamp	W7	Ground, right rear wheelhouse in trunk
E4	Right tail lamp unit	X5/1	Terminal block, interior (5-pole)
E4e4	Stop lamp	A/B	ident. colour, black
M16	Cruise control actuator	E	ident. colour, yellow
N4	Cruise control amplifier	X20	Connector, stop lamp switch
K12	Deceleration fuel shut-off/cruise control relay	X21/3	Terminal block, stop lamp switch/cruise control (1-pole)
S9	Stop lamp switch	X33/1	Connector, actuator/cruise control extension
S27/2	Deceleration shut-off microswitch	a	On electrical center, coupling field C, line-up 1
S40	Cruise control switch	b	On electrical center, coupling field L, line-up 1
V	Decelerate/set	c	On throttle valve switch
B	Accelerate/set	d	On CIS-E control unit, line-up 13
SB	Resume		
A	Off		



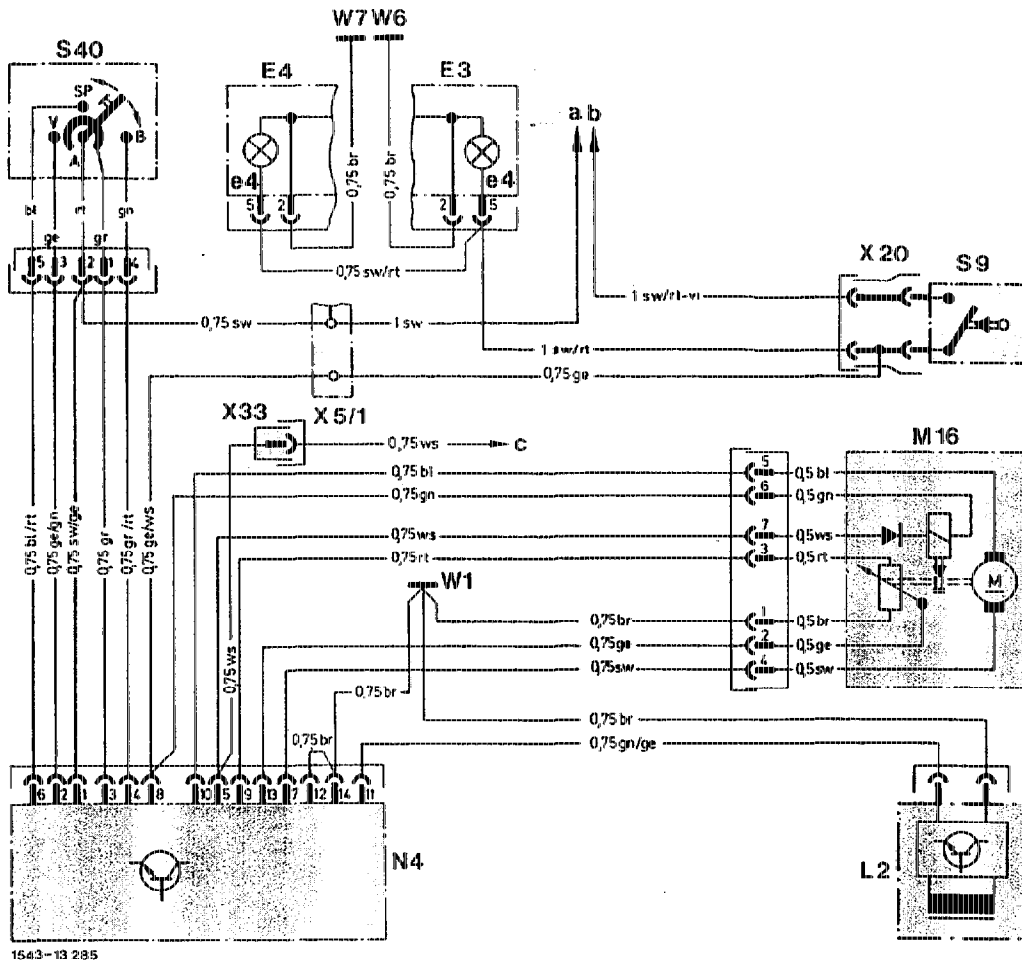


Model 201.024 as of vehicle ident end no. A 384360/F 286573

except: (USA) (J) vehicles with air conditioning system, vehicles with RUF or CAT

B6	Hall-effect speed sensor	W1	Main ground (behind instrument cluster)
E3	Left tail lamp unit	W6	Ground, left rear wheelhouse in trunk
E3e4	Stop lamp	W7	Ground, right rear wheelhouse in trunk
E4	Right tail lamp unit	X5/1	Terminal block, interior (5-pole)
E4e4	Stop lamp	A/B	ident. colour, black
M16	Cruise control actuator	E	ident. colour, yellow
N4	Cruise control amplifier	X20	Connector, stop lamp switch
K12	Deceleration fuel shut-off/cruise control relay	X33/1	Connector, actuator/cruise control extension
S9	Stop lamp switch	a	On electrical center, coupling field C, line-up 1
S27/2	Deceleration shut-off microswitch	b	On electrical center, coupling field L, line-up 1
S40	Cruise control switch	c	On throttle valve switch
V	Decelerate/set	d	On CIS-E control unit, line-up 13
B	Accelerate/set		
SB	Resume		
A	Off		



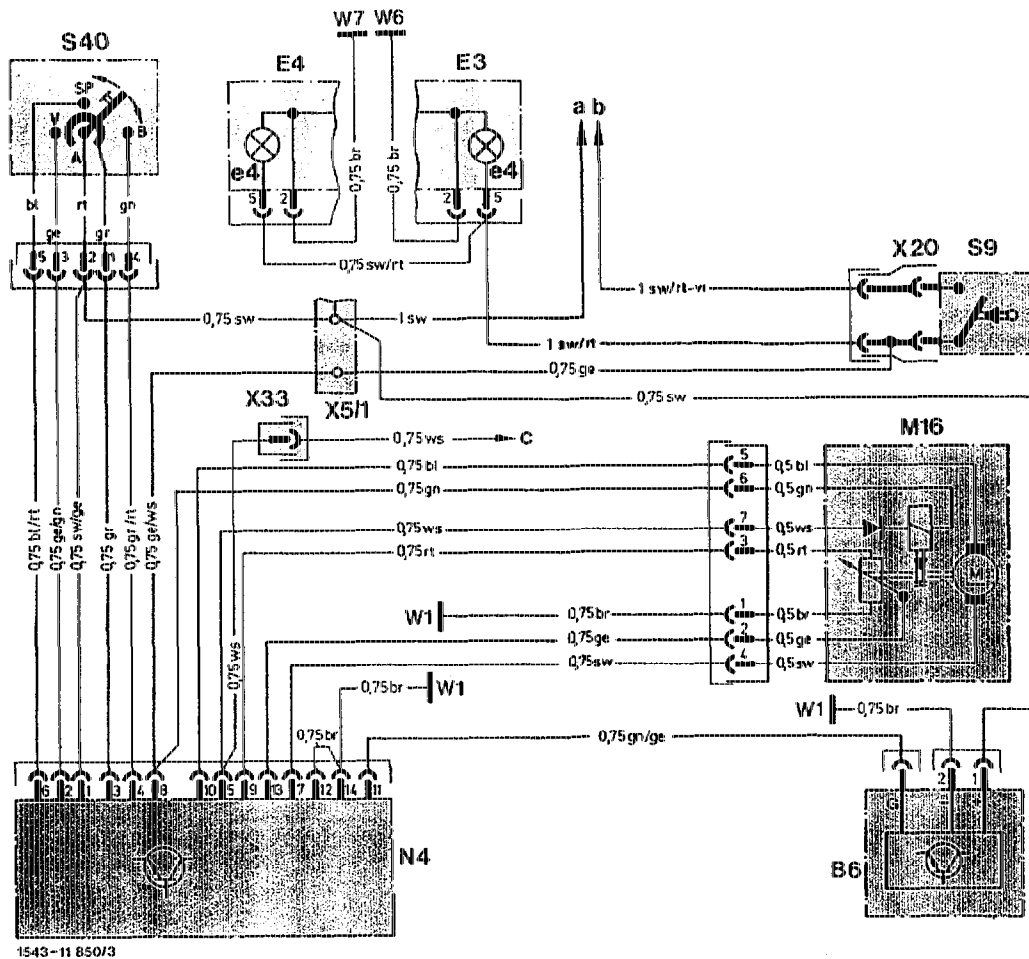


1543-13 295

Model 201.024 Vehicles with air conditioning system as of approx. 10/84 up to approx. 08/85,

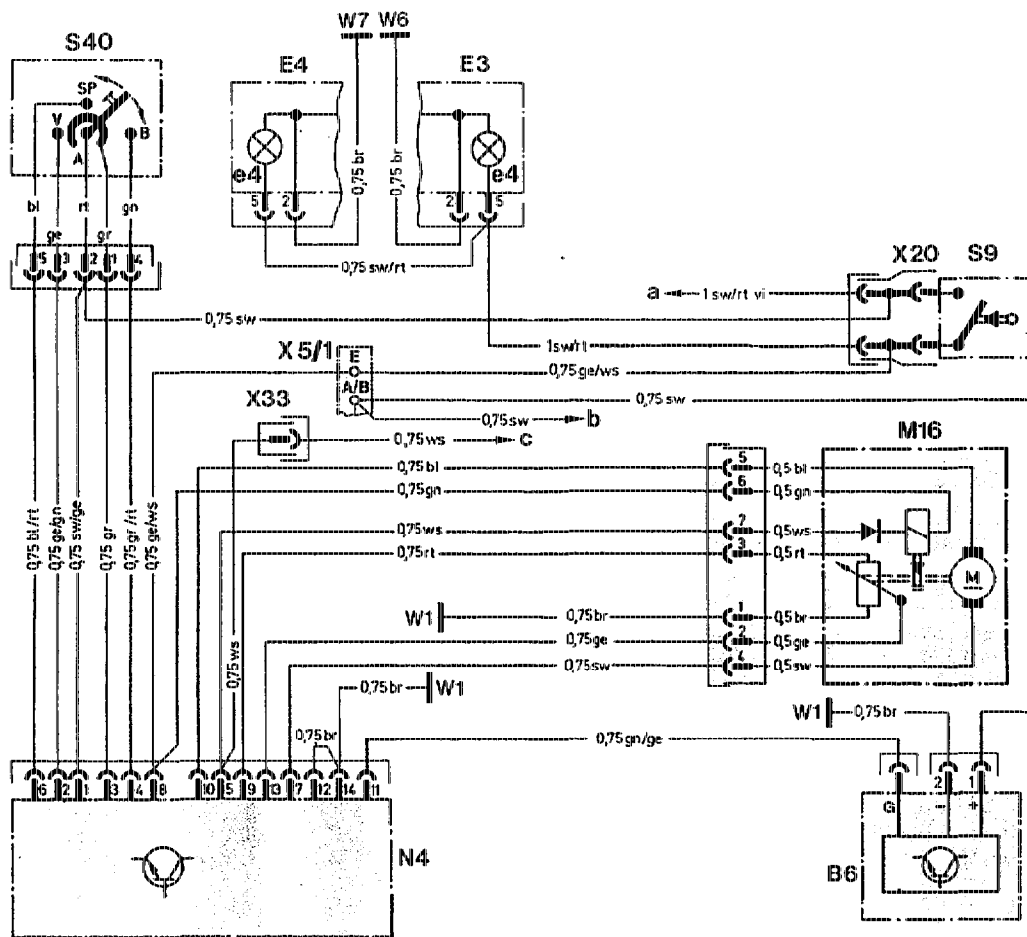
(USA) (J) up to 1985

- | | | | |
|------|--------------------------|------|---|
| E3 | Left tail lamp unit | W1 | Main ground (behind instrument cluster) |
| E3e4 | Stop lamp | W6 | Ground, left rear wheelhouse in trunk |
| E4 | Right tail lamp unit | W7 | Ground, right rear wheelhouse in trunk |
| E4e4 | Stop lamp | X5/1 | Terminal block, interior (5-pole) |
| L2 | Road speed sensor | X20 | Connector, stop lamp switch |
| M16 | Cruise control actuator | X33 | Connector, CIS-E/cruise control (1-pole) |
| N4 | Cruise control amplifier | a | On electrical center, coupling field L, line-up 1 |
| S9 | Stop lamp switch | b | On electrical center, coupling field C, line-up 1 |
| S40 | Cruise control switch | c | On CIS-E control unit, line-up 6 |
| V | Decelerate/set | | |
| B | Accelerate/set | | |
| SB | Resume | | |
| A | Off | | |



Model 201.024/034 Vehicles with air conditioning system, vehicles with RUF or CAT as of approx. 09/85 up to vehicle ident. end no. A 313825/F 229814, (USA) (J) 1986

B6	Hall-effect speed sensor	W1	Main ground (behind instrument cluster)
E3	Left tail lamp unit	W6	Ground, left rear wheelhouse in trunk
E3e4	Stop lamp	W7	Ground, right rear wheelhouse in trunk
E4	Right tail lamp unit	X5/1	Terminal block, interior (5-pole)
E4e4	Stop lamp	X20	Connector, stop lamp switch
M16	Cruise control actuator	X33	Connector, CIS-E/cruise control (1-pole)
N4	Cruise control amplifier	a	On electrical center, coupling field L, line-up 1
S9	Stop lamp switch	b	On electrical center, coupling field C, line-up 1
S40	Cruise control switch	c	On CIS-E control unit, line-up 6
V	Decelerate/set		
B	Accelerate/set		
SB	Resume		
A	Off		



1543-14123

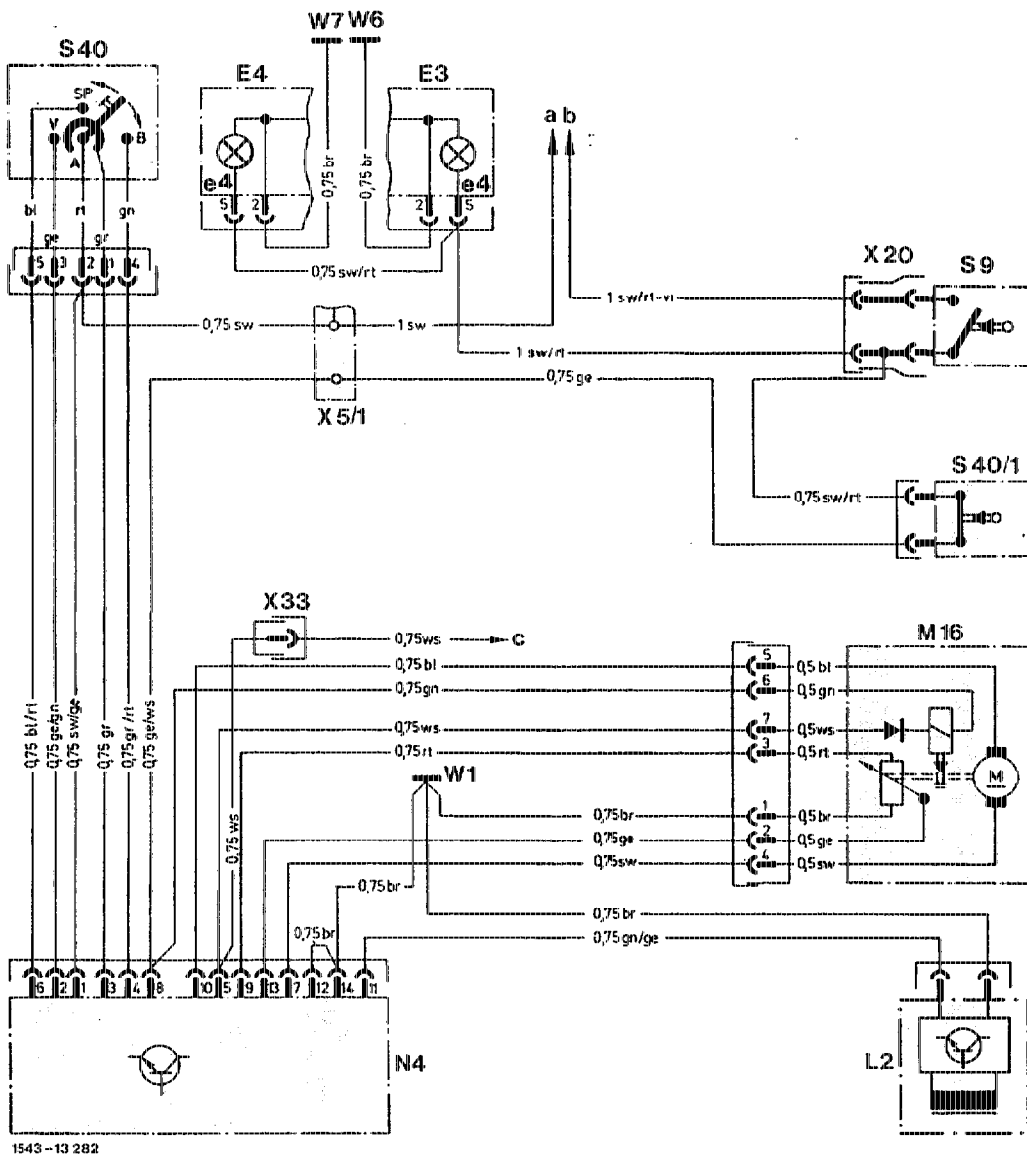
Model 201.024/028/034 Vehicles with air conditioning system, vehicles with RUF or CAT
as of vehicle ident end no. A 384360/F 286573 up to 08/ 88

(USA) (J) 1987, 1988 (201.028) (USA) 1987)

B6	Hall-effect speed sensor	W1	Main ground (behind instrument cluster)
E3	Left tail lamp unit	W6	Ground, left rear wheelhouse in trunk
E3e4	Stop lamp	W7	Ground, right rear wheelhouse in trunk
E4	Right tail lamp unit	X5/1	Terminal block, interior (5-pole) A/B ident. colour black
E4e4	Stop lamp	E	ident. colour yellow
M16	Cruise control actuator	X20	Connector, stop lamp switch
N4	Cruise control amplifier	X33	Connector, CIS-E/cruise control (1-pole)
S9	Stop lamp switch	a	On electrical center, coupling field C, line-up 1
S40	Cruise control switch	b	On electrical center, coupling field L, line-up 1
V	Decelerate/set	c	On CIS-E control unit, line-up 6
B	Accelerate/set		
SB	Resume		
A	Off		

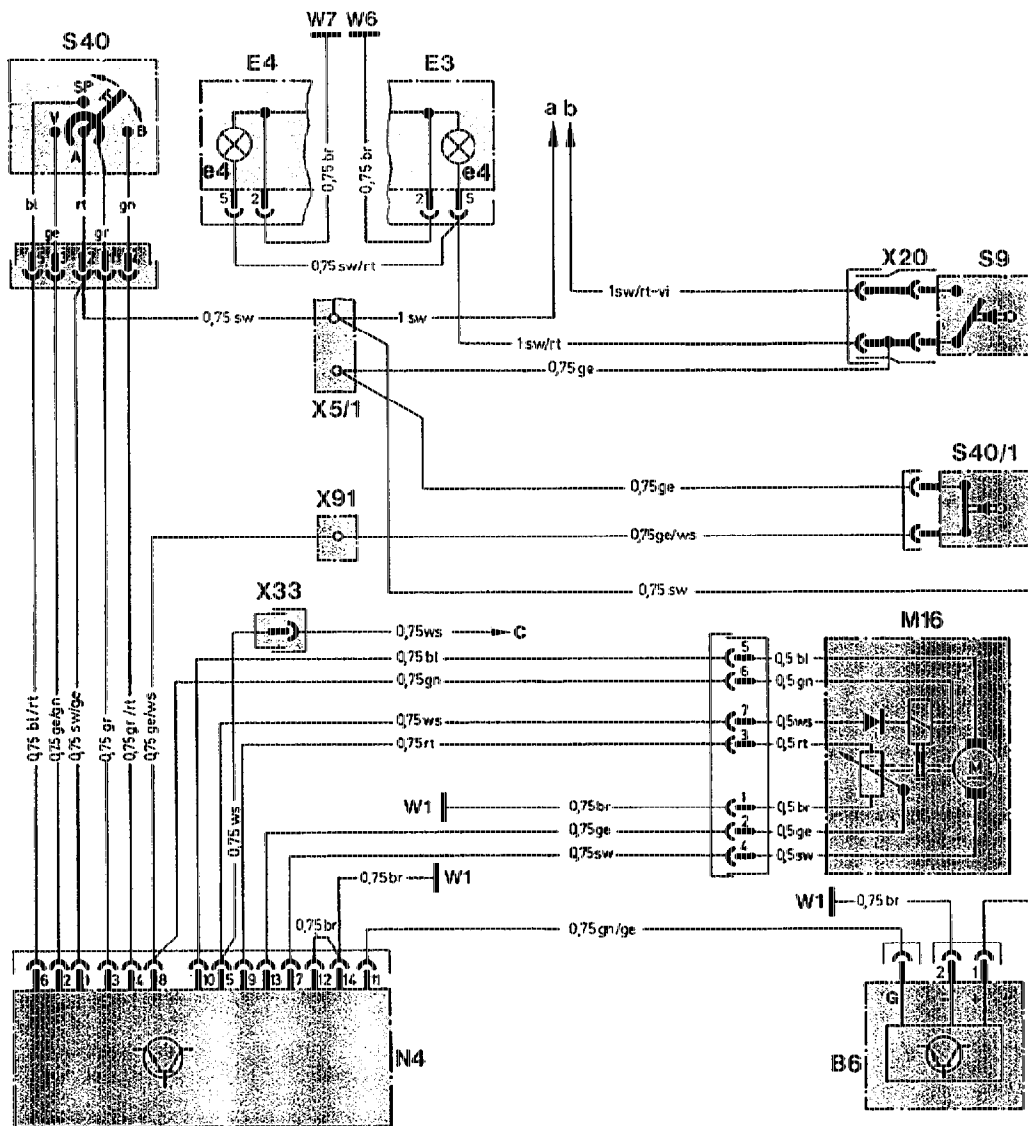


F. Model 201 with CIS-E injection engine and manual transmission



Model 201.024 (USA) 1984, 1985, up to vehicle ident. end no. A 209722/F 089773

E3	Left tail lamp unit	S40/1	Clutch pedal switch (cruise control)
E3e4	Stop lamp	W1	Main ground (behind instrument cluster)
E4	Right tail lamp unit	W6	Ground, left rear wheelhouse in trunk
E4e4	Stop lamp	W7	Ground, right rear wheelhouse in trunk
L2	Road speed sensor	X5/1	Terminal block, interior (5-pole)
M16	Cruise control actuator	X20	Connector, stop lamp switch
N4	Cruise control amplifier	X33	Connector, CIS-E/cruise control (1-pole)
S9	Stop lamp switch	a	On electrical center, coupling field L, line-up 1
S40	Cruise control switch	b	On electrical center, coupling field C, line-up 1
V	Decelerate/set	c	On CIS-E control unit, line-up 6
B	Accelerate/set		
SB	Resume		
A	Off		

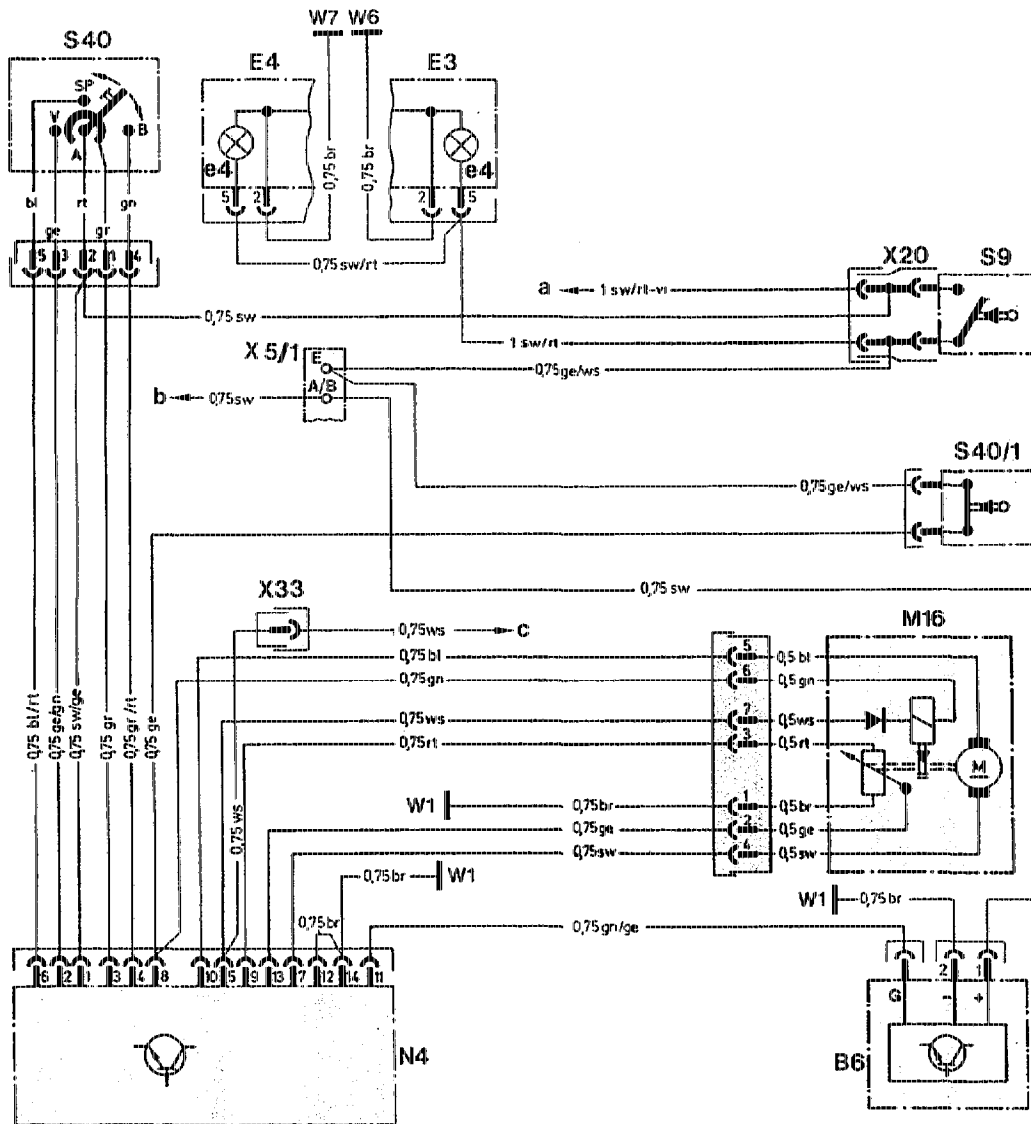


1543 - 14470

Model 201.024/034 (USA) 1986, up to vehicle ident. end no. F 229814

B6	Hall-effect speed sensor	S40/1	Clutch pedal switch (cruise control)
E3	Left tail lamp unit	W1	Main ground (behind instrument cluster)
E3e4	Stop lamp	W6	Ground, left rear wheelhouse in trunk
E4	Right tail lamp unit	W7	Ground, right rear wheelhouse in trunk
E4e4	Stop lamp	X5/1	Terminal block, interior (5-pole)
M16	Cruise control actuator	X20	Connector, stop lamp switch
N4	Cruise control amplifier	X33	Connector, CIS-E/cruise control (1-pole)
S9	Stop lamp switch	X91	Terminal block, clutch pedal/cruise control 1-pole
S40	Cruise control switch	a	On electrical center, coupling field L, line-up 1
V	Decelerate/set	b	On electrical center, coupling field C, line-up 1
B	Accelerate/set	c	On CIS-E control unit, line-up 6
SB	Resume		
A	Off		

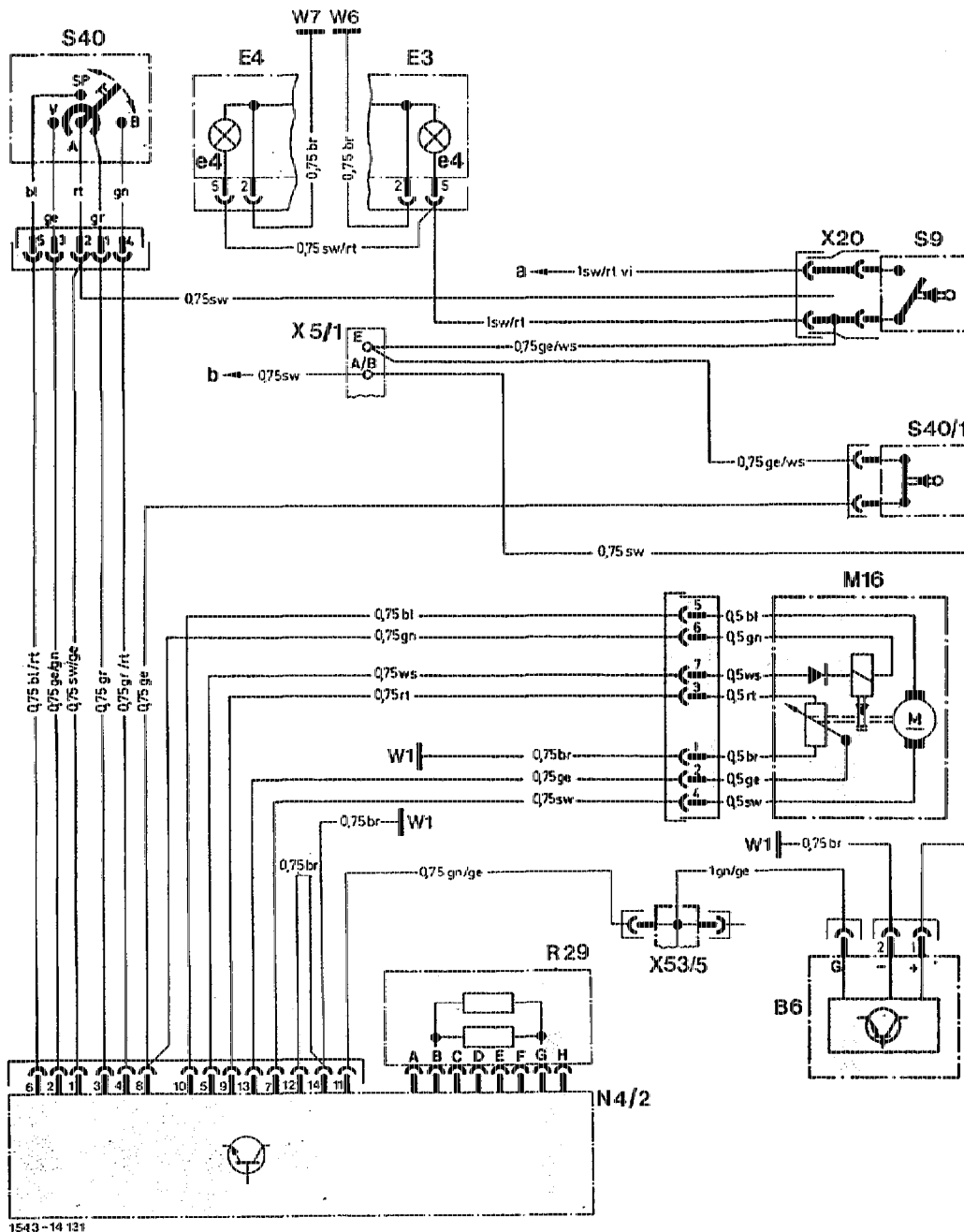




1543 -14 129

Model 201.028/034 (USA) 1987, as of vehicle ident end no. F 286573

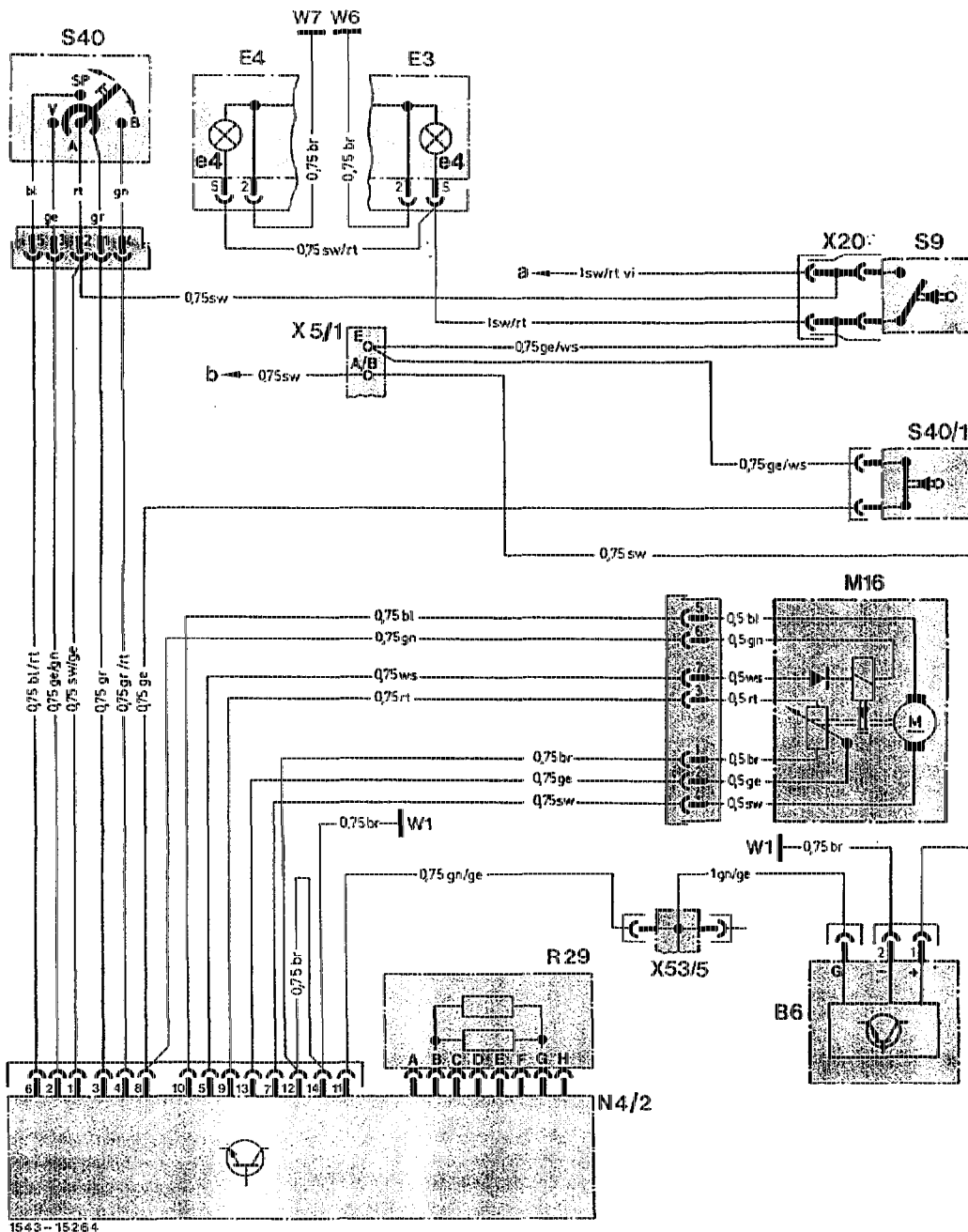
B6	Hall-effect speed sensor	W1	Main ground (behind instrument cluster)
E3	Left tail lamp unit	W6	Ground, left rear wheelhouse in trunk
E3e4	Stop lamp	W7	Ground, right rear wheelhouse in trunk
E4	Right tail lamp unit	X5/1	Terminal block, interior (5-pole)
E4e4	Stop lamp		A/B ident colour black
M16	Cruise control actuator		E ident colour yellow
N4	Cruise control amplifier	X20	Connector, stop lamp switch
S9	Stop lamp switch	X33	Connector, CIS-E/cruise control (1-pole)
S40	Cruise control switch	X91	Terminal block, clutch pedal/cruise control
	V Decelerate/set		1-pole
	B Accelerate/set	a	On electrical center, coupling field C, line-up 1
	SB Resume	b	On electrical center, coupling field L, line-up 1
	A Off	c	On CIS-E control unit, line-up 6
S40/1	Clutch pedal switch (cruise control)		



1543-14 121

Model 201.029 (USA) 1987

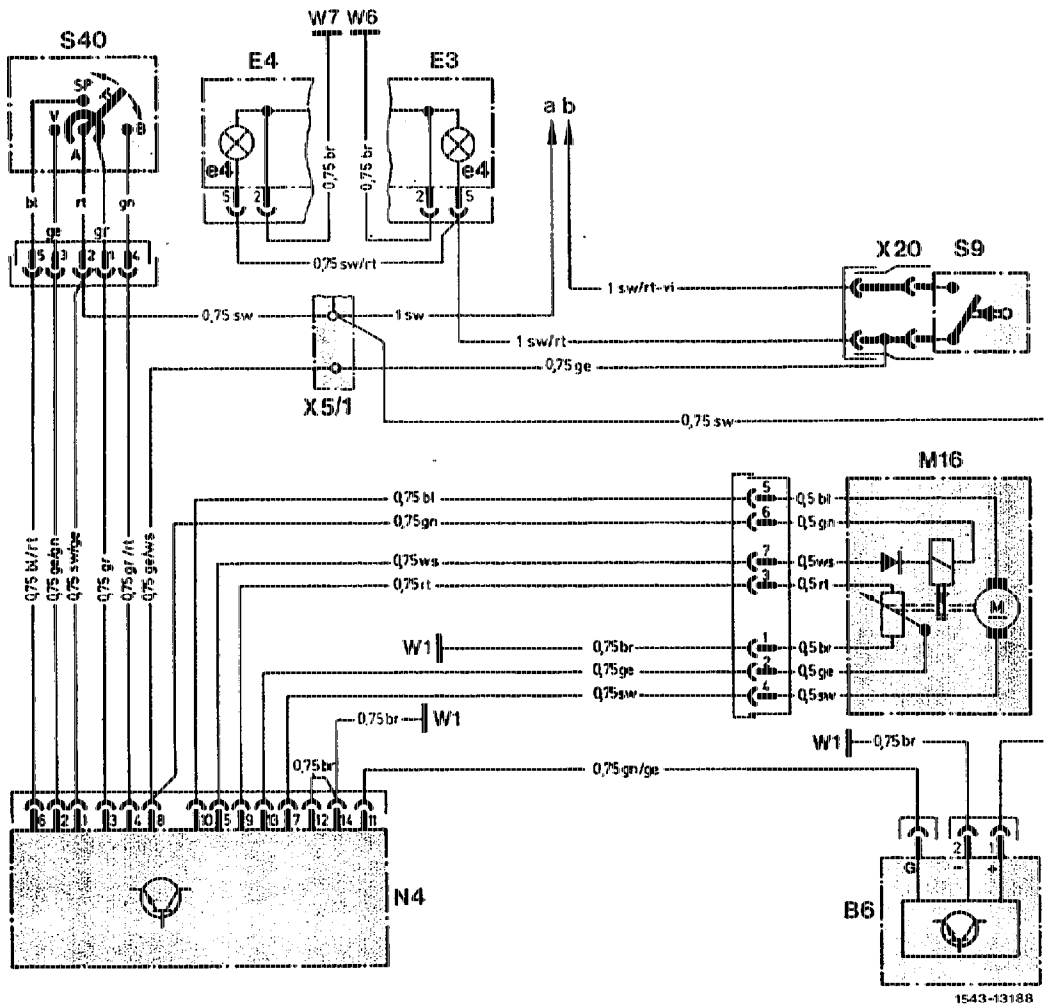
- | | | | |
|------|--|-------|--|
| B6 | Hall-effect speed sensor | S40/1 | Clutch pedal switch (cruise control) |
| E3 | Left tail lamp unit | W1 | Main ground (behind instrument cluster) |
| E3e4 | Stop lamp | W6 | Ground, left rear wheelhouse in trunk |
| E4 | Right tail lamp unit | W7 | Ground, right rear wheelhouse in trunk |
| E4e4 | Stop lamp | X5/1 | Terminal block, interior (5-pole)
A/B ident colour black
E ident colour yellow |
| M16 | Cruise control actuator | X20 | Connector, stop lamp switch |
| N4/2 | Cruise control amplifier with reference resistor | X53/5 | Multipoint connector, Hall-effect sensor |
| R29 | Cruise control reference resistor | a | On electrical center, coupling field C, line-up 1 |
| S9 | Stop lamp switch | b | On electrical center, coupling field L, line-up 1 |
| S40 | Cruise control switch | | |
| V | Decelerate/set | | |
| B | Accelerate/set | | |
| SB | Resume | | |
| A | Off | | |



1543 - 15264

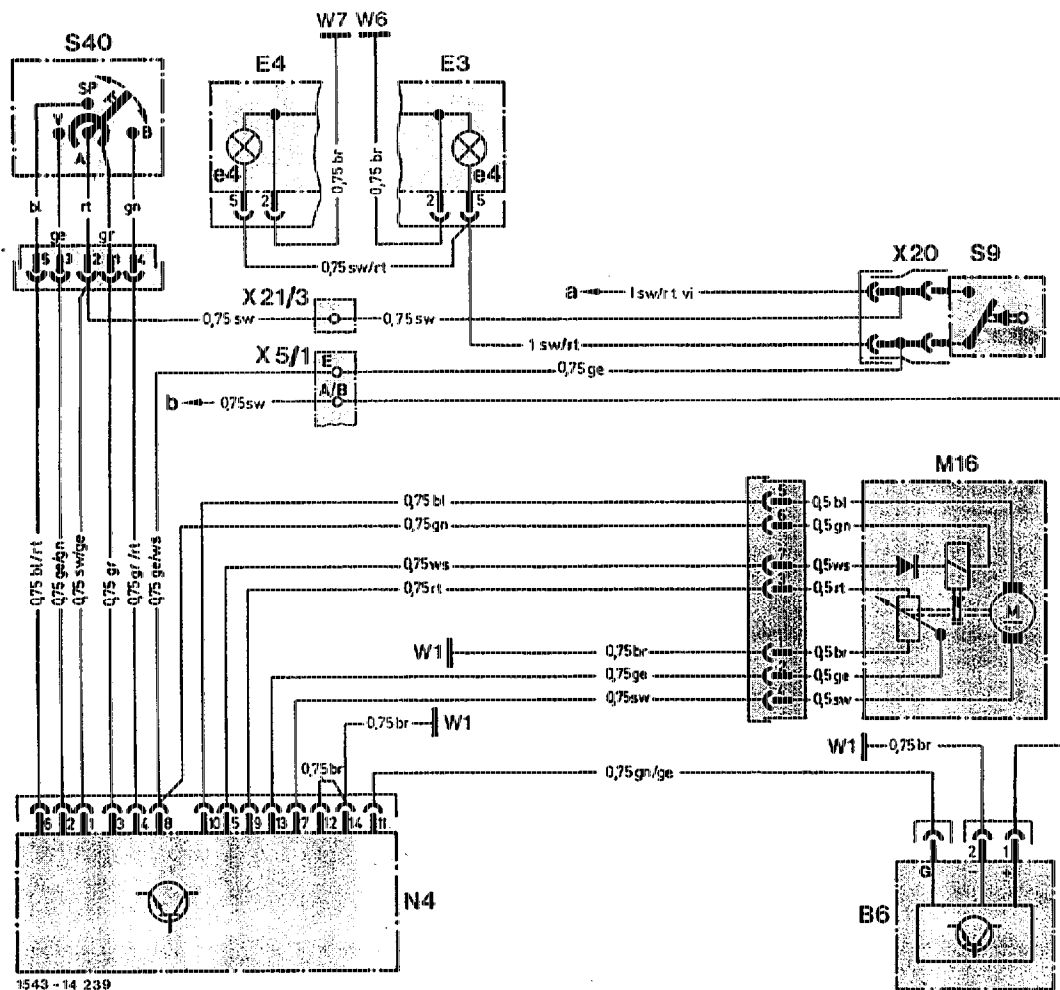
Model 201.028 (USA) 1988, 201.029 (USA) as of 1988

- | | | | |
|------|--|-------|---|
| B6 | Hall-effect speed sensor | S40/1 | Clutch pedal switch (cruise control) |
| E3 | Left tail lamp unit | W1 | Main ground (behind instrument cluster) |
| E3e4 | Stop lamp | W6 | Ground, left rear wheelhouse in trunk |
| E4 | Right tail lamp unit | W7 | Ground, right rear wheelhouse in trunk |
| E4e4 | Stop lamp | X5/1 | Terminal block, interior (5-pole) |
| M16 | Cruise control actuator | A/B | ident. colour black |
| N4/2 | Cruise control amplifier with reference resistor | E | ident. colour yellow |
| R29 | Cruise control reference resistor | X20 | Connector, stop lamp switch |
| S9 | Stop lamp switch | X53/5 | Multipoint connector, Hall-effect sensor |
| S40 | Cruise control switch | a | On electrical center, coupling field C, line-up 1 |
| V | Decelerate/set | b | On electrical center, coupling field L, line-up 1 |
| B | Accelerate/set | | |
| SB | Resume | | |
| A | Off | | |



Model 201.122/126 as of approx. 09/85 up to vehicle ident. end no. A 313825/F 229814, except: (USA) as of 1986

- | | | | |
|------|--------------------------|------|---|
| B6 | Hall-effect speed sensor | W1 | Main ground (behind instrument cluster) |
| E3 | Left tail lamp unit | W6 | Ground, left rear wheelhouse in trunk |
| E3e4 | Stop lamp | W7 | Ground, right rear wheelhouse in trunk |
| E4 | Right tail lamp unit | X5/1 | Terminal block, interior (5-pole) |
| E4e4 | Stop lamp | X20 | Connector, stop lamp switch |
| M16 | Cruise control actuator | a | On electrical center, coupling field L, line-up 1 |
| N4 | Cruise control amplifier | b | On electrical center, coupling field C, line-up 1 |
| S9 | Stop lamp switch | | |
| S40 | Cruise control switch | | |
| V | Decelerate/set | | |
| B | Accelerate/set | | |
| SB | Resume | | |
| A | Off | | |

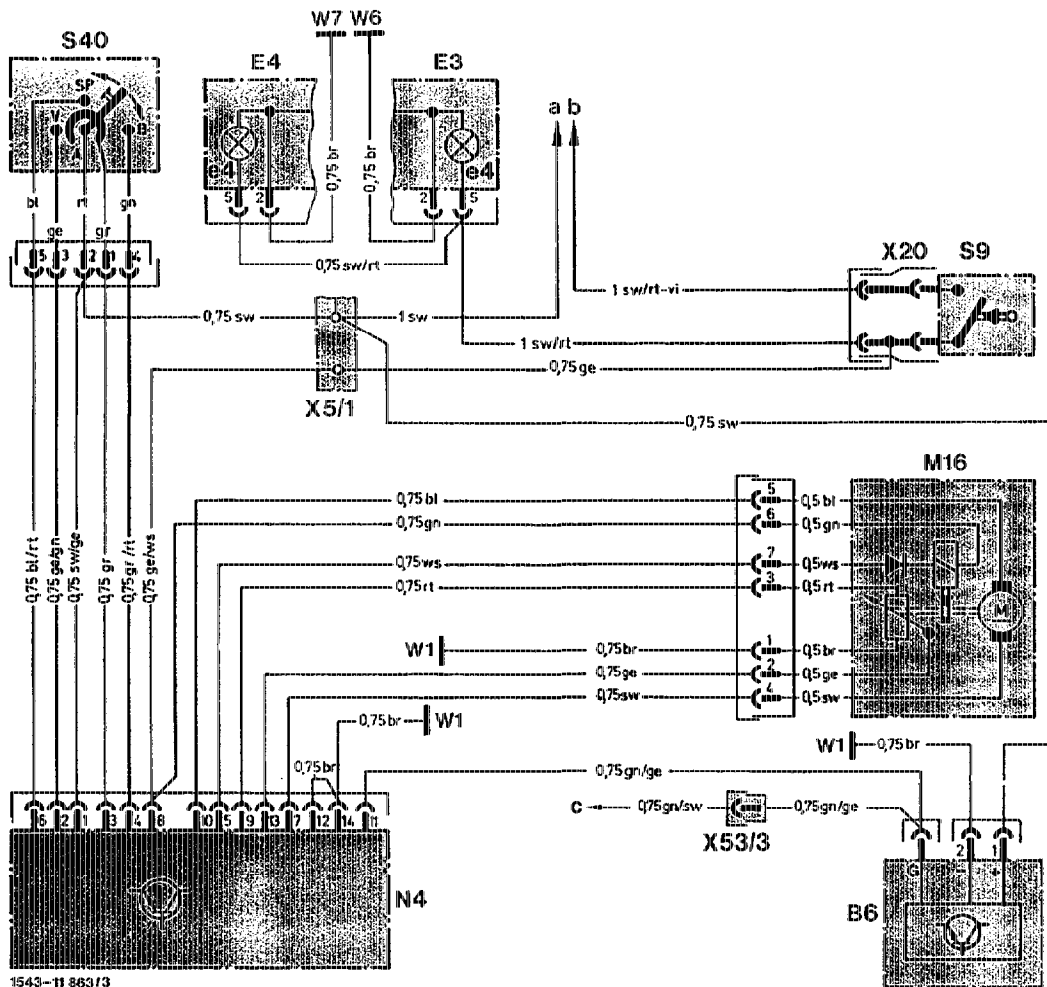


1543 - 14 239

Model 201.122/126 as of vehicle ident end no. A 313826/F 229815
 up to vehicle ident. end no. A 384359/F 286572, except: (USA) as of 1986

B6	Hall-effect speed sensor	W1	Main ground (behind instrument cluster)
E3	Left tail lamp unit	W6	Ground, left rear wheelhouse in trunk
E3e4	Stop lamp	W7	Ground, right rear wheelhouse in trunk
E4	Right tail lamp unit	X5/1	Terminal block, interior (5-pole) A/B ident. colour black E ident. colour yellow
E4e4	Stop lamp	X20	Connector, stop lamp switch
M16	Cruise control actuator	X21/3	Terminal block, stop lamp switch/cruise control (1-pole)
N4	Cruise control amplifier	a	On electrical center, coupling field C, line-up 1
S9	Stop lamp switch	b	On electrical center, coupling field L, line-up 1
S40	Cruise control switch		
V	Decelerate/set		
B	Accelerate/set		
SB	Resume		
A	Off		



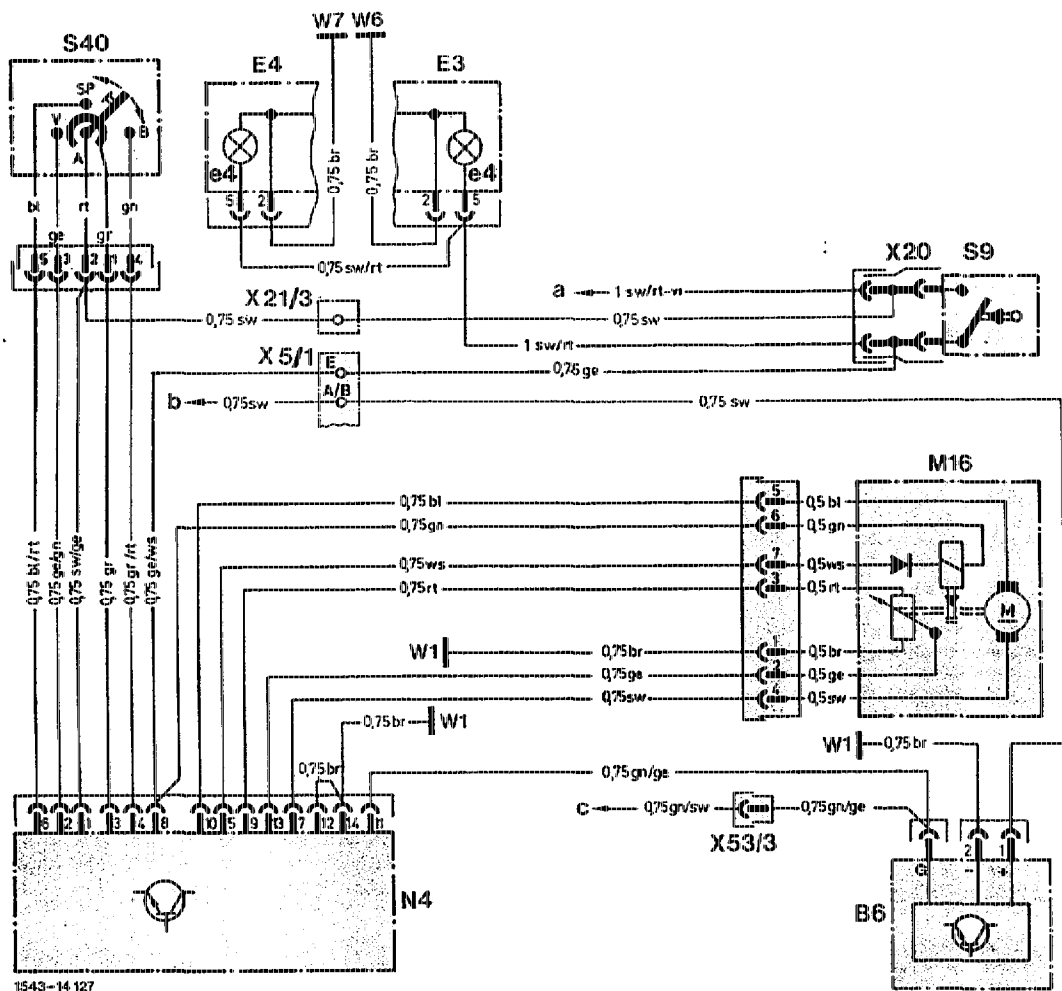


1543-11 863/3

Model 201.126 (USA) 1986 up to vehicle ident. end no. F 229814

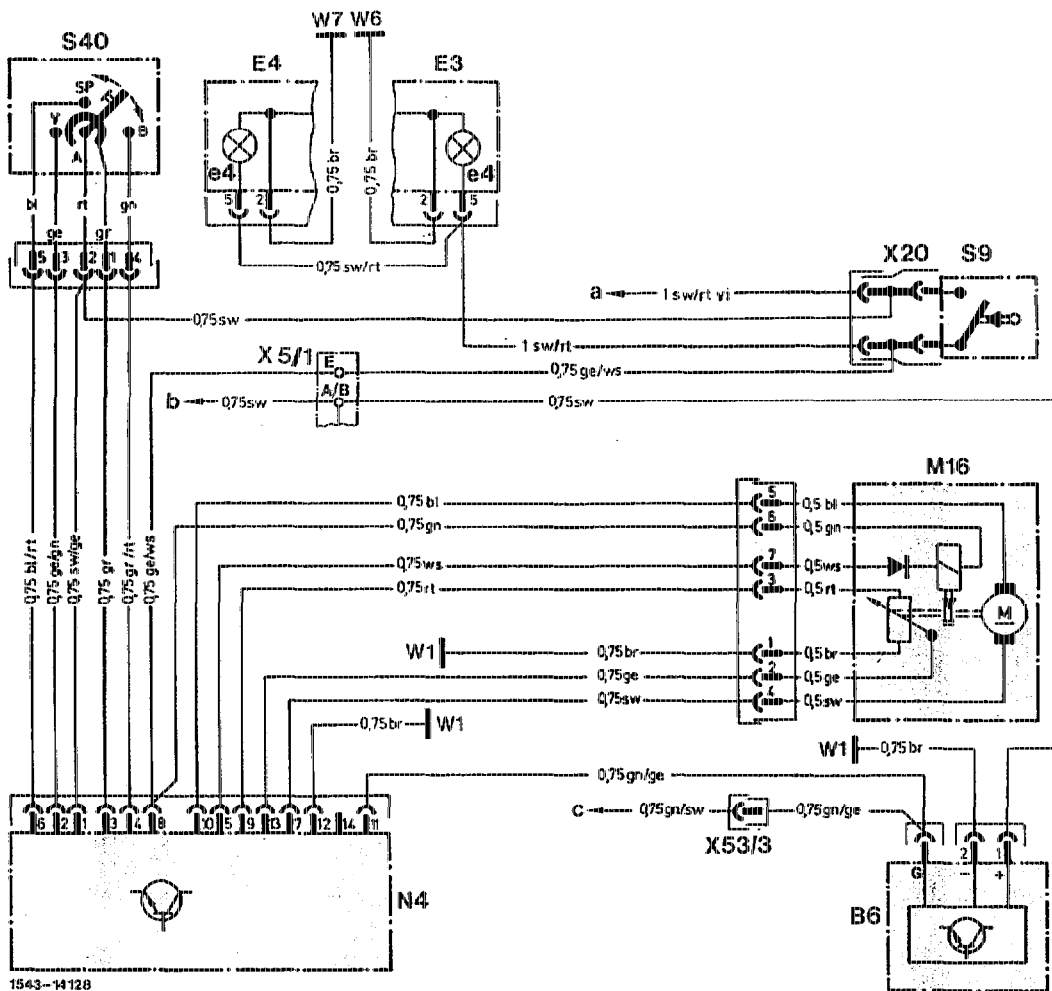
- B6 Hall-effect speed sensor
- E3 Left tail lamp unit
- E3e4 Stop lamp
- E4 Right tail lamp unit
- E4e4 Stop lamp
- M16 Cruise control actuator
- N4 Cruise control amplifier
- S9 Stop lamp switch
- S40 Cruise control switch
- V Decelerate/set
- B Accelerate/set
- SB Resume
- A Off

- W1 Main ground (behind instrument cluster)
- W6 Ground, left rear wheelhouse in trunk
- W7 Ground, right rear wheelhouse in trunk
- X5/1 Terminal block, interior (5-pole)
- X20 Connector, stop lamp switch
- X53/3 Connector, Hall-effect sensor/EGR (1-pole)
- a On electrical center, coupling field L, line-up 1
- b On electrical center, coupling field C, line-up 1
- c On control unit exhaust gas recirculation line-up 5



Model 201.126 (USA) 1986, 1987 as of vehicle ident end no. F 229815
 up to vehicle ident. end no. F 286572

- | | | | |
|------|--------------------------|-------|--|
| B6 | Hall-effect speed sensor | W1 | Main ground (behind instrument cluster) |
| E3 | Left tail lamp unit | W6 | Ground, left rear wheelhouse in trunk |
| E3e4 | Stop lamp | W7 | Ground, right rear wheelhouse in trunk |
| E4 | Right tail lamp unit | X5/1 | Terminal block, interior (5-pole)
A/B ident. colour black
E ident. colour yellow |
| E4e4 | Stop lamp | X20 | Connector, stop lamp switch |
| M16 | Cruise control actuator | X21/3 | Terminal block, stop lamp switch/cruise control (1-pole) |
| N4 | Cruise control amplifier | X53/3 | Connector, Hall-effect sensor/EGR (1-pole) |
| S9 | Stop lamp switch | a | On electrical center, coupling field C, line-up 1 |
| S40 | Cruise control switch | b | On electrical center, coupling field L, line-up 1 |
| V | Decelerate/set | c | On control unit exhaust gas recirculation line-up 5 |
| B | Accelerate/set | | |
| SB | Resume | | |
| A | Off | | |

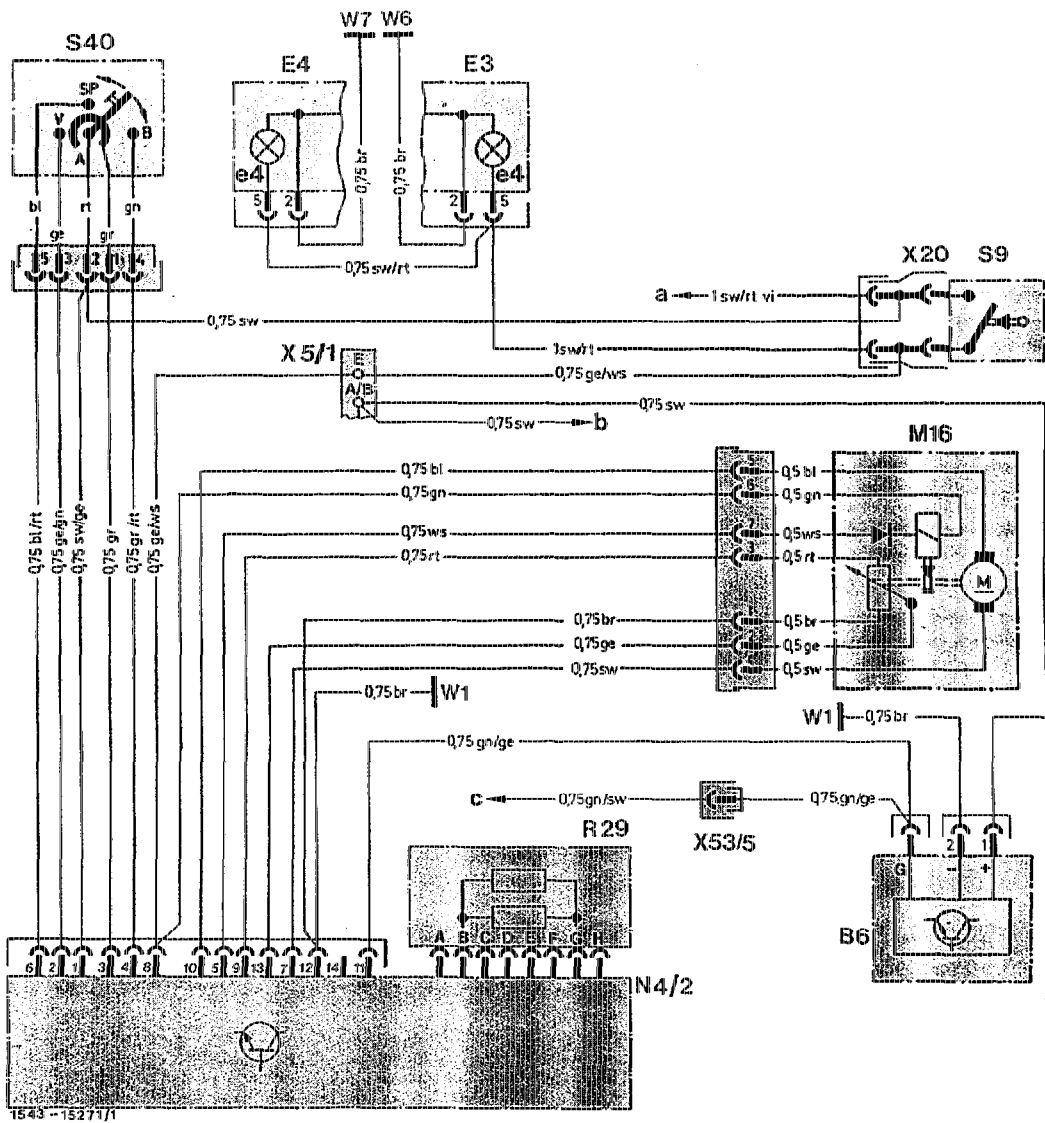


Model 201.126 (USA) 1987 as of vehicle ident end no. F 286573

B6 Hall-effect speed sensor
 E3 Left tail lamp unit
 E3e4 Stop lamp
 E4 Right tail lamp unit
 E4e4 Stop lamp
 M16 Cruise control actuator
 N4 Cruise control amplifier
 S9 Stop lamp switch
 S40 Cruise control switch
 V Decelerate/set
 B Accelerate/set
 SB Resume
 A Off

W1 Main ground (behind instrument cluster)
 W6 Ground, left rear wheelhouse in trunk
 W7 Ground, right rear wheelhouse in trunk
 X5/1 Terminal block, interior (5-pole)
 A/B ident. colour black
 E ident. colour yellow

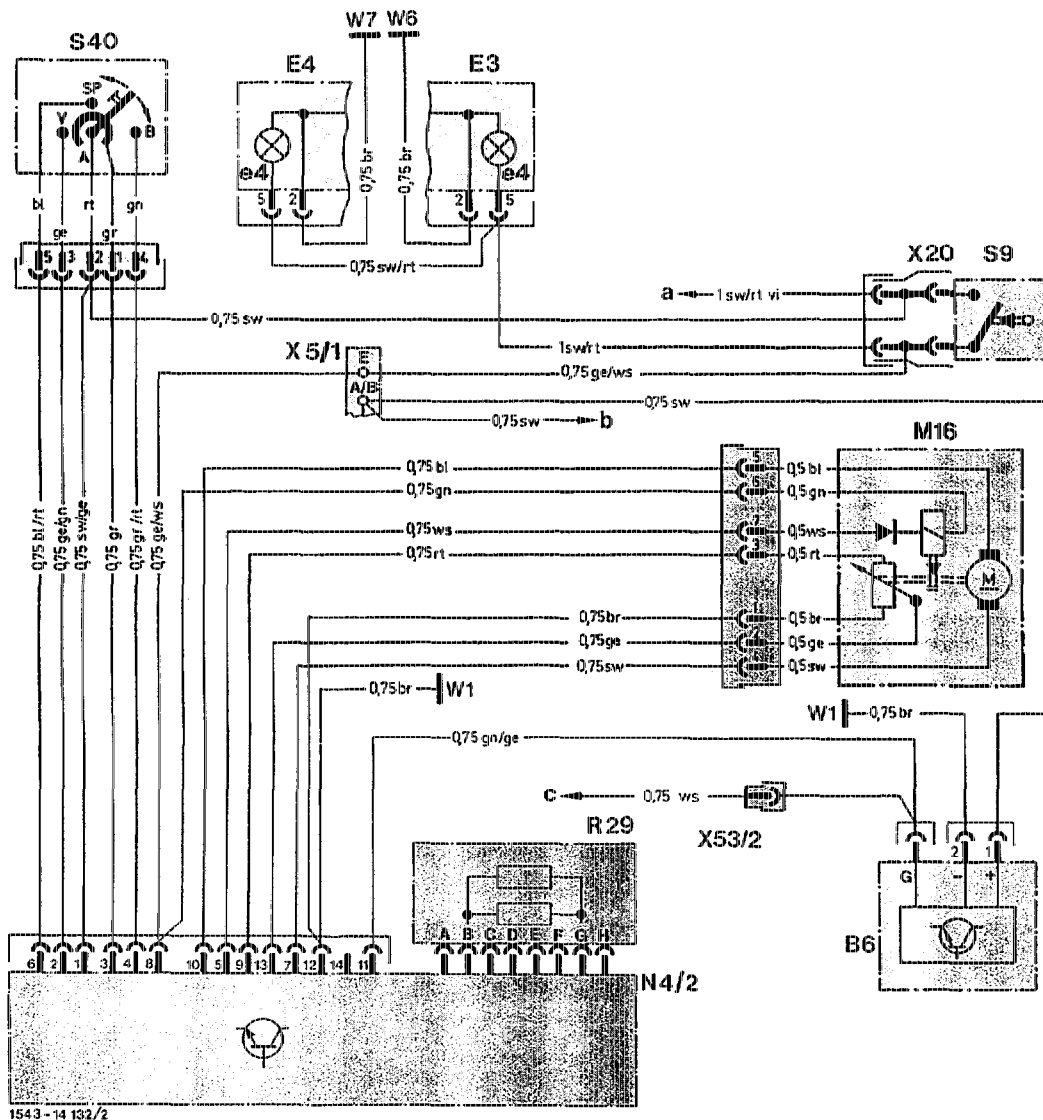
X20 Connector, stop lamp switch
 X53/3 Connector, Hall-effect sensor/EGR (1-pole)
 a On electrical center, coupling field C, line-up 1
 b On electrical center, coupling field L, line-up 1
 c On control unit exhaust gas recirculation line-up 5



Model 201.126 (USA) as of 1988

- B6 Hall-effect speed sensor
- E3 Left tail lamp unit
- E3e4 Stop lamp
- E4 Right tail lamp unit
- E4e4 Stop lamp
- M16 Cruise control actuator
- N4/2 Cruise control amplifier with reference resistor
- R29 Cruise control reference resistor
- S9 Stop lamp switch
- S40 Cruise control switch
- V Decelerate/set
- B Accelerate/set
- SB Resume
- A Off

- W1 Main ground (behind instrument cluster)
- W6 Ground, left rear wheelhouse in trunk
- W7 Ground, right rear wheelhouse in trunk
- X5/1 Terminal block, interior (5-pole)
- A/B ident. colour black
- E ident. colour yellow
- X20 Connector, stop lamp switch
- X53/3 Connector, Hall-effect sensor/EGR (1-pole)
- a On electrical center, coupling field C, line-up 1
- b On electrical center, coupling field L, line-up 1
- c On control unit exhaust gas recirculation line-up 1

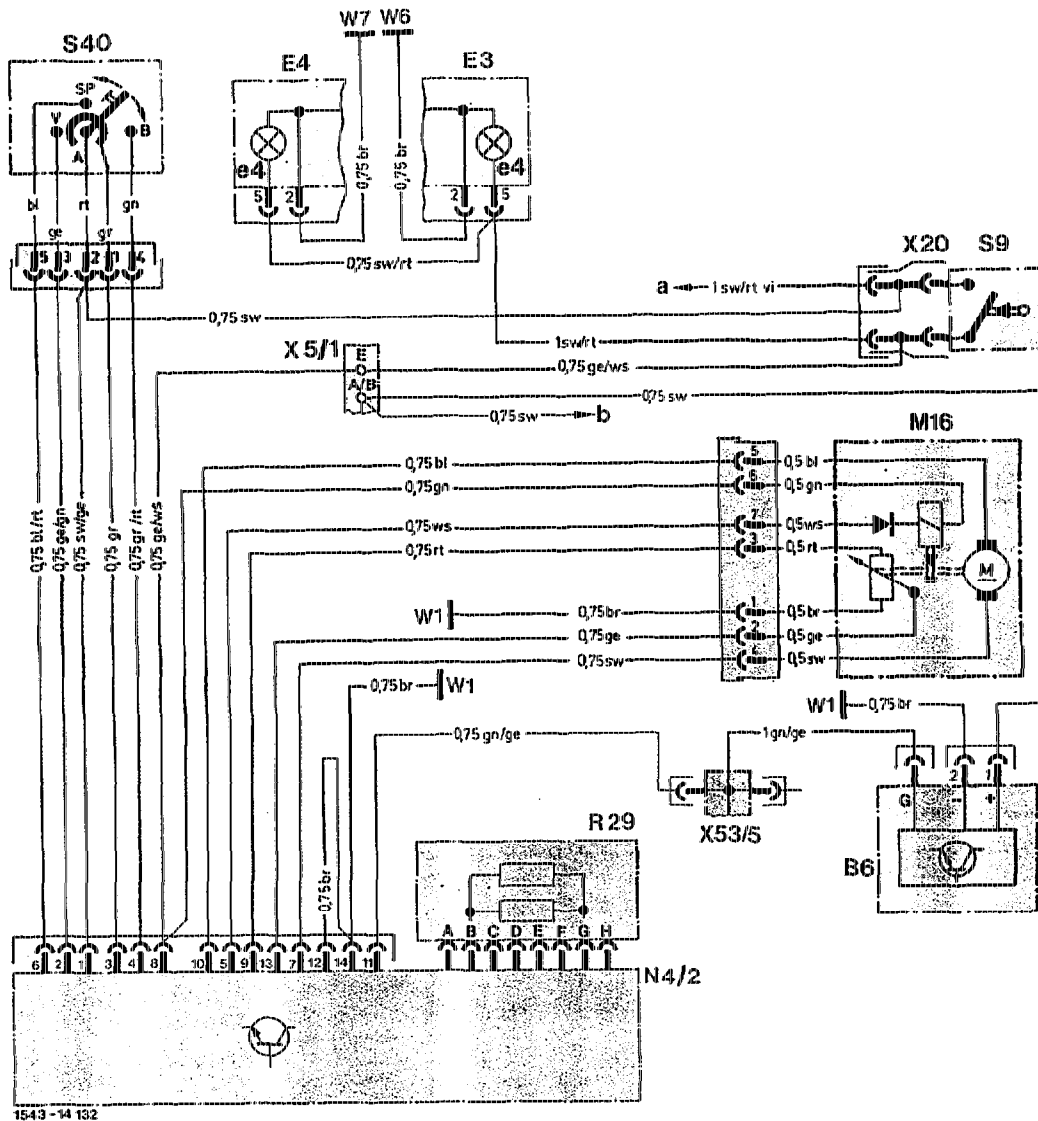


1543-14 132/2

Model 201.128 except (USA) up to approx. 08/89

B6	Hall-effect speed sensor
E3	Left tail lamp unit
E3e4	Stop lamp
E4	Right tail lamp unit
E4e4	Stop lamp
M16	Cruise control actuator
N4/2	Cruise control amplifier with reference resistor
R29	Cruise control reference resistor
S9	Stop lamp switch
S40	Cruise control switch
V	Decelerate/set
B	Accelerate/set
SB	Resume
A	Off

W1	Main ground (behind instrument cluster)
W6	Ground, left rear wheelhouse in trunk
W7	Ground, right rear wheelhouse in trunk
X5/1	Terminal block, interior (5-pole) A/B ident. colour black E ident. colour yellow
X20	Connector, stop lamp switch
X53/2	Connector, Hall-effect sensor/ Tempomat (cruise control)
a	On electrical center, coupling field C, line-up 1
b	On electrical center, coupling field L, line-up 1
c	On outside temperature indicator A1p4



1543 - 34 152

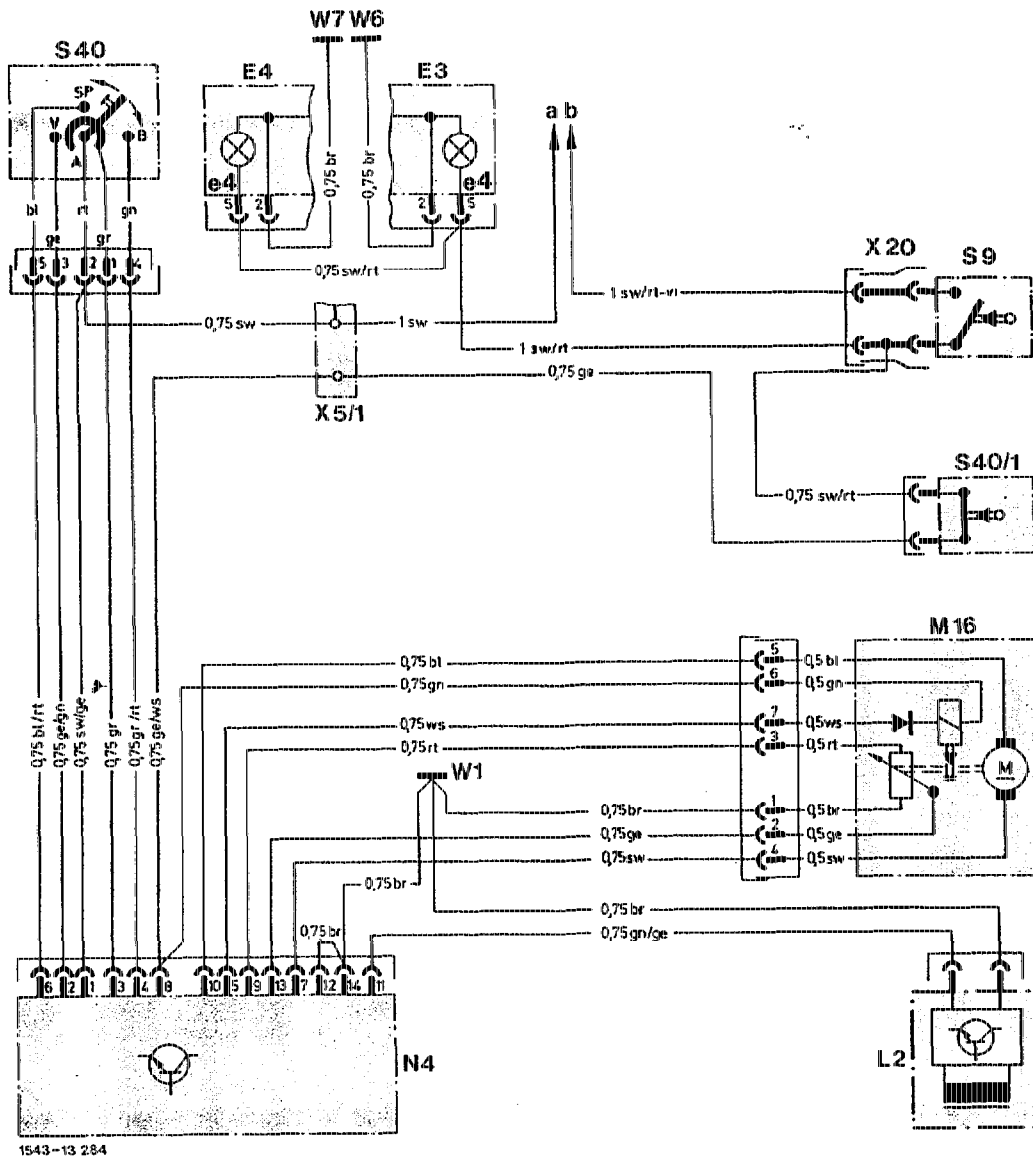
Model 201.128 (USA) 1987

- B6 Hall-effect speed sensor
- E3 Left tail lamp unit
- E3e4 Stop lamp
- E4 Right tail lamp unit
- E4e4 Stop lamp
- M16 Cruise control actuator
- N4/2 Cruise control amplifier with reference resistor
- R29 Cruise control reference resistor
- S9 Stop lamp switch
- S40 Cruise control switch
- V Decelerate/set
- B Accelerate/set
- SB Resume
- A Off

- W1 Main ground (behind instrument cluster)
- W6 Ground, left rear wheelhouse in trunk
- W7 Ground, right rear wheelhouse in trunk
- X5/1 Terminal block, interior (5-pole)
- A/B ident. colour black
- E ident. colour yellow
- X20 Connector, stop lamp switch
- X53/5 Multipoint connector, Hall-effect sensor
- a On electrical center, coupling field C, line-up 1
- b On electrical center, coupling field L, line-up 1

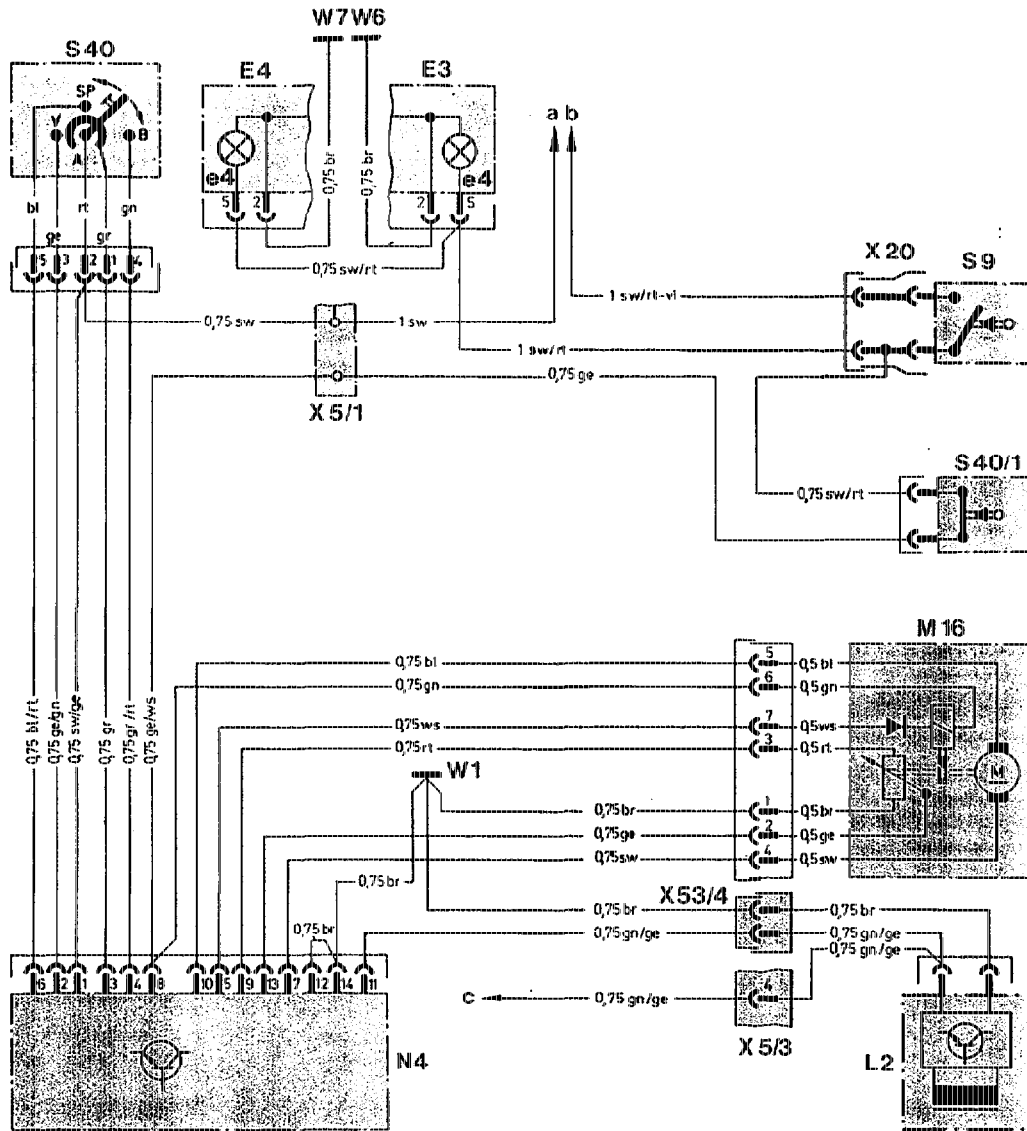


H. Model 201 with diesel engine and manual transmission



Model 201.122 (USA) 1984 except California

E3	Left tail lamp unit	S40/1	Clutch pedal switch (cruise control)
E3e4	Stop lamp	W1	Main ground (behind instrument cluster)
E4	Right tail lamp unit	W6	Ground, left rear wheelhouse in trunk
E4e4	Stop lamp	W7	Ground, right rear wheelhouse in trunk
L2	Road speed sensor	X5/1	Terminal block, interior (5-pole)
M16	Cruise control actuator	X20	Connector, stop lamp switch
N4	Cruise control amplifier	a	On electrical center, coupling field L, line-up 1
S9	Stop lamp switch	b	On electrical center, coupling field C, line-up 1
S40	Cruise control switch		
V	Decelerate/set		
B	Accelerate/set		
SB	Resume		
A	Off		

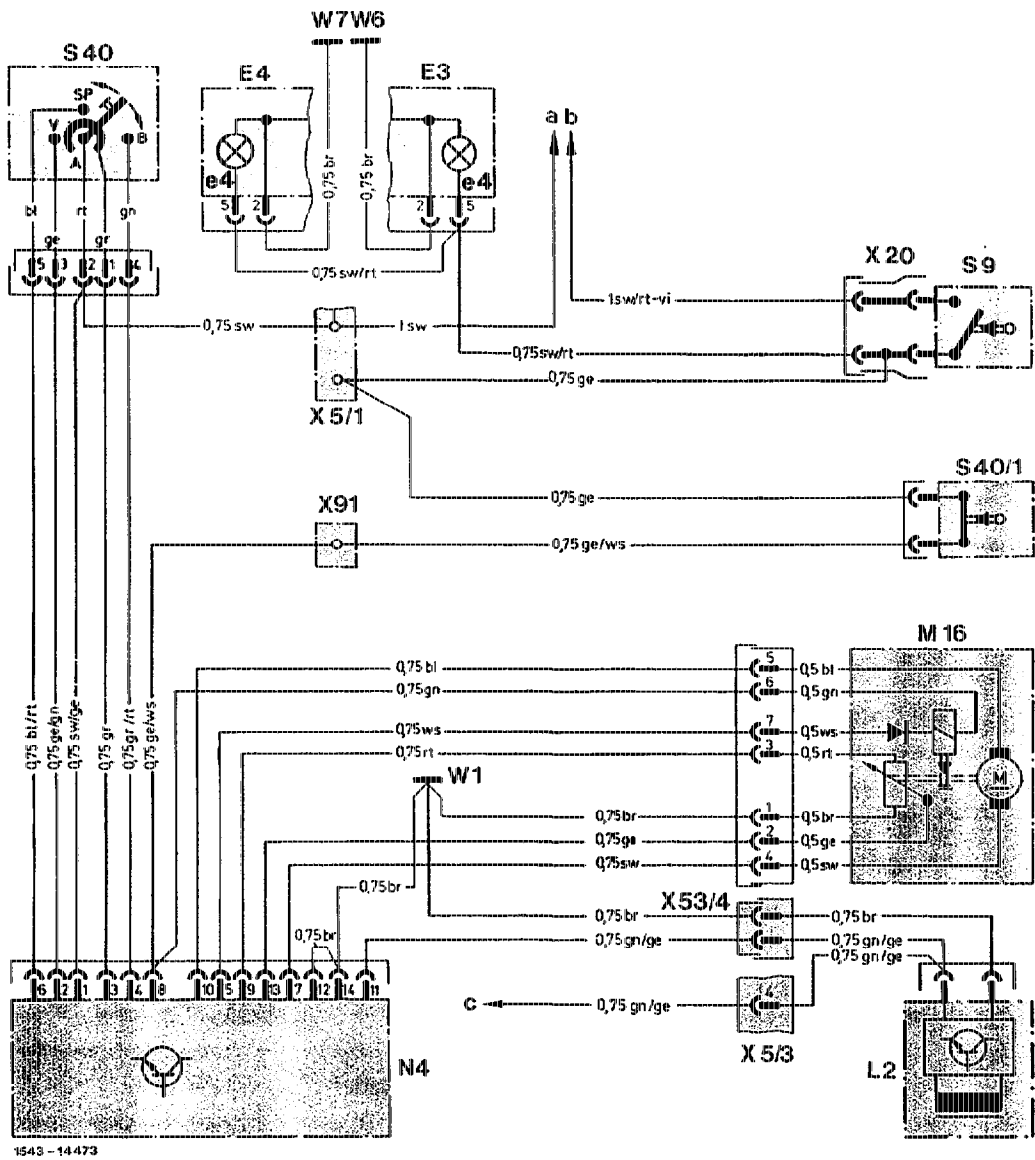


1543--13 288/11

Model 201.122 (USA) 1985 up to vehicle ident. end no. A 209722/F 089783 and California 1984

E3	Left tail lamp unit	S40/1	Clutch pedal switch (cruise control)
E3e4	Stop lamp	W1	Main ground (behind instrument cluster)
E4	Right tail lamp unit	W6	Ground, left rear wheelhouse in trunk
E4e4	Stop lamp	W7	Ground, right rear wheelhouse in trunk
L2	Road speed sensor	X5/1	Terminal block, interior (5-pole)
M16	Cruise control actuator	X5/3	Connector, interior/A/C compressor harness
N4	Cruise control amplifier	X20	Connector, stop lamp switch
S9	Stop lamp switch	X53/4	Connector, inductive sensor/EGR (2-pole)
S40	Cruise control switch	a	On electrical center, coupling field L, line-up 1
V	Decelerate/set	b	On electrical center, coupling field C, line-up 1
B	Accelerate/set	c	On control unit exhaust gas recirculation line-up 5
SB	Resume		
A	Off		



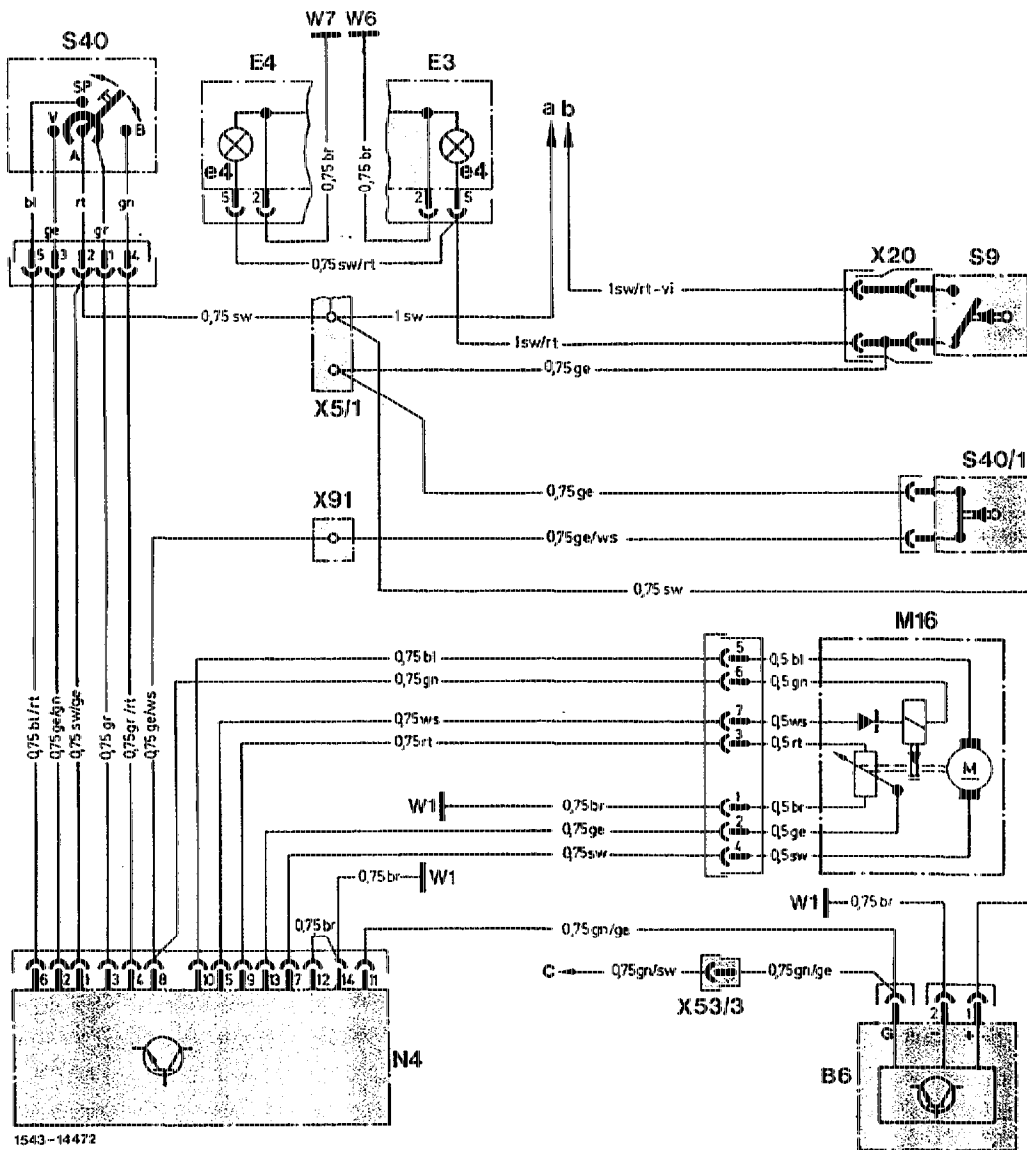


1543 - 14473

Model 201.122 (USA) 1985 as of vehicle ident end no. A 209723/F 089774

E3	Left tail lamp unit	W1	Main ground (behind instrument cluster)
E3e4	Stop lamp	W6	Ground, left rear wheelhouse in trunk
E4	Right tail lamp unit	W7	Ground, right rear wheelhouse in trunk
E4e4	Stop lamp	X5/1	Terminal block, interior (5-pole)
L2	Road speed sensor	X5/3	Connector, interior/A/C compressor harness
M16	Cruise control actuator	X20	Connector, stop lamp switch
N4	Cruise control amplifier	X53/4	Connector, inductive sensor/EGR (2-pole)
S9	Stop lamp switch	X91	Terminal block, clutch pedal/cruise control 1-pole
S40	Cruise control switch		
V	Decelerate/set	a	On electrical center, coupling field L, line-up 1
B	Accelerate/set	b	On electrical center, coupling field C, line-up 1
SB	Resume	c	On control unit exhaust gas recirculation line-up 5
A	Off		
S40/1	Clutch pedal switch (cruise control)		





1543-14472

Model 201.126 (USA) 1986 up to vehicle ident. end no. F 229814

B6	Hall-effect speed sensor	S40/1	Clutch pedal switch (cruise control)
E3	Left tail lamp unit	W1	Main ground (behind instrument cluster)
E3e4	Stop lamp	W6	Ground, left rear wheelhouse in trunk
E4	Right tail lamp unit	W7	Ground, right rear wheelhouse in trunk
E4e4	Stop lamp	X5/1	Terminal block, interior (5-pole)
M16	Cruise control actuator	X20	Connector, stop lamp switch
N4	Cruise control amplifier	X53/3	Connector, Hall-effect sensor/EGR (1-pole)
S9	Stop lamp switch	X91	Terminal block, clutch pedal/cruise control 1-pole
S40	Cruise control switch	a	On electrical center, coupling field L, line-up 1
V	Decelerate/set	b	On electrical center, coupling field C, line-up 1
B	Accelerate/set	c	On control unit exhaust gas recirculation line-up 5
SB	Resume		
A	Off		



