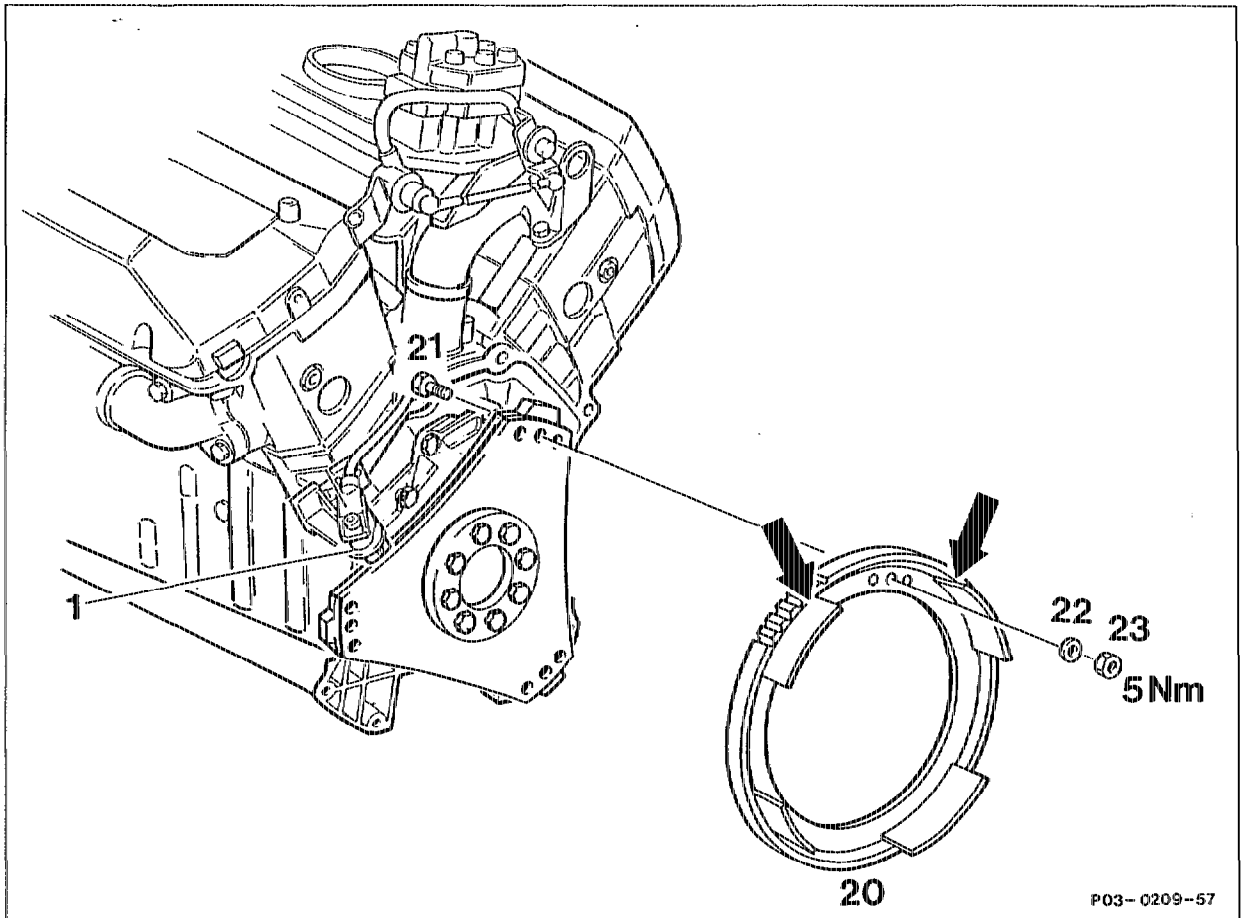


03-4300 Replacing ring gear

Preceding work:
Transmission removed (27-600)

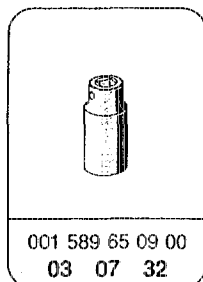
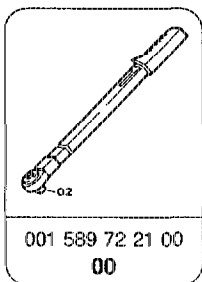
Operation no. of operation texts and work units or standard texts
and flat rates
03-8312, 8321



Engine
Ring gear(20)

rotate so that no segments (arrows) of the ring gear (20) are touching the bracket (1).
take off, fit on (5 Nm).
Pay attention to installation position (see note).

Special tools



Data

Permissible variation from concentricity at ring gear	0.3 mm
Centering collar dia. for driven plate (1.5 mm thick)	296.00 – 296.05 mm

Note

Driven plates and ring gear are balanced individually; they may be replaced without being balanced.



The ring gear must be installed so that the 3.5 mm dia. holes (arrows) in the ring gear (20) and in the driven plates (18) have the same angular position otherwise proper operation of the ignition is not assured.

