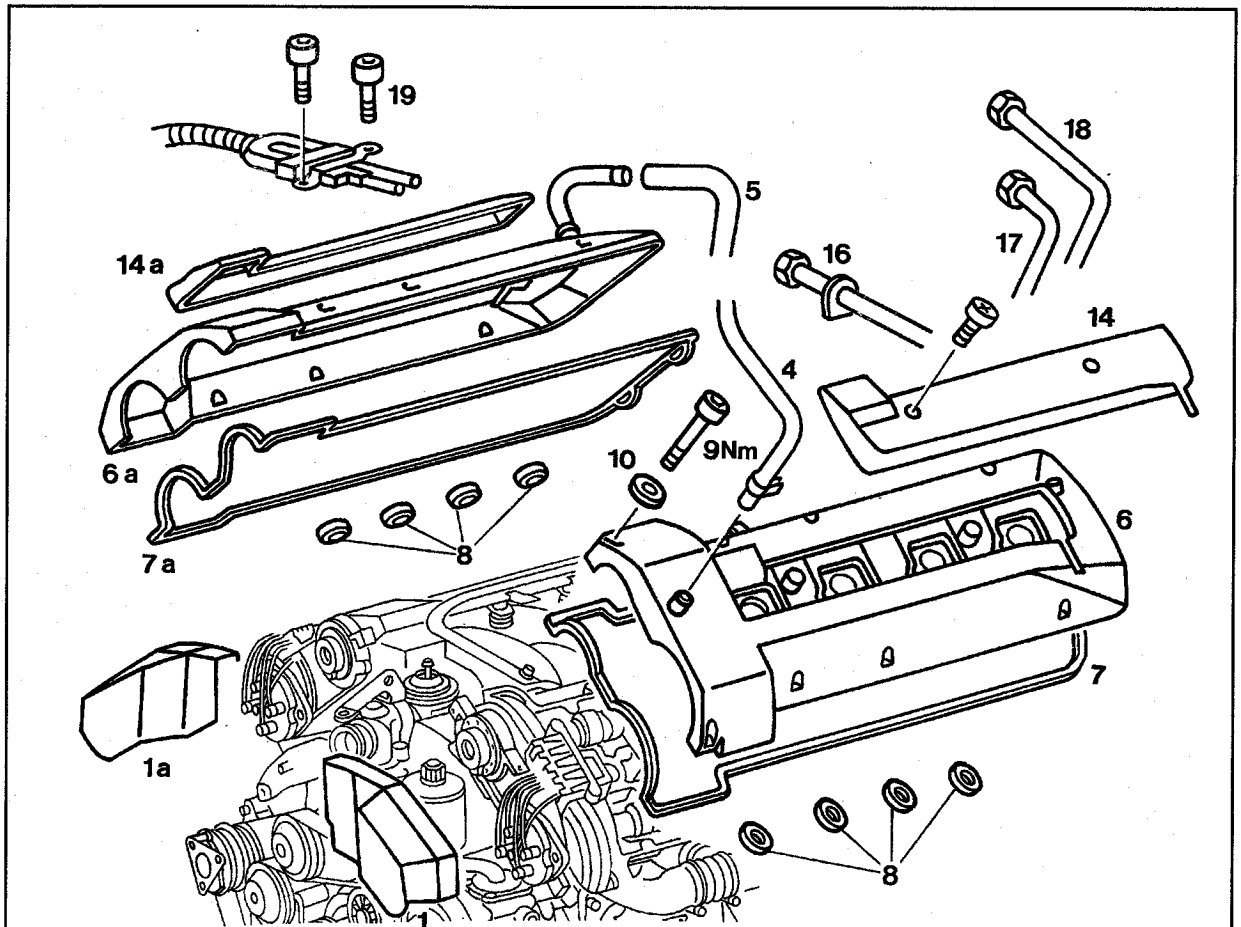


01-0500 Removing and installing cylinder head covers

Preceding work:
 Engine 119.96/97: Air cleaner removed (09-0015).

Operation no. of operation texts and work units or standard texts
 and flat rates
 01-5070



P01-5789-57

Engine 119.97

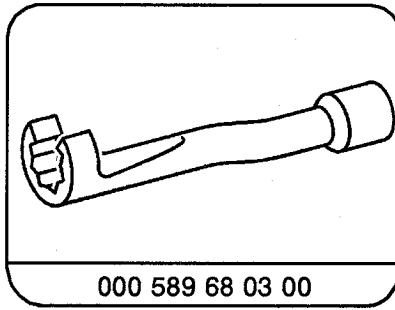
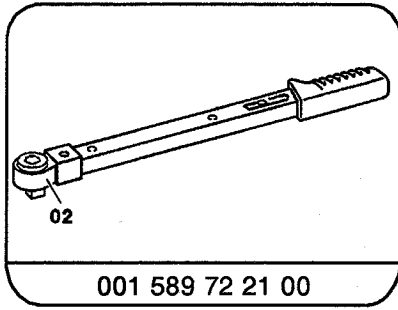
Model 210: cover over intake manifold	remove, install
Crankcase ventilation lines (4) and (5)	detach, fit on.
Engine 119.960: vacuum line at crankcase ventilation line (4)	detach, fit on.
Engine 119.960/97: engine wiring harness (19) at right cylinder head cover (6a)	unbolt, bolt on.
Vacuum line (16) of brake servo unit at intake manifold	unbolt, bolt on.
Covers (1) and (1a) over high voltage distributors	unclip, remove, install.
Fuel filler cap	open, release pressure, close.
Engine 119.960: fuel lines at pressure regulator and fuel distributor	disconnect, connect (07.3-1674).

Engine 119.97/98: fuel pipes (17) and (18) at fuel rail	disconnect, connect. Use box wrench bit 000 589 68 03 00; see note.
	⚠ Installation model 210 Ensure the pipes are correctly routed; fuel pipes must not be touching cylinder head cover and engine cover.
Shaft covers (14) and (14a) over spark plug cables and ignition coils	unscrew, take off, fit on.
Engine 119.96/97: spark plug connectors	unplug, plug in (15-1031).
Engine 119.98: ignition coils	unscrew, remove, install.
Engine 119.985 in model 210: windscreen washer fluid reservoir	unbolt, swing to the side with lines connected so that left cylinder head cover can be removed and installed.
Bolts of cylinder head covers with seals (10)	remove, screw on (9 Nm).
	⚠ Pay attention to different lengths of bolts (see bolt diagram).
Cylinder head covers (6) and (6a) with gaskets (7) and (7a) and shaft seals (8)	take off, fit on.
	Note Replace all gaskets together, ensure crankcase ventilation syphon at left cylinder head cover is correctly located in the drain hole.
Engine	run and check for leaks, particularly at rear; see installation note.

Tightening torque in Nm

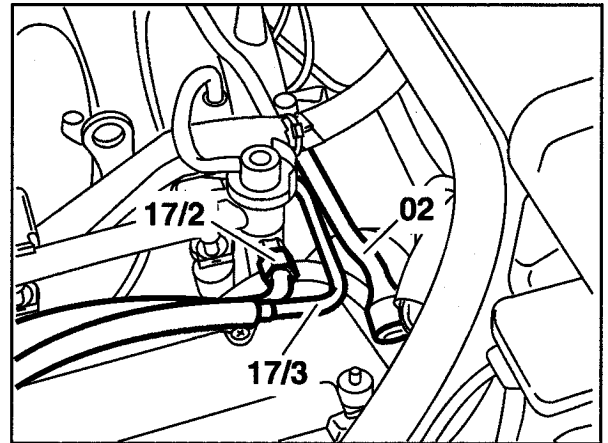
Bolts of cylinder head cover

Special tools



Note engine 119.97/98

Use box wrench bit (02) 000 589 68 03 00 to unscrew fuel pipes (17, 18) and to screw on.



P01.10-0261-13

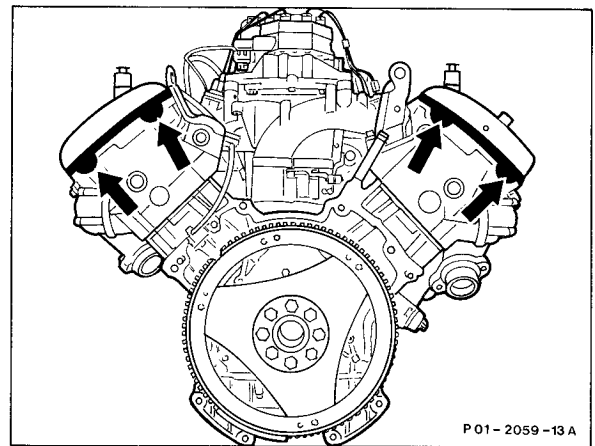
Installation note

Overlaps at the cylinder head cover gaskets at rear (arrows) must be correctly installed.

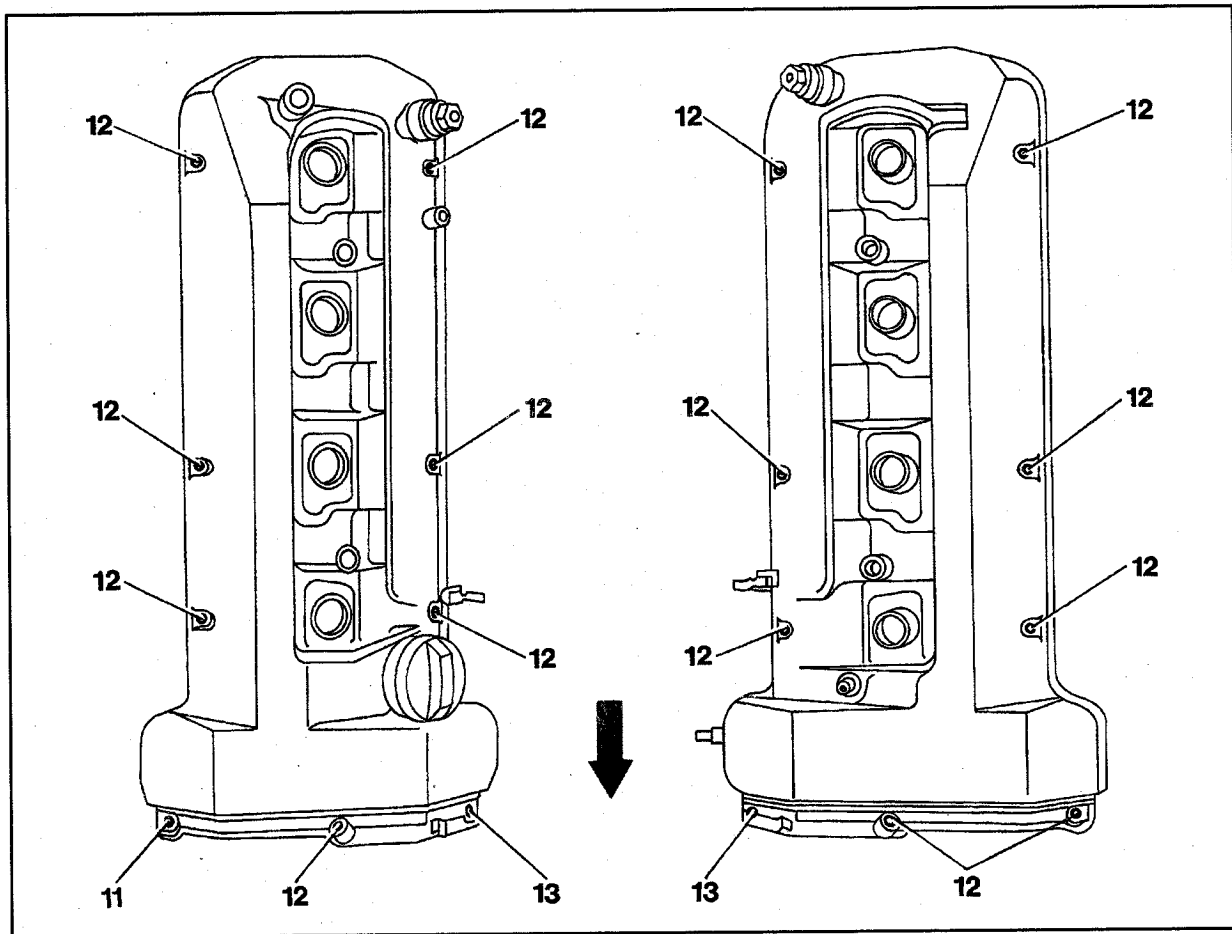


Replace gaskets which are kinked outwards or inwards at the side.

When performing repairs, install gaskets with identification 119 016 08 21 RA on right side and 119 016 07 21 LA on left side (identification in raised lettering).



Bolt diagram



P01-5790-57

Engine 119.97

1st version (bolt head height 6 mm)

- 11 M6 × 30 hexagon socket bolt
- 12 M6 × 35 hexagon socket bolt
- 13 M6 × 45 hexagon socket bolt

2nd version (bolt head height 4 mm)

- 12 M6 × 33 hexagon socket bolt
- 13 M6 × 45 hexagon socket bolt