

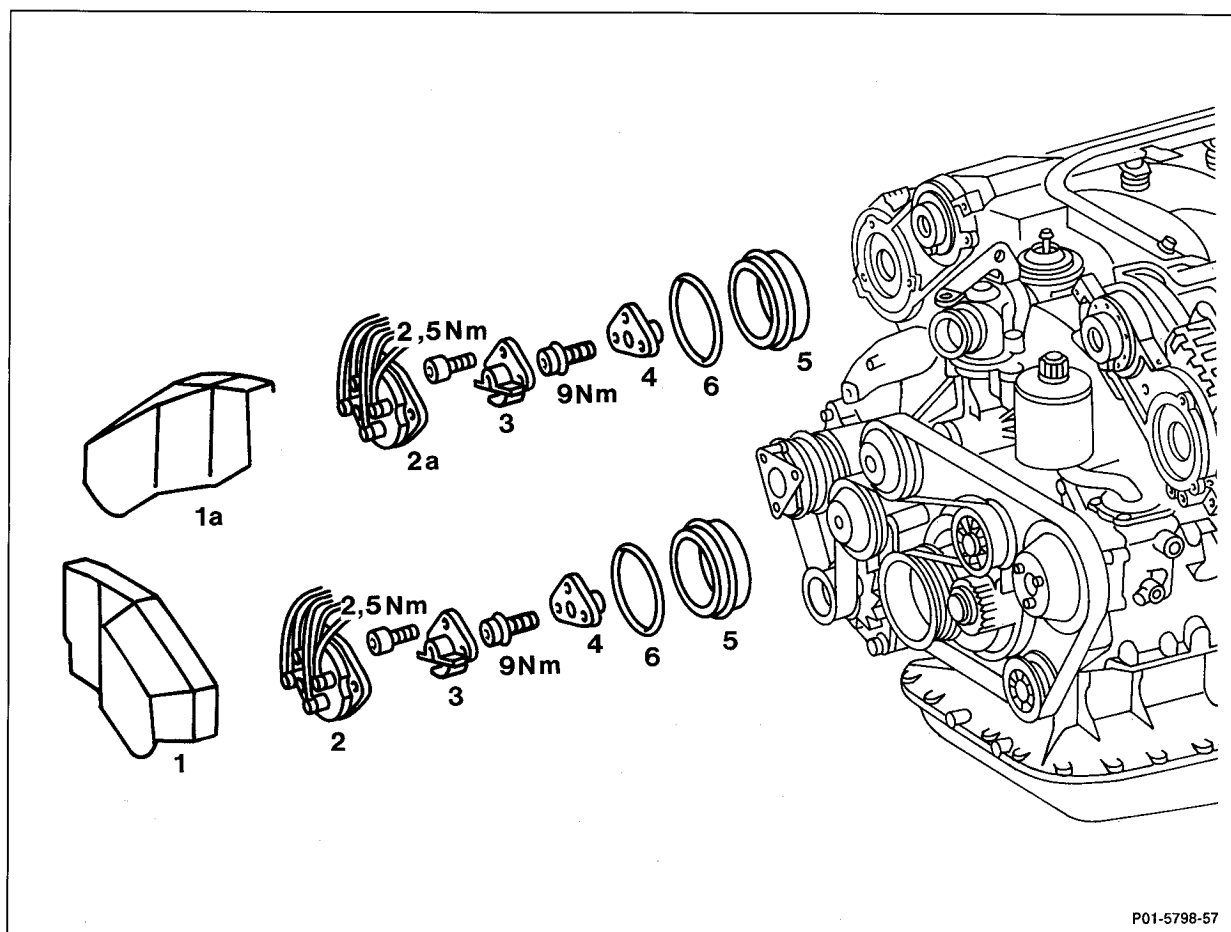
01-2130 Removing and installing driver on camshaft

Preceding work:

Removing and installing intake air hoses (09-0015).

Model 124: removing and installing intake air scoops (09-0060).

Engine 119.96/97



P01-5798-57

Shielding caps (1) and (1a) at the side	unclip, take off, fit on.
High voltage distributors (2) and (2a)	unbolt, bolt on.
Distributor rotor (3)	unbolt, bolt on (2.5 Nm).
Driver (4)	unbolt, bolt on (9 Nm).

Installation note

The slot of the driver (4) must engage in the locating pin in the camshaft.

Protective cover (5) together with seal (6)	take off, fit on.
---	-------------------