

Component connections

		Page No.	Fig. No.
A9x1	A/C compressor connector	B.1/3	15
A12x1	Tailgate closing assist connector	B.1/12	56
A12x2	Tailgate microswitch connector	B.1/12	56
A26/1x1	Left front door infrared remote control receiver connector	B.1/4	19
B10/5x1	Outside temperature sensor connector	B.1/11	54
B10/6x1	Evaporator temperature sensor connector	B.1/13	63
E3x1	Left taillamp unit connector	B.1/12	60
G3/2x1	Oxygen sensor heater coil connector (2-pole)	B.1/6	28
G3/2x2	Oxygen sensor signal connector (1-pole)	B.1/6	28
L3x1	Starter ring gear speed sensor connector	B.1/3	13
L6x1	Rear axle vehicle speed sensor harness connector	B.1/6	30
L6/1x1	Left front axle vehicle speed sensor harness connector	B.1/6	29
L6/2x1	Right front axle vehicle speed sensor harness connector		
	Model 124.034/.036	B.1/7	32
L6/2x1	Right front axle vehicle speed sensor harness connector (except model 124.034/.036)	B.1/1	3
M4m1x1	Left auxiliary fan connector	B.1/4	17
M4m2x2	Right auxiliary fan connector	B.1/4	17
M4x1	Left auxiliary fan connector	B.1/4	18
M6/2x1	Left headlamp wiper motor connector	B.1/6	26
M6/3x1	Right headlamp wiper motor connector	B.1/6	26
M6/4x1	Rear window wiper motor connector	B.1/12	59
M10/3x1	Left front power window motor connector	B.1/7	34
M10/4x1	Right front power window motor connector	B.1/7	34
M10/5x1	Left rear power window motor connector	B.1/7	35
M10/6x1	Right rear power window motor connector	B.1/7	35
M14/1x1	Supply pump voltage supply connector (central locking system)	B.1/8	37
M14/1x2	Supply pump control line connector (central locking system)	B.1/8	37
M14/1x3	Infrared remote control line connector	B.1/8	37
M14/2x1	Supply pump voltage supply connector (central locking system/orthopedic backrest)	B.1/8	37
M14/2x2	Supply pump control line connector (central locking system/orthopedic backrest)	B.1/8	37
M14/2x3	Infrared remote control line connector	B.1/8	37

Component connections

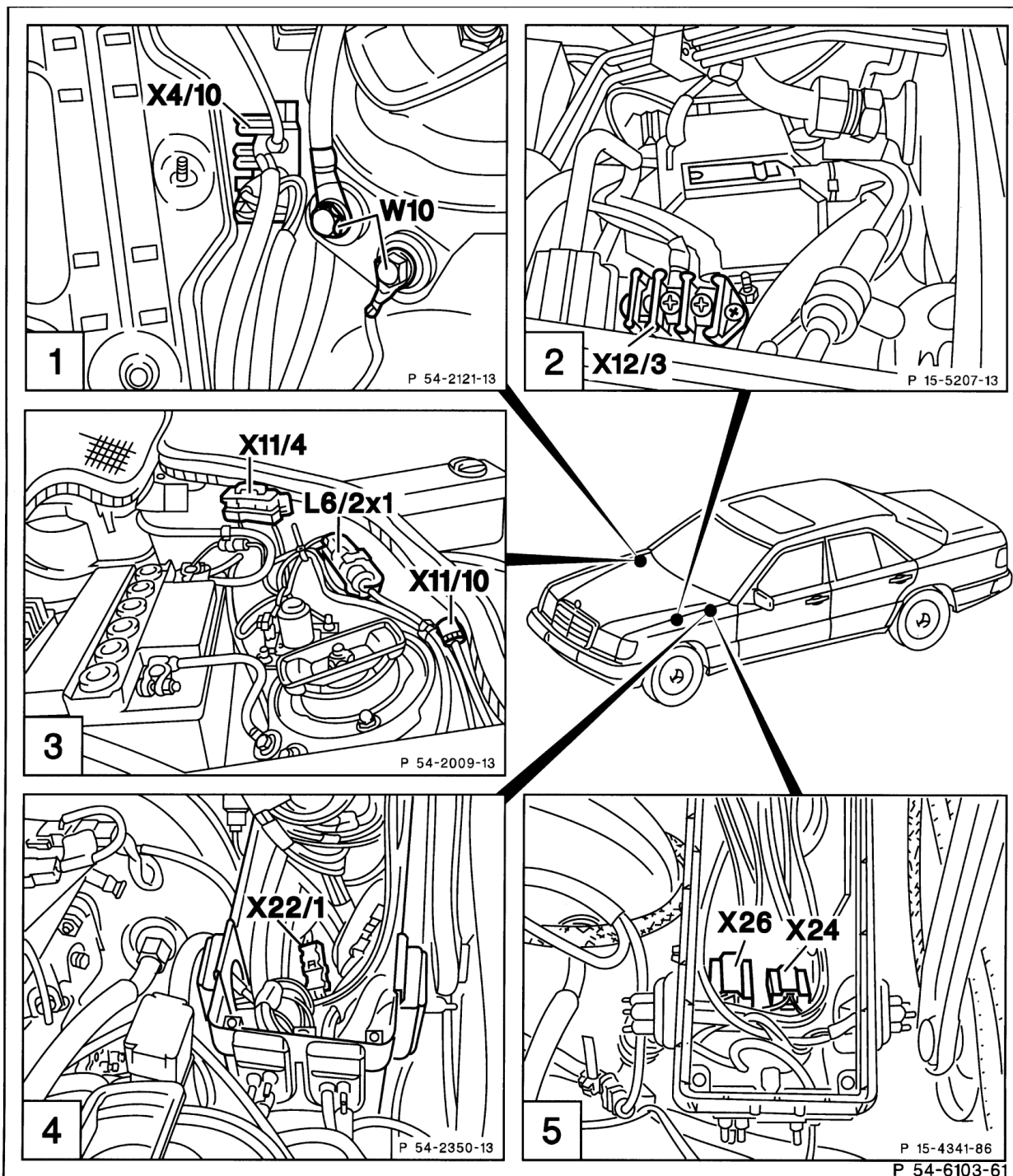
		Page No.	Fig. No.
S4x1	Combination switch connector	B.1/10	48
S8/2x1	Warning buzzer contact connector (exterior lamps/central locking system)	B.1/10	46
S10/1x1	Left front brake pad wear sensor connector	B.1/9	42
S10/2x1	Right front brake pad wear sensor connector	B.1/9	41
S40x1	Cruise control switch connector	B.1/8	39
S62/1x1	Left front door switch connector (ATA)	B.1/8	36
S62/1x1	Left front door switch connector (ATA)	B.1/8	38
S62/2x1	Right front door switch connector (ATA)	B.1/8	36
S62/2x1	Right front door switch connector (ATA)	B.1/8	38
S68/1x1	Left front seat belt buckle switch connector (seat belt extender/reminder)	B.1/8	40
S68/2x1	Right front seat belt buckle switch connector (seat belt extender)	B.1/9	43
S68/3x1	Left front seat belt buckle switch connector (airbag/ETR)	B.1/8	40
S68/4x1	Right front seat belt buckle switch connector (airbag/ETR)	B.1/9	43
S86/1x1	Left front door lock switch connector (convenience)	B.1/9	44
S87/1x1	Right front door lock switch connector (convenience)	B.1/9	44
S88/2x1	Trunk lid lock switch connector (convenience)	B.1/9	45
Y3/1x1	Valve block connector	B.1/6	27

Harness connectors

		Page No.	Fig. No.
X1/4	Automatic antenna connector	B.1/5	25
X4/1	Terminal block (terminal 30, interior)	B.1/10	49

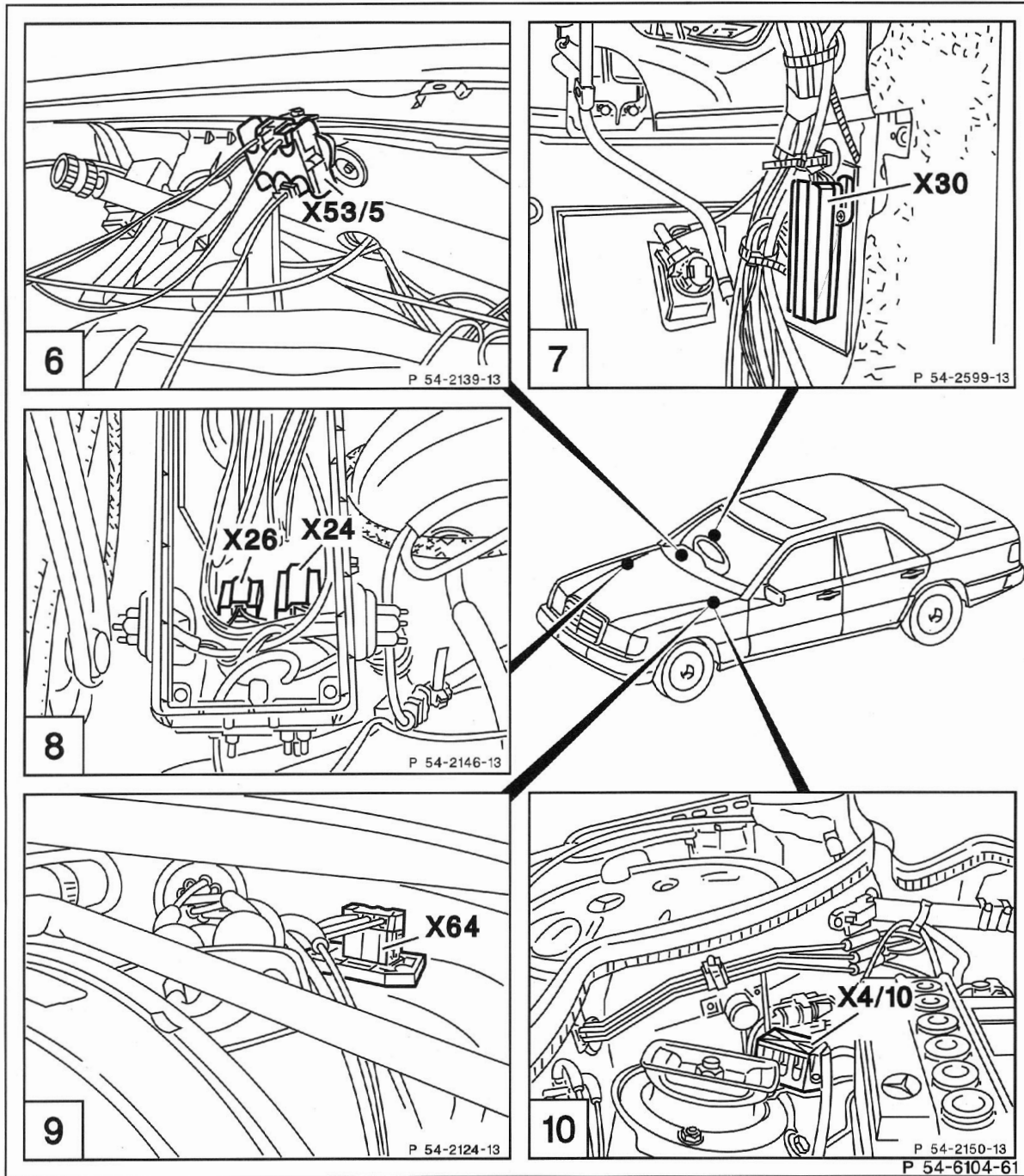
Component connections

		Page No.	Fig. No.
X4/10	Terminal block (terminal 30/terminal 61 battery) (3-pole) (except model 124.034/.036)	B.1/1	1
X4/10	Terminal block (terminal 30/30Ü/61e/87L , 6-pol) Model 124.034/.036	B.1/7	31
X6	Terminal block (terminal 58d) (2-pole)	B.1/10	47
X11	Diagnostic connector/terminal block (circuit TD) Model 124.034/.036	B.1/7	33
X11/4	Diagnostic connector (diagnostic trouble code, 16-pole) (USA) (except model 124.034/.036) Model 124.034/.036	B.1/1 B.1/7	3 32
X12/3	Terminal block (terminal 15/15 unfused) (3-pole)	B.1/1	2
X18	Interior/taillamp harness connector (8-pole)	B.1/10	49
X20	Stop lamp switch connector (2-pole)	B.1/10	50
X21	Stop lamp switch multipoint connector	B.1/3	11
X22/1	Transmission overload protection connector (3-pole)	B.1/1	4
X23/3	Soft top/interior connector (14-pole)	B.1/11	53
X23/4	Roll bar/power windows connector (2-pole)	B.1/11	51
X23/6	Soft top harness/soft top limit switch connector (4-pole)	B.1/13	62
X24	Headlamp harness connector (6-pole)	B.1/1	5
X26	Interior/engine connector (12-pole)	B.1/1	5
X27	Starter harness connector	B.1/5	24
X30	Accessory equipment connector block	B.1/5	23
X42/11	Harness connector (tailgate) (3-pole)	B.1/12	58
X42/17	Anti-theft alarm starter/starter lock-out connector (2-pole)	B.1/13	61
X42/18	Anti-theft alarm starter lock-out connector (6-pole)	B.1/13	63
X43	Anti-theft alarm connector (central locking system) (3-pole)	B.1/5	22
X49/1	Backup lamp switch connector	B.1/13	63
X49/2	Backup lamp/starter lock-out switch connector	B.1/13	63
X53/5	Hall-effect sensor multipoint connector (vehicle speed signal)	B.1/5	21
X62/8	Rear axle multiple circuit junction connector	B.1/11	52
X64	Blower regulator/interior harness connector	B.1/2	9
X64/4	Dual auxiliary fan connector (2-pole)	B.1/4	18
X81/4	Engine, chassis/cruise control/electronic accelerator connector (8-pole)		
X88/5	Left front brake pad wear sensor connector	B.1/9	42
X95	"CHECK ENGINE" malfunction indicator lamp connector	B.1/9	41

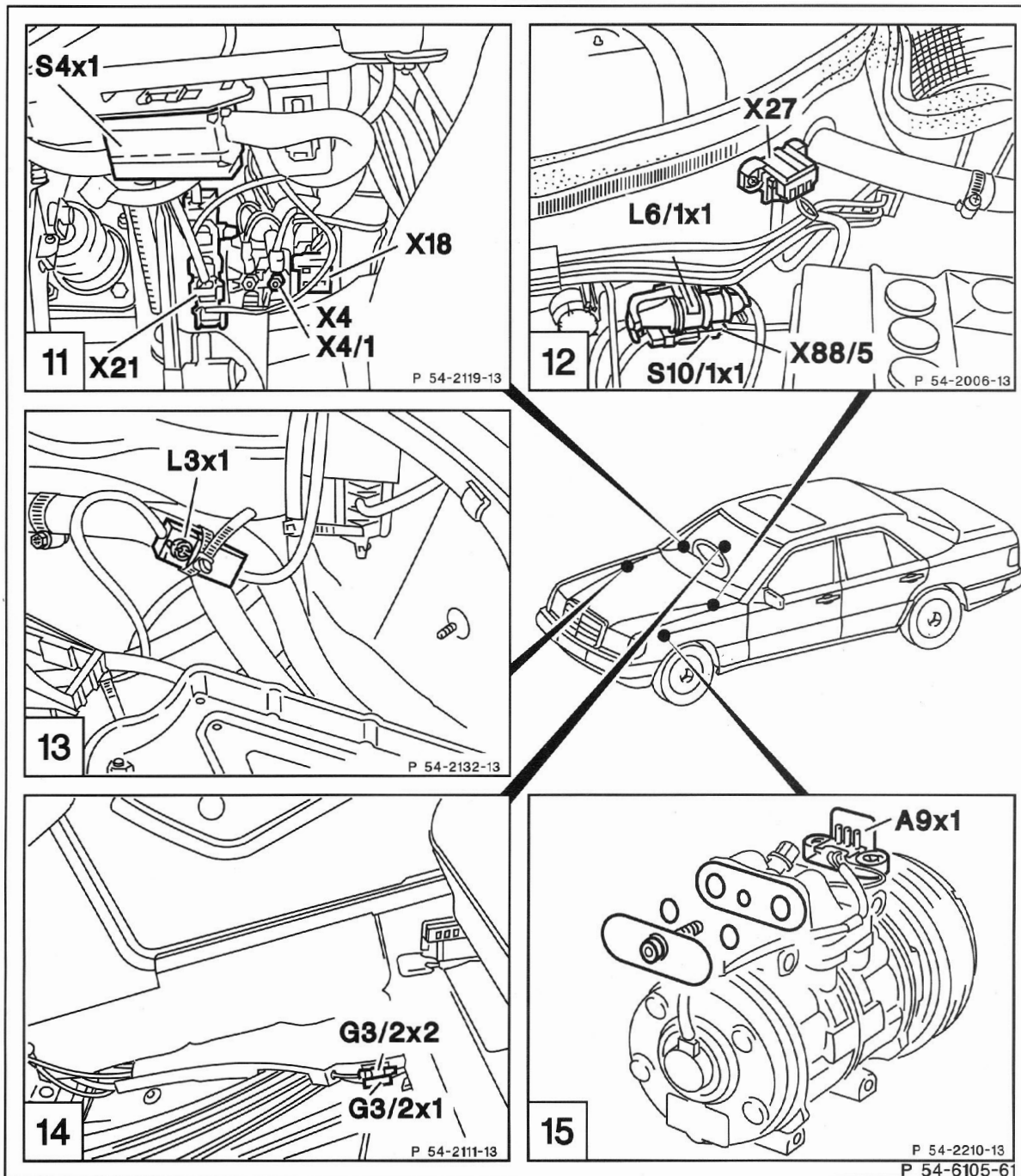


- L6/2x1 Right front axle vehicle speed sensor harness connector
- X4/10 Terminal block (terminal 30/terminal 61 battery) (3-pole)
- X11/4 Diagnostic connector (diagnostic trouble code, 16-pole) (USA)

- X12/3 Terminal block (terminal 15/15 unfused) (3-pole)
- X22/1 Transmission overload protection connector (3-pole)
- X24 Headlamp harness connector (6-pole)
- X26 Interior/engine connector (12-pole)

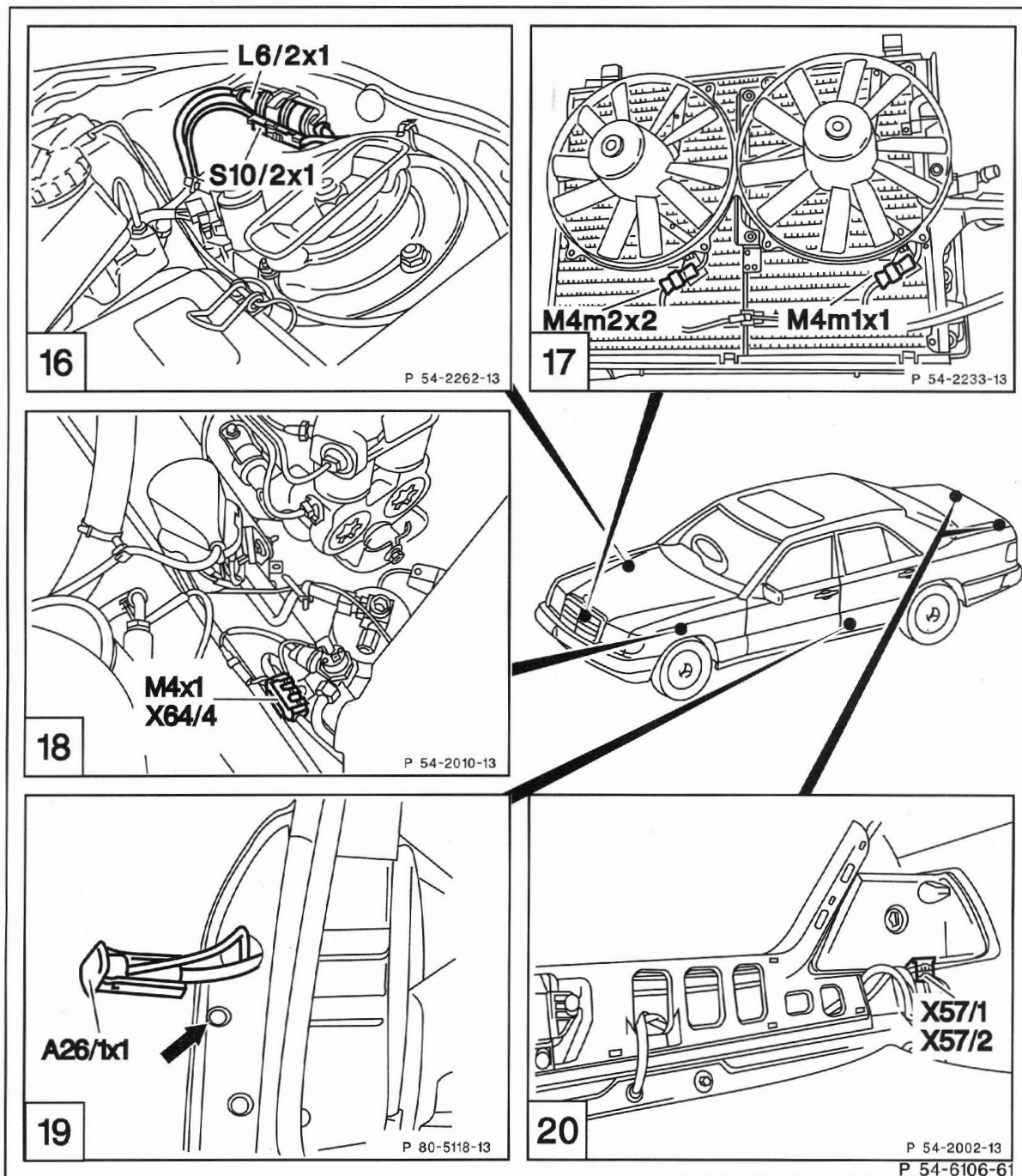


X64 Blower regulator/interior harness connector



A9x1 A/C compressor connector
L3x1 Starter ring gear speed sensor connector

S10/1x1 Left front brake pad wear sensor connector
X21 Stop lamp switch multipoint connector



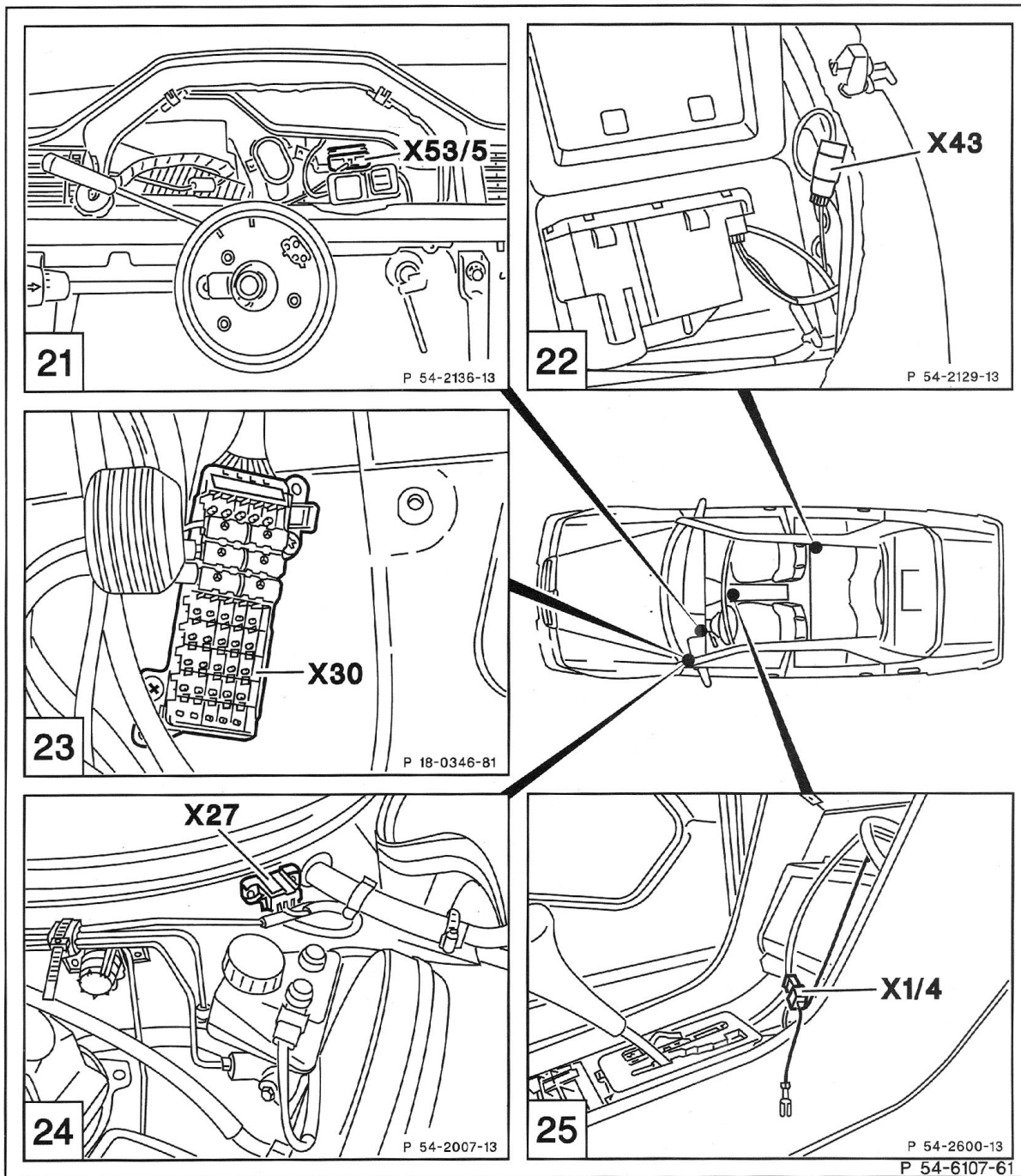
A26/1x1 Left front door infrared remote control receiver connector

M4m1x1 Left auxiliary fan connector

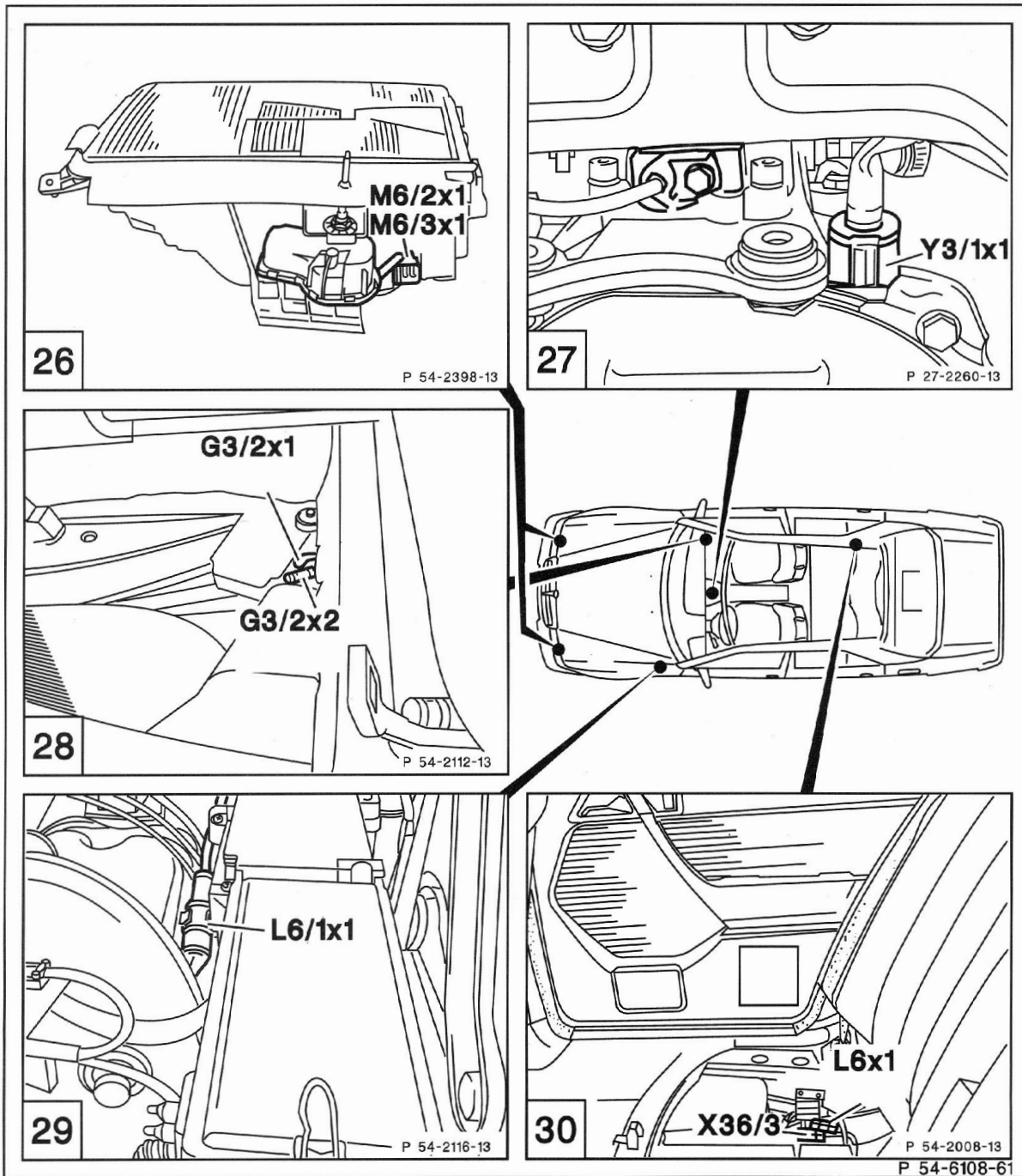
M4m2x2 Right auxiliary fan connector

S10/2x1 Right front brake pad wear sensor connector

X64/4 Dual auxiliary fan connector (2-pole)



- | | | | |
|------|-------------------------------------|-------|--|
| X1/4 | Automatic antenna connector | X43 | Anti-theft alarm connector (central locking system) (3-pole) |
| X27 | Starter harness connector | X53/5 | Hall-effect sensor multipoint connector (vehicle speed signal) |
| X30 | Accessory equipment connector block | | |



G3/2x1 Oxygen sensor heater coil connector
(2-pole)

G3/2x2 Oxygen sensor signal connector
(1-pole)

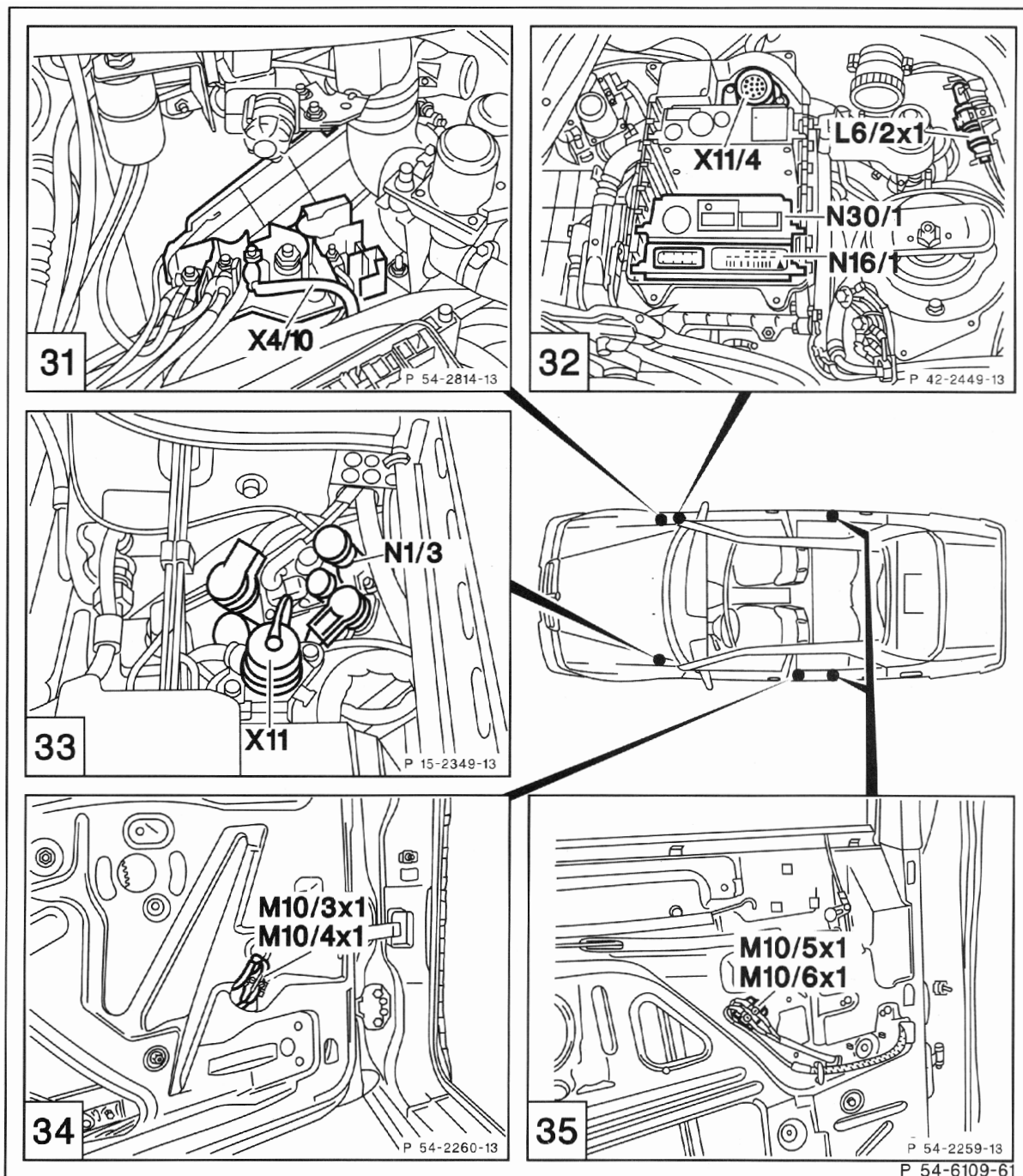
L6x1 Rear axle vehicle speed sensor
harness connector

L6/1x1 Left front axle vehicle speed sensor
harness connector

M6/2x1 Left headlamp wiper motor connector

M6/3x1 Right headlamp wiper motor connector

Y3/1x1 Valve block connector



L6/2x1 Right front axle vehicle speed sensor harness connector

M10/3x1 Left front power window motor connector

M10/4x1 Right front power window motor connector

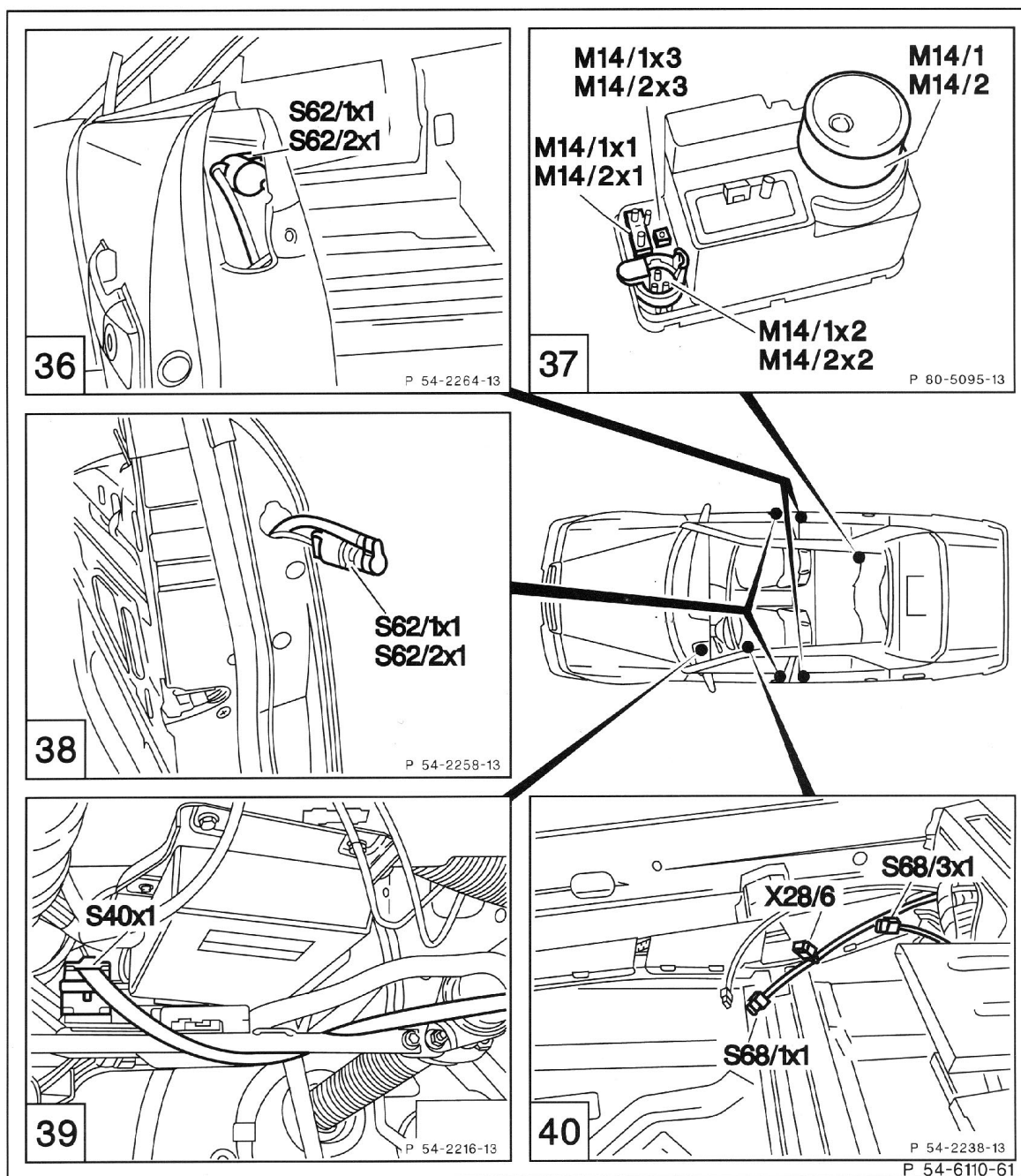
M10/5x1 Left rear power window motor connector

M10/6x1 Right rear power window motor connector

X4/10 Terminal block (terminal 30/terminal 61 battery) (3-pole)

X11 Diagnostic connector/terminal block (circuit TD)

X11/4 Diagnostic connector (diagnostic trouble code, 16-pole) (USA)



M14/1x1 Supply pump voltage supply connector
(central locking system)

M14/1x2 Supply pump control line connector
(central locking system)

M14/1x3 Infrared remote control line connector

M14/2x1 Supply pump voltage supply connector
(central locking system/orthopedic
backrest)

M14/2x2 Supply pump control line connector
(central locking system/orthopedic
backrest)

M14/2x3 Infrared remote control line connector

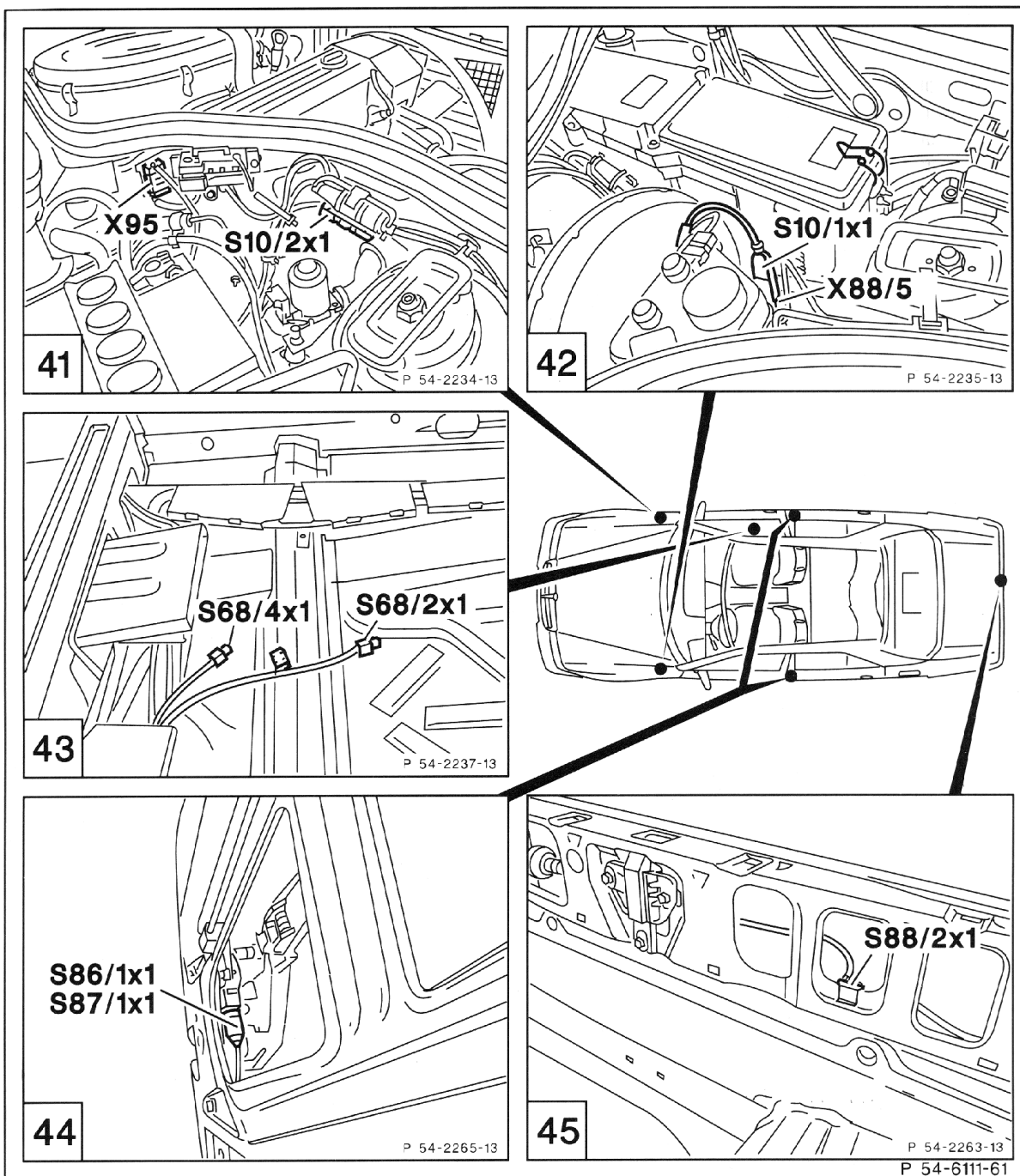
S40x1 Cruise control switch connector

S62/1x1 Left front door switch connector (ATA)

S62/2x1 Right front door switch connector
(ATA)

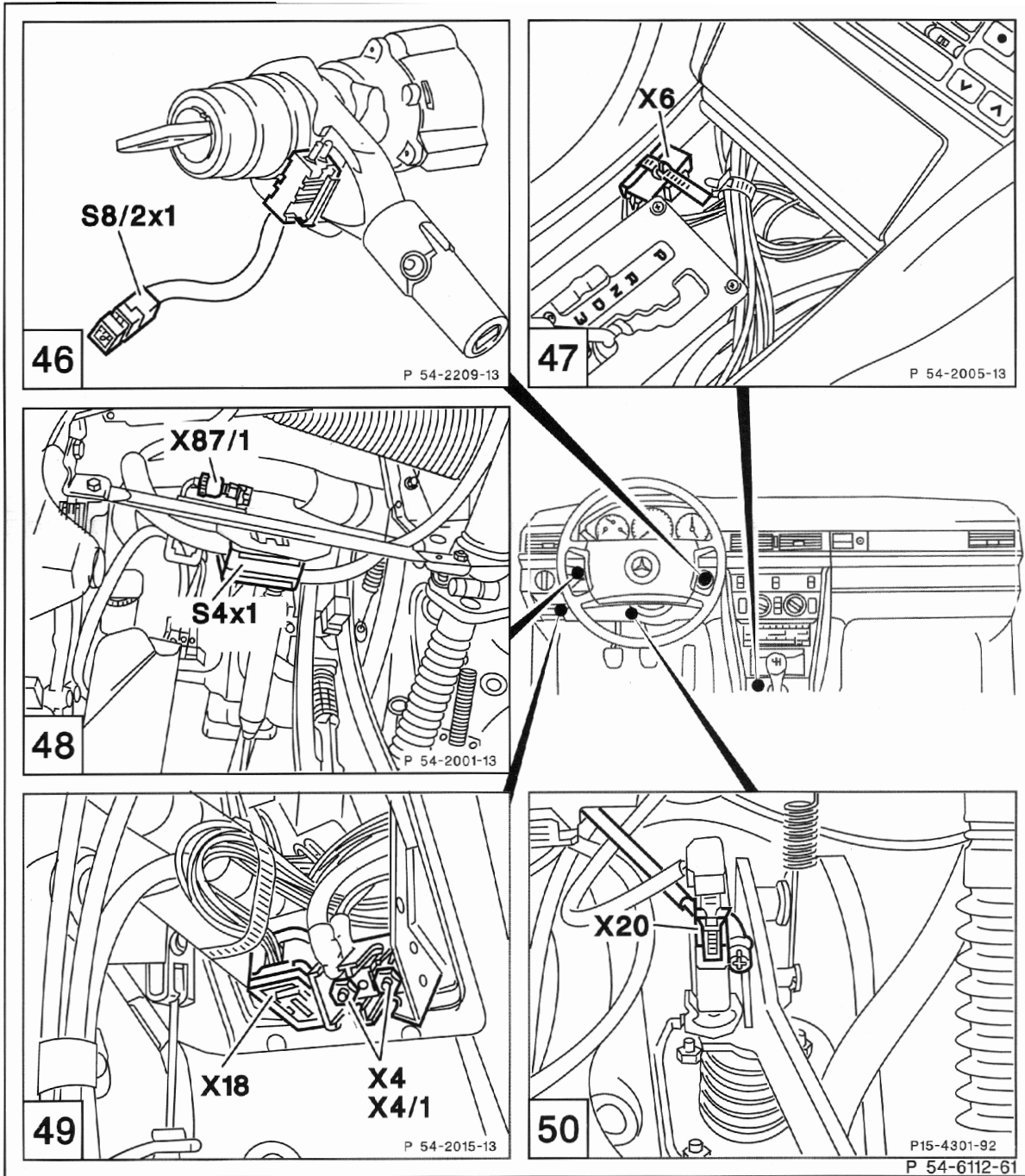
S68/1x1 Left front seat belt buckle switch
connector (seat belt
extender/reminder)

S68/3x1 Left front seat belt buckle switch
connector (airbag/ETR)



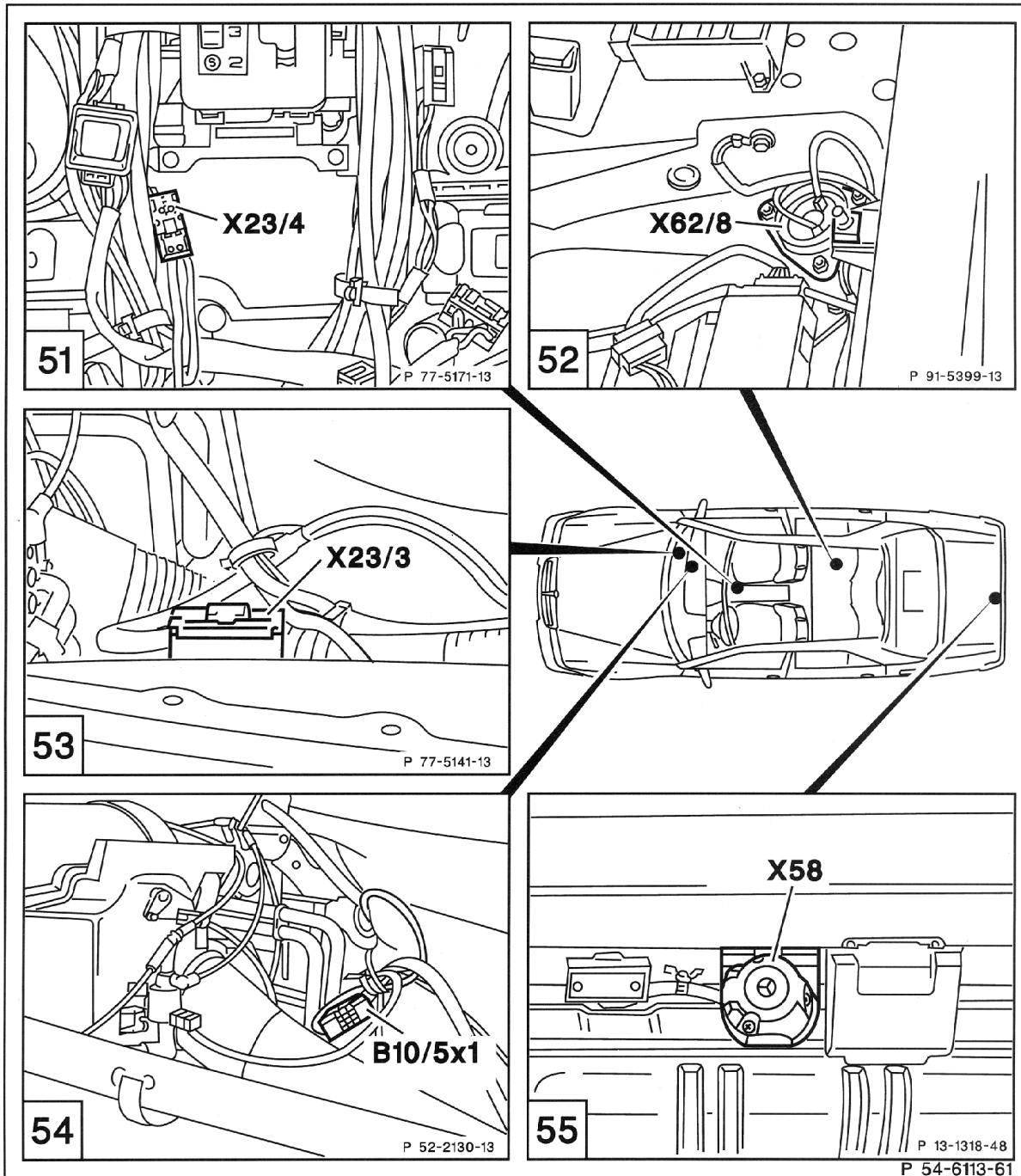
- S10/1x1 Left front brake pad wear sensor connector
- S10/2x1 Right front brake pad wear sensor connector
- S68/2x1 Right front seat belt buckle switch connector (seat belt extender)
- S68/4x1 Right front seat belt buckle switch connector (airbag/ETR)

- S86/1x1 Left front door lock switch connector (convenience)
- S87/1x1 Right front door lock switch connector (convenience)
- S88/2x1 Trunk lid lock switch connector (convenience)
- X88/5 Left front brake pad wear sensor connector
- X95 "CHECK ENGINE" malfunction indicator lamp connector



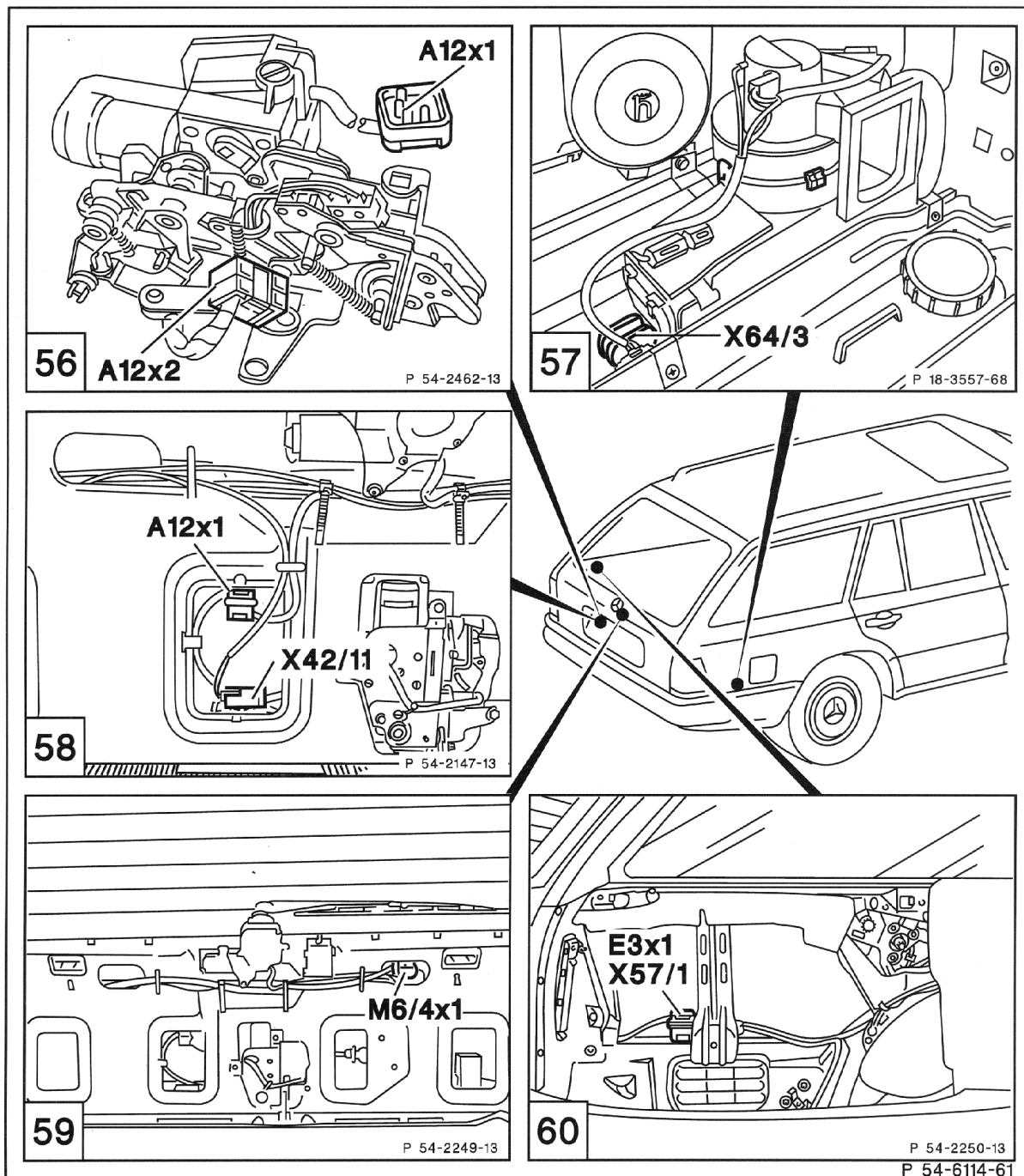
- S4x1 Combination switch connector
- S8/2x1 Warning buzzer contact connector (exterior lamps/central locking system)
- X4/1 Terminal block (terminal 30, interior)

- X6 Terminal block (terminal 58d) (2-pole)
- X18 Interior/taillamp harness connector (8-pole)
- X20 Stop lamp switch connector (2-pole)



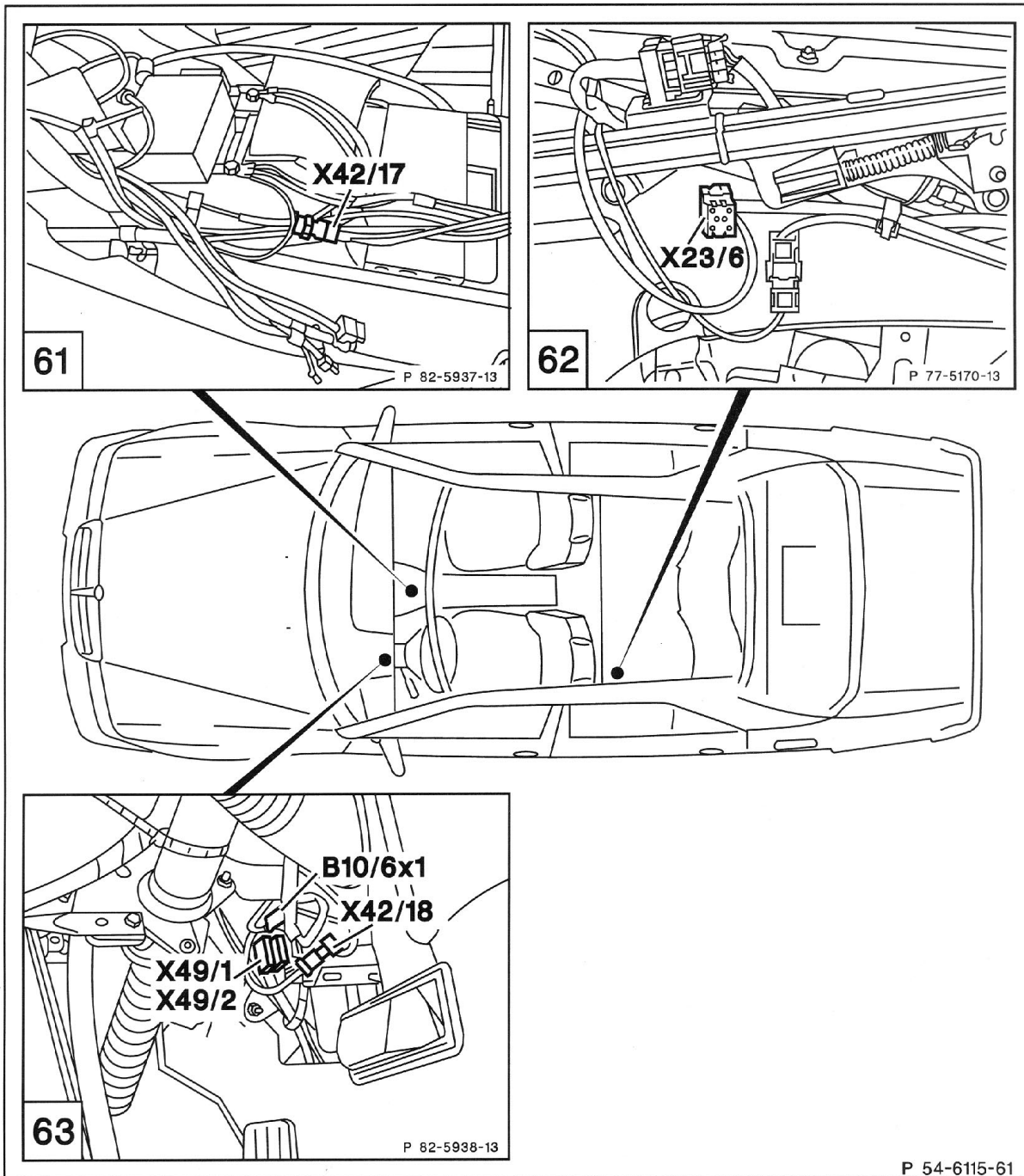
B10/5x1 Outside temperature sensor connector
 X23/3 Soft top/interior connector (14-pole)
 X23/4 Roll bar/power windows connector (2-pole)

X62/8 Rear axle multiple circuit junction connector



- A12x1 Tailgate closing assist connector
- A12x2 Tailgate microswitch connector
- E3x1 Left taillamp unit connector
- M6/4x1 Rear window wiper motor connector

- X42/11 Harness connector (tailgate) (3-pole)



- B10/6x1 Evaporator temperature sensor connector
- X23/6 Soft top harness/soft top limit switch connector (4-pole)
- X42/17 Anti-theft alarm starter/starter lock-out connector (2-pole)

- X42/18 Anti-theft alarm starter lock-out connector (6-pole)
- X49/1 Backup lamp switch connector
- X49/2 Backup lamp/starter lock-out switch connector